



US00D486355S

(12) **United States Design Patent**
Lyall, III

(10) **Patent No.:** **US D486,355 S**

(45) **Date of Patent:** **** Feb. 10, 2004**

(54) **BREW BASKET FOR COFFEE PACK**

(75) **Inventor:** **Lucian H. Lyall, III**, Coto De Caza,
CA (US)

(73) **Assignee:** **Wilbur Curtis Company, Inc.**,
Montebello, CA (US)

(**) **Term:** **14 Years**

(21) **Appl. No.:** **29/172,828**

(22) **Filed:** **Dec. 17, 2002**

(51) **LOC (7) Cl.** **07-99**

(52) **U.S. Cl.** **D7/400**

(58) **Field of Search** D7/400; D23/209;
99/315, 295, 323, 306; 210/474, 238, 248,
455

(56) **References Cited**

U.S. PATENT DOCUMENTS

- 3,610,132 A * 10/1971 Martin et al. 99/295
- D225,078 S * 11/1972 Martin et al. D7/400
- 4,191,100 A 3/1980 Marotta
- 4,303,525 A 12/1981 Stover
- 4,656,932 A * 4/1987 Kopp 99/295
- 4,739,697 A * 4/1988 Roberts 99/295
- 4,765,896 A 8/1988 Hartley et al.
- 5,231,918 A 8/1993 Grzywna
- 5,287,797 A 2/1994 Grykiewicz et al.

- D389,697 S * 1/1998 Smit D7/400
- 5,858,437 A 1/1999 Anson
- 5,910,205 A 6/1999 Patel
- 5,947,004 A 9/1999 Huang
- D423,284 S * 4/2000 Fischer D7/400
- 6,164,191 A 12/2000 Liu et al.
- D442,430 S * 5/2001 Pope D7/400
- 6,250,209 B1 6/2001 Pope
- 6,260,476 B1 * 7/2001 Pope 99/323
- D459,152 S * 6/2002 Fischer et al. D7/400
- D460,660 S * 7/2002 Fischer et al. D7/400
- 6,497,818 B1 * 12/2002 Bunn 210/238

* cited by examiner

Primary Examiner—M. N. Pandozzi

(74) *Attorney, Agent, or Firm*—Fulwider Patton Lee &
Utecht, LLP

(57) **CLAIM**

The ornamental design for a as brew basket for coffee pack,
shown and described.

DESCRIPTION

FIG. 1 is a an elevated perspective view;
FIG. 2 is a top view;
FIG. 3 is a front view;
FIG. 4 is a back view;
FIG. 5 is a bottom view; and,
FIG. 6 is a side view.

1 Claim, 3 Drawing Sheets

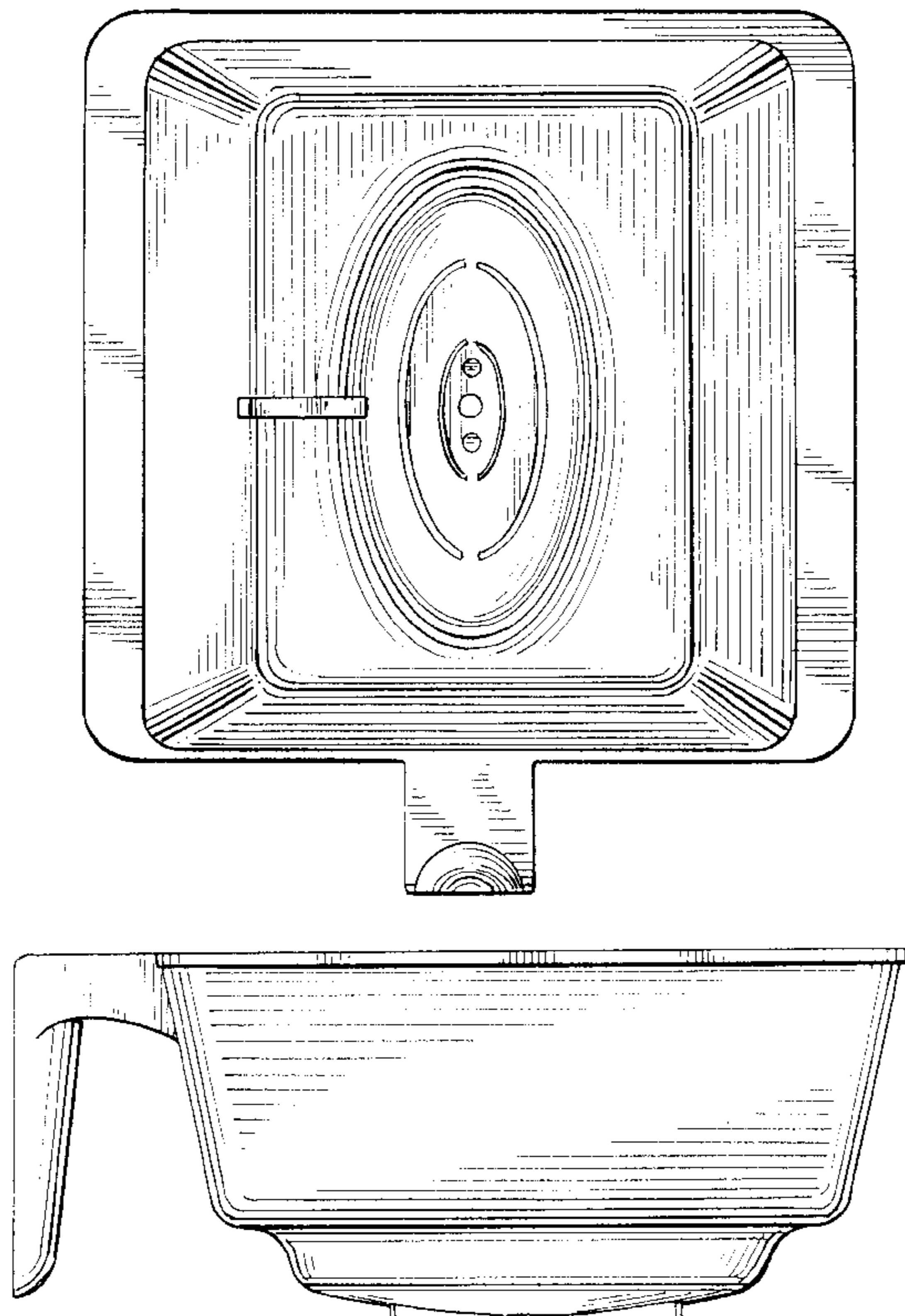


FIG. 1

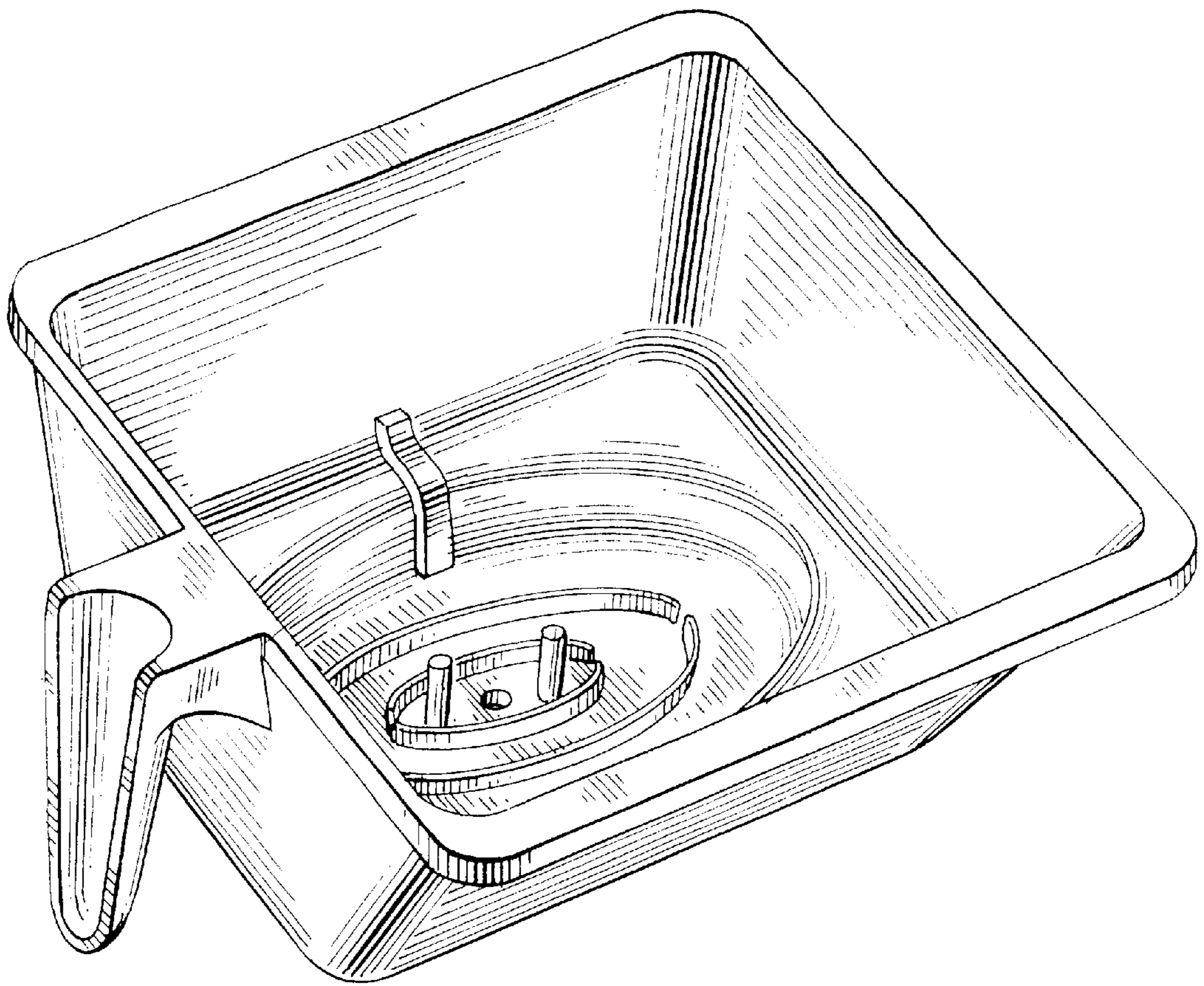


FIG. 2

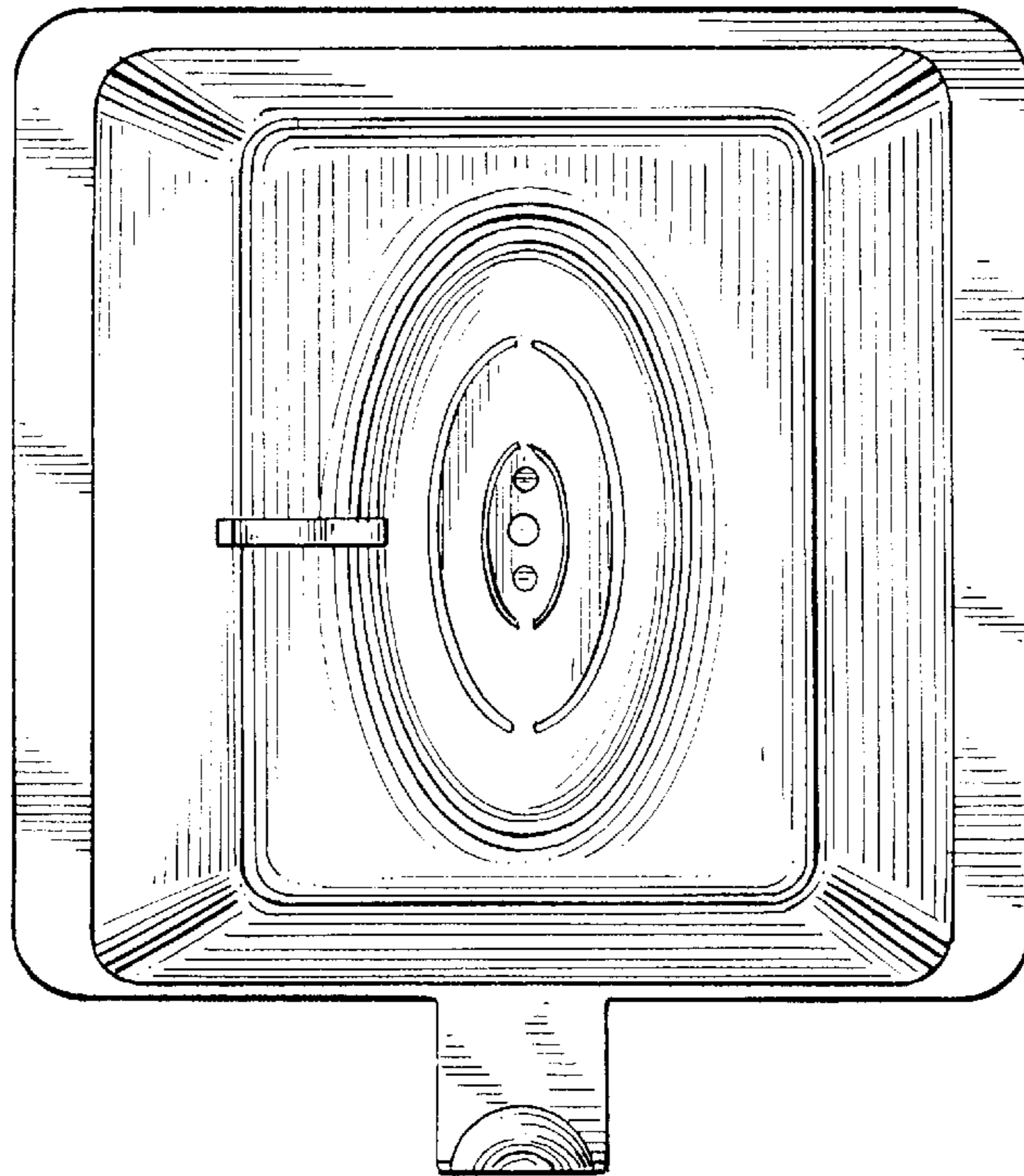


FIG. 3

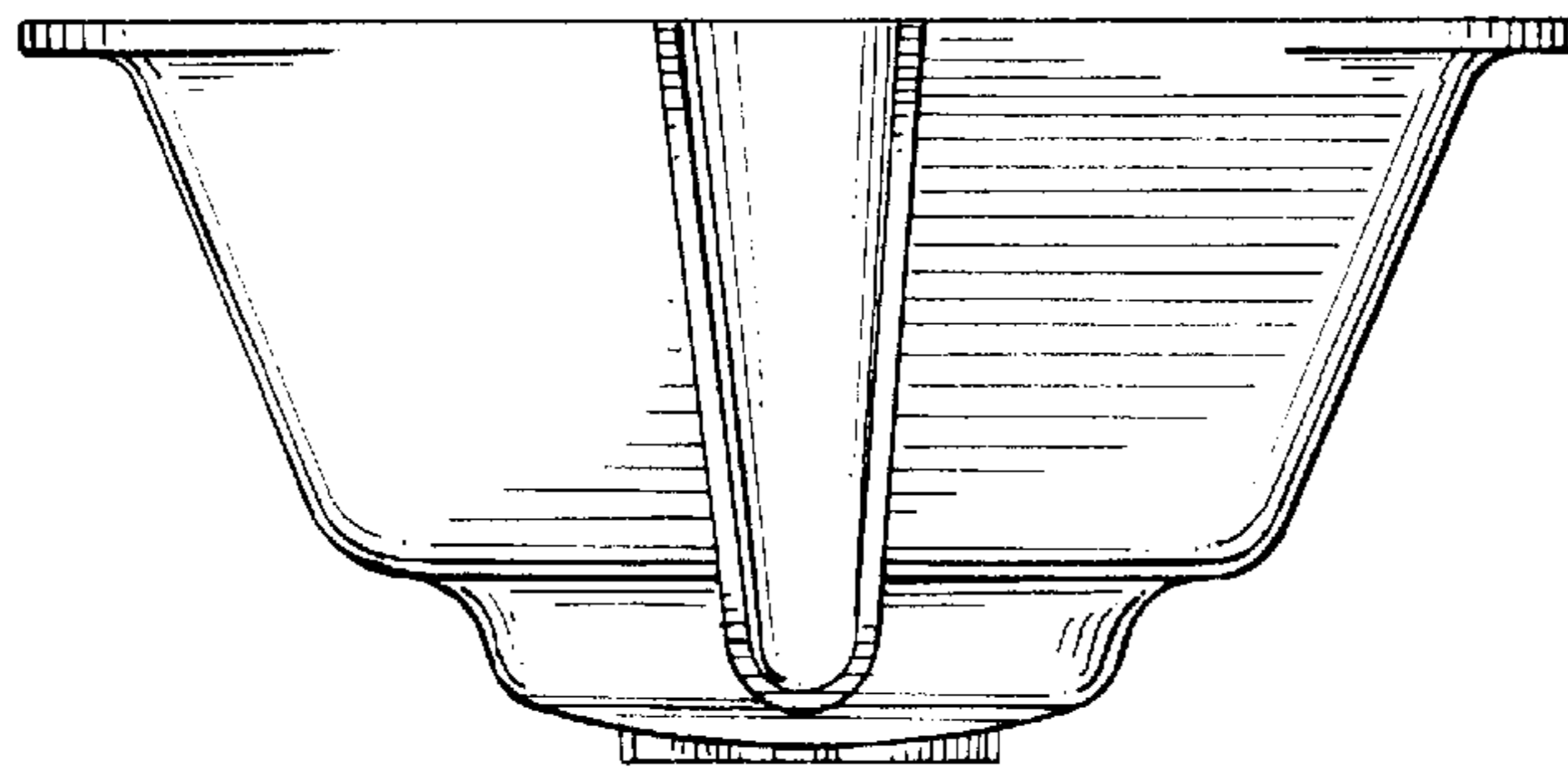


FIG. 4

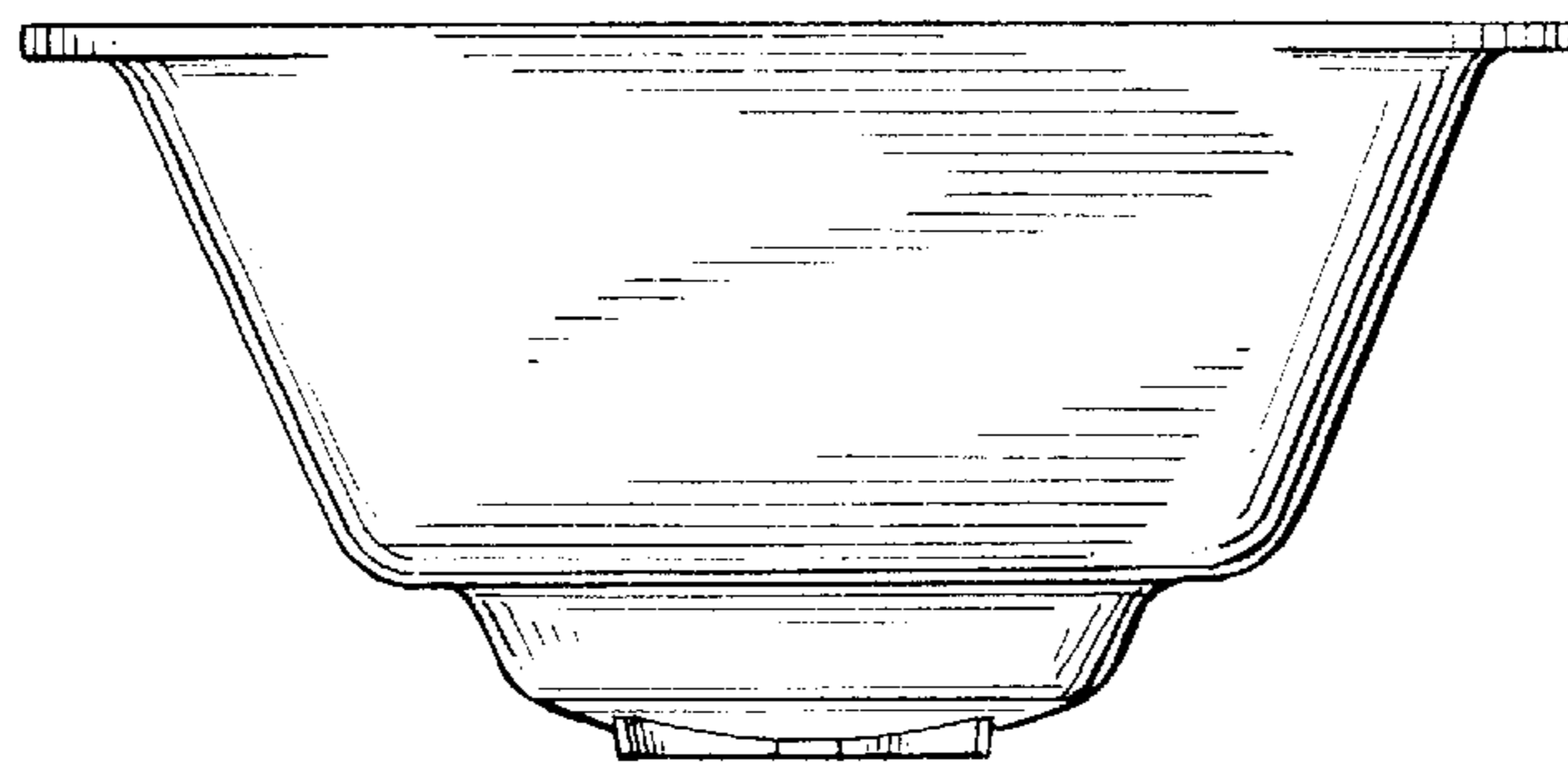


FIG. 5

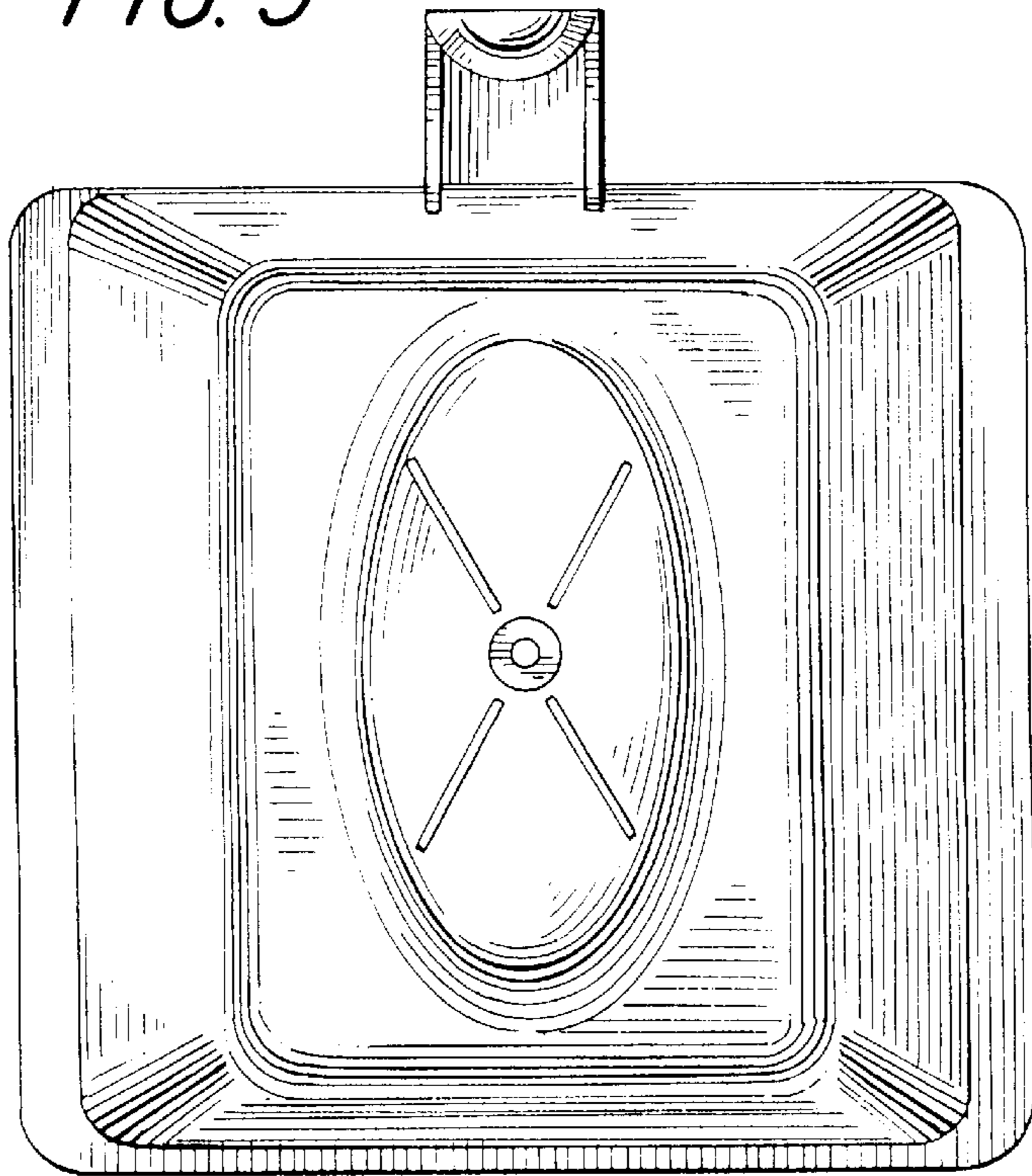


FIG. 6

