



US00D486353S

(12) **United States Design Patent**  
**Chen**

(10) **Patent No.:** **US D486,353 S**

(45) **Date of Patent:** **\*\* Feb. 10, 2004**

(54) **MOTOR BASE FOR A FOOD PROCESSOR**

(76) Inventor: **Ming-Sung Chen**, No. 9, Lane 471,  
Chung-Shan S. Rd., Yung-Kang City,  
Tainan Hsien (TW)

(\*\*) Term: **14 Years**

(21) Appl. No.: **29/177,330**

(22) Filed: **Mar. 7, 2003**

(51) **LOC (7) Cl.** ..... **31-00**

(52) **U.S. Cl.** ..... **D7/386**

(58) **Field of Search** ..... D7/376-386; 99/509-511;  
241/30, 33, 101.01, 301; 366/197-201,  
349

(56) **References Cited**

**U.S. PATENT DOCUMENTS**

D200,494 S \* 3/1965 Bezark, Jr. .... D7/386

D228,485 S \* 10/1973 Cabell ..... D7/378

\* cited by examiner

*Primary Examiner*—Caron D. Veynar

(74) *Attorney, Agent, or Firm*—Jackson Walker L.L.P.

(57) **CLAIM**

The ornamental design for a motor base for a food processor,  
as shown and described.

**DESCRIPTION**

FIG. 1 is a perspective view of a motor base for a food  
processor, showing my new design;

FIG. 2 is a front elevational view thereof;

FIG. 3 is a rear elevational view thereof;

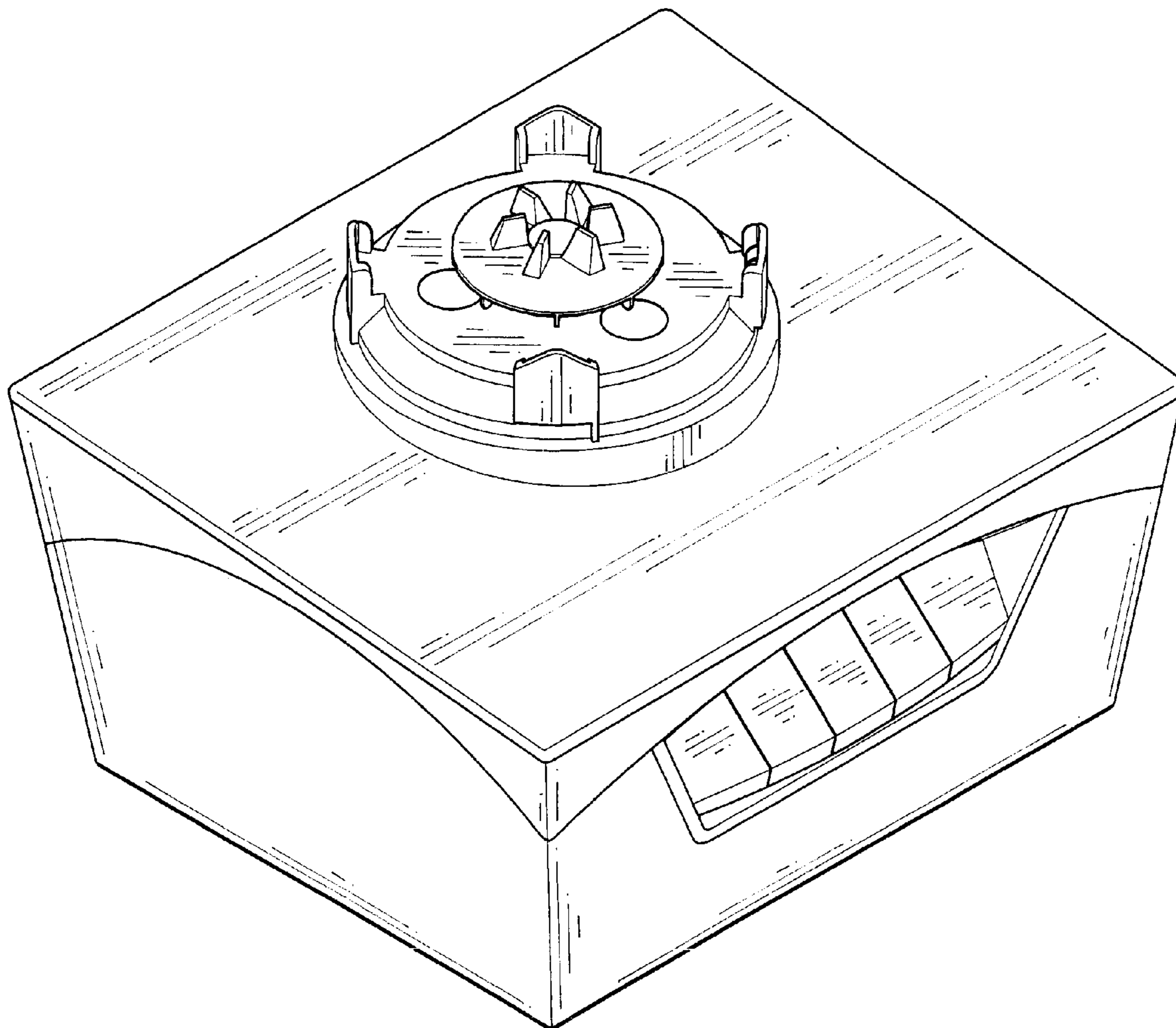
FIG. 4 is a left elevational view thereof;

FIG. 5 is a right elevational view thereof;

FIG. 6 is a top plan view thereof; and,

FIG. 7 is a bottom plan view thereof.

**1 Claim, 4 Drawing Sheets**



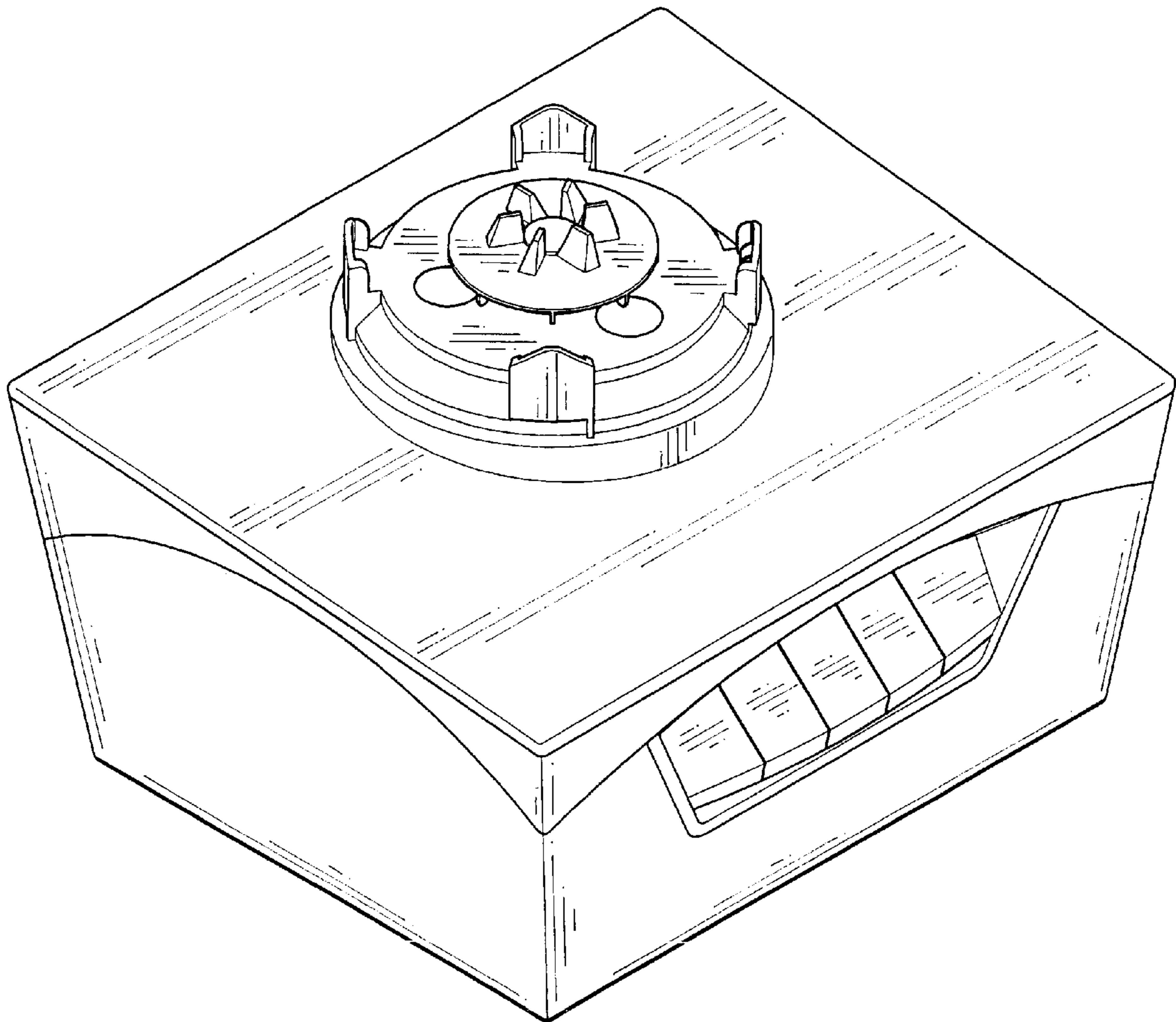


FIG.1

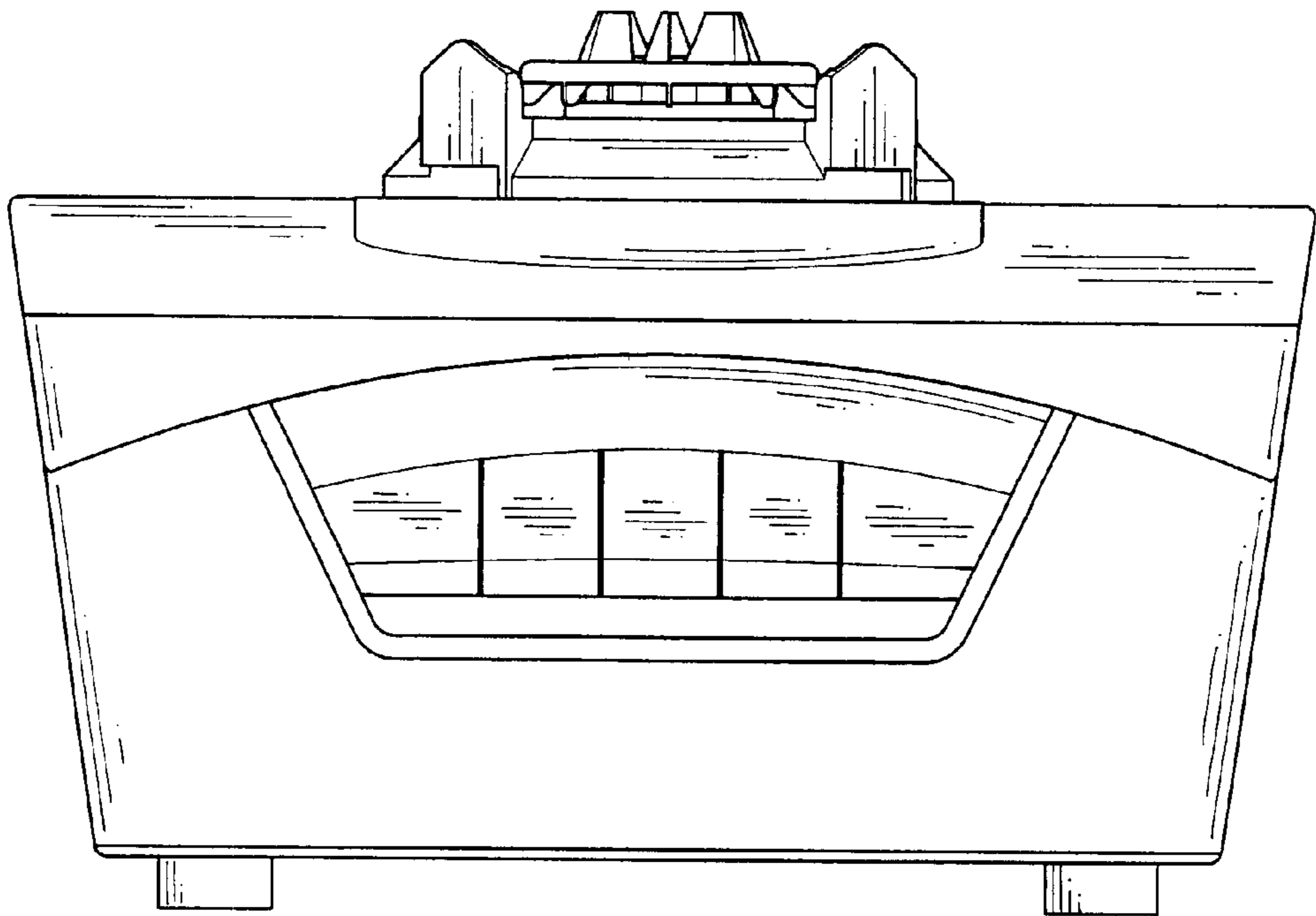


FIG. 2

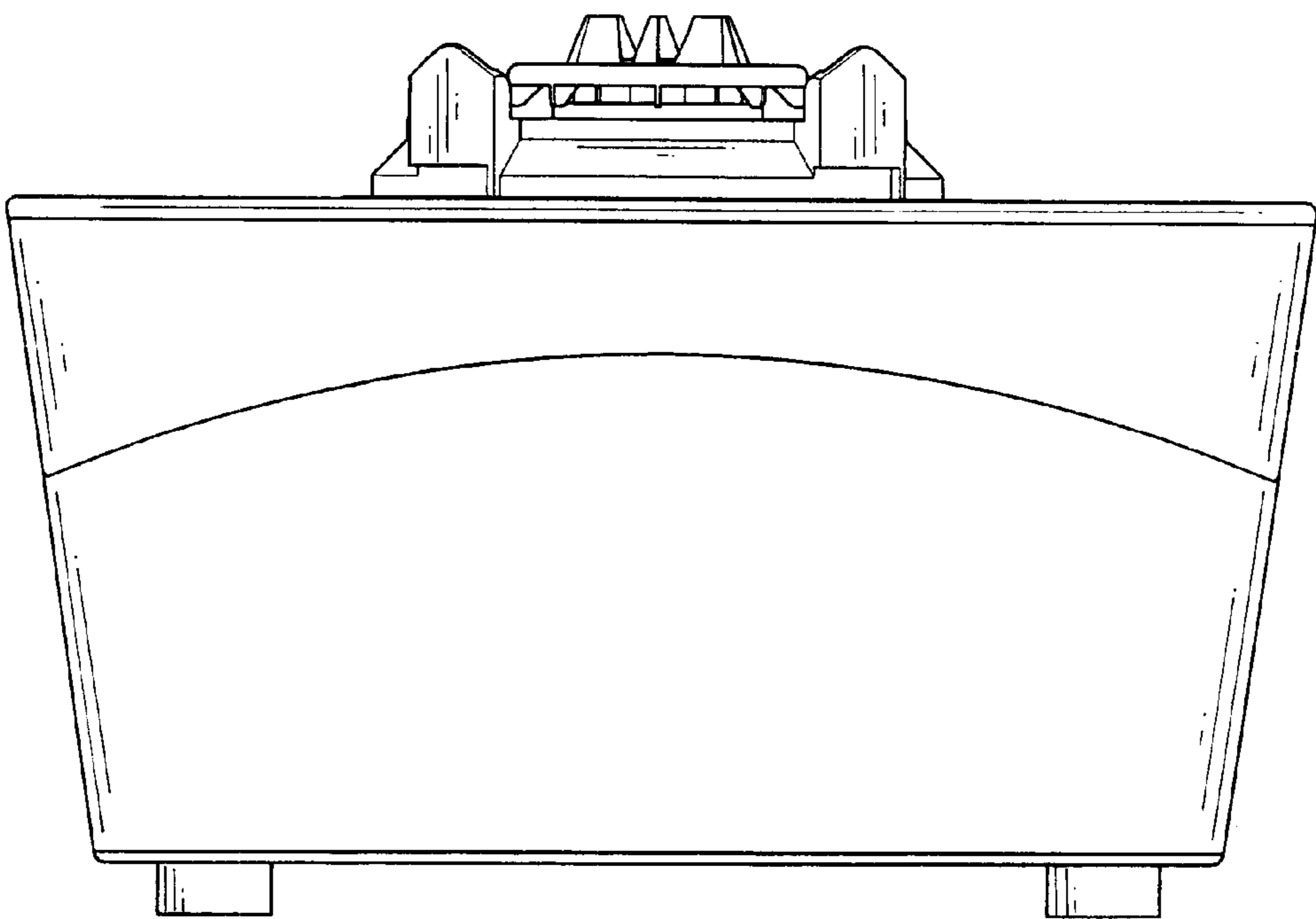


FIG. 3

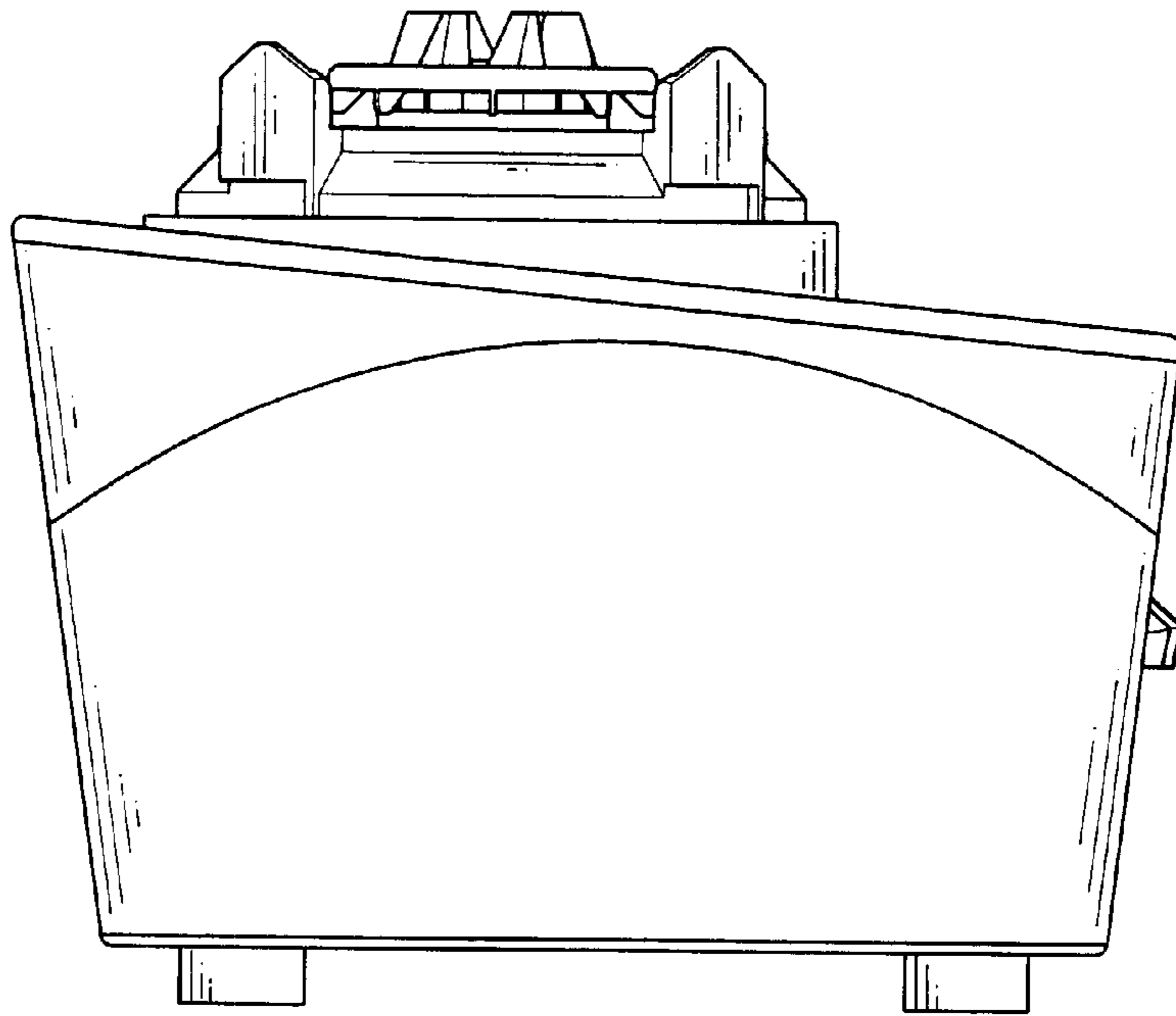


FIG. 4

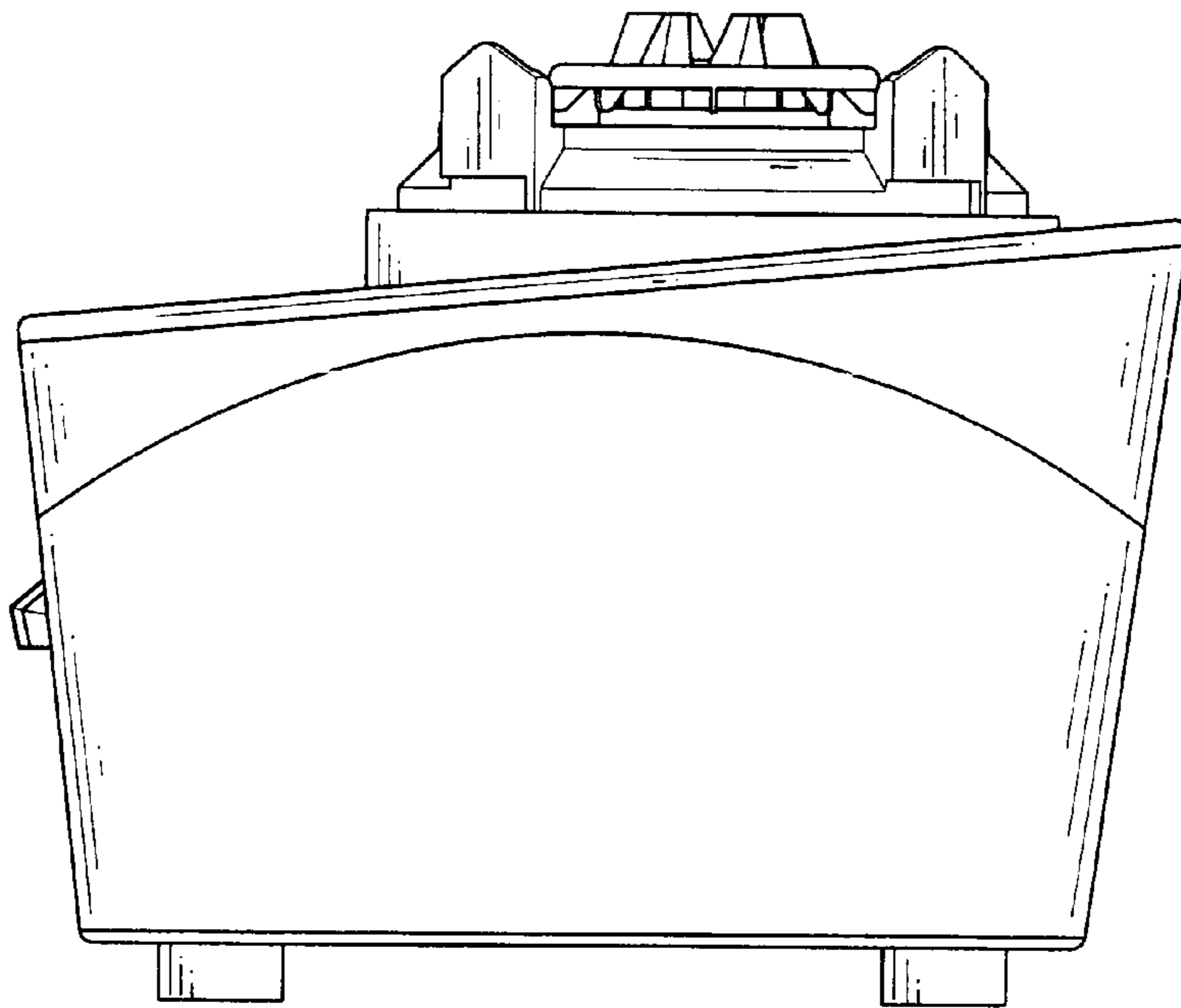


FIG. 5

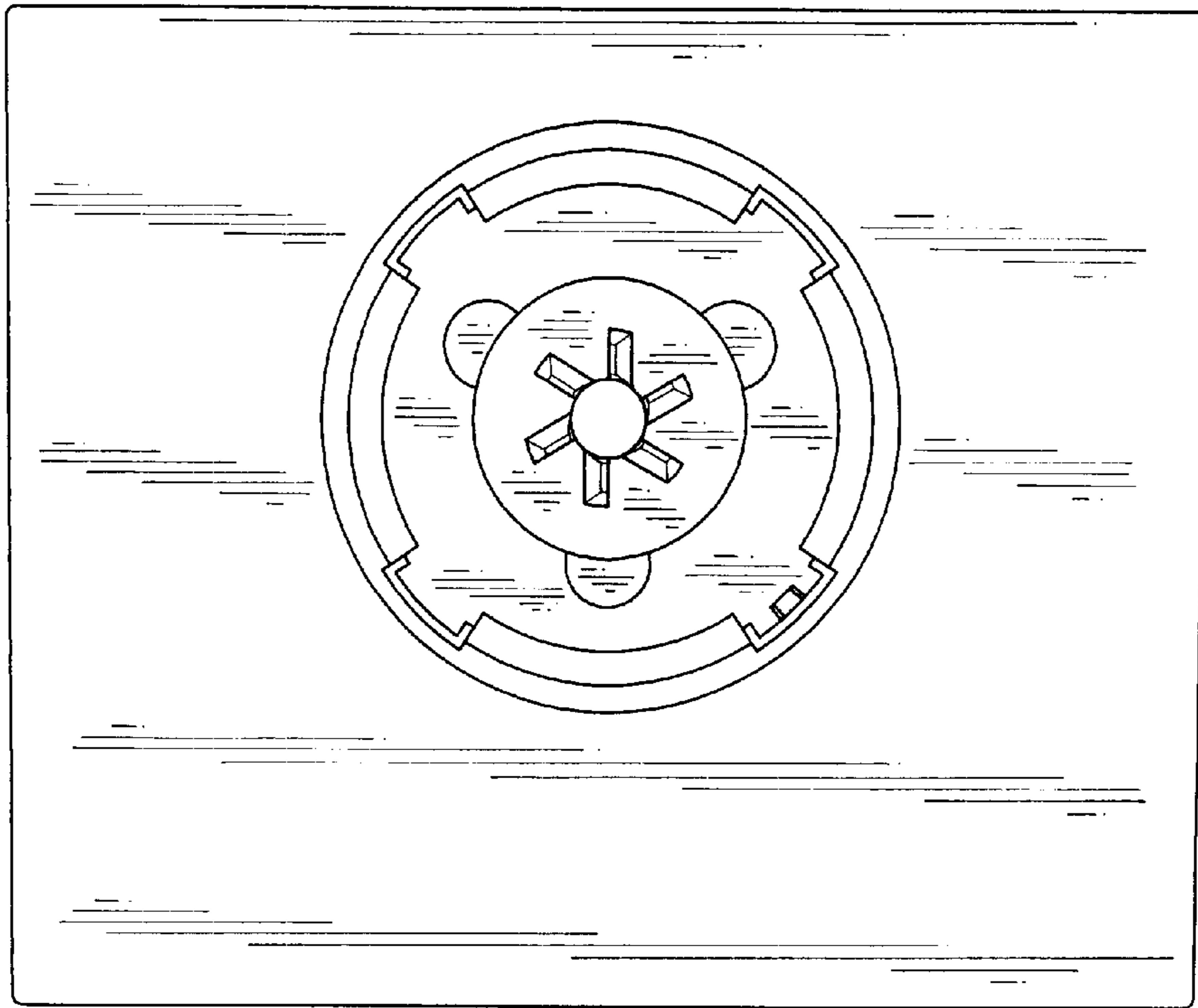


FIG. 6

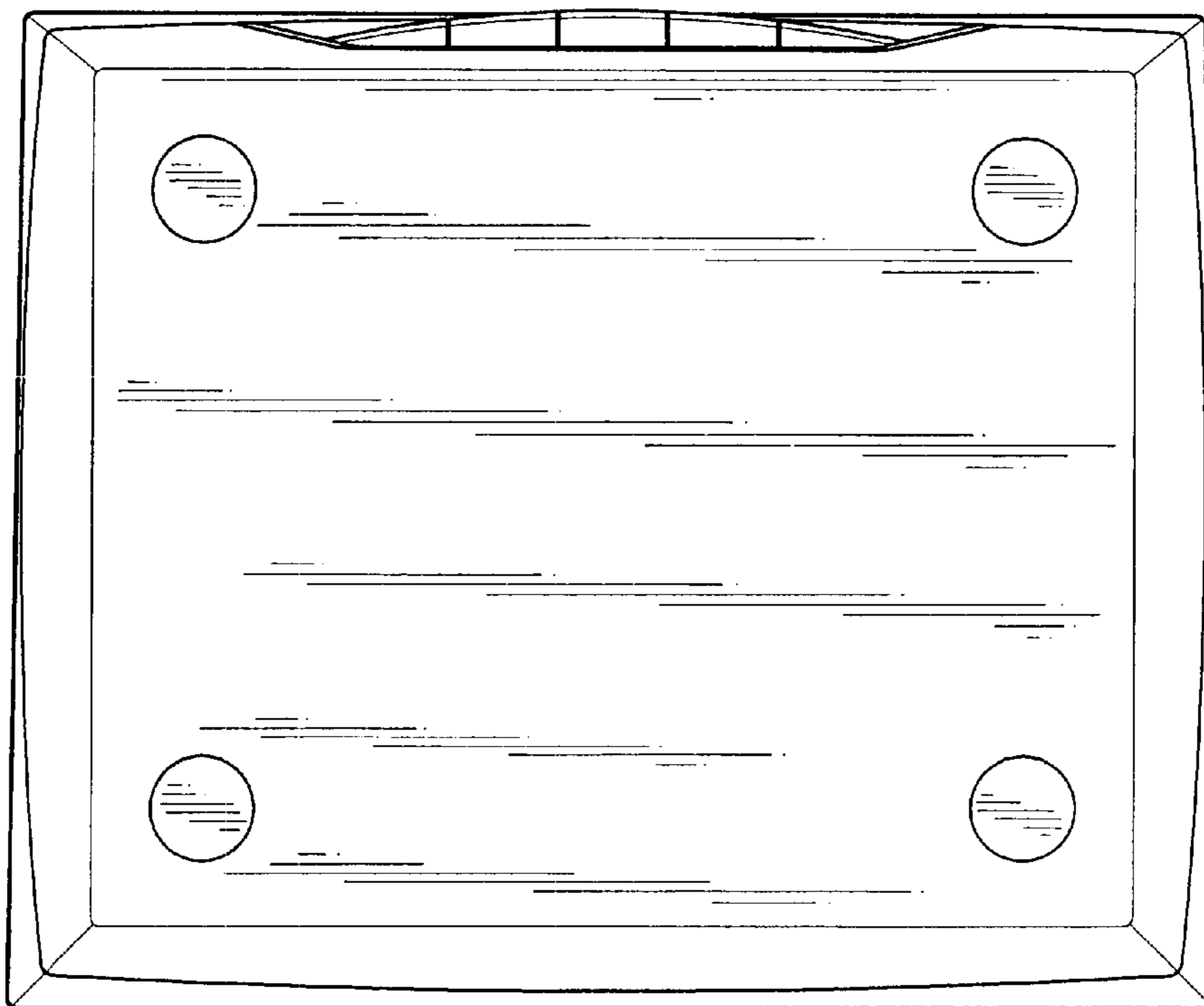


FIG. 7