



US00D486352S

(12) **United States Design Patent**
Park

(10) **Patent No.:** **US D486,352 S**

(45) **Date of Patent:** **** Feb. 10, 2004**

(54) **PRESSURE COOKER**

(76) Inventor: **Jong Peter Park**, 1630 Summitridge,
Diamond Bar, CA (US) 91765

(**) Term: **14 Years**

(21) Appl. No.: **29/163,026**

(22) Filed: **Jun. 28, 2002**

(30) **Foreign Application Priority Data**

Apr. 18, 2002 (KR) 30-2002-11235

(51) **LOC (7) Cl.** **07-02**

(52) **U.S. Cl.** **D7/358**

(58) **Field of Search** D7/323, 354-361,
D7/391-396; 99/324-330, 337, 339, 340,
357, 403, 413; 220/208, 316, 366.1, 573.1-573.5,
912

(56) **References Cited**

U.S. PATENT DOCUMENTS

3,801,331 A * 4/1974 Sano et al. 99/403

D345,886 S * 4/1994 Gingele D7/360

D347,963 S * 6/1994 Pretzsch D7/360

5,370,259 A * 12/1994 Cartigny 220/316

D370,827 S * 6/1996 Combe D7/360

D418,007 S * 12/1999 Boughey et al. D7/358

6,263,787 B1 * 7/2001 Tseng et al. 99/413

* cited by examiner

Primary Examiner—Caron D. Veynar

(57) **CLAIM**

The ornamental design for a pressure cooker, as shown.

DESCRIPTION

FIG. 1 is a front perspective view of a pressure cooker showing my new design;

FIG. 2 is a front view thereof;

FIG. 3 is a rear view thereof;

FIG. 4 is a side view thereof;

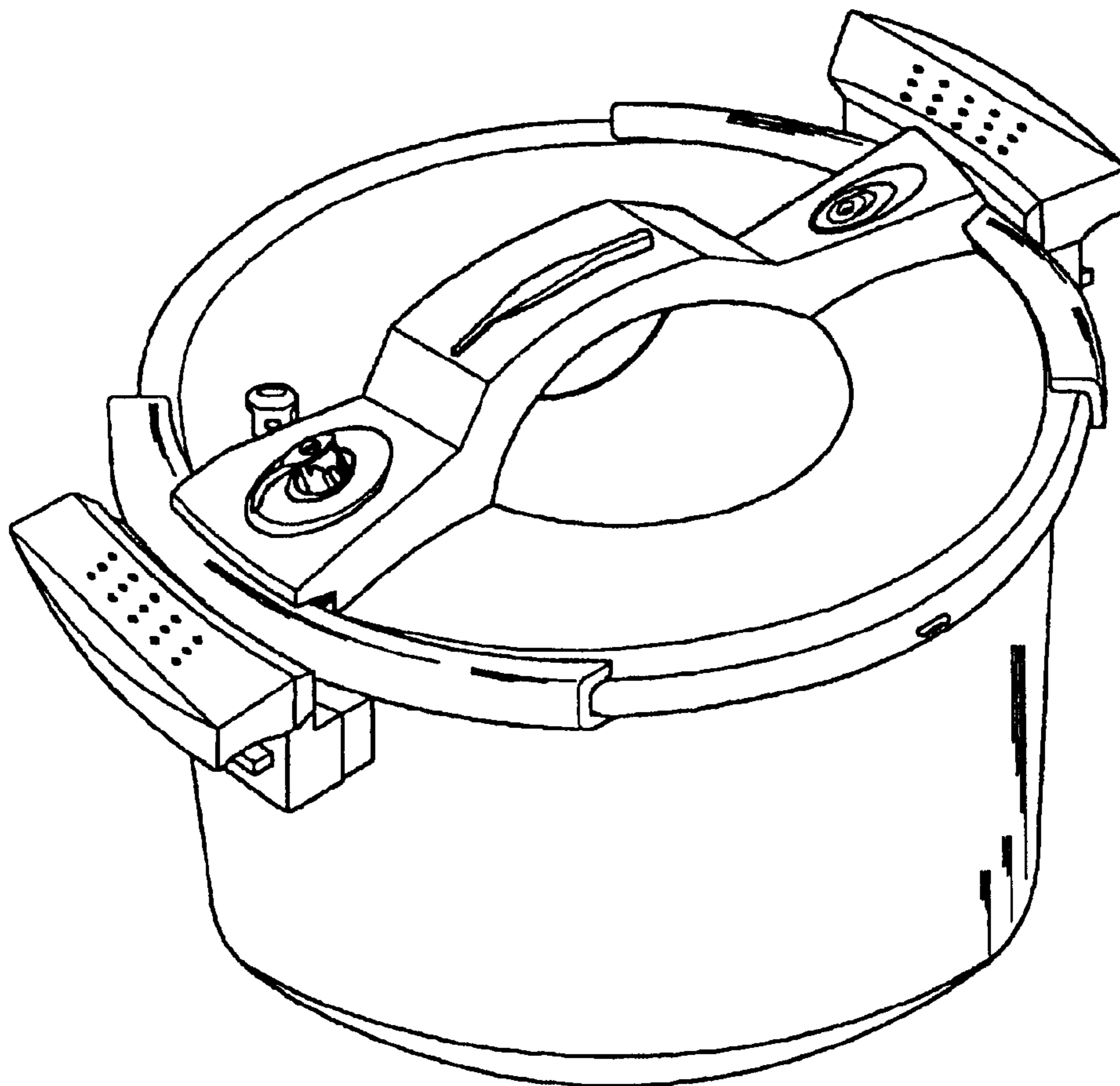
FIG. 5 is a side view thereof opposite FIG. 4;

FIG. 6 is a top plan view thereof;

FIG. 7 is a bottom plan view thereof; and,

FIG. 8 is an exploded perspective view thereof.

1 Claim, 5 Drawing Sheets



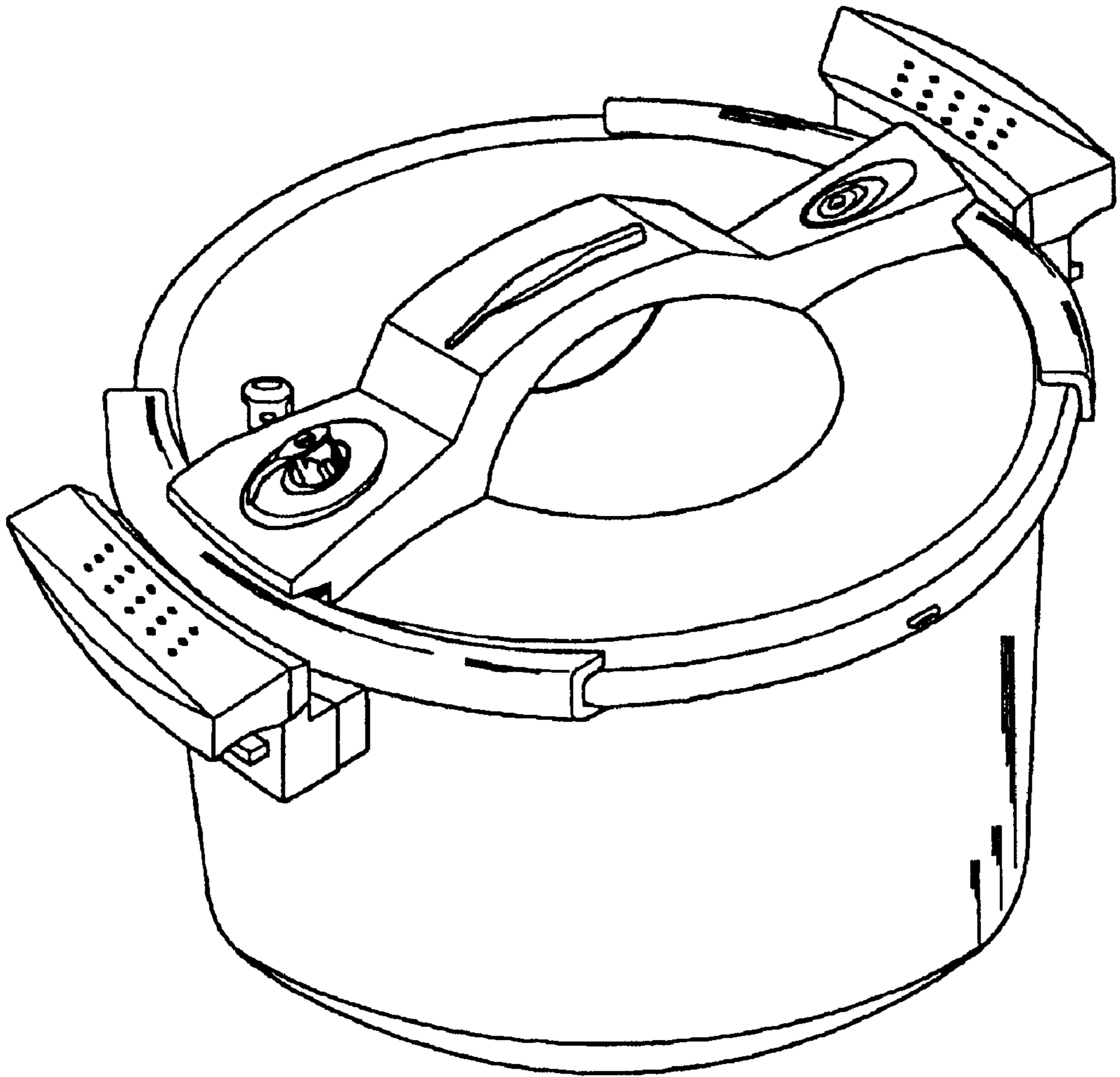


Fig. 1

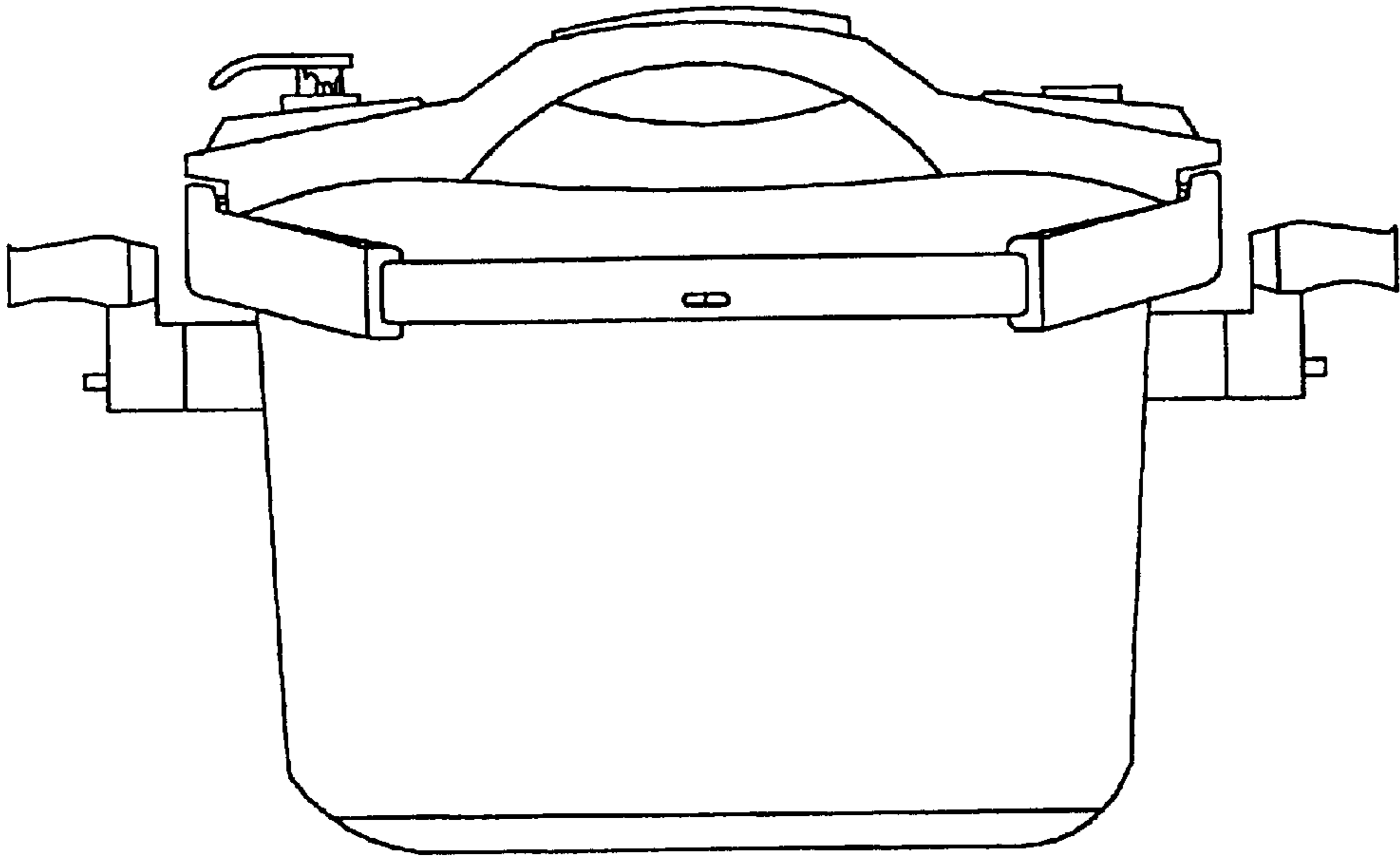


Fig. 2

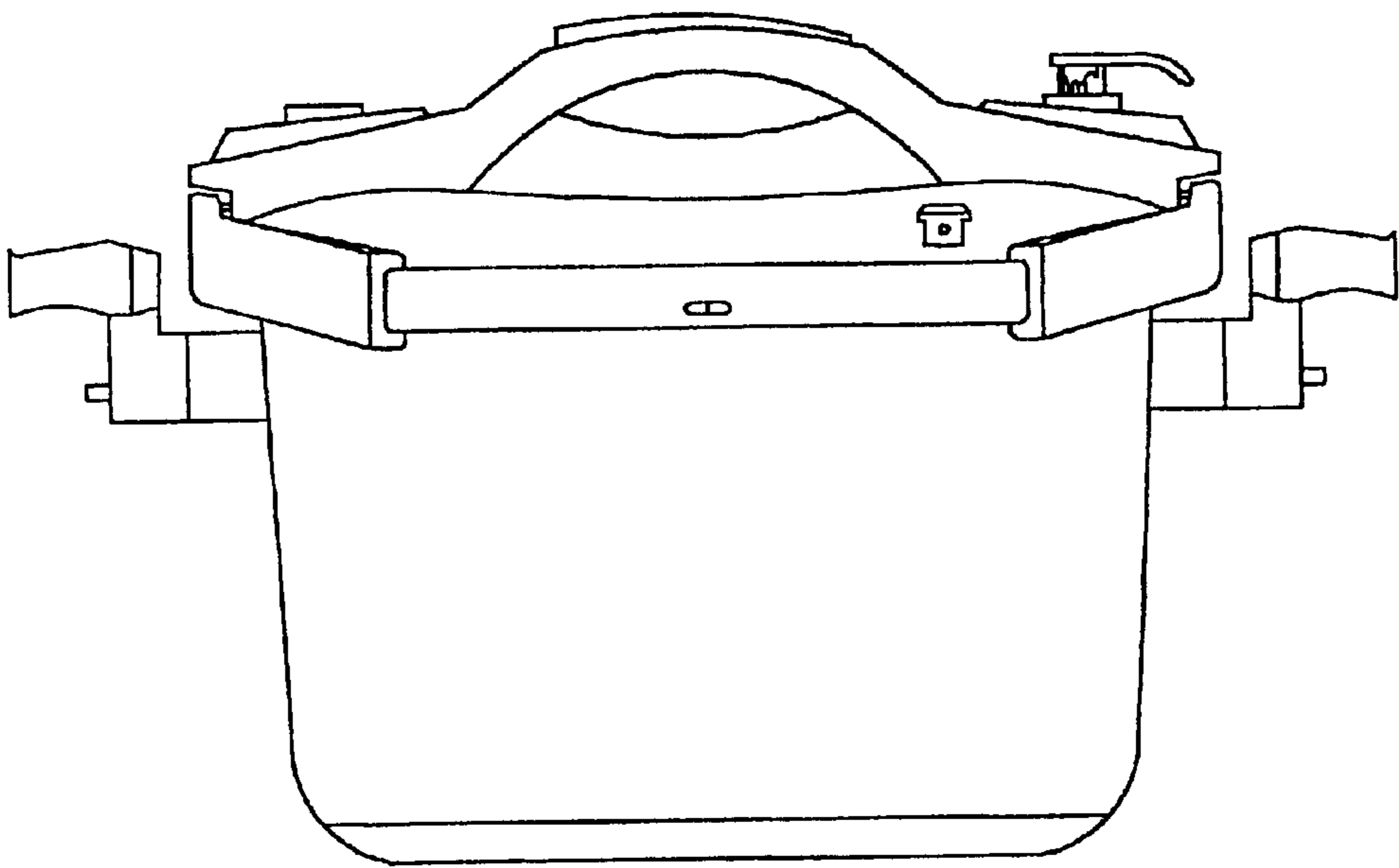


Fig. 3

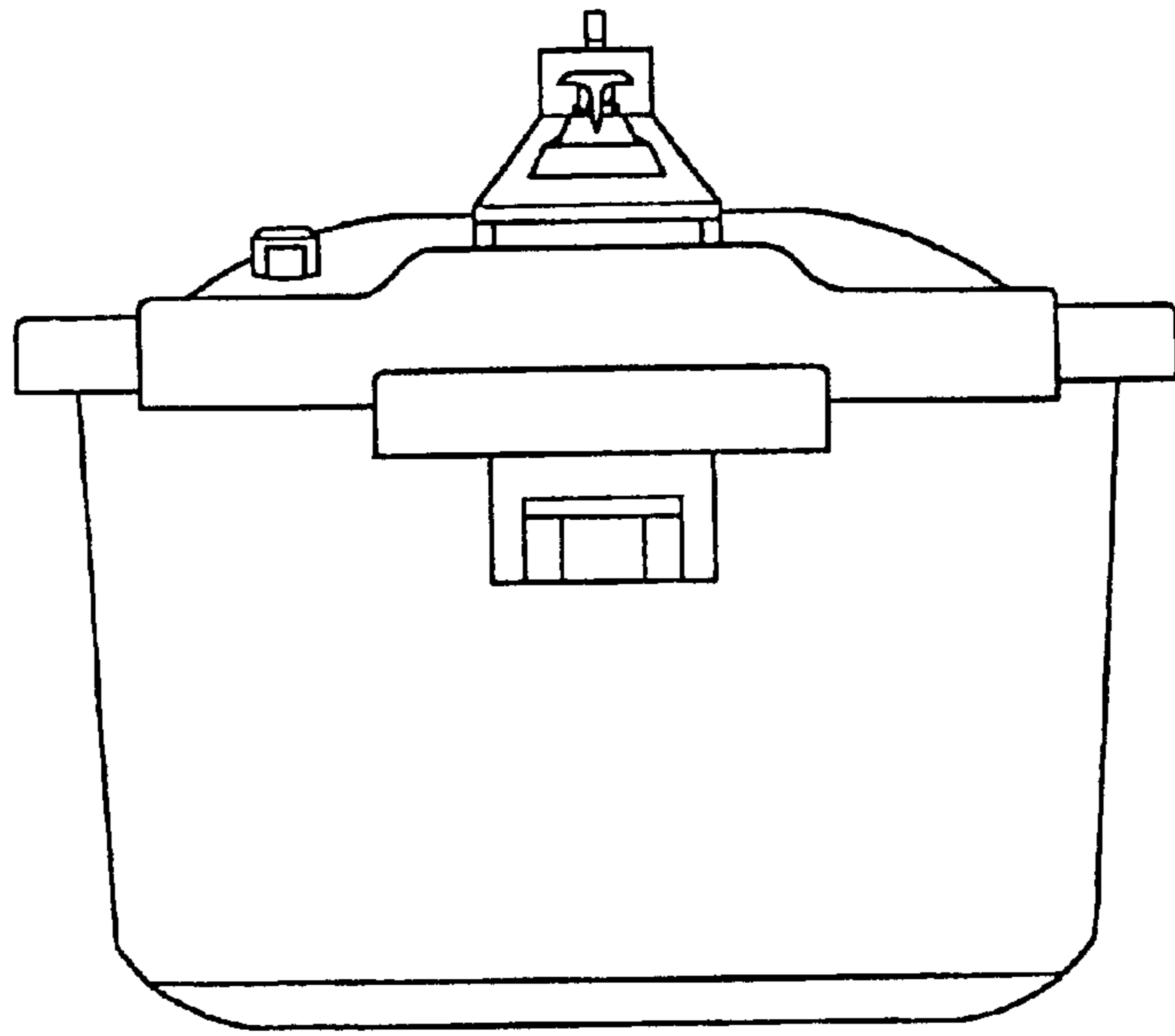


Fig. 4

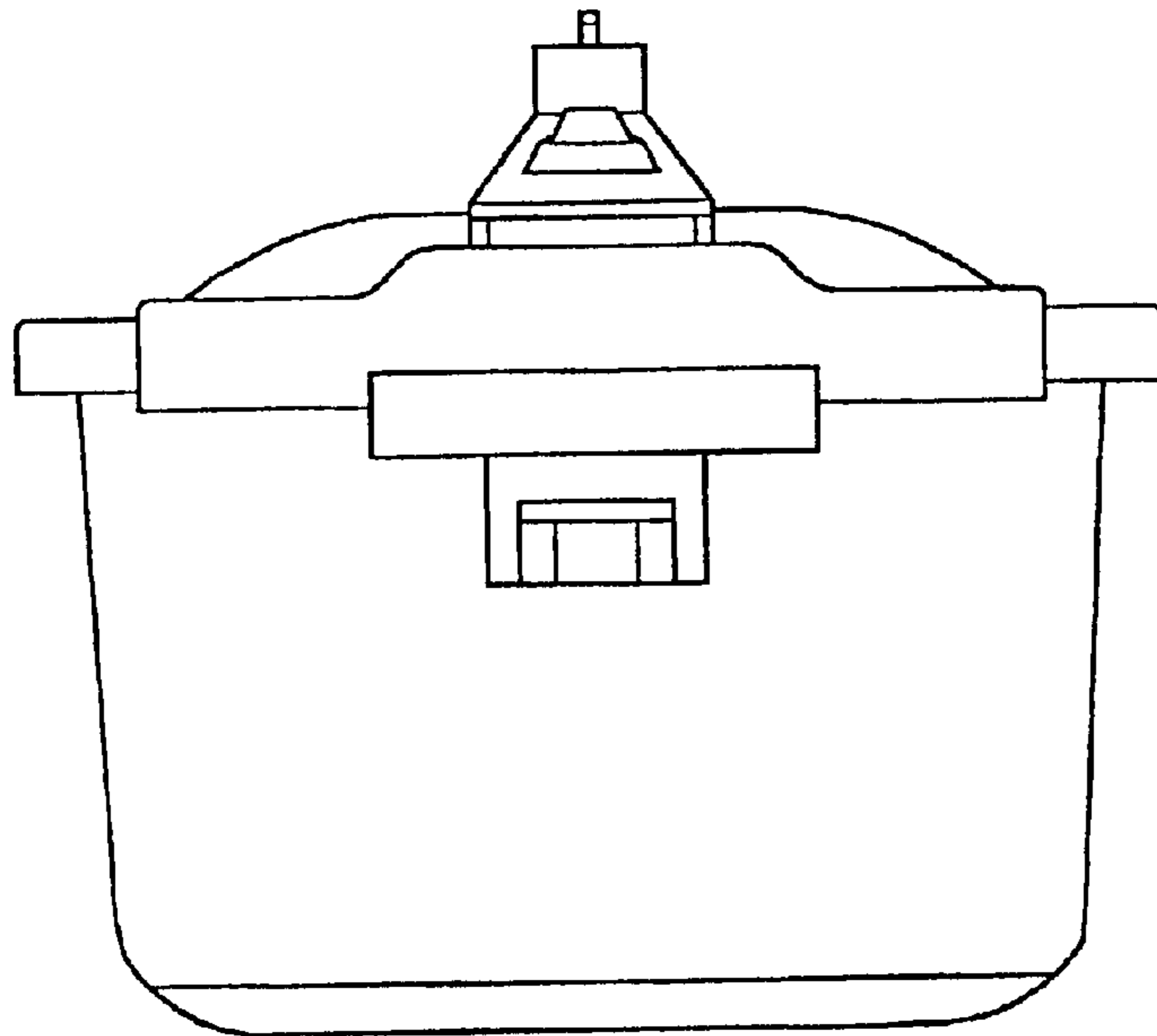


Fig. 5

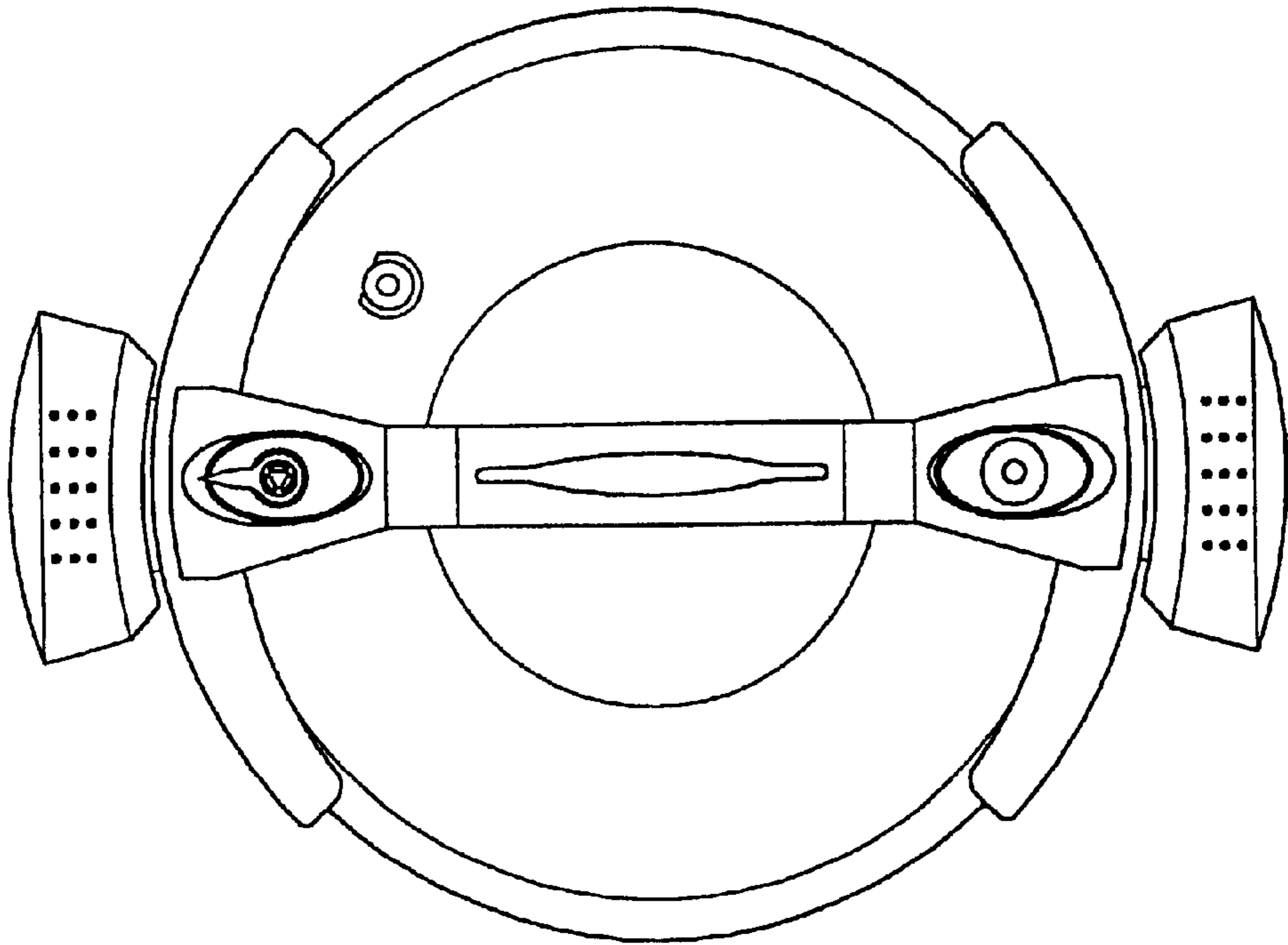


Fig. 6

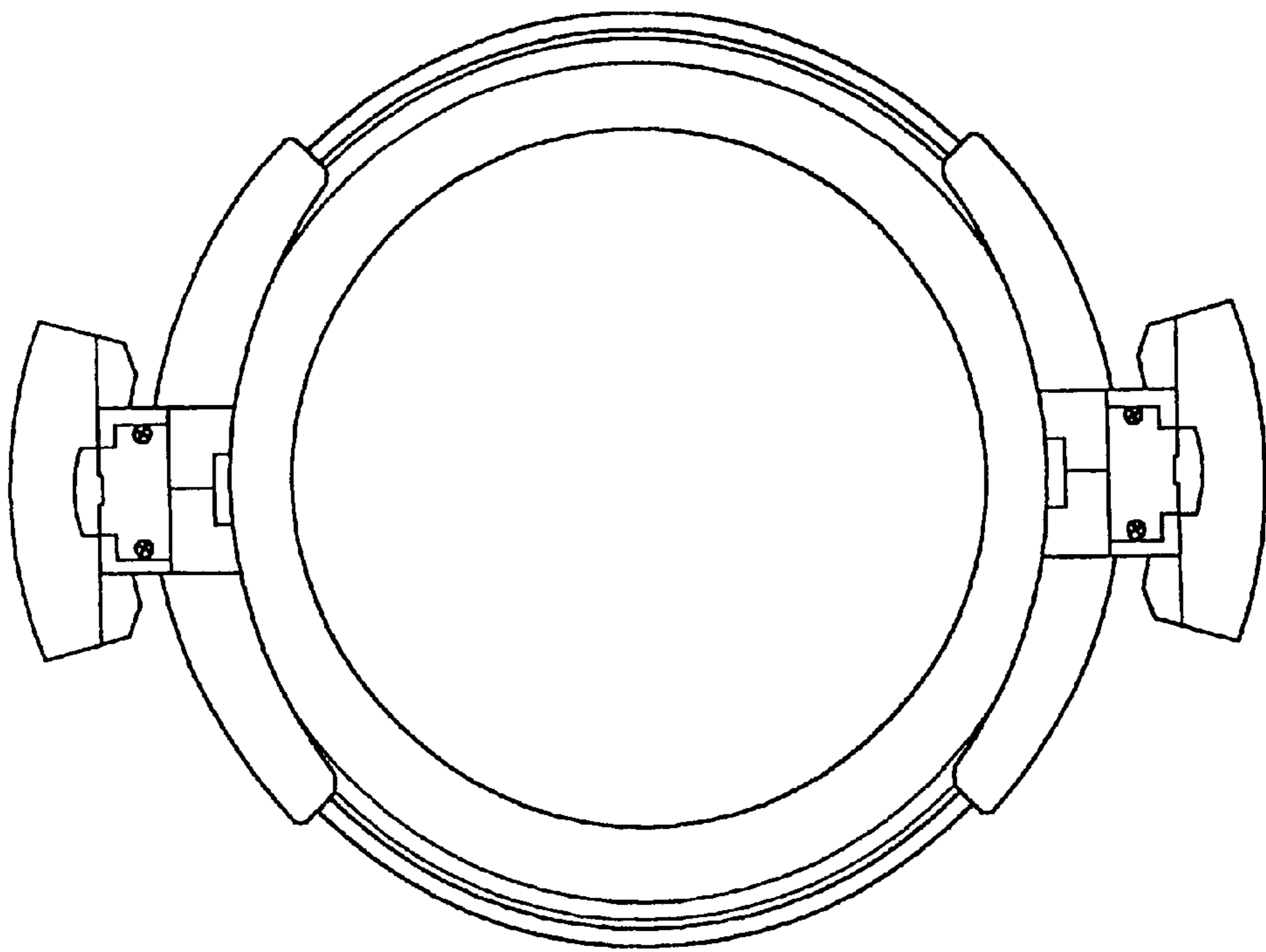


Fig. 7

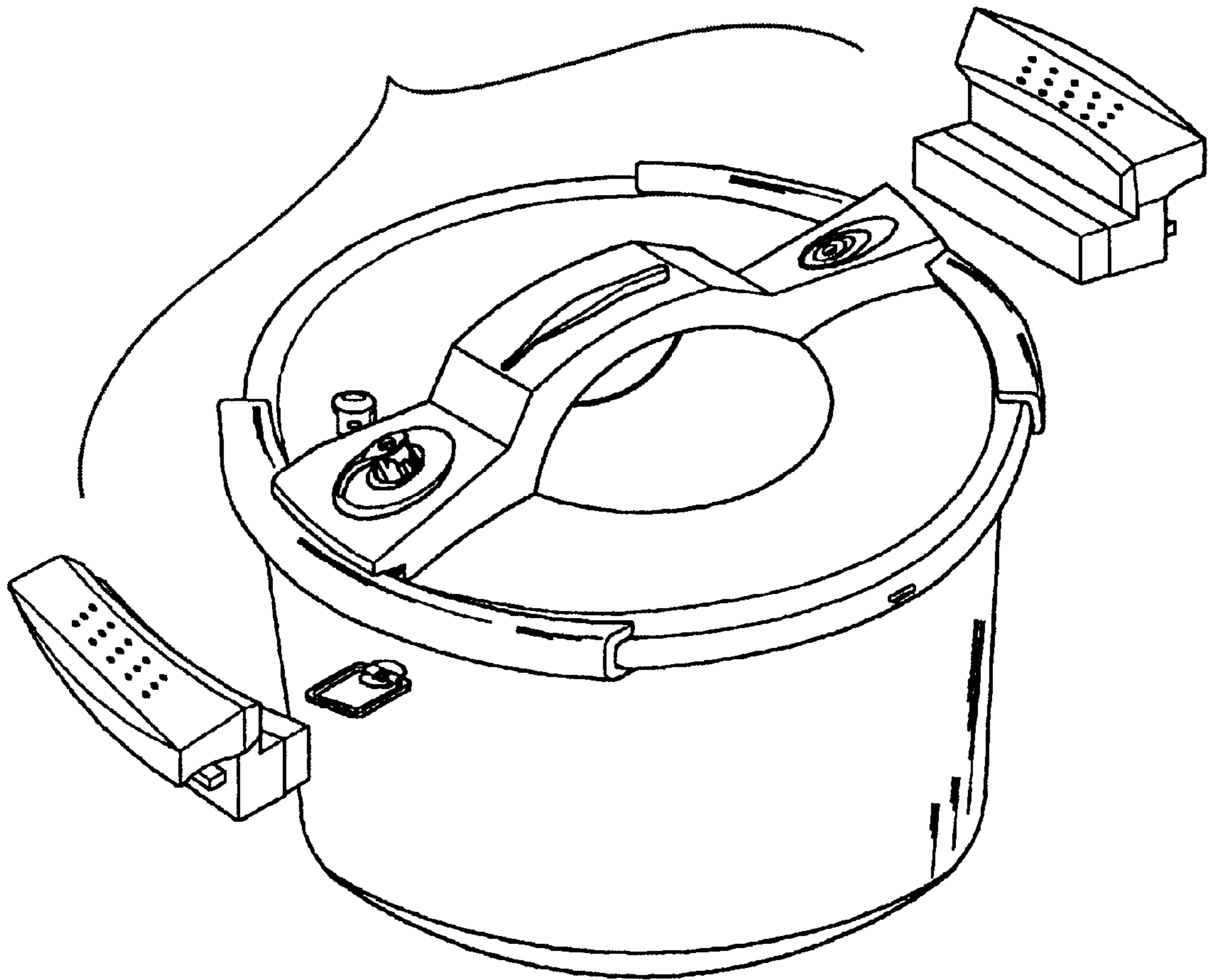


Fig. 8