



US00D486350S

(12) **United States Design Patent**  
**Nichols**

(10) **Patent No.:** **US D486,350 S**

(45) **Date of Patent:** **\*\* Feb. 10, 2004**

(54) **COMBINED GAS COOKTOP AND GRIDDLE**

(75) **Inventor:** **Dan Nichols**, Huntington Beach, CA (US)

(73) **Assignee:** **Dynamic Cooking Systems, Inc.**, Huntington Beach, CA (US)

(\*\*) **Term:** **14 Years**

(21) **Appl. No.:** **29/178,551**

(22) **Filed:** **Mar. 26, 2003**

**Related U.S. Application Data**

(62) Division of application No. 29/154,220, filed on Jan. 17, 2002, now Pat. No. Des. 475,569.

(51) **LOC (7) Cl.** ..... **07-02**

(52) **U.S. Cl.** ..... **D7/346**

(58) **Field of Search** ..... D7/339, 340, 346-349, D7/402, 407-408; 126/19 R, 39 C, 273 R, 273 S, 275 R, 257 E, 273 A; 219/458, 460, 464, 538, 552

(56) **References Cited**

**U.S. PATENT DOCUMENTS**

- 1,748,742 A 2/1930 Thompson et al.
- D108,114 S 1/1938 Burrow
- 2,480,045 A 8/1949 Reeves
- 2,973,524 A 3/1961 Daniels
- D201,939 S 8/1965 Tecton
- 3,923,037 A 12/1975 Donato
- D289,487 S \* 4/1987 Schultz ..... D7/346
- 4,971,024 A 11/1990 Albon et al.

- 5,046,477 A 9/1991 Bennett et al.
- D333,234 S 2/1993 Nichols
- D334,866 S \* 4/1993 Warren ..... D7/407
- 5,372,121 A 12/1994 Castillo et al.
- D372,630 S \* 8/1996 Lewis et al. .... D7/346
- D430,451 S 9/2000 Bordet
- D458,803 S \* 6/2002 Becker et al. .... D7/408

**FOREIGN PATENT DOCUMENTS**

FR 2614677 11/1988

**OTHER PUBLICATIONS**

Frigidaire Electric and Gas Ranges Catalog, copyright Mar. 1999. Frigidaire Self-Cleaning Electric Range. Thermador "Create" Catalog, copyright 1999, p. 13, 48 " Gas Surface/Electric Range, bottom left.

\* cited by examiner

*Primary Examiner*—Sandra L. Morris

(74) *Attorney, Agent, or Firm*—Knobbe, Martens, Olson & Bear, LLP

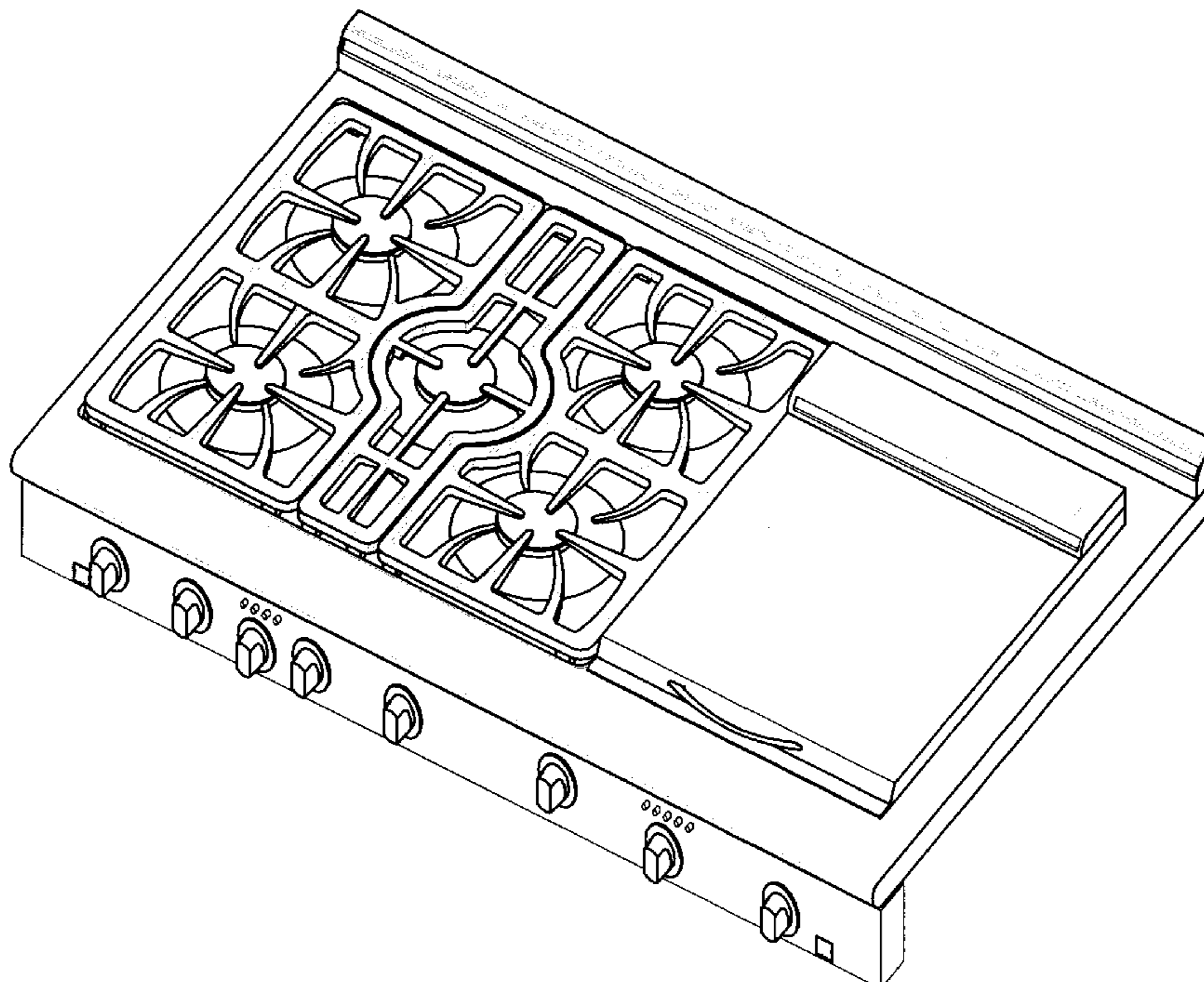
(57) **CLAIM**

The ornamental design for a combined gas cooktop and griddle, as shown and described.

**DESCRIPTION**

FIG. 1 is a perspective view of the invention illustrating a combined gas griddle and griddle; FIG. 2 is a front elevational view thereof; FIG. 3 is a left side elevational view thereof; FIG. 4 is a right side elevational view thereof; and, FIG. 5 is a back elevational view thereof.

**1 Claim, 5 Drawing Sheets**



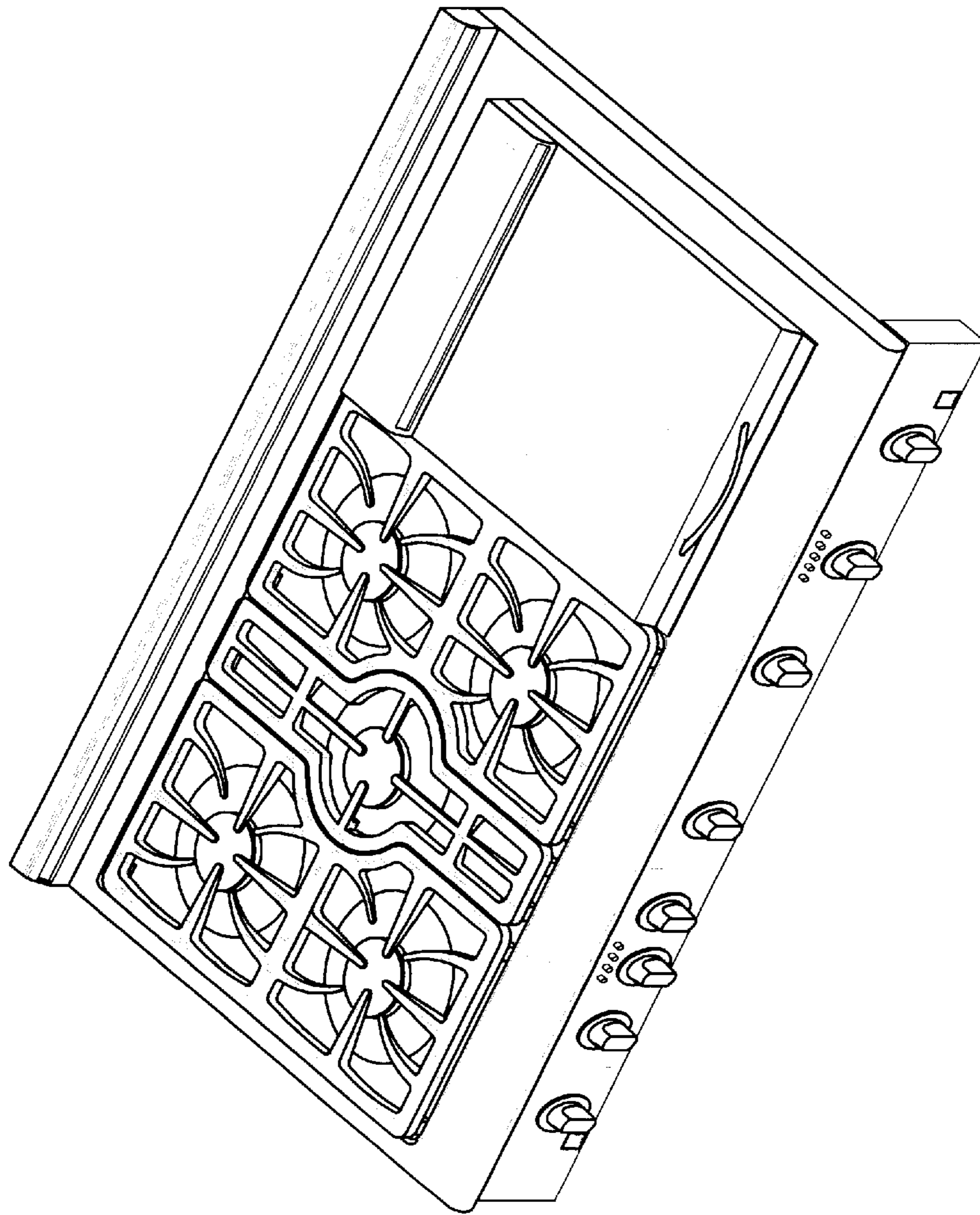
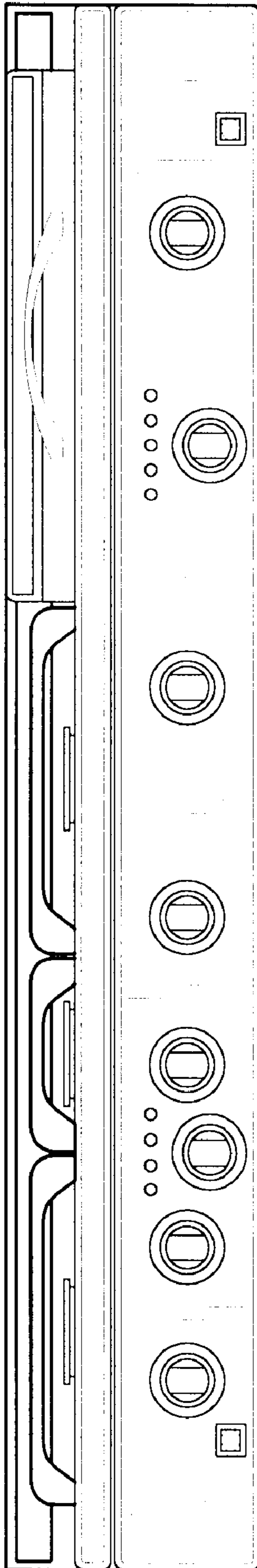
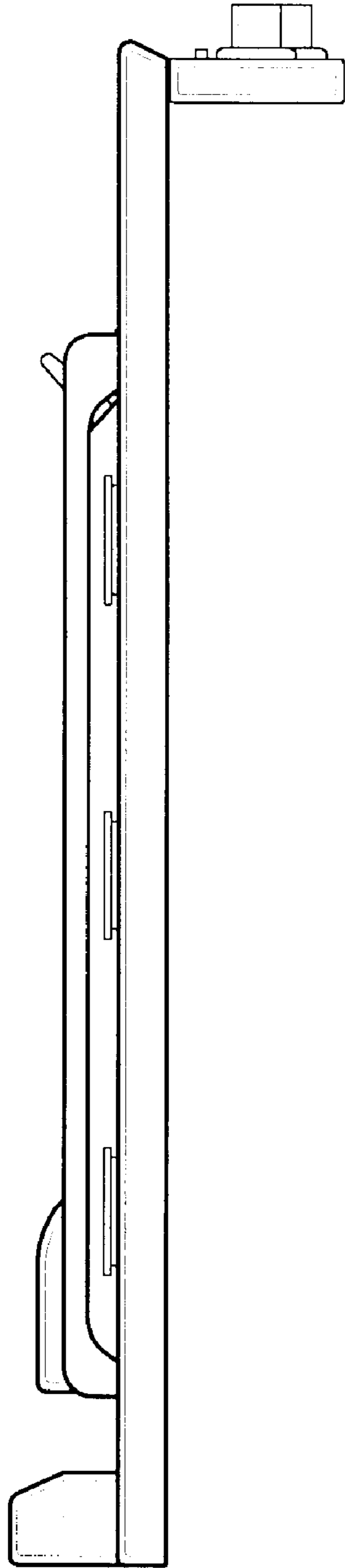


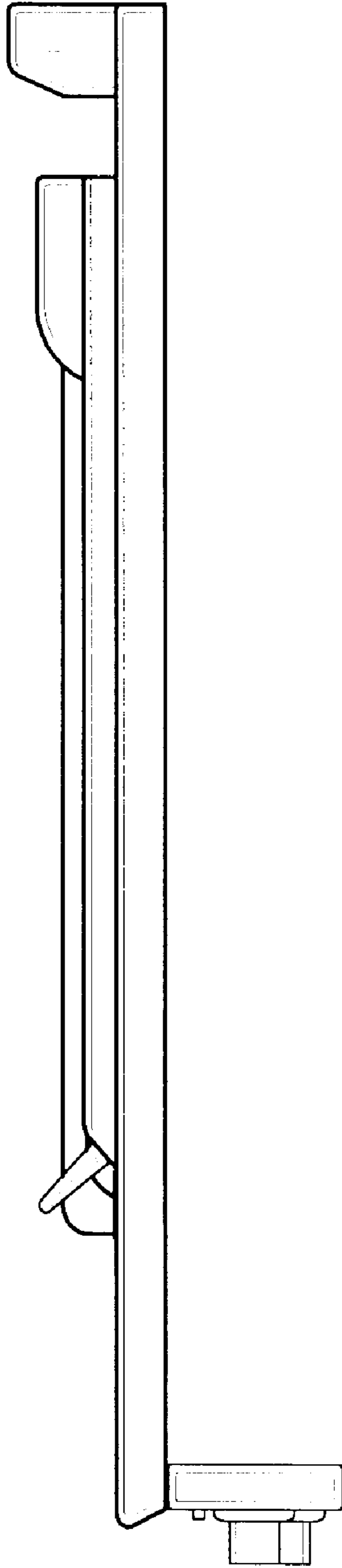
FIG. 1



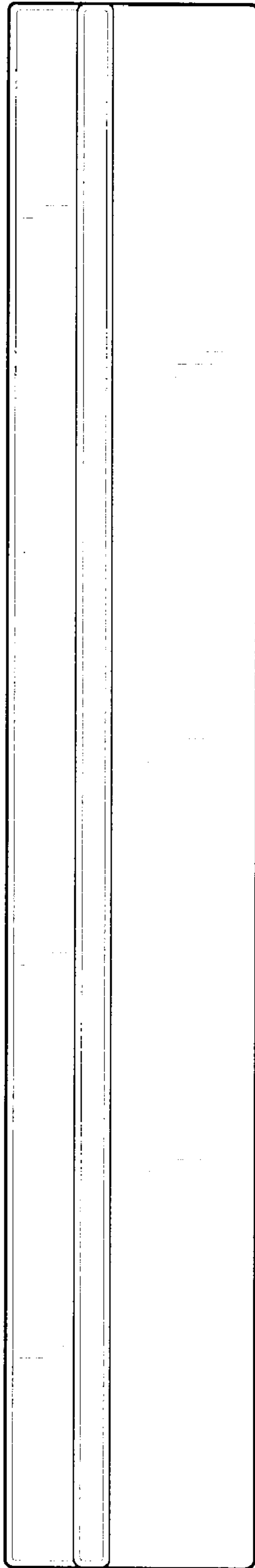
*FIG. 2*



*FIG. 3*



*FIG. 4*



*FIG. 5*