



US00D486348S

(12) **United States Design Patent**  
**Zhu**

(10) **Patent No.:** **US D486,348 S**

(45) **Date of Patent:** **\*\* Feb. 10, 2004**

(54) **STYLIZED COOKER**

(75) **Inventor:** **Raozhang Zhu, Hangzhou (CN)**

(73) **Assignee:** **Sunjoy Industries (USA) Inc.,  
Irwindale, CA (US)**

(\*\*) **Term:** **14 Years**

(21) **Appl. No.:** **29/174,412**

(22) **Filed:** **Jan. 17, 2003**

(51) **LOC (7) Cl.** ..... **07-02**

(52) **U.S. Cl.** ..... **D7/332**

(58) **Field of Search** ..... **D7/323, 332-337,  
D7/354, 402-404; 126/25 R, 25 A, 25 AA,  
38, 37 A, 41 R, 40; 99/450, 481-482, 340,  
413, 419**

(56) **References Cited**

**U.S. PATENT DOCUMENTS**

2,397,766	A	*	4/1946	Tullis	.....	126/38
3,333,526	A	*	8/1967	Kirkpatrick	.....	99/347
D222,310	S	*	10/1971	Zaunbrecher	.....	D7/332
4,020,322	A	*	4/1977	Muse	.....	219/392
D244,249	S	*	5/1977	Boswell et al.	.....	D7/332
D259,386	S	*	6/1981	Mulder	.....	D7/334

4,300,444	A	*	11/1981	Muse	.....	99/448
4,905,659	A	*	3/1990	Armistead	.....	126/9 R
5,216,947	A	*	6/1993	Cheng	.....	99/417
D374,371	S	*	10/1996	Hall McDonald	.....	D7/332
5,813,321	A	*	9/1998	Bourgeois	.....	99/340
D463,948	S	*	10/2002	Innes	.....	D7/332

\* cited by examiner

*Primary Examiner*—Ruth McInroy

(74) *Attorney, Agent, or Firm*—Frank Frisenda

(57) **CLAIM**

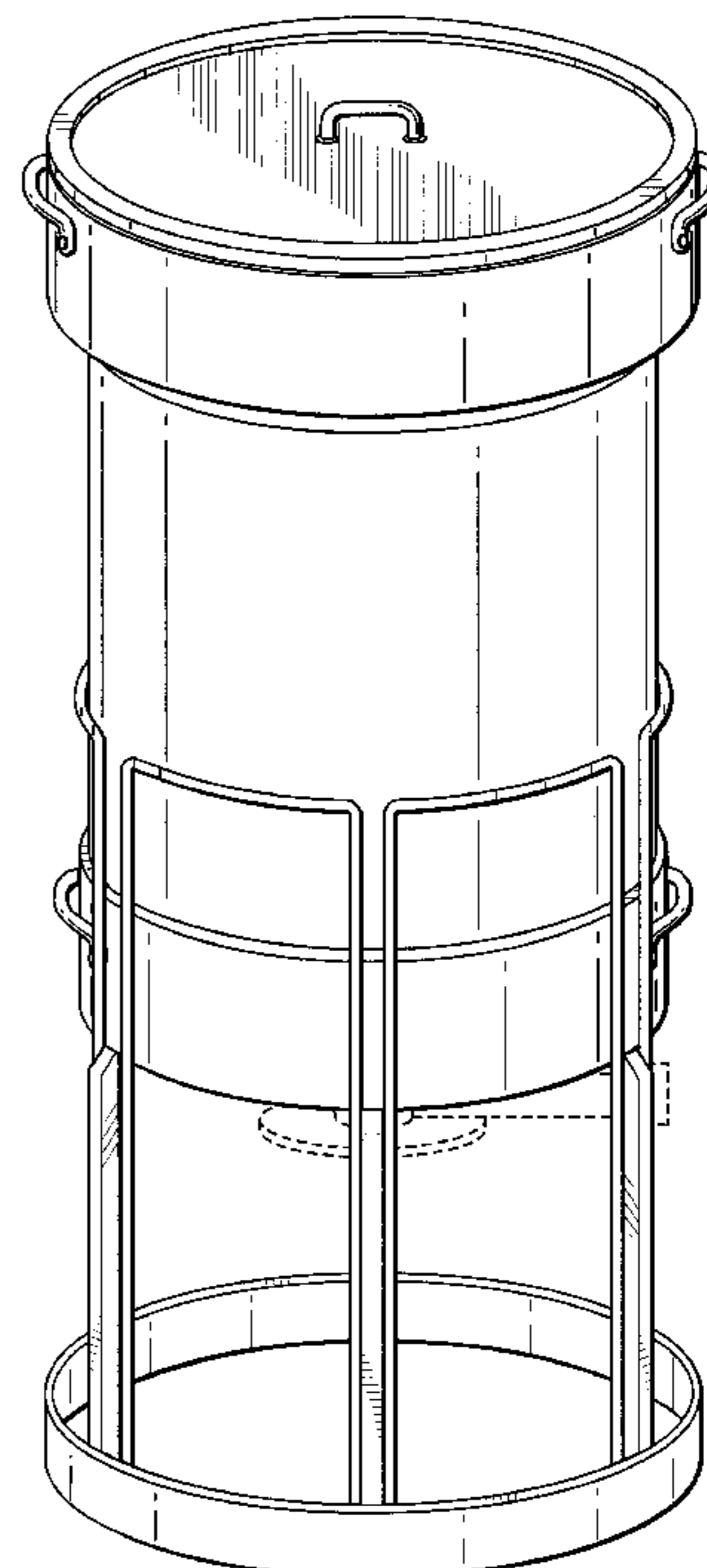
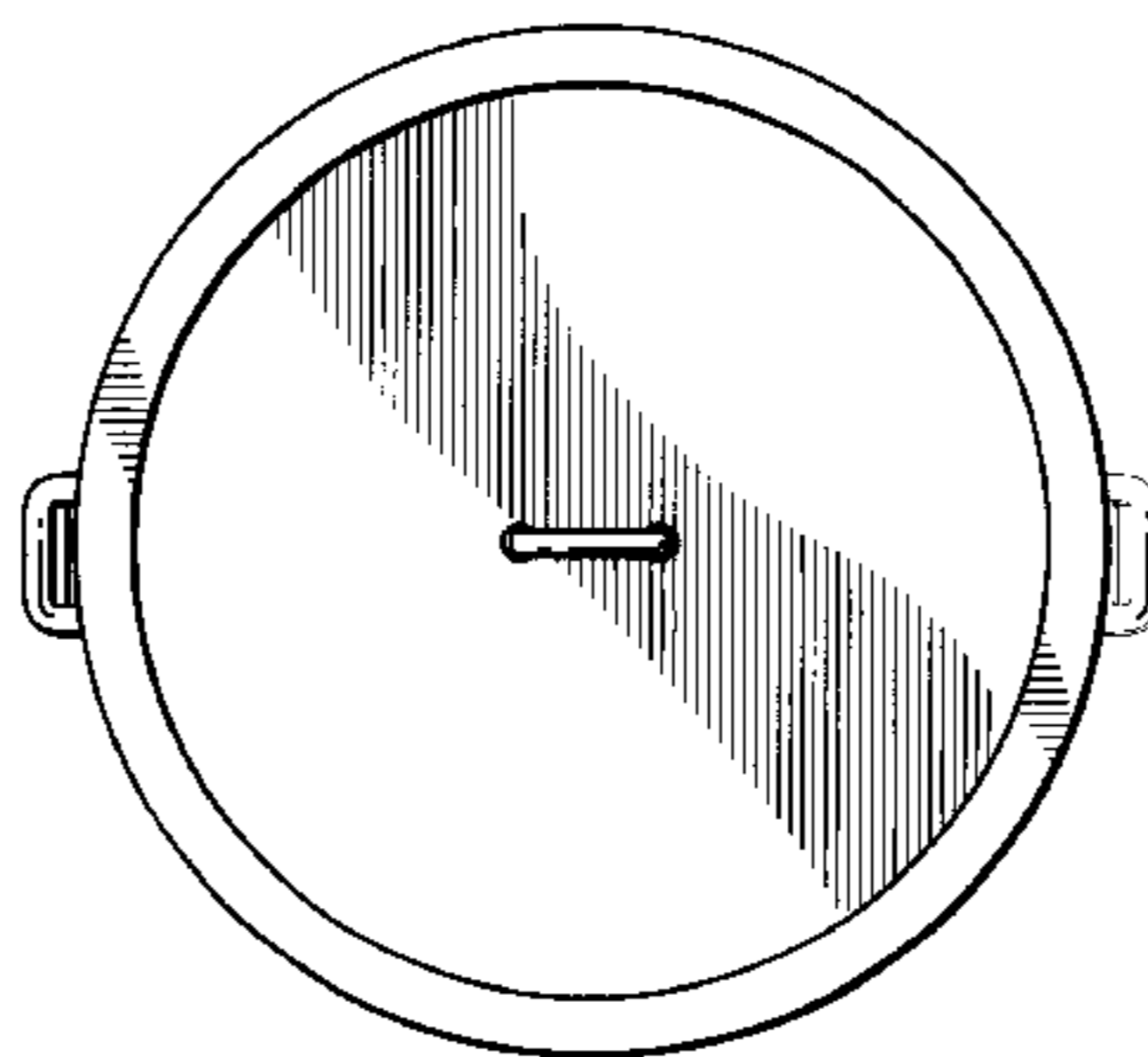
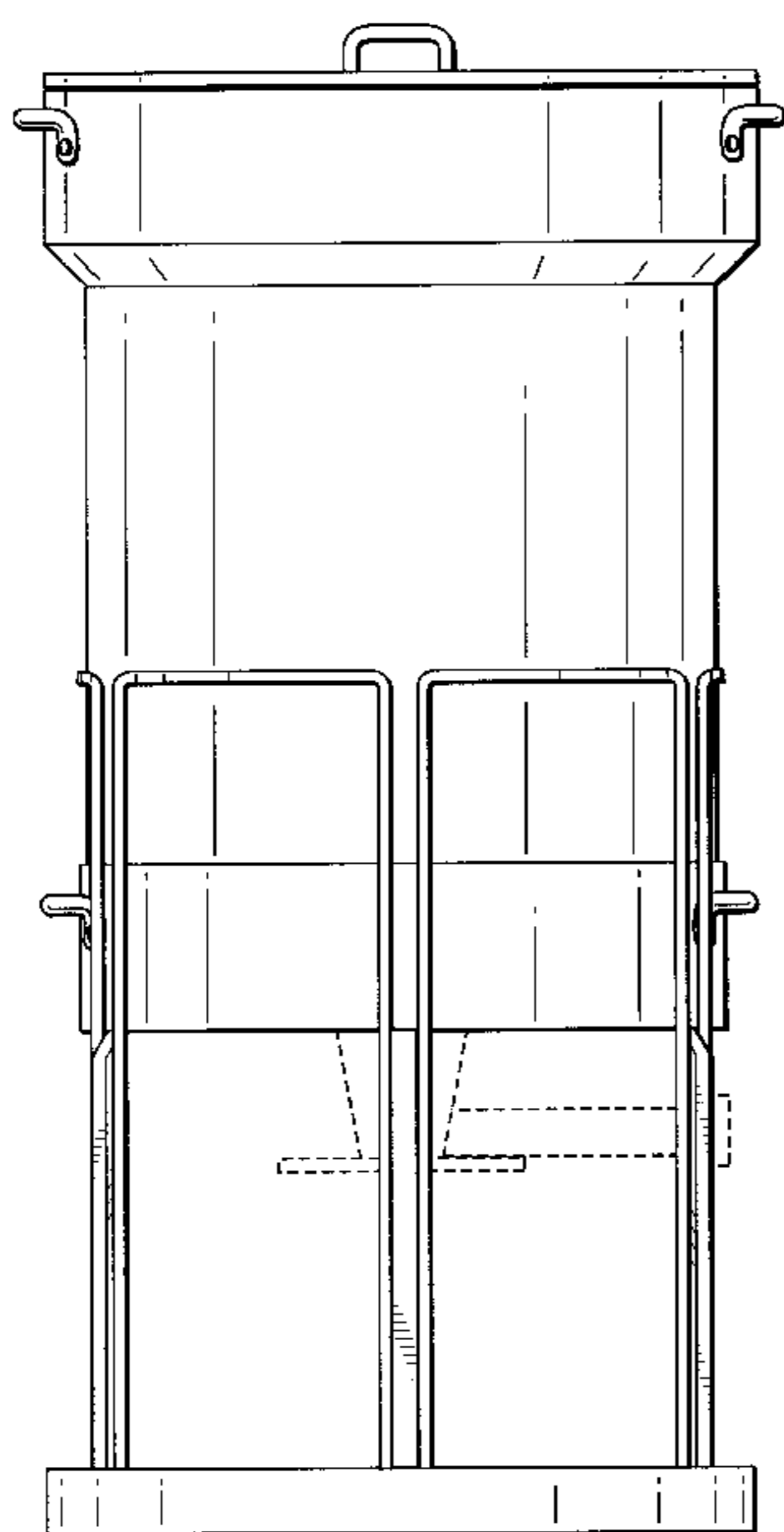
The ornamental design for a stylized cooker, as shown and described.

**DESCRIPTION**

FIG. 1 is a front view of a stylized cooker showing my new design;  
FIG. 2 is a right side view of my design shown in FIG. 1;  
FIG. 3 is a left side view of my design shown in FIG. 1;  
FIG. 4 is top plan view of my design shown in FIG. 1;  
FIG. 5 is a bottom view of my design shown in FIG. 1; and,  
FIG. 6 is a front perspective view of my design shown in FIG. 1.

The details shown in broken lines are for illustrative purposes only and form no part of the claimed design.

**1 Claim, 5 Drawing Sheets**



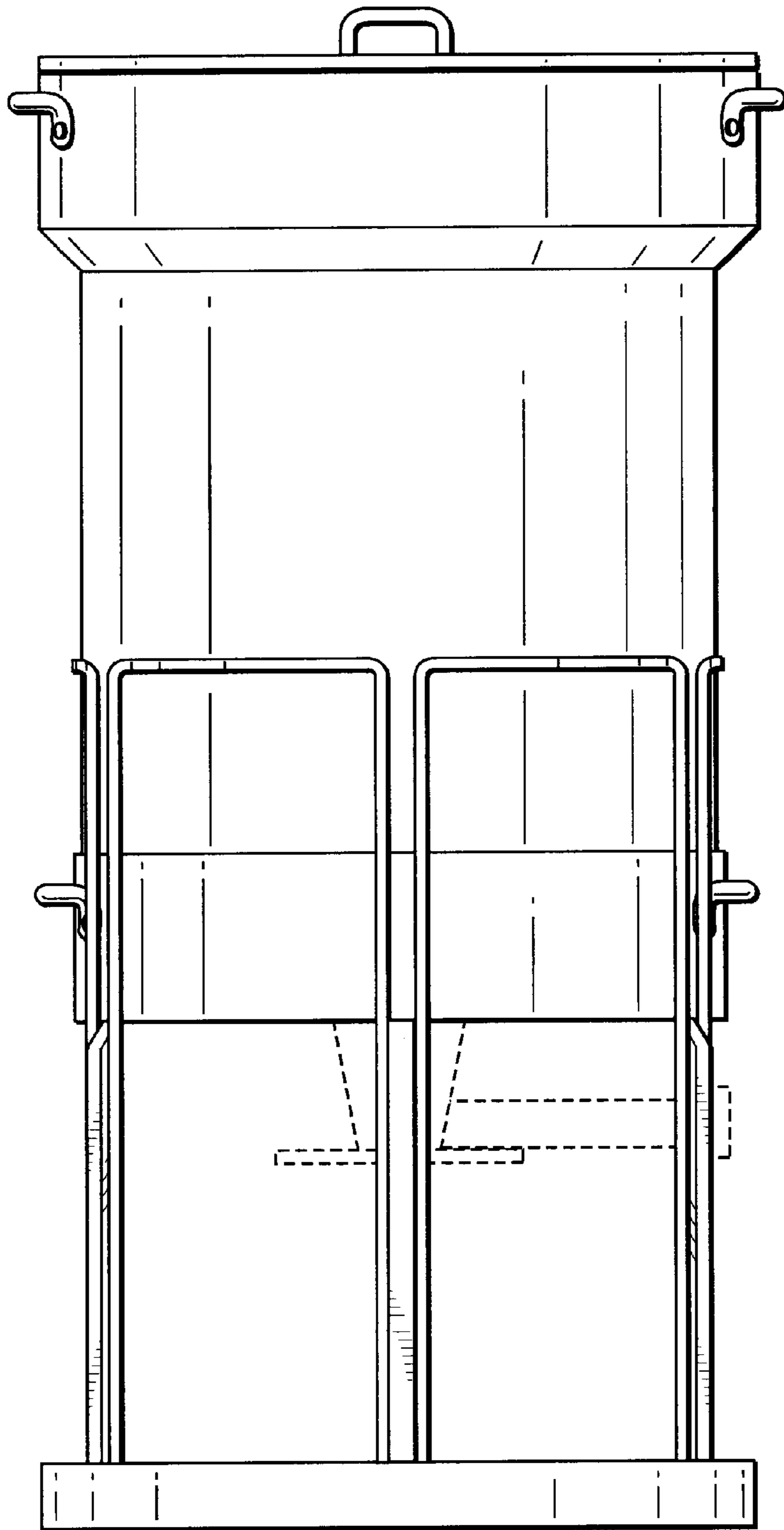


FIG. 1

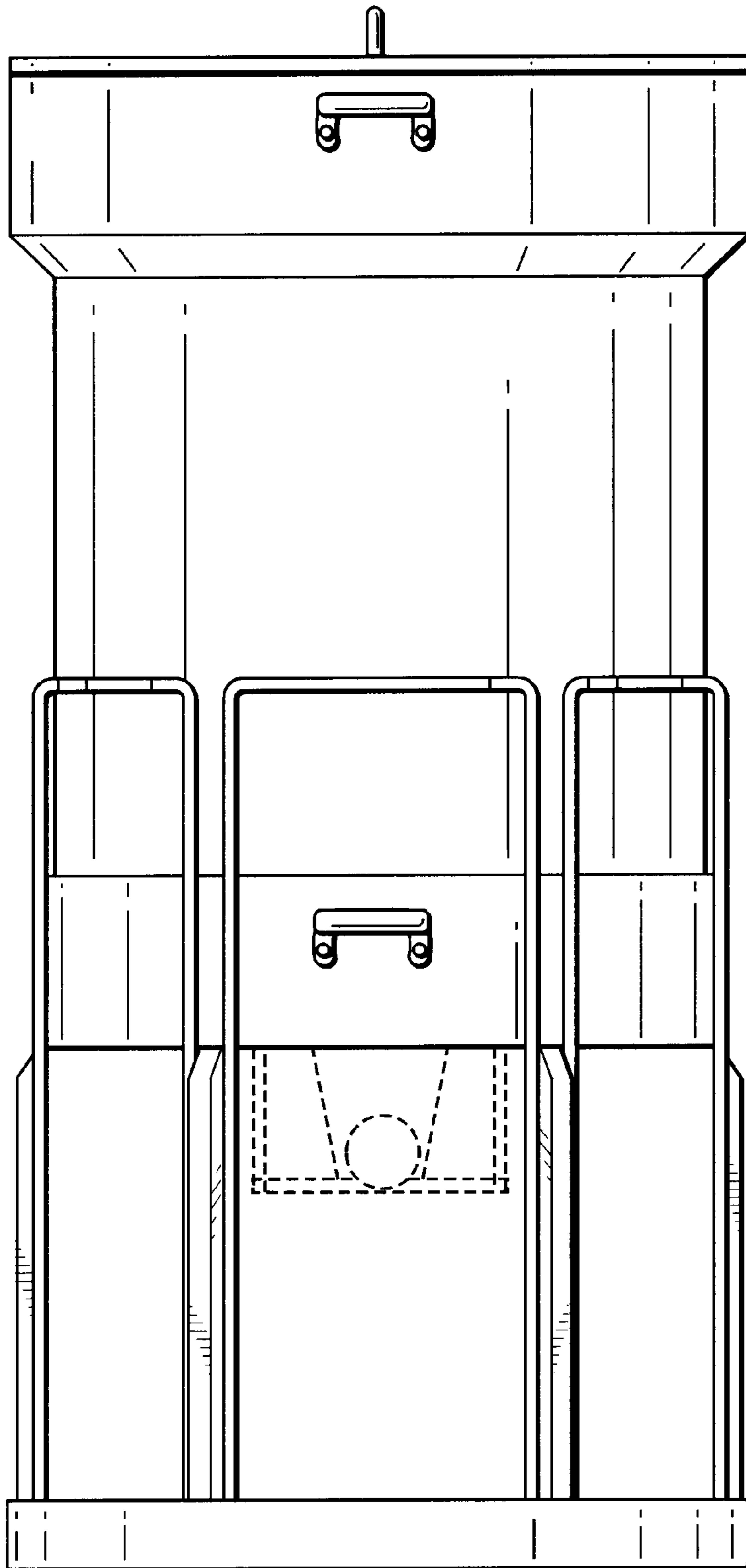


FIG. 2

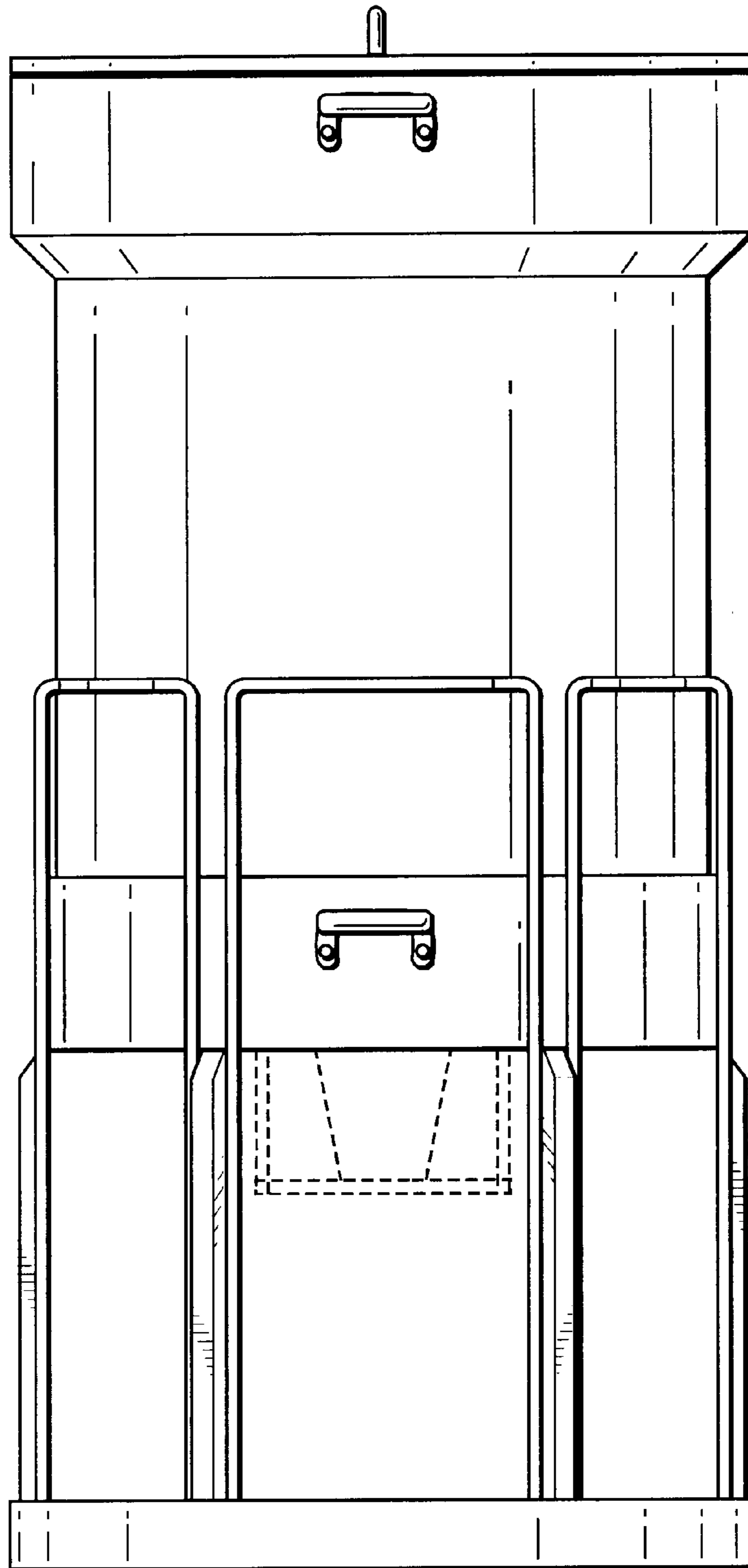


FIG. 3

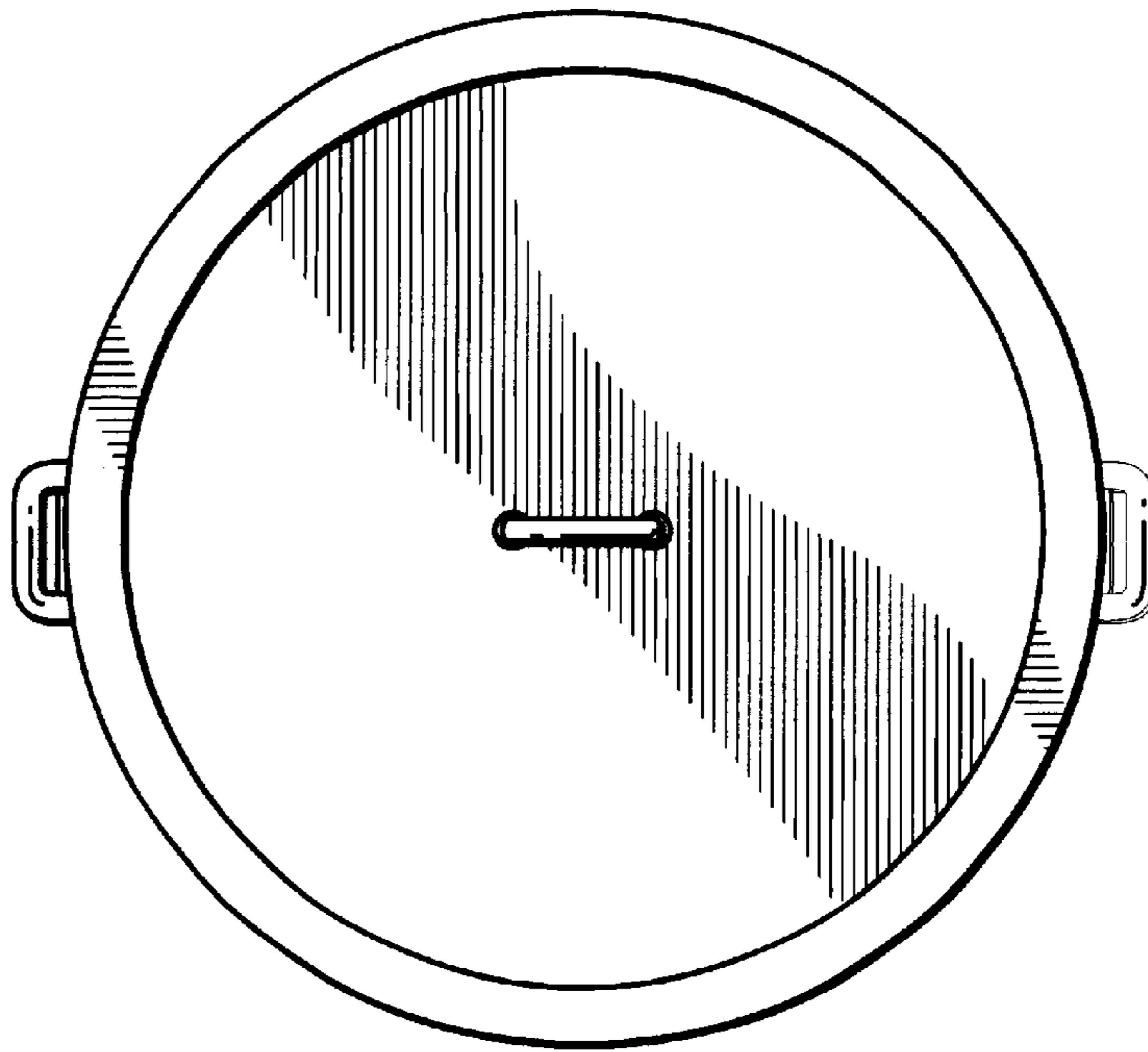


FIG. 4

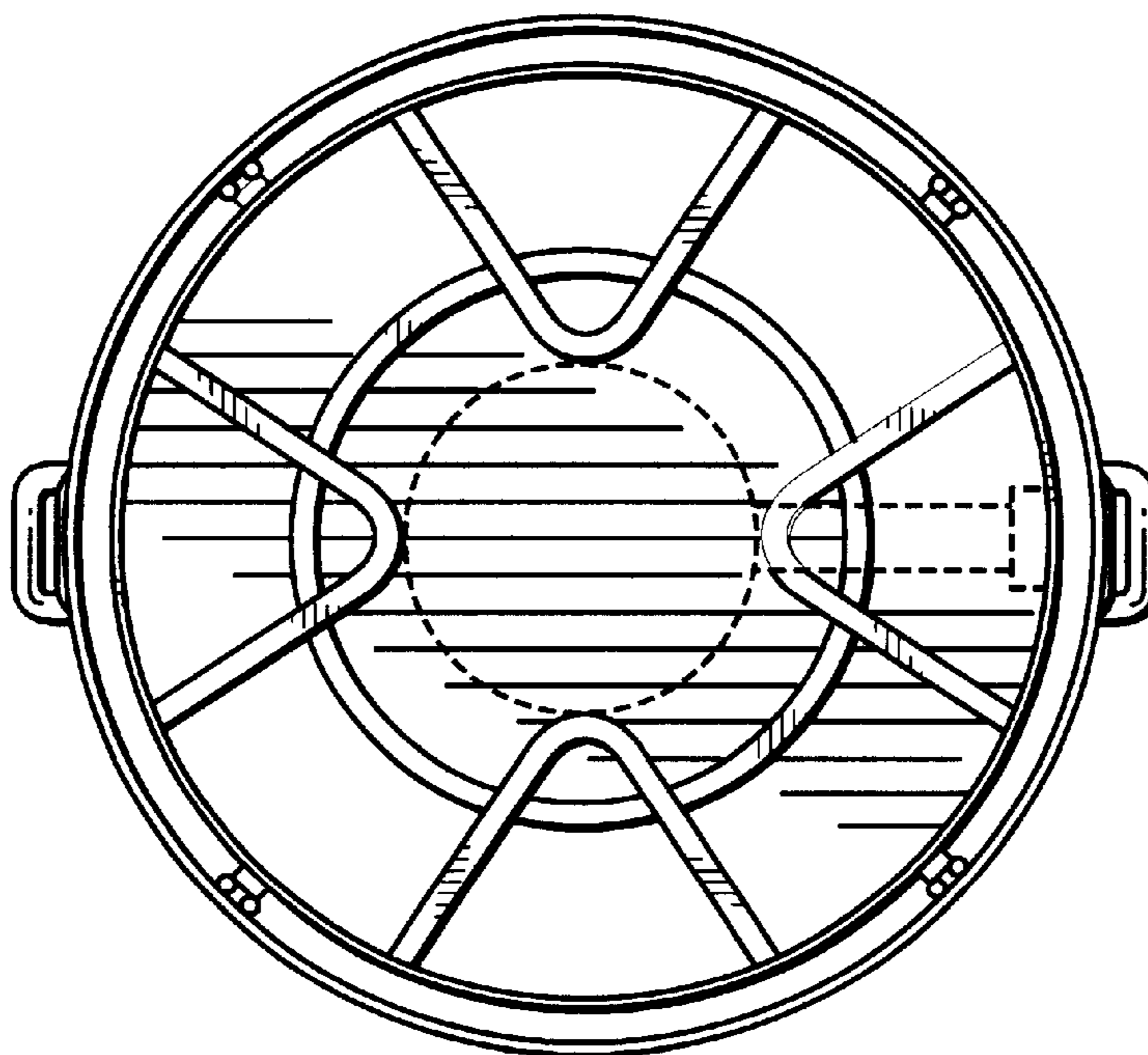


FIG. 5

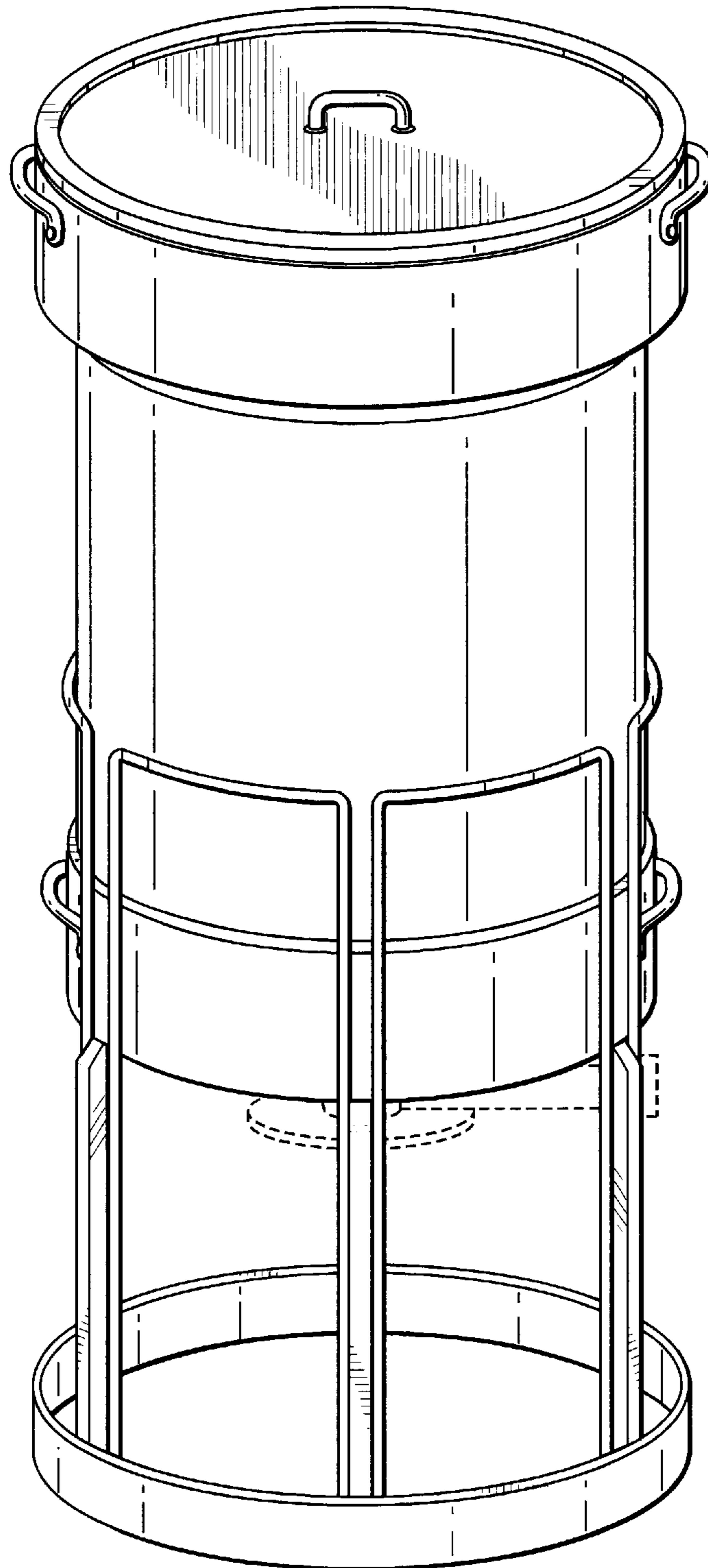


FIG. 6