



US00D486337S

(12) **United States Design Patent**
Hoernig

(10) **Patent No.:** **US D486,337 S**

(45) **Date of Patent:** **** Feb. 10, 2004**

(54) **DOUBLE TOWEL BAR**

(75) Inventor: **Victor Hoernig**, Lowell, IN (US)

(73) Assignee: **Bath Unlimited, Inc.**, Fort Mill, SC (US)

(**) Term: **14 Years**

(21) Appl. No.: **29/183,925**

(22) Filed: **Jun. 19, 2003**

(51) **LOC (7) Cl.** **06-04**

(52) **U.S. Cl.** **D6/548**

(58) **Field of Search** D6/546-50, 518,
D6/522-24; D8/300, 303, 315-21, 354,
363, 373, 380; 108/28-29; 211/13.1, 16,
60.1, 86.01, 87.01, 88.01, 88.04, 100, 105.1-105.2,
119.003, 123, 126.1, 133.6, 134, 181.1,
182; 248/175, 176.1, 200, 214, 251, 302,
309.1; 16/110.1, 412, 415; 242/570, 590,
595-598; 206/389, 557

(56) **References Cited**

U.S. PATENT DOCUMENTS

- 2,825,469 A * 3/1958 Watkins et al. 211/123 X
- D206,050 S * 10/1966 Anders D6/549
- D291,753 S * 9/1987 Pool D6/522

- D301,305 S * 5/1989 Bell et al. D8/376
- D312,935 S * 12/1990 Chap et al. D6/549
- D327,196 S * 6/1992 Crook et al. D6/549
- D357,841 S * 5/1995 Lehn et al. D6/549
- D388,272 S * 12/1997 Moore D6/549
- D449,952 S * 11/2001 Lyndon D6/549
- D450,212 S * 11/2001 Gottwald D6/549
- D477,169 S * 7/2003 Hoernig D6/548

* cited by examiner

Primary Examiner—Brian N. Vinson

(74) *Attorney, Agent, or Firm*—Edgar A. Zarins; Lloyd D. Doigan

(57) **CLAIM**

The ornamental design for a double towel bar, as shown and described.

DESCRIPTION

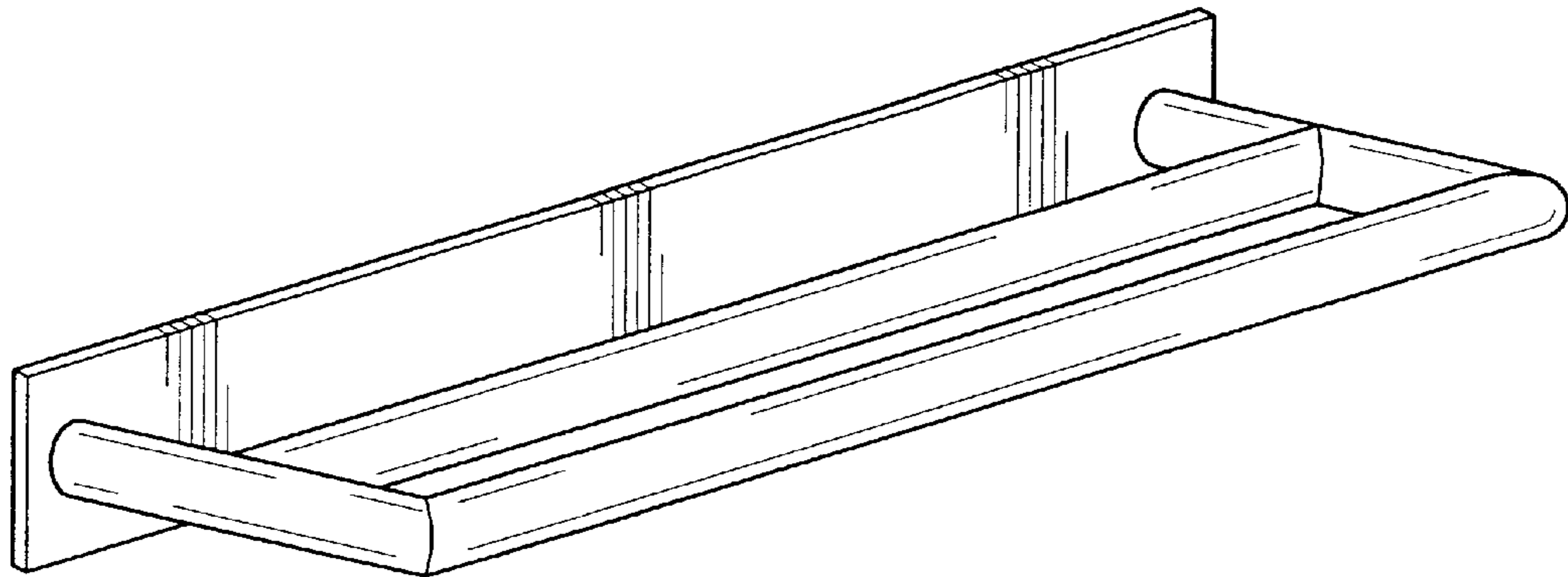
FIG. 1 is a perspective view of a double towel bar showing my new design;

FIG. 2 is a right end view thereof, the opposite end being a mirror image of the end shown;

FIG. 3 is a front elevational view thereof; and,

FIG. 4 is a top plan view thereof, the opposite side being a mirror image of the side shown.

1 Claim, 1 Drawing Sheet



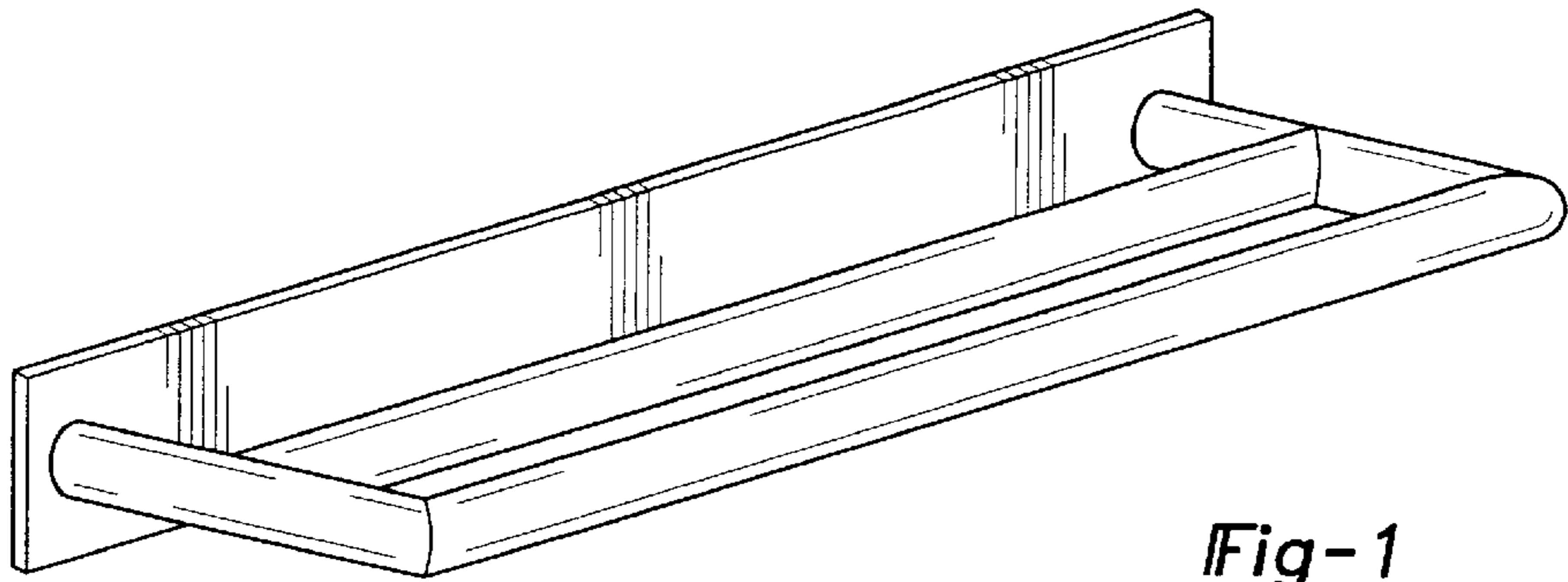


Fig-1

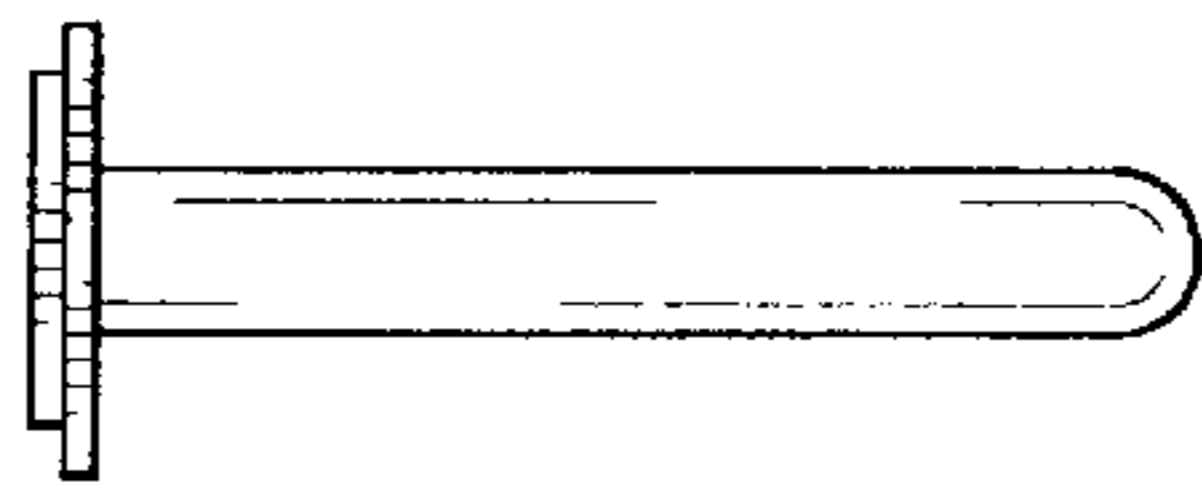


Fig-2

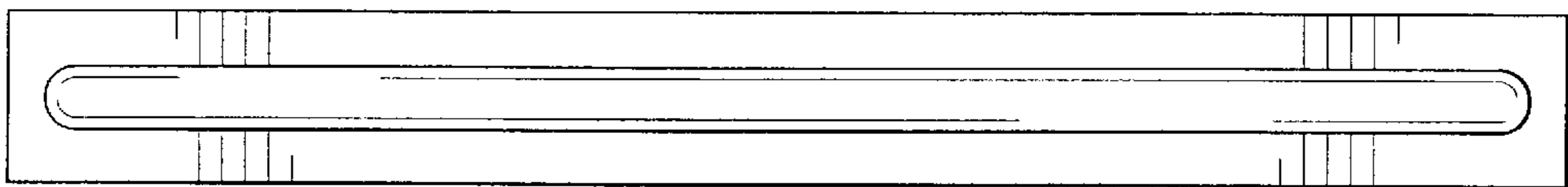


Fig-3

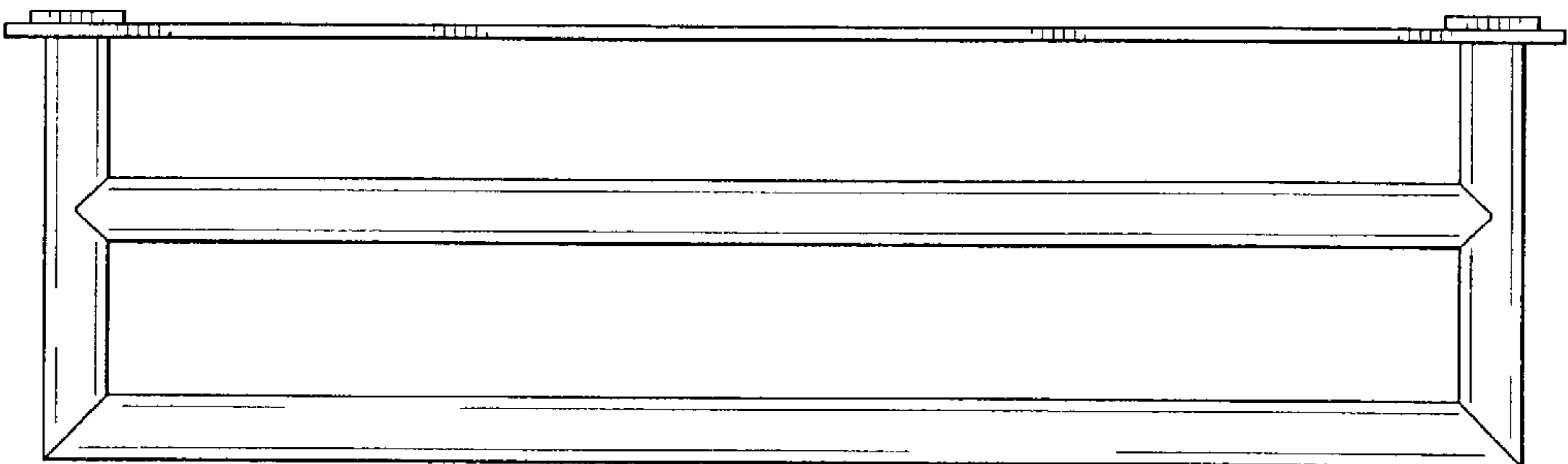


Fig-4