



US00D486336S

(12) **United States Design Patent**  
**Snell**

(10) **Patent No.:** **US D486,336 S**

(45) **Date of Patent:** **\*\* Feb. 10, 2004**

(54) **SOAP AND SPONGE CADDY**

(75) Inventor: **Russell Benton Snell**, Bentleyville, OH (US)

(73) Assignee: **InterDesign, Inc.**, Solon, OH (US)

(\*\*) Term: **14 Years**

(21) Appl. No.: **29/183,743**

(22) Filed: **Jun. 17, 2003**

(51) **LOC (7) Cl.** ..... **23-02**

(52) **U.S. Cl.** ..... **D6/542**

(58) **Field of Search** ..... D6/542, 524, 525;  
206/77.1, 207-210, 173; 248/309.2; 224/400;  
211/13.1

(56) **References Cited**

**U.S. PATENT DOCUMENTS**

|            |   |         |           |       |        |
|------------|---|---------|-----------|-------|--------|
| D341,973 S | * | 12/1993 | Gerstmar  | ..... | D6/542 |
| D426,093 S | * | 6/2000  | Cayouette | ..... | D6/542 |
| D438,740 S | * | 3/2001  | Donnell   | ..... | D6/542 |

\* cited by examiner

*Primary Examiner*—Brian N. Vinson

(74) *Attorney, Agent, or Firm*—D. Peter Hochberg; Sean Mellino; Katherine R. Vieyra

(57) **CLAIM**

The ornamental design for a soap and sponge caddy, as shown and described.

**DESCRIPTION**

FIG. 1 is a perspective view of a soap and sponge caddy embodying this invention, with a phantom view of a sponge in the caddy;

FIG. 2 is a top view of the caddy shown in FIG. 1, with a phantom view of a sponge in the caddy;

FIG. 3 is a front view of the caddy shown in FIG. 1, with a phantom view of a sponge in the caddy;

FIG. 4 is a rear view of the caddy shown in FIG. 1, with a phantom view of a sponge in the caddy;

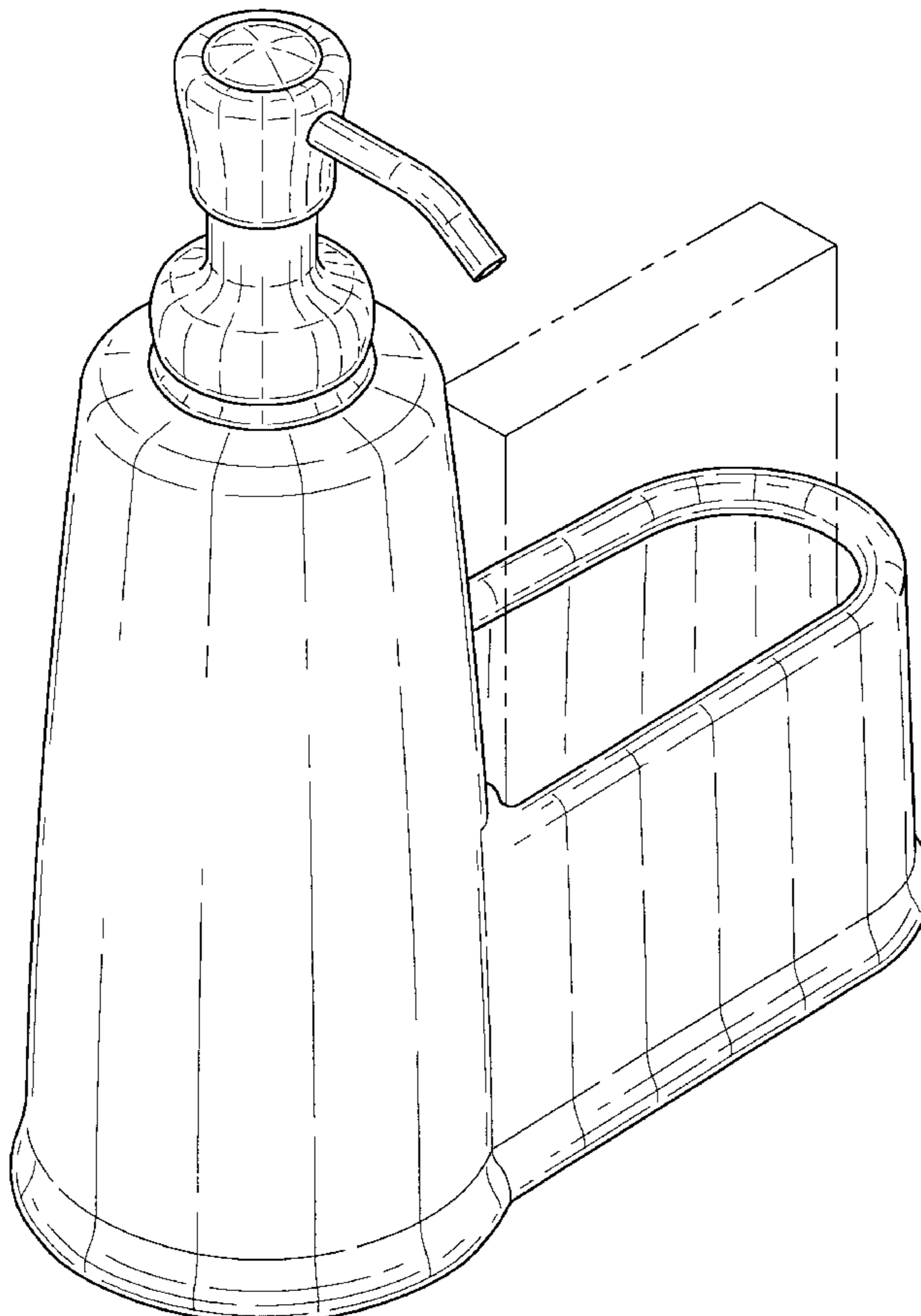
FIG. 5 is a bottom view of the caddy shown in FIG. 1.

FIG. 6 is a right side elevation view of the caddy shown in FIG. 1, with a phantom view of a sponge in the caddy; and,

FIG. 7 is a left side elevation view of the caddy shown in FIG. 1.

The phantom view of the sponge is understood to be for illustrative purposes only and forms no part of the claimed design.

**1 Claim, 4 Drawing Sheets**



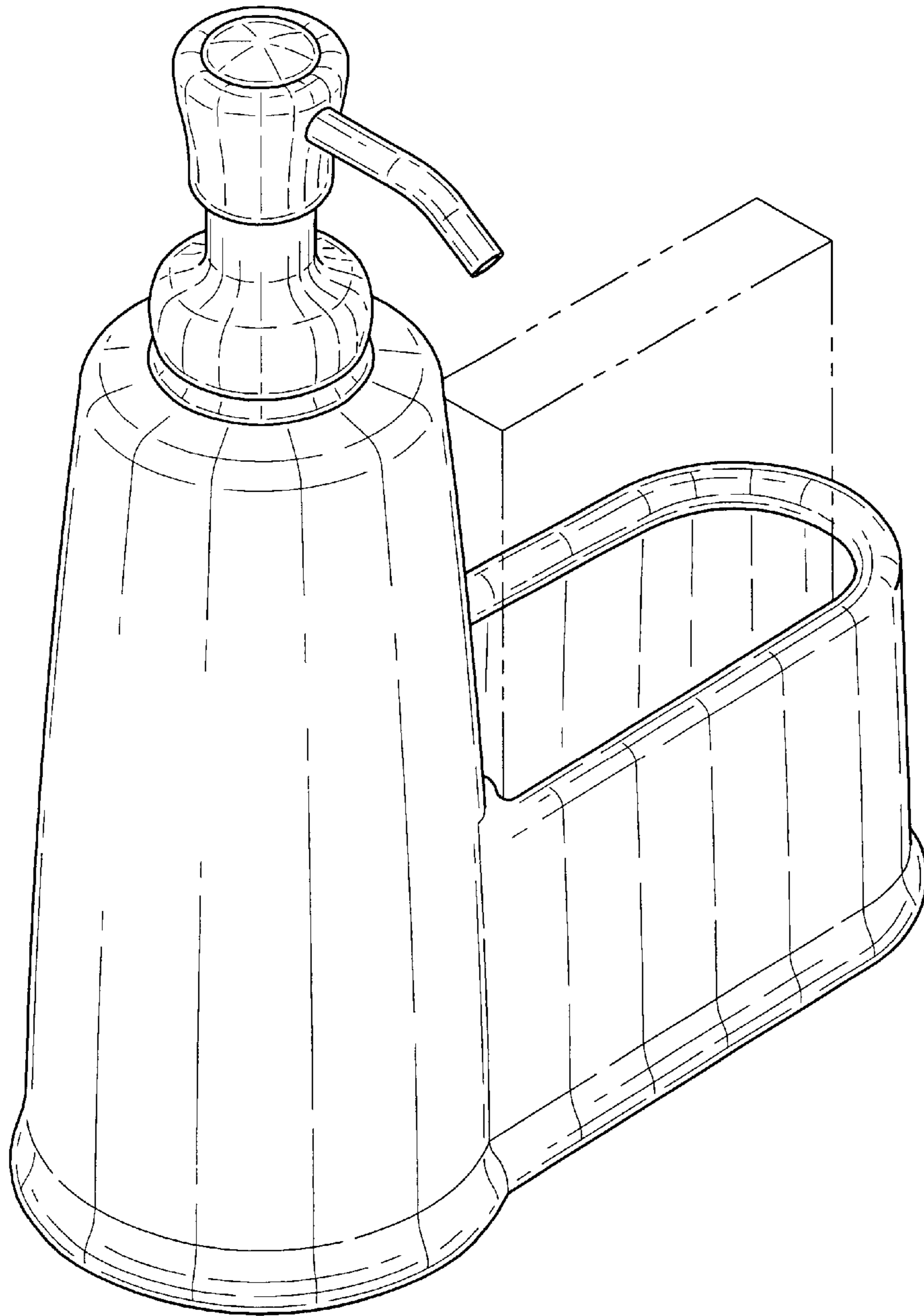


FIG-1

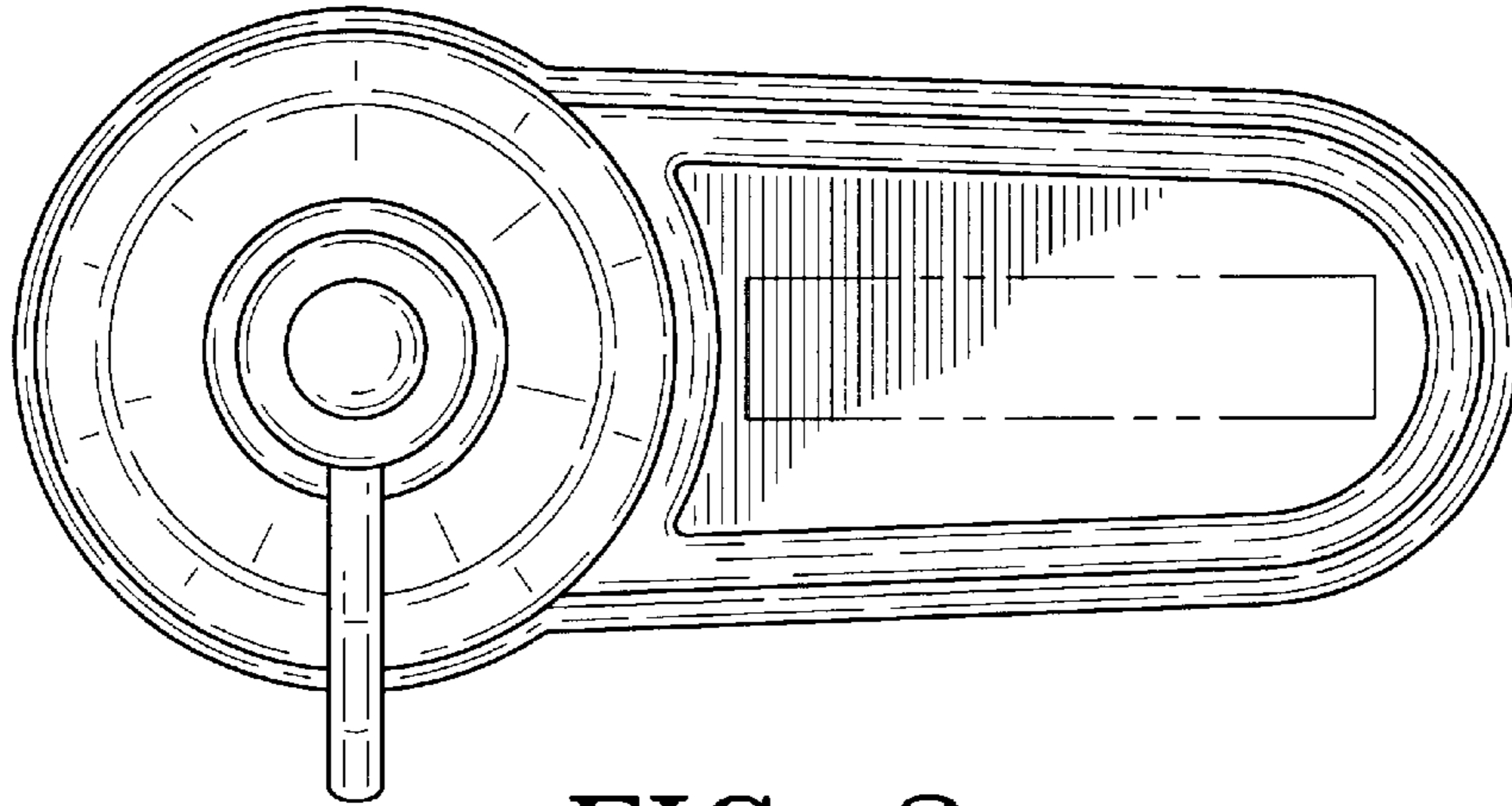


FIG-2

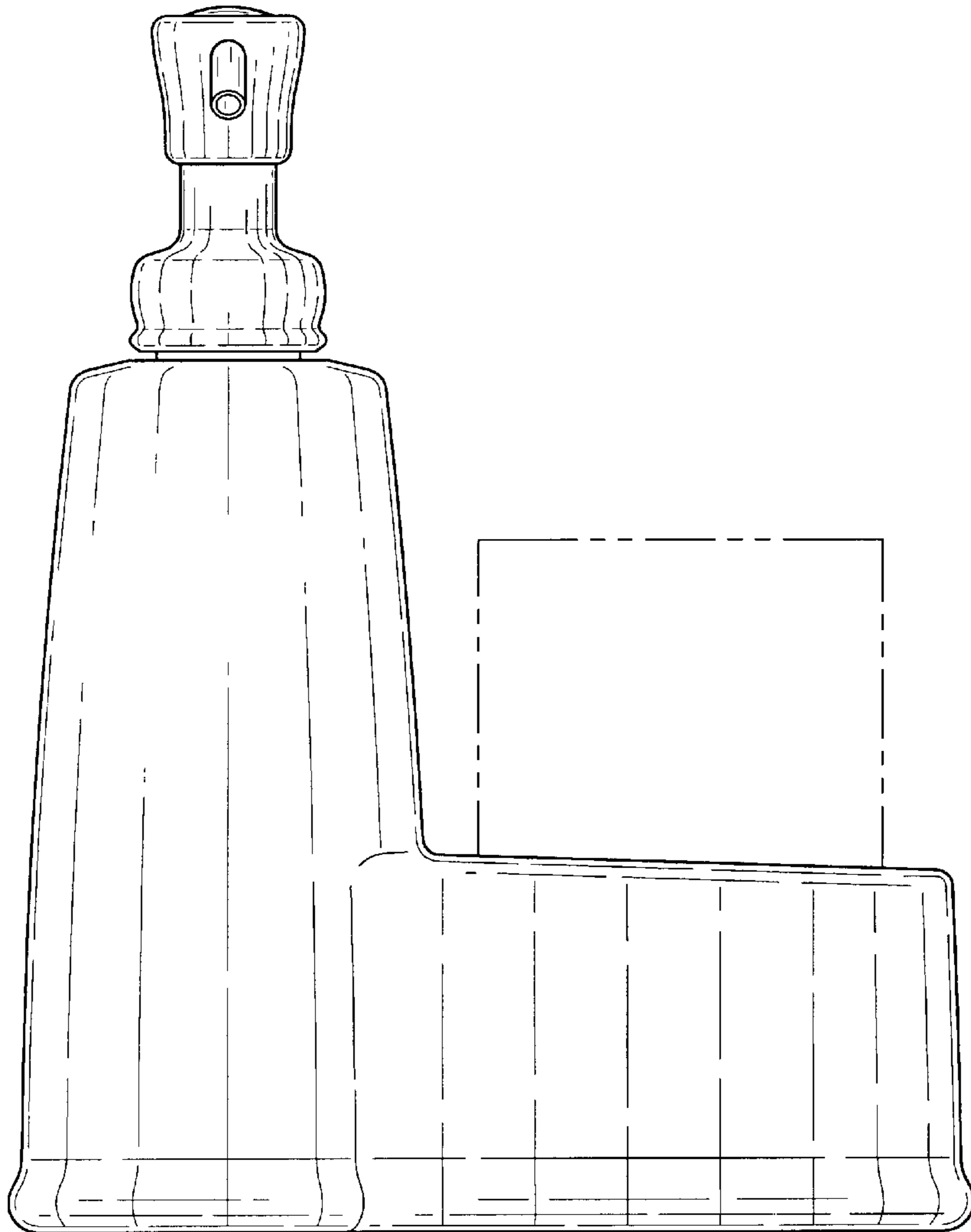


FIG-3

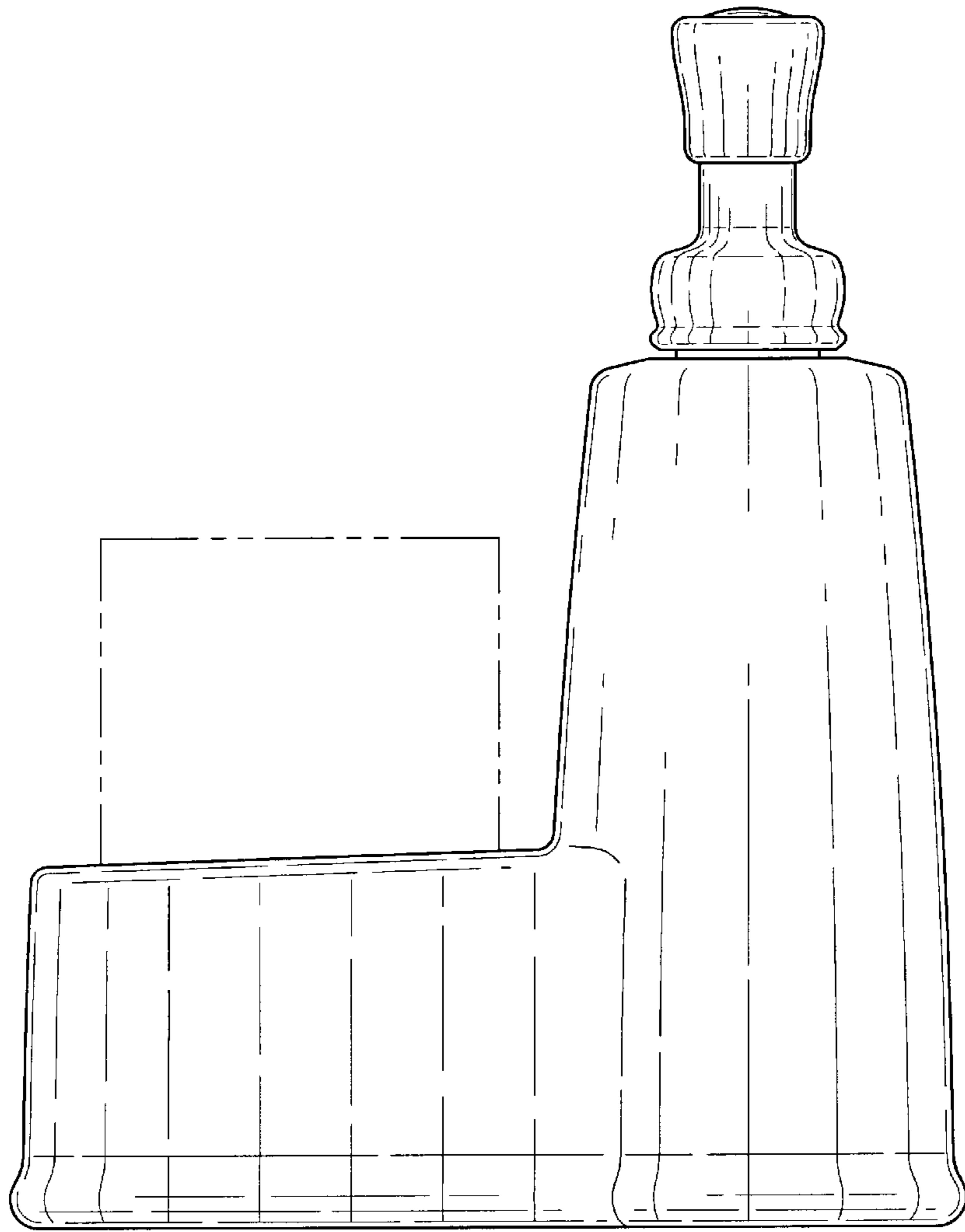


FIG-4

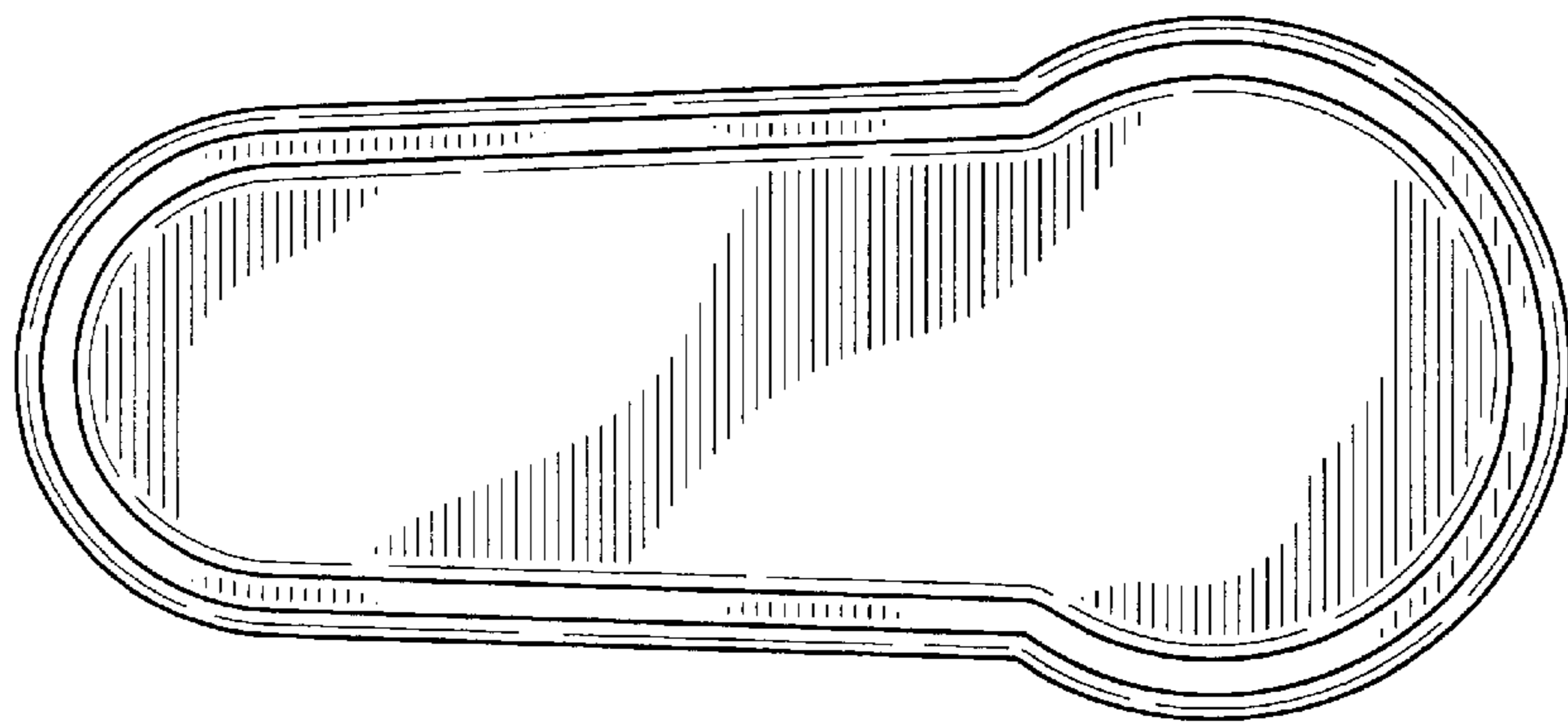


FIG-5

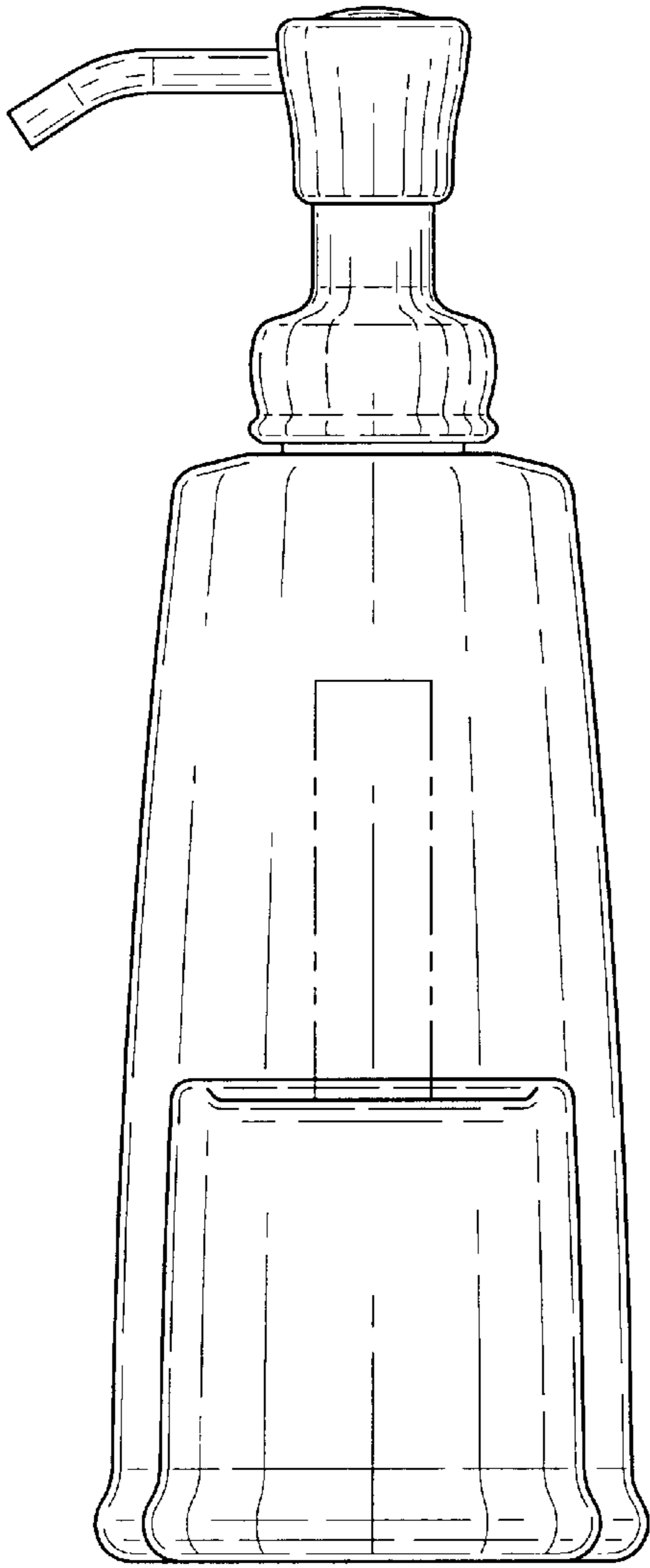


FIG-6

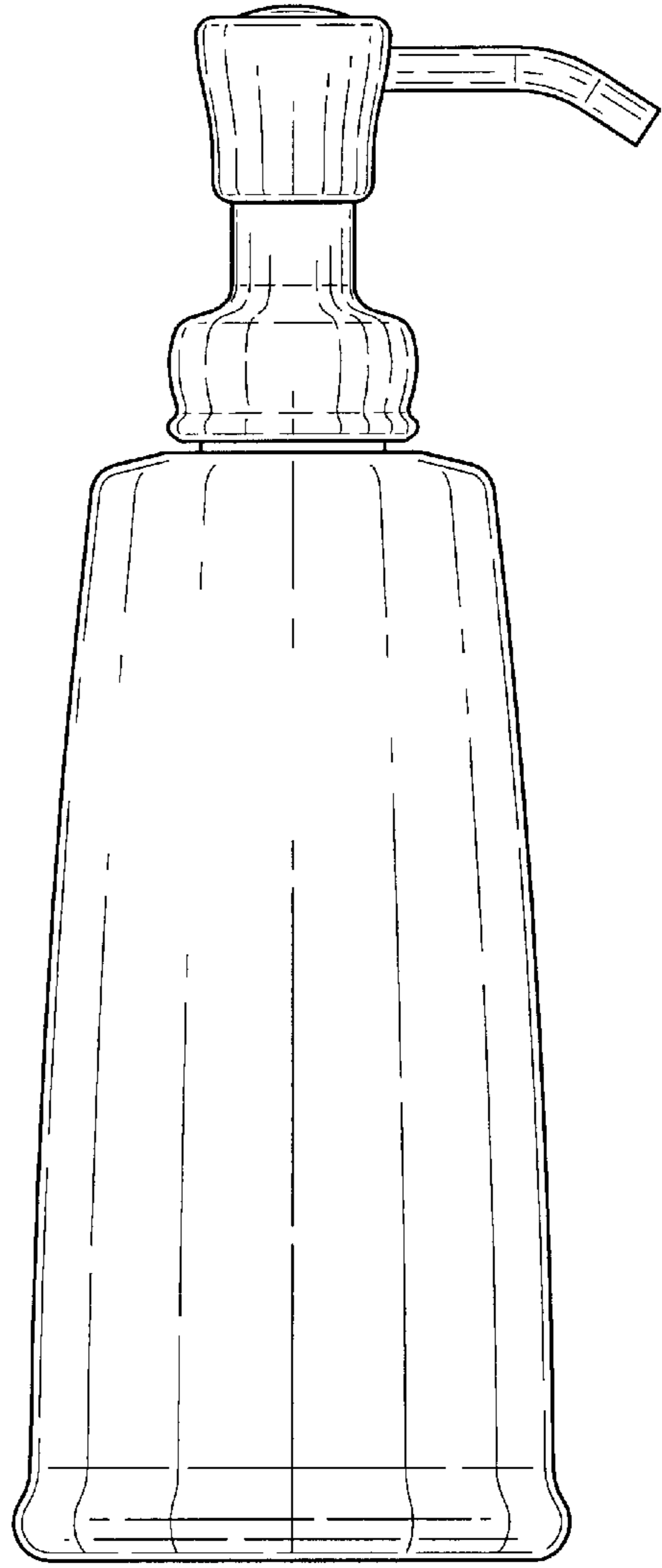


FIG-7