



US00D486334S

(12) **United States Design Patent**  
**Hoernig**

(10) **Patent No.:** **US D486,334 S**

(45) **Date of Patent:** **\*\* Feb. 10, 2004**

(54) **TISSUE HOLDER**

6,554,222 B1 \* 4/2003 Lindow, Sr. .... 242/598 X  
D478,439 S \* 8/2003 Hoernig ..... D6/523

(75) Inventor: **Victor Hoernig**, Lowell, IN (US)

\* cited by examiner

(73) Assignee: **Bath Unlimited, Inc.**, Fort Mill, SC (US)

*Primary Examiner*—Brian N. Vinson  
(74) *Attorney, Agent, or Firm*—Edgar A. Zarins; Lloyd D. Doigan

(\*\*) Term: **14 Years**

(21) Appl. No.: **29/183,914**

(22) Filed: **Jun. 18, 2003**

(51) **LOC (7) Cl.** ..... **23-02**

(52) **U.S. Cl.** ..... **D6/523**

(58) **Field of Search** ..... D6/546–50, 518,  
D6/522–24; D8/300, 303, 315–21, 354,  
363, 373, 380; 108/28–29; 211/13.1, 16,  
60.1, 86.01, 87.01, 88.01, 88.04, 100, 105.1–105.2,  
119.003, 123, 126.1, 133.6, 134, 181.1,  
182; 248/175, 176.1, 200, 214, 251, 302,  
309.1; 16/110.1, 412, 415; 242/570, 590,  
595–598; 206/389, 557

(57) **CLAIM**

The ornamental design for a tissue holder, as shown and described.

**DESCRIPTION**

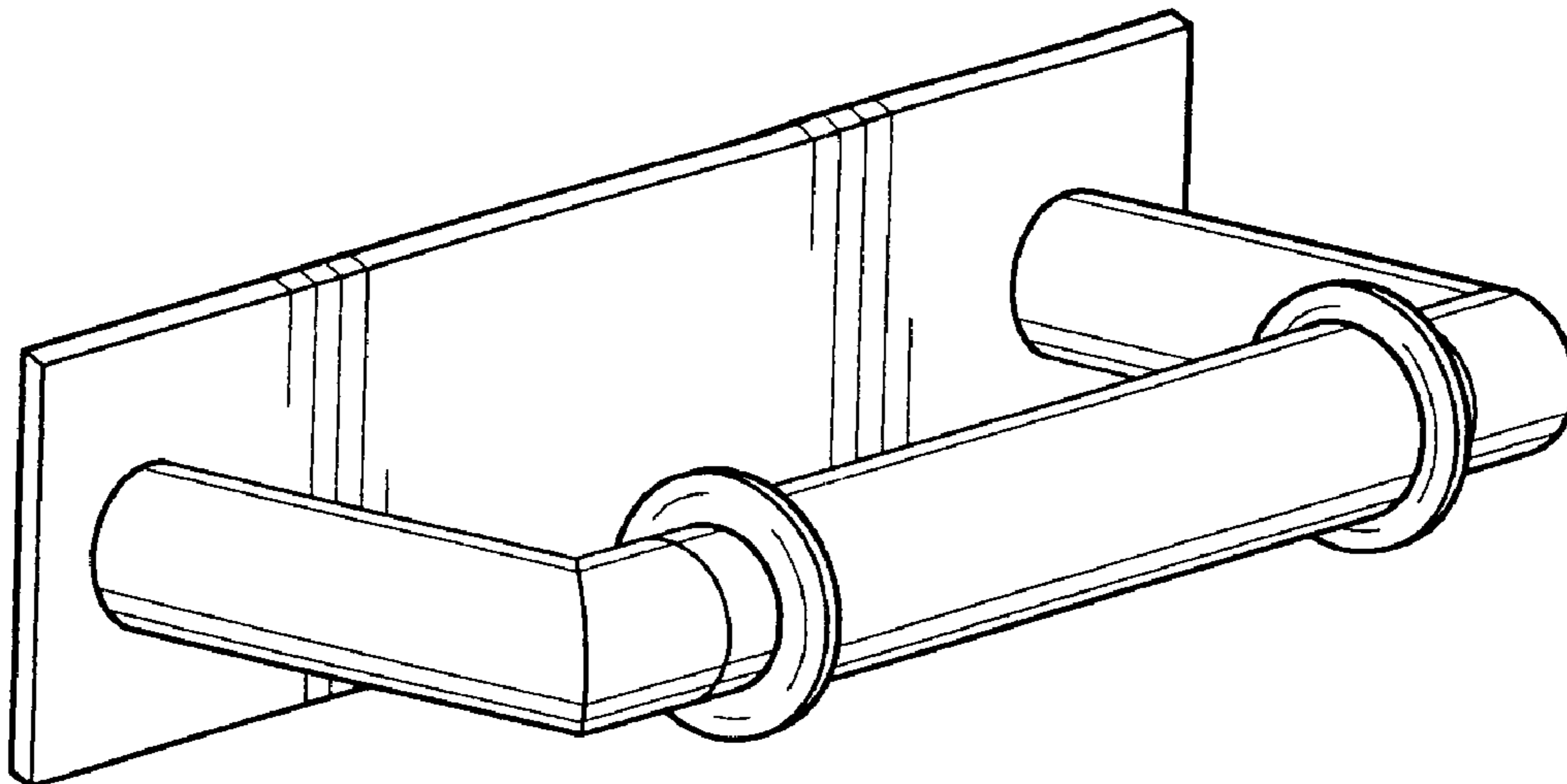
FIG. 1 is a perspective view of a tissue holder showing my new design;  
FIG. 2 is a top plan view thereof, the opposite side being a mirror image of the side shown;  
FIG. 3 is a right end view thereof, the opposite end being a mirror image of the end shown; and,  
FIG. 4 is a front elevational view thereof.

(56) **References Cited**

**U.S. PATENT DOCUMENTS**

D194,259 S \* 12/1962 Scott ..... D6/520

**1 Claim, 1 Drawing Sheet**



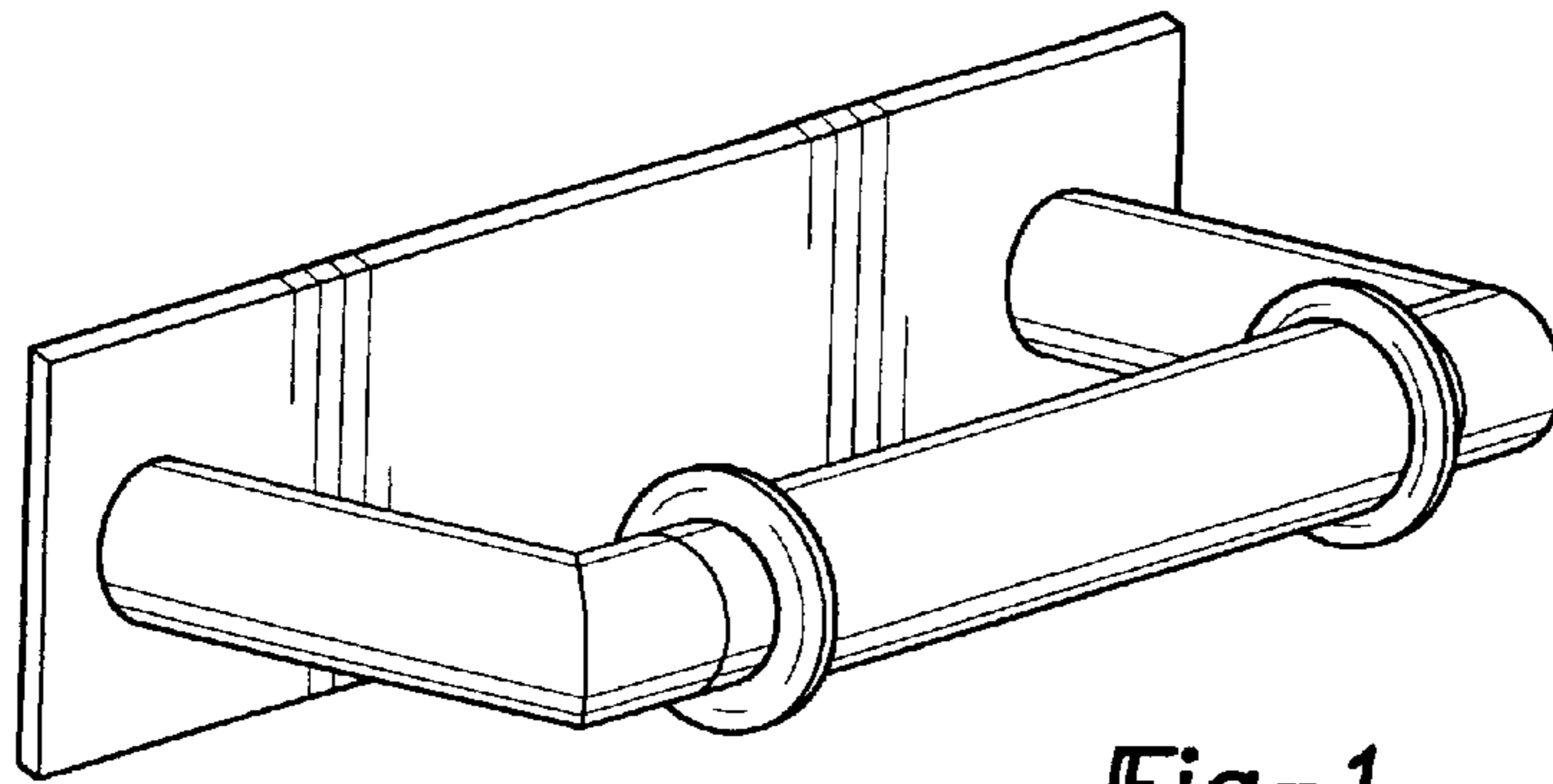


Fig-1

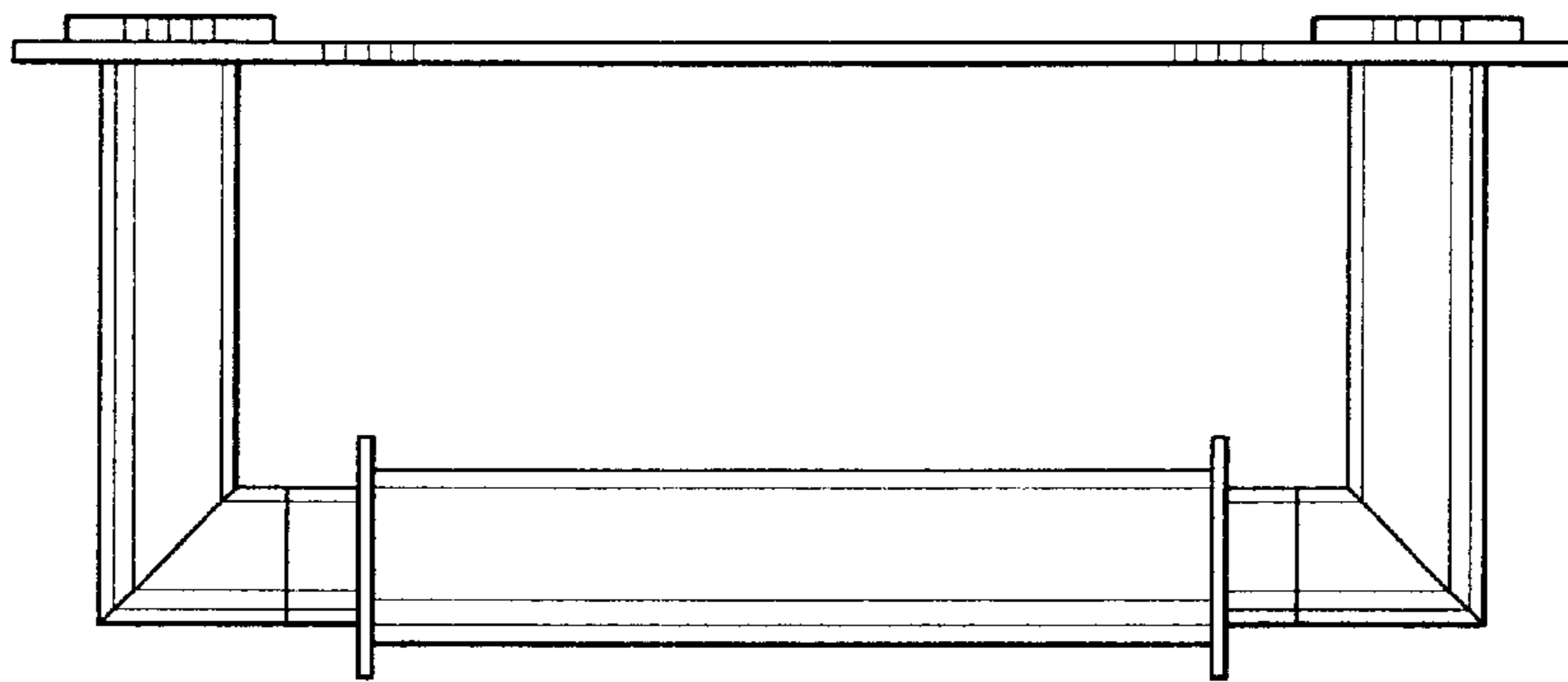


Fig-2

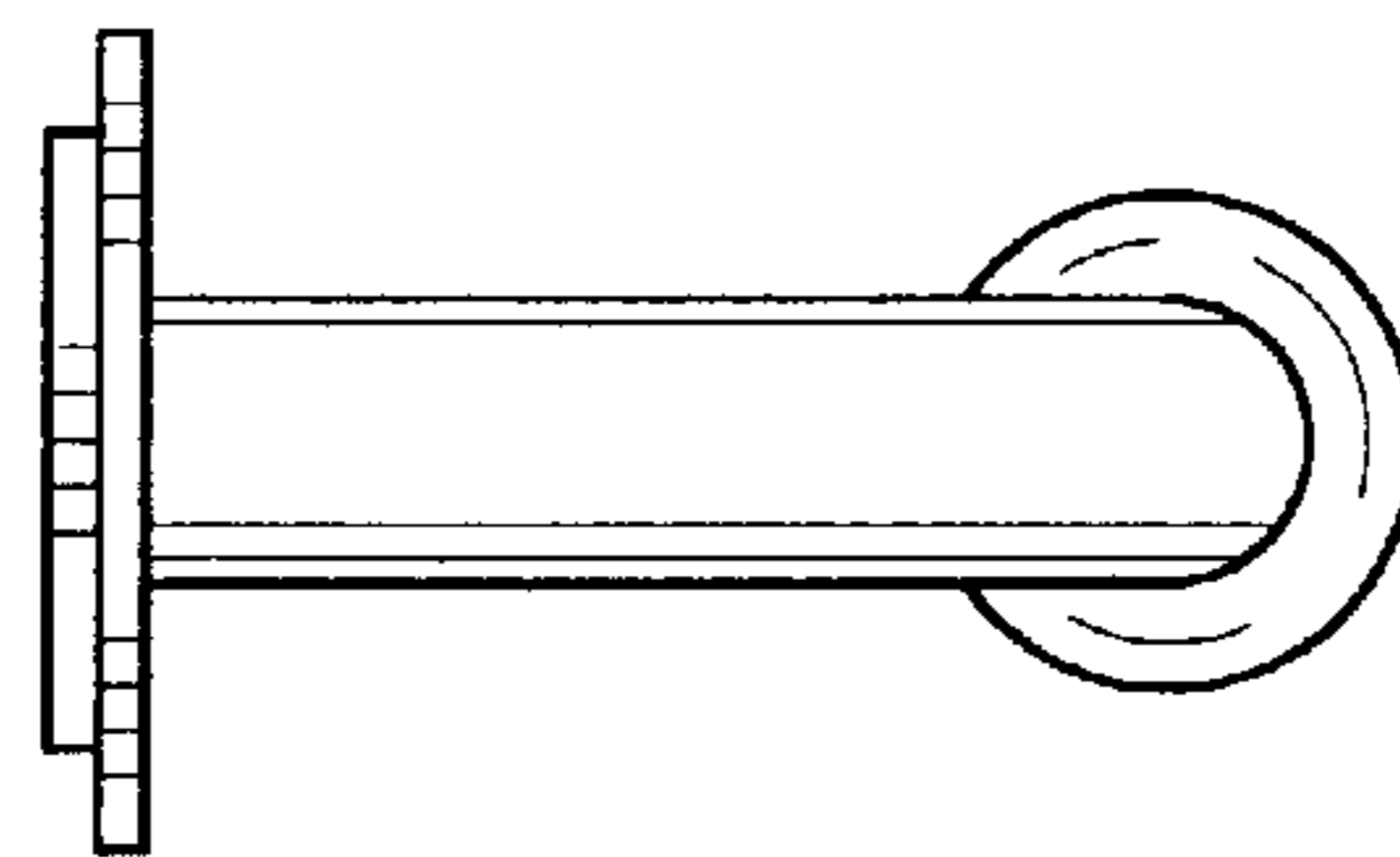


Fig-3

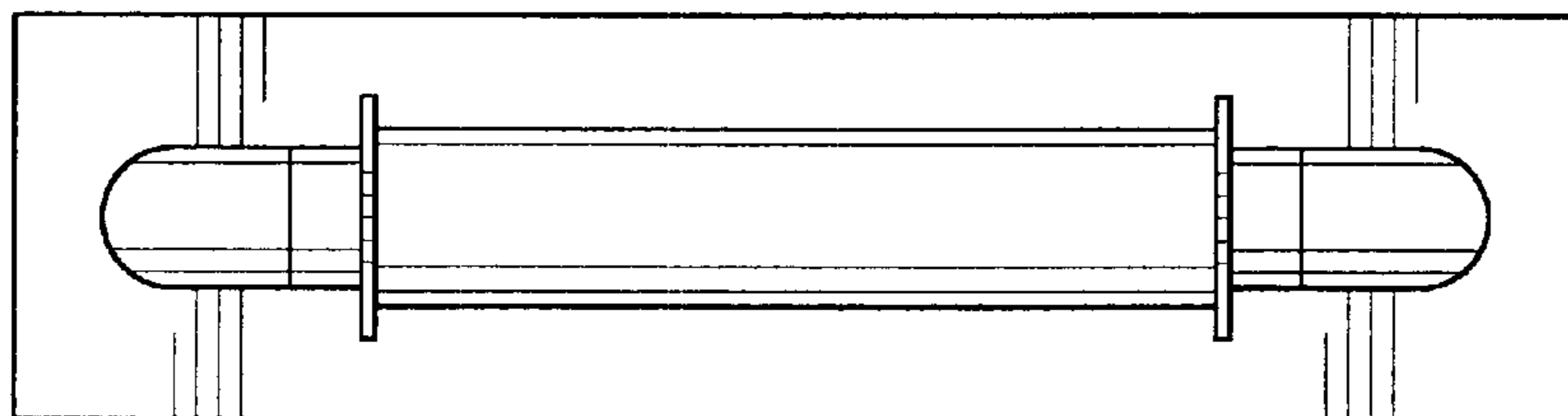


Fig-4