



US00D486333S

(12) **United States Design Patent**
Hoernig

(10) **Patent No.:** **US D486,333 S**

(45) **Date of Patent:** **** Feb. 10, 2004**

(54) **TISSUE HOLDER**

(75) Inventor: **Victor Hoernig**, Lowell, IN (US)

(73) Assignee: **Bath Unlimited, Inc.**, Fort Mill, SC (US)

(**) Term: **14 Years**

(21) Appl. No.: **29/183,913**

(22) Filed: **Jun. 18, 2003**

(51) **LOC (7) Cl.** **23-02**

(52) **U.S. Cl.** **D6/521**

(58) **Field of Search** D6/546-50, 518, D6/522-24; D8/300, 303, 315-21, 354, 363, 373, 380; 108/28-29; 211/13.1, 16, 60.1, 86.01, 87.01, 88.01, 88.04, 100, 105.1-105.2, 119.003, 123, 126.1, 133.6, 134, 181.1, 182; 248/175, 176.1, 200, 214, 251, 302, 309.1; 16/110.1, 412, 415; 242/570, 590, 595-598; 206/389, 557

(56) **References Cited**

U.S. PATENT DOCUMENTS

3,370,805 A * 2/1968 Barbee 242/597.5 X
D253,265 S * 10/1979 Miller D6/521

D259,906 S * 7/1981 Fleischmann et al. D6/521
D277,622 S * 2/1985 Servadio D6/521
D298,290 S * 11/1988 Wilkerson D6/521
D378,177 S * 2/1997 Zapp et al. D6/521
D398,466 S * 9/1998 Odom D6/521
D450,962 S * 11/2001 Hundley D6/521
D477,730 S * 7/2003 Hoernig D6/521

* cited by examiner

Primary Examiner—Brian N. Vinson
(74) *Attorney, Agent, or Firm*—Edgar A. Zarins; Lloyd D. Doigan

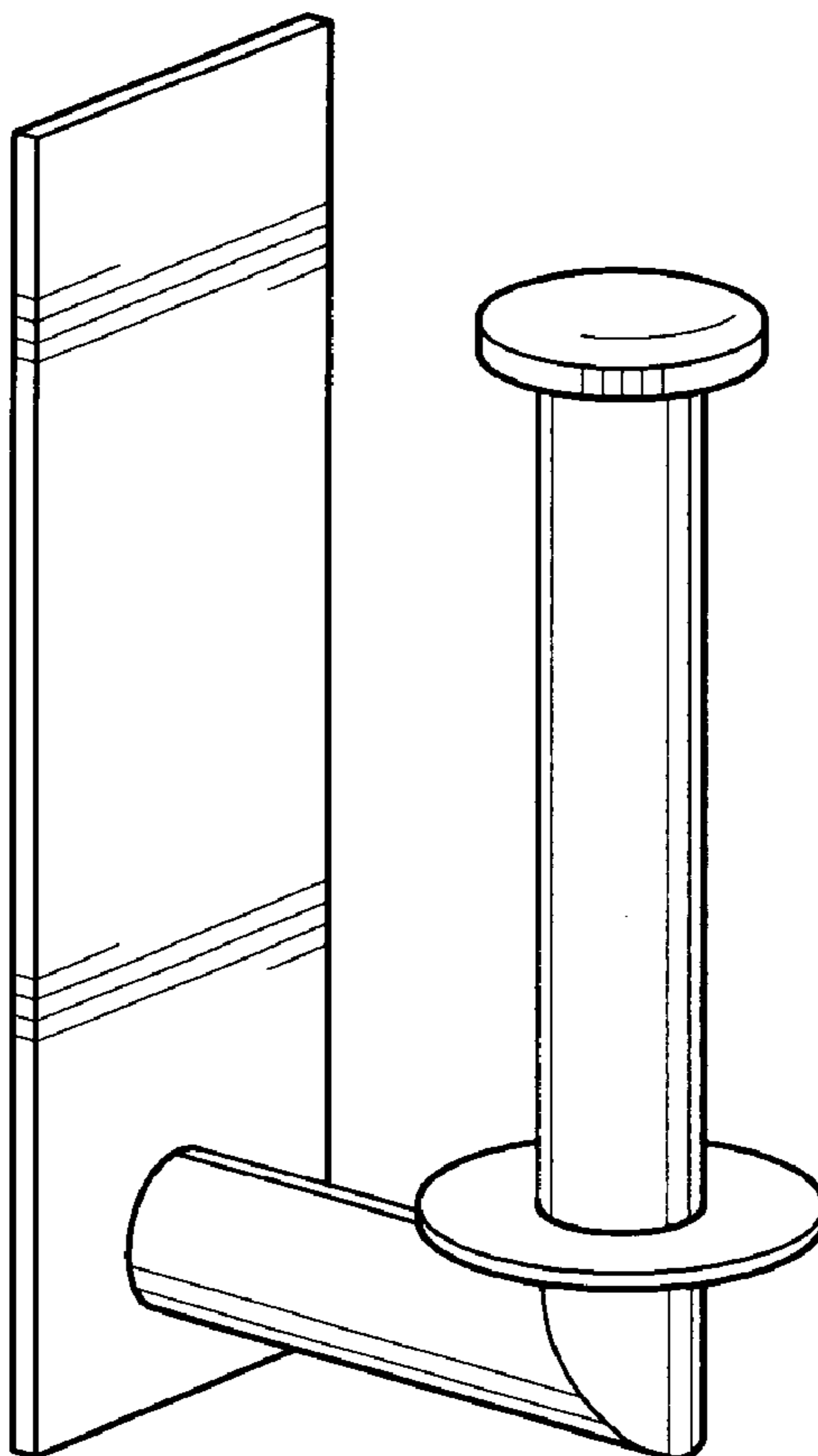
(57) **CLAIM**

The ornamental design for a tissue holder, as shown and described.

DESCRIPTION

FIG. 1 is a perspective view of a tissue holder showing my new design;
FIG. 2 is a front elevational view thereof;
FIG. 3 is a top plan view thereof;
FIG. 4 is a bottom plan view thereof; and,
FIG. 5 is a right side view thereof, the opposite side being a mirror image of the side shown.

1 Claim, 1 Drawing Sheet



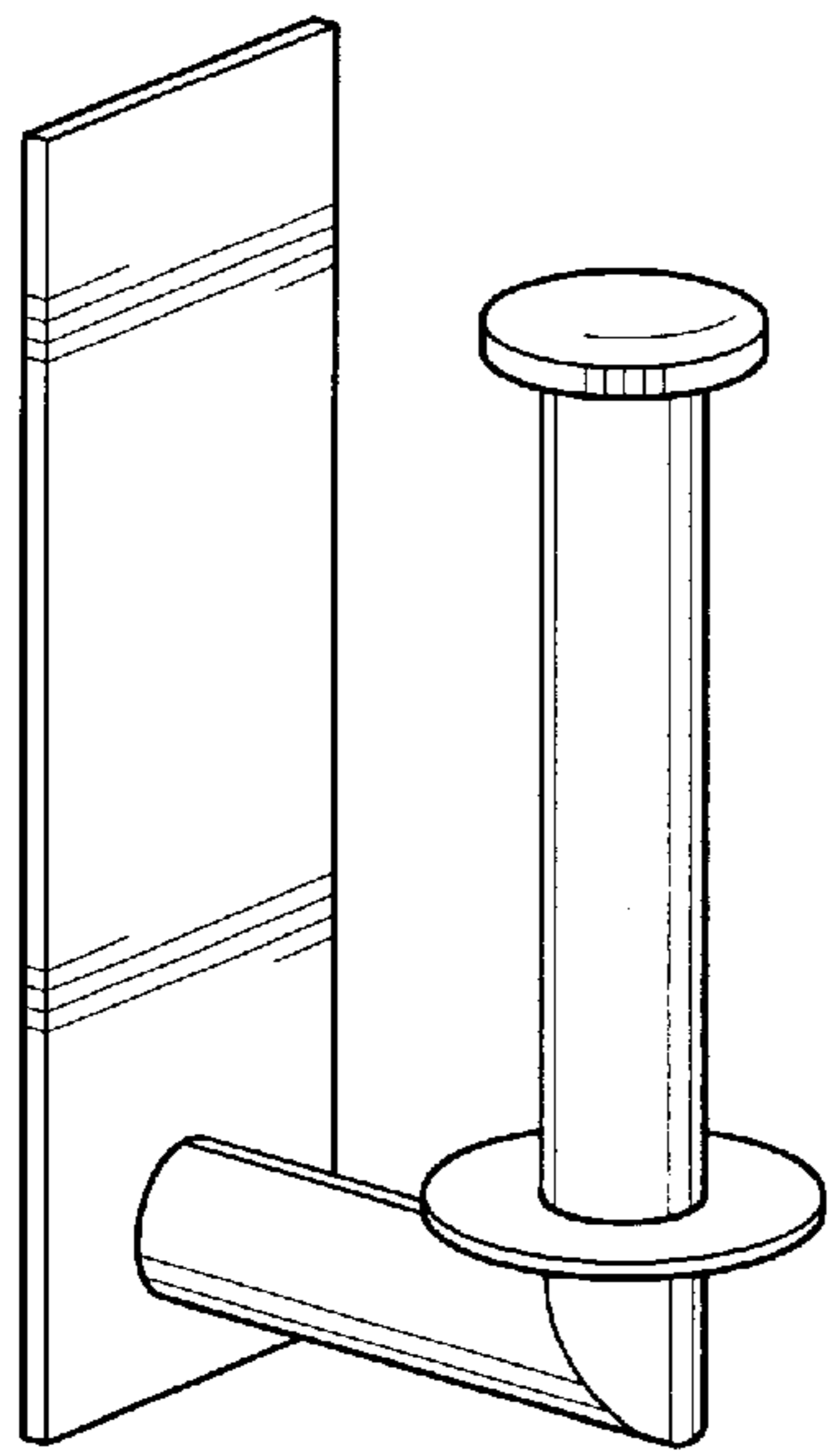


Fig-1

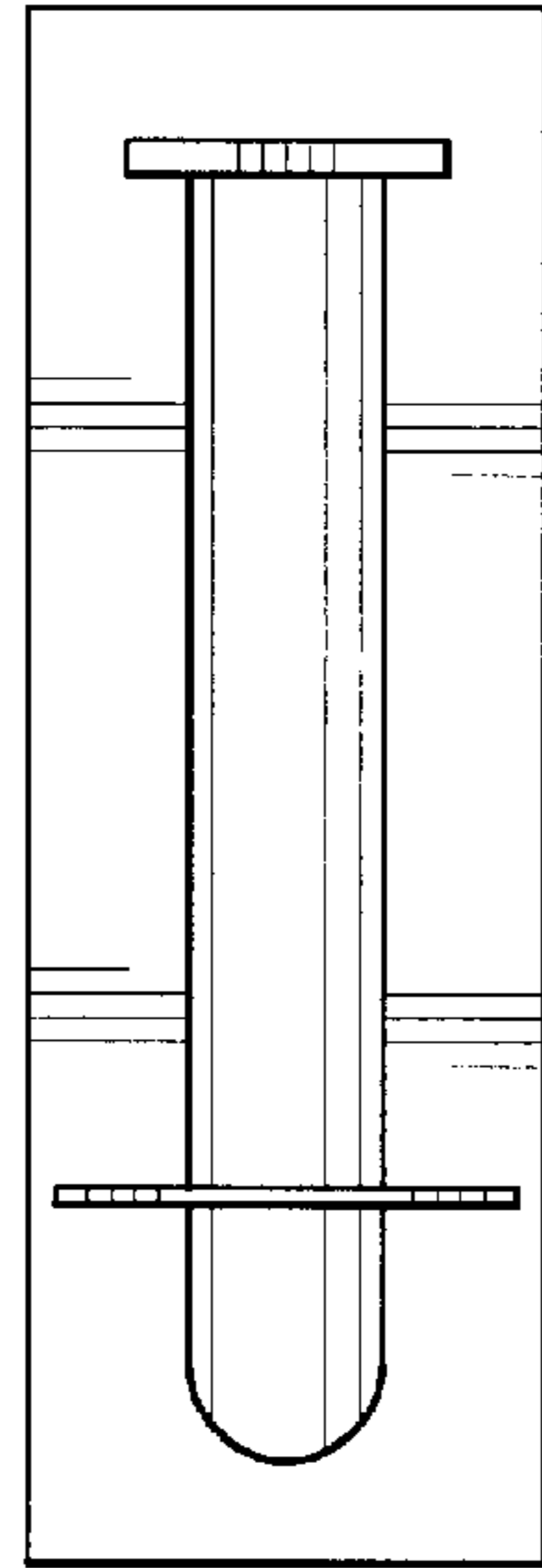


Fig-2

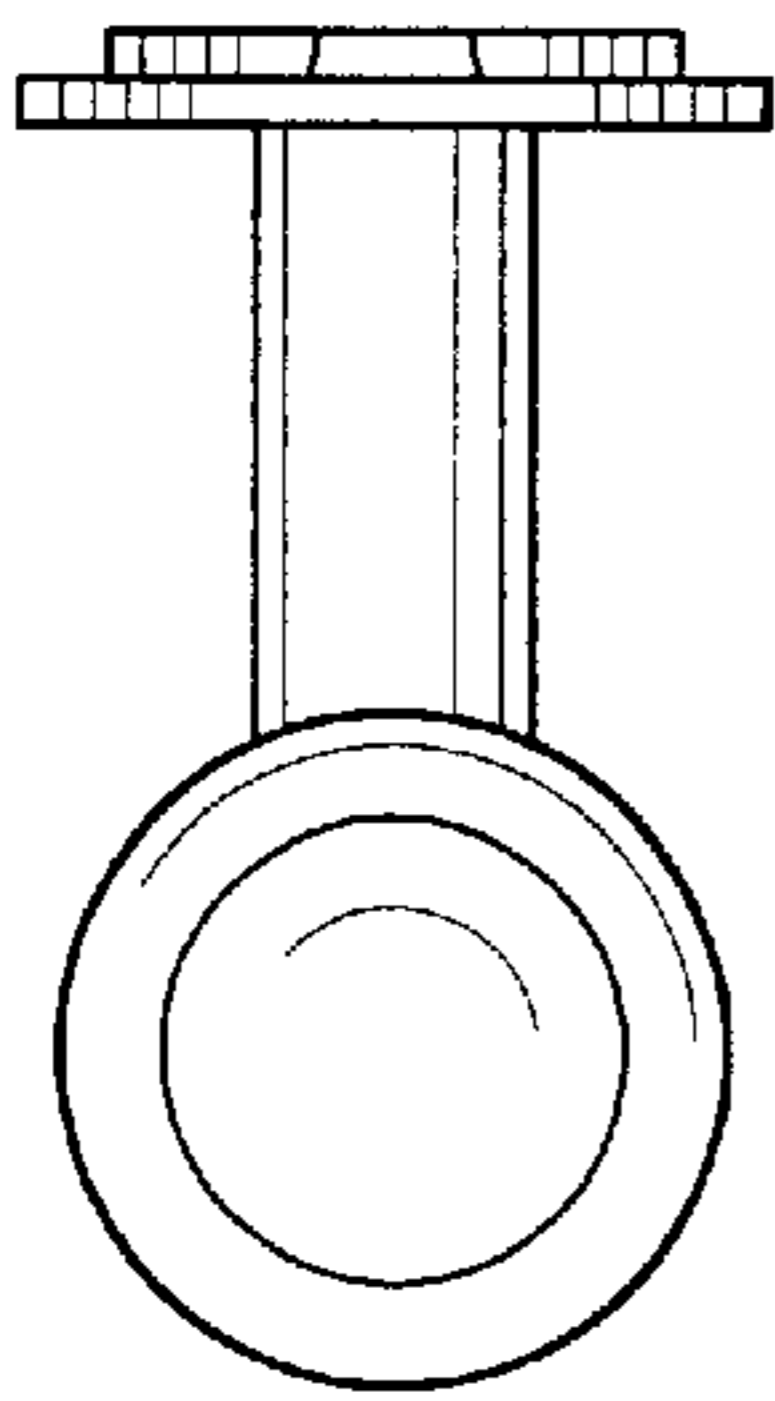


Fig-3

Fig-4

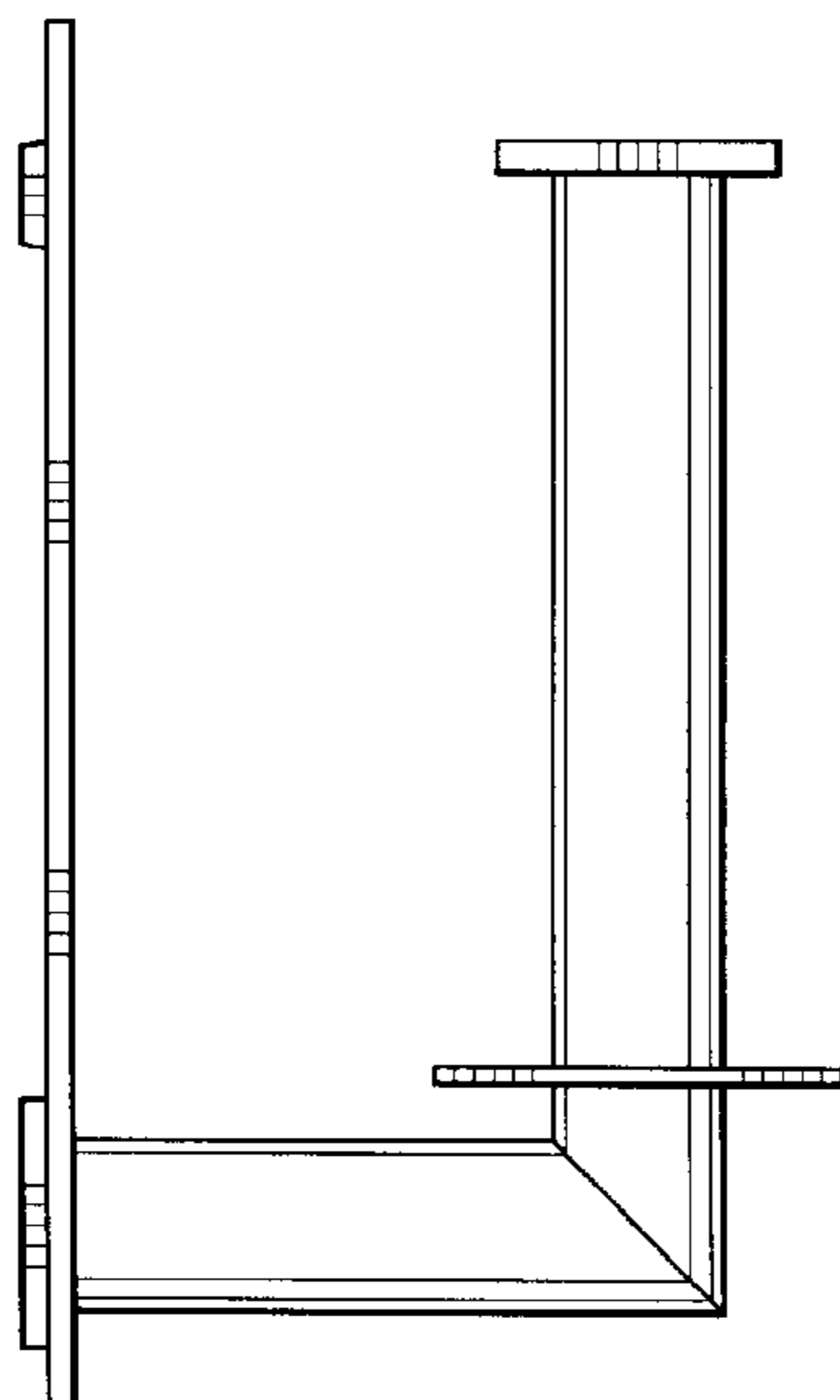
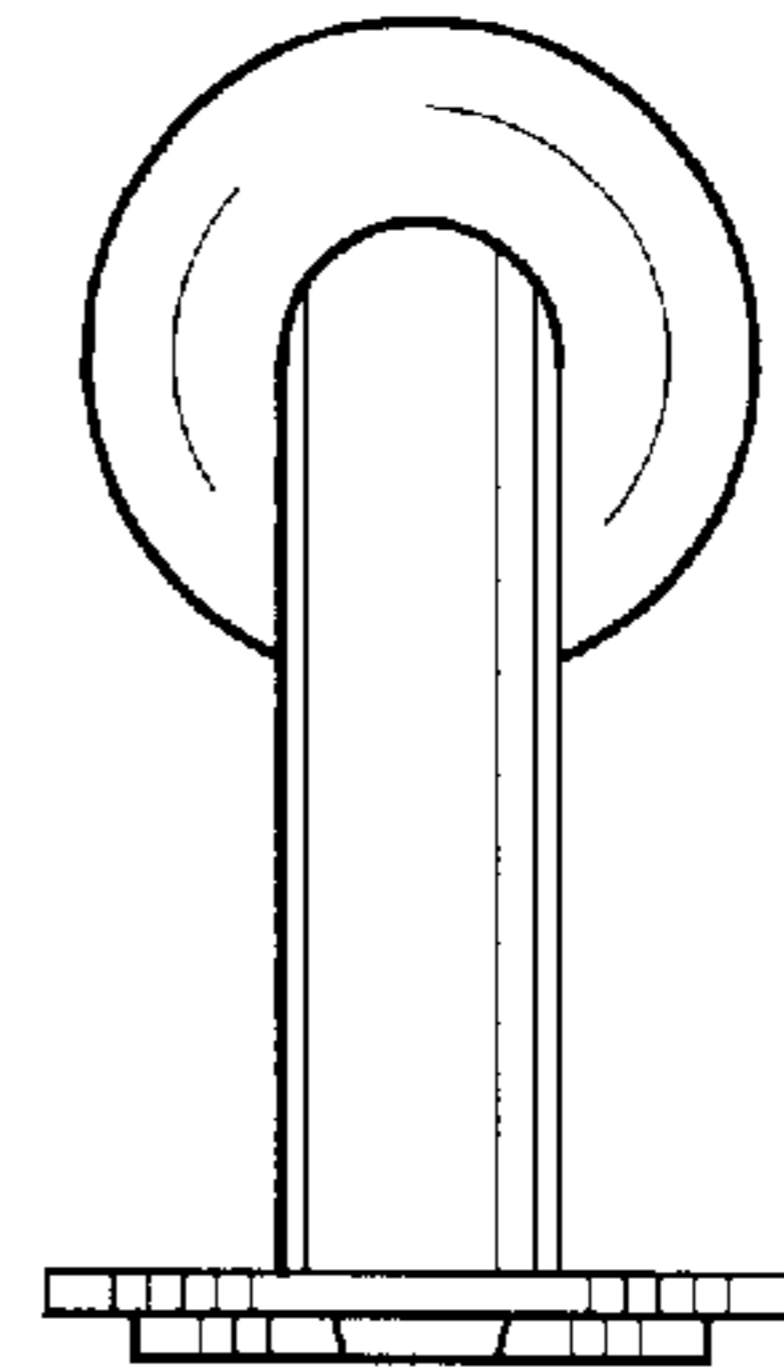


Fig-5