



US00D486329S

(12) **United States Design Patent**  
**Strong et al.**

(10) **Patent No.:** **US D486,329 S**

(45) **Date of Patent:** **\*\* Feb. 10, 2004**

(54) **TABLE**

(75) Inventors: **L. Curtis Strong**, Clearfield, UT (US);  
**Robert A. Astle**, Logan, UT (US)

(73) Assignee: **Lifetime Products, Inc.**, Clearfield, UT (US)

(\*\*) Term: **14 Years**

(21) Appl. No.: **29/177,629**

(22) Filed: **Mar. 12, 2003**

(51) **LOC (7) Cl.** ..... **06-03**

(52) **U.S. Cl.** ..... **D6/487**

(58) **Field of Search** ..... D6/480-489, 495-499,  
D6/511; 108/153.1, 155, 156, 157.1, 161,  
125, 127; 248/188, 188.1, 188.8

(56) **References Cited**

**U.S. PATENT DOCUMENTS**

D376,712 S \* 12/1996 Mezger ..... D6/487

D433,259 S \* 11/2000 Rashid ..... D6/511

D455,918 S \* 4/2002 Moore ..... D6/487

D473,735 S \* 4/2003 Moore ..... D6/487

\* cited by examiner

*Primary Examiner*—Janice E. Seeger

(74) *Attorney, Agent, or Firm*—Workman Nydegger

(57) **CLAIM**

The ornamental design for a table, as shown and described.

**DESCRIPTION**

FIG. 1 is a top perspective view of a table;

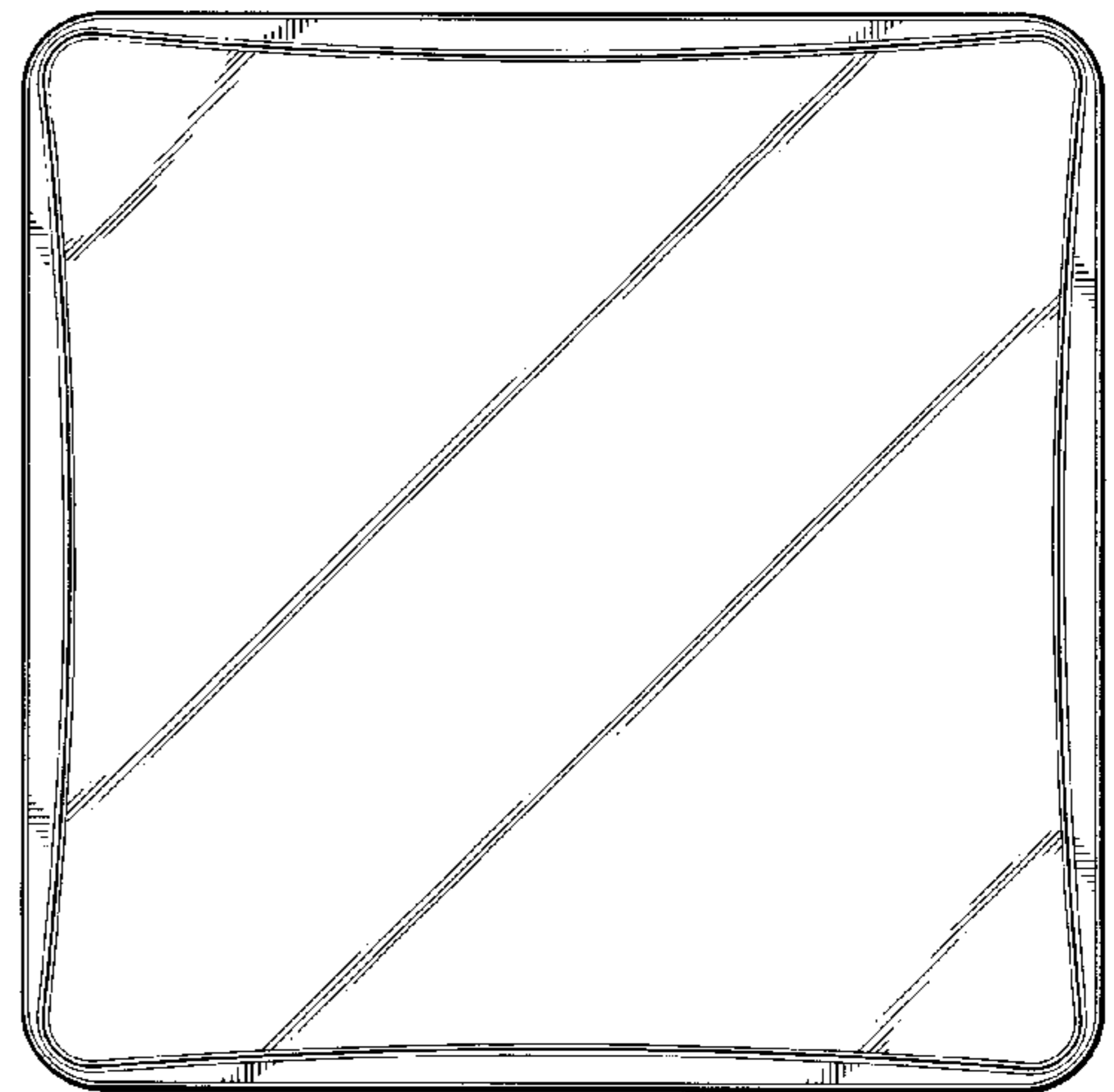
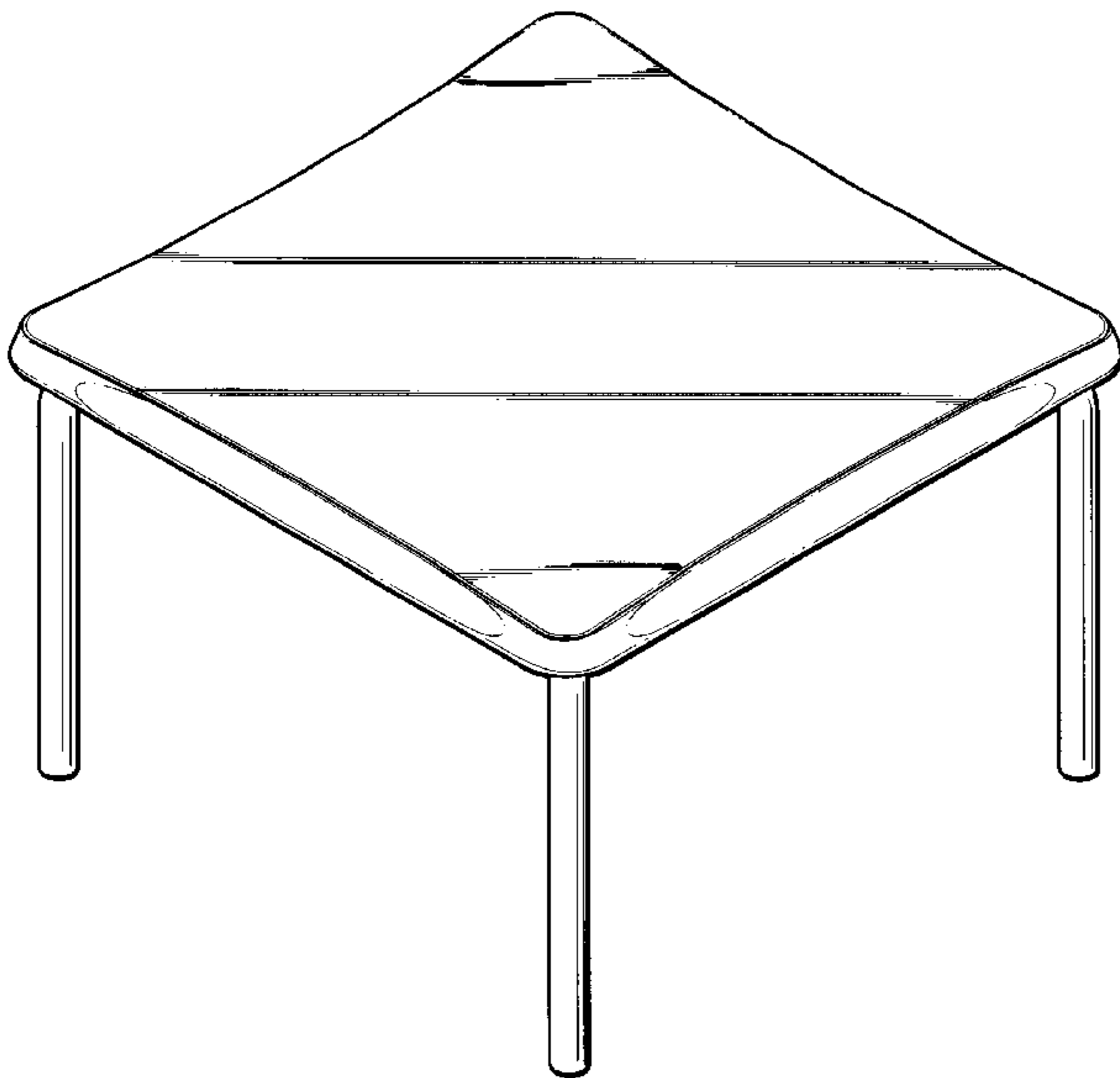
FIG. 2 is a bottom perspective view of the table shown in FIG. 1;

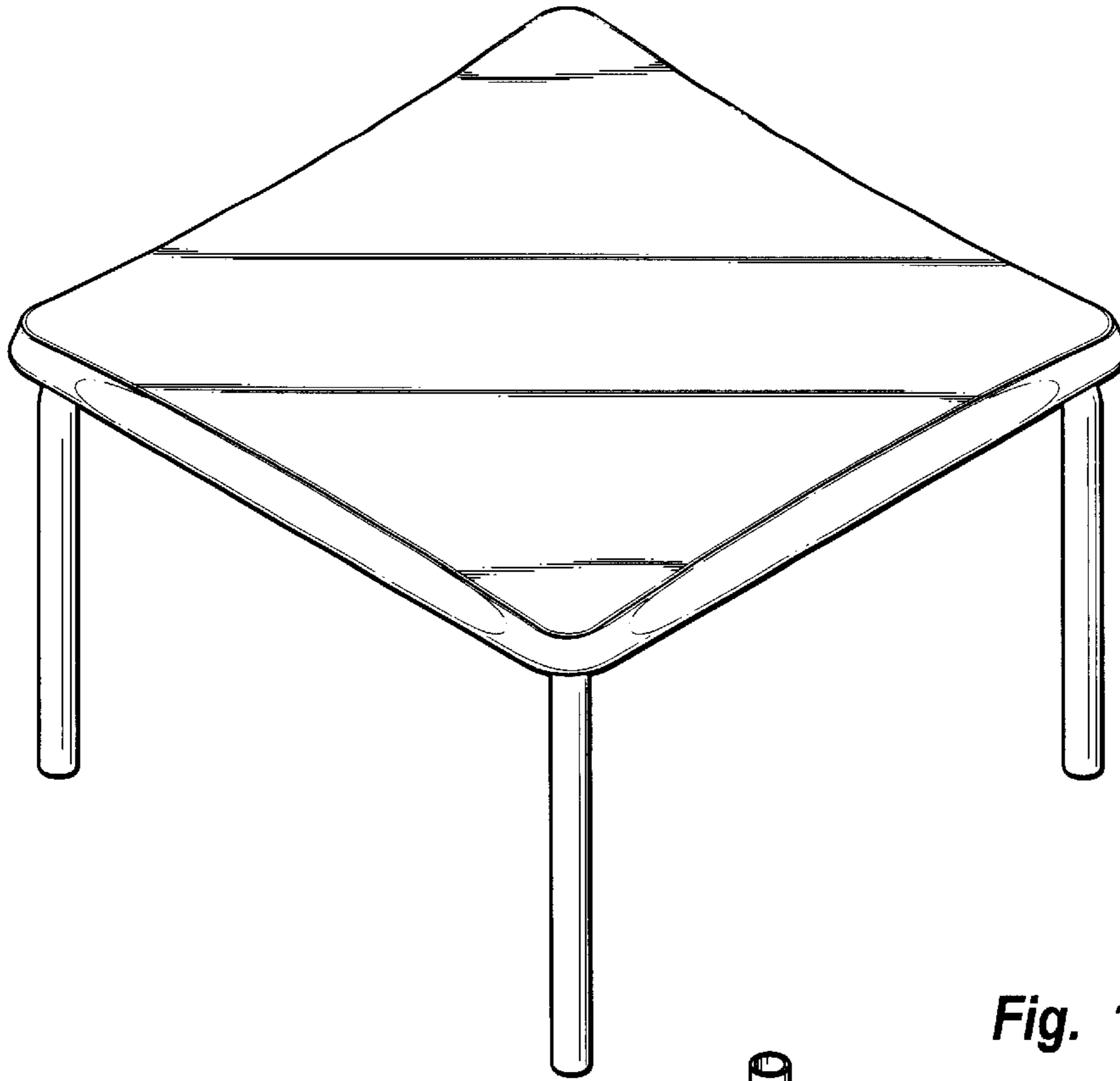
FIG. 3 is a top view of the table shown in FIG. 1;

FIG. 4 is a bottom view of the table shown in FIG. 1; and,

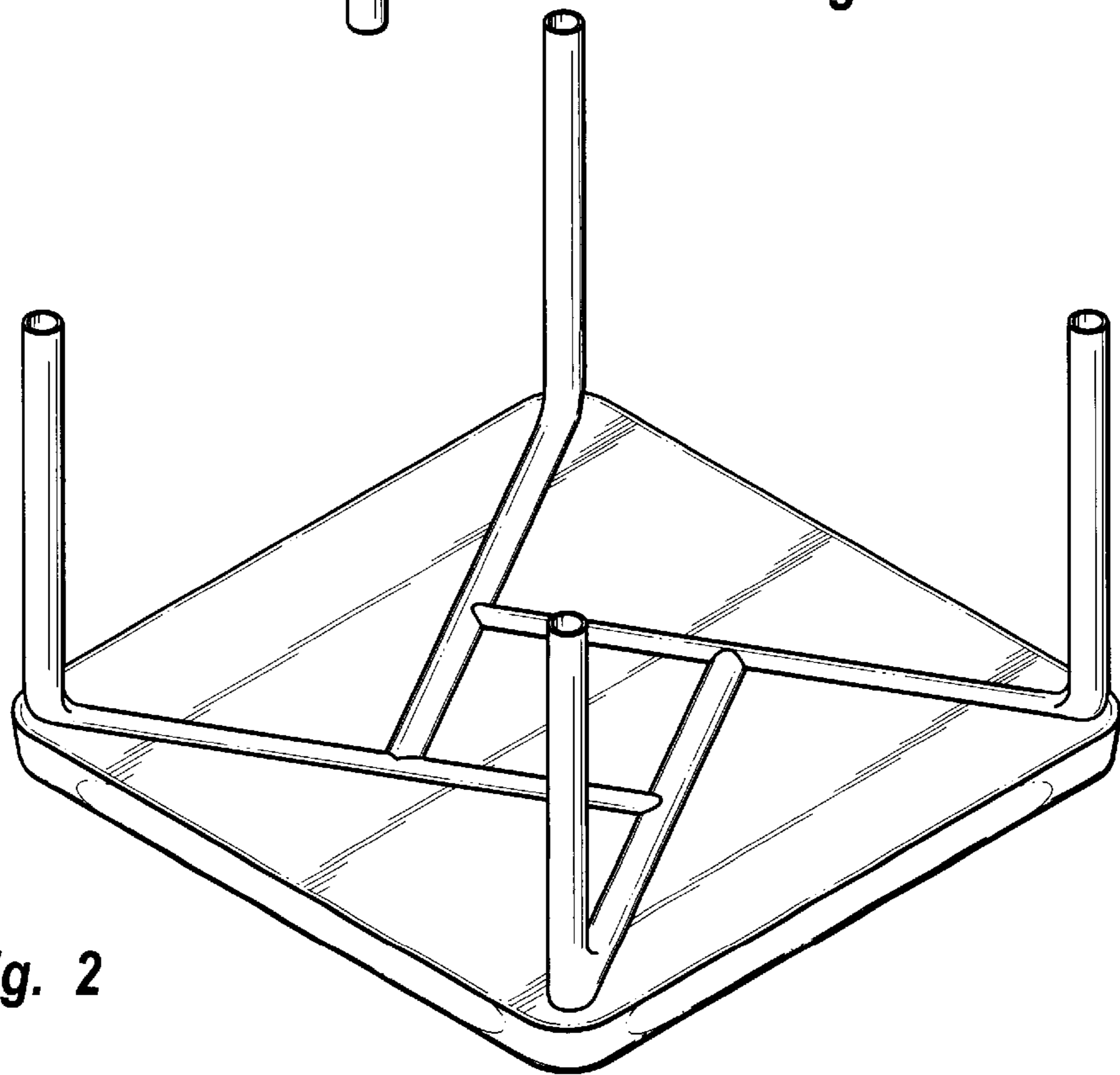
FIG. 5 is a front view of the table shown in FIG. 1, with the back, right side and left side views being the same.

**1 Claim, 3 Drawing Sheets**

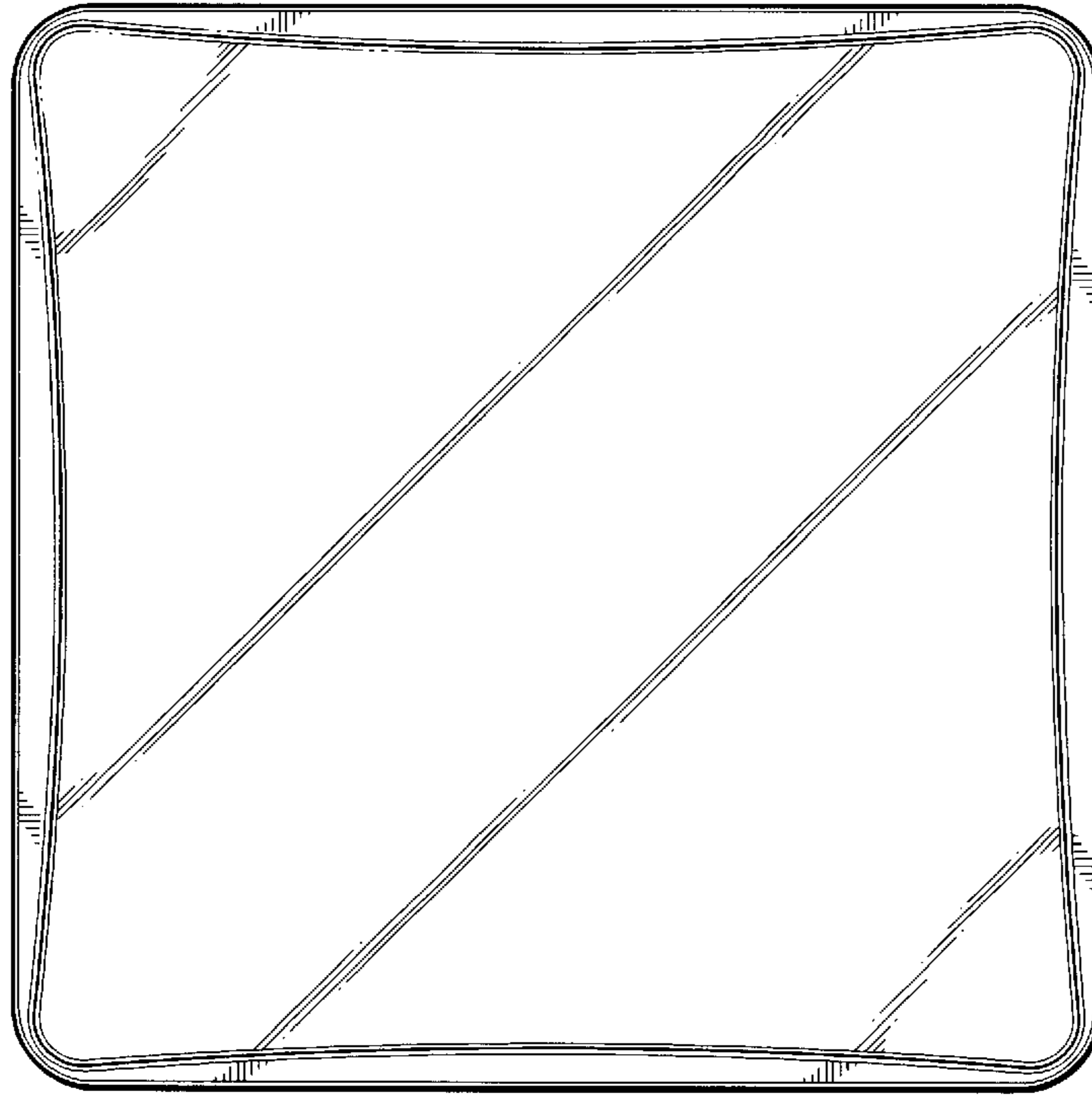




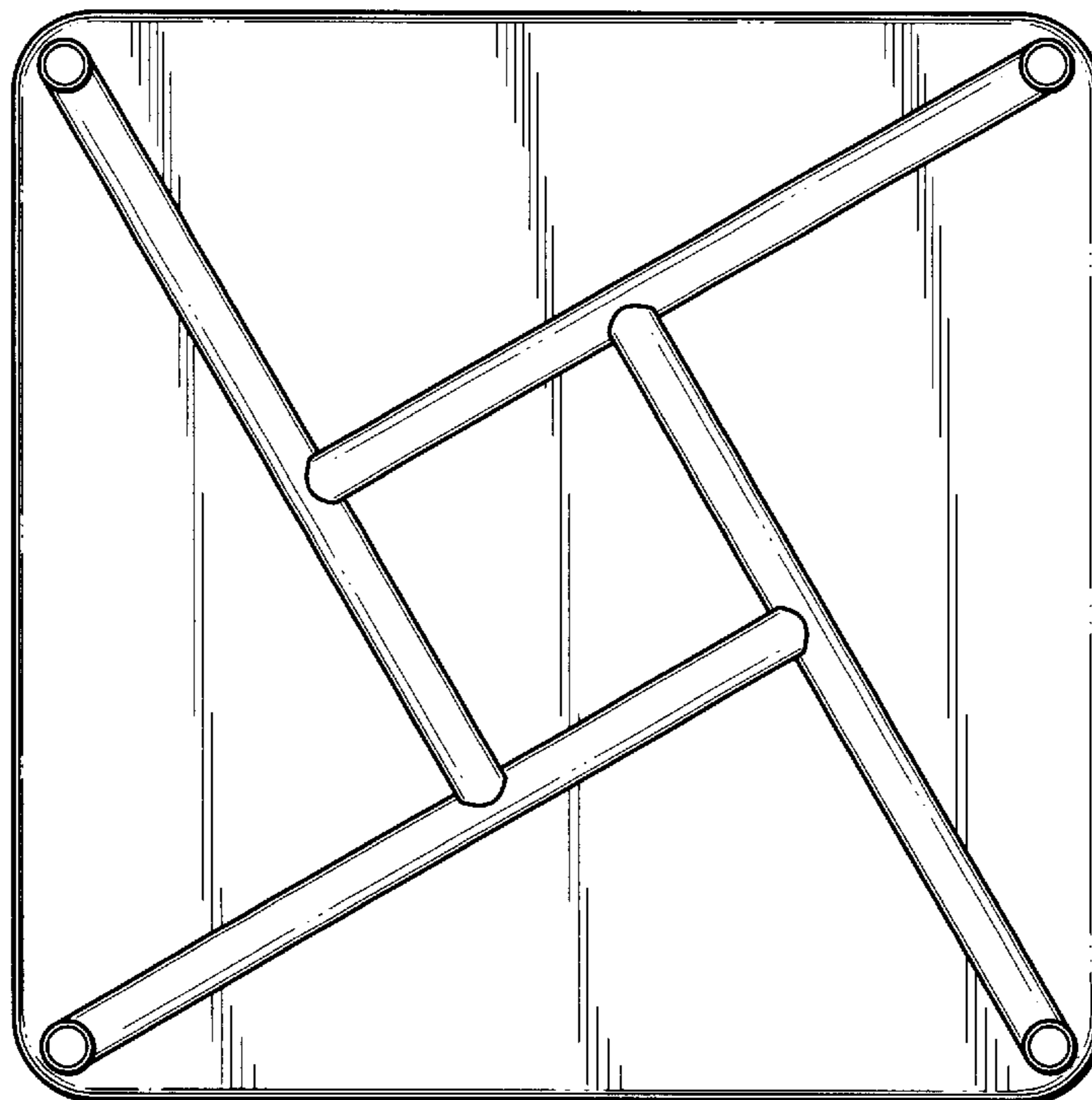
*Fig. 1*



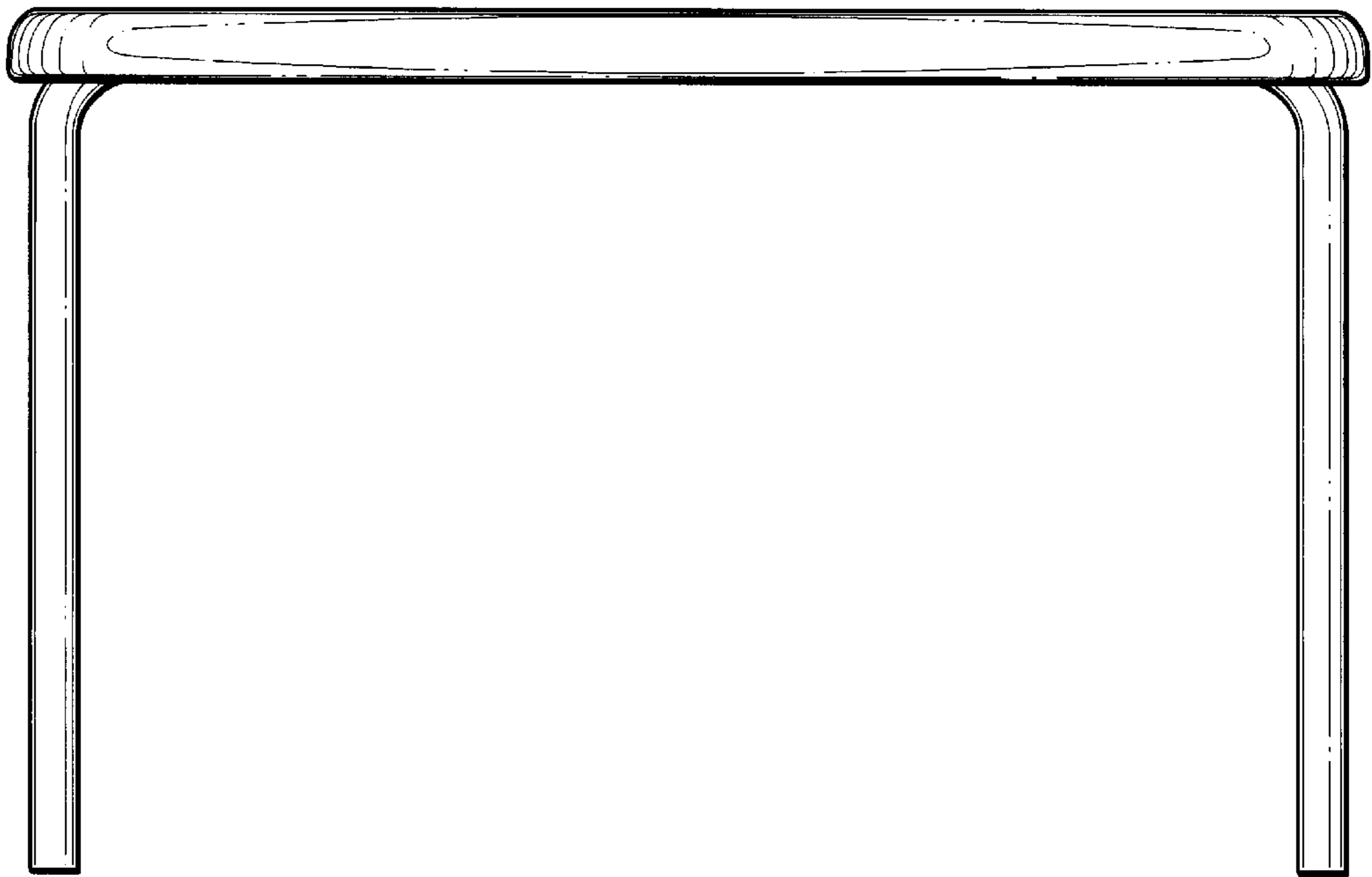
*Fig. 2*



*Fig. 3*



*Fig. 4*



*Fig. 5*