



US00D486325S

(12) **United States Design Patent**
Wanek et al.

(10) **Patent No.:** **US D486,325 S**
(45) **Date of Patent:** **** Feb. 10, 2004**

(54) **TABLE**

D469,636 S * 2/2003 OHare D6/480

(75) Inventors: **Ronald G. Wanek**, Arcadia, WI (US);
Randy D. Domack, Trempealeau, WI (US)

(73) Assignee: **Ashley Furniture Industries, Inc.**,
Arcadia, WI (US)

(**) Term: **14 Years**

(21) Appl. No.: **29/177,794**

(22) Filed: **Mar. 14, 2003**

(51) **LOC (7) Cl.** **06-03**

(52) **U.S. Cl.** **D6/480; D6/436**

(58) **Field of Search** D6/480-489, 511,
D6/495, 432, 441, 436; 108/150, 153.1,
155, 156, 157.1, 161; 248/188, 188.1, 188.8

(56) **References Cited**

U.S. PATENT DOCUMENTS

D243,813 S	3/1977	Pratt	
D367,785 S	3/1996	Lewis	
D376,711 S	* 12/1996	Harris D6/480
D404,596 S	1/1999	Luong et al.	
D416,723 S	* 11/1999	Hsieh D6/511
D461,656 S	* 8/2002	Stanton D6/488

OTHER PUBLICATIONS

Harden, 1381 Oval Cocktail Table, www.harden.com.
Thomasville, Oval Cocktail Table 39631-123, www.thomasville.com.
Thomasville, Oval End Table 38031-220, www.thomasville.com.

* cited by examiner

Primary Examiner—Janice E. Seeger
(74) *Attorney, Agent, or Firm*—Patterson, Thuente, Skaar & Christensen, P.A.

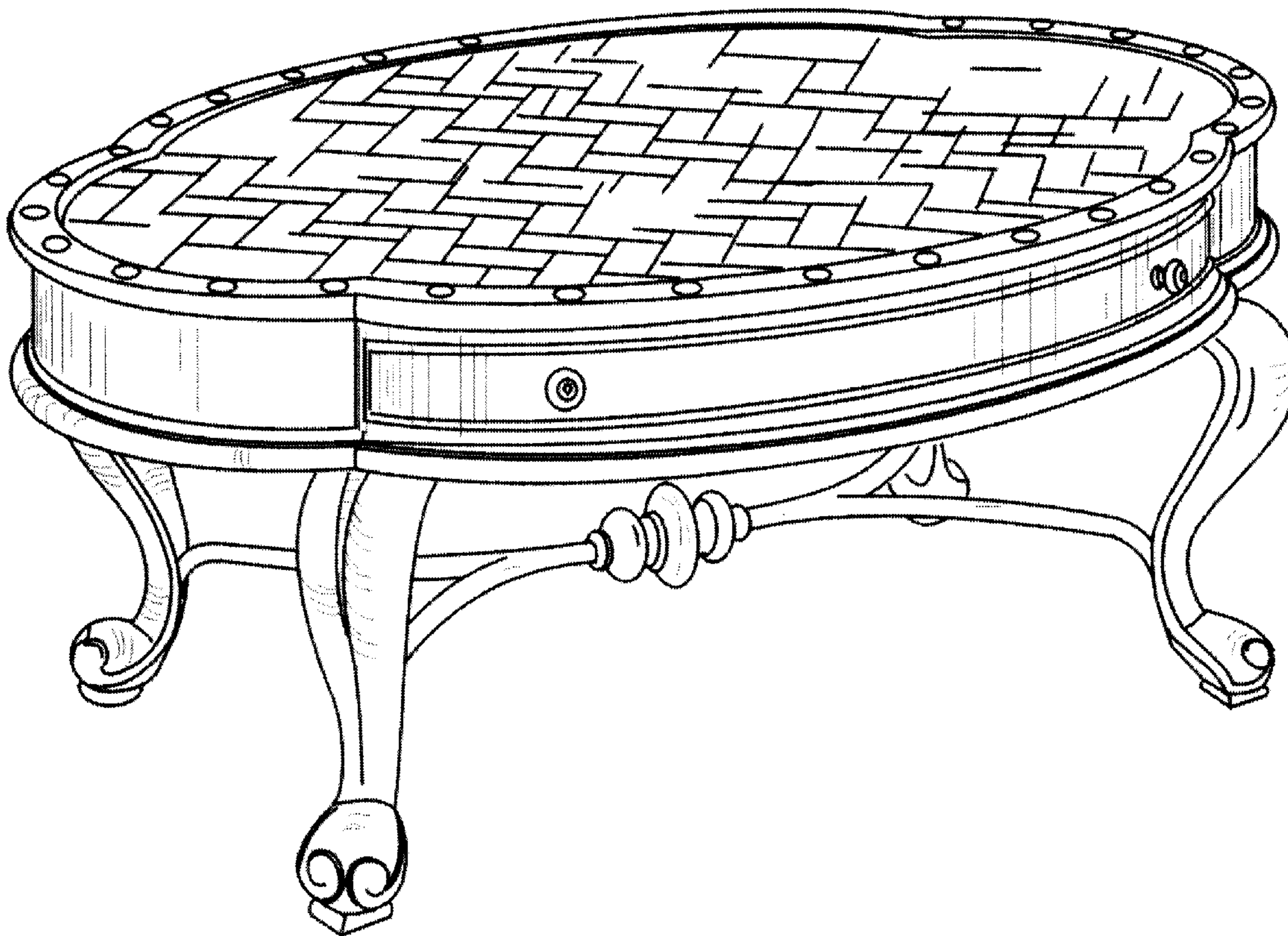
(57) **CLAIM**

The ornamental design for a table, as shown and described.

DESCRIPTION

FIG. 1 is a left front perspective view of a table showing the design of the present invention.
FIG. 2 is a left back perspective view of a table showing the design of the present invention.
FIG. 3 is a front elevation view of a table showing the design of the present invention; and,
FIG. 4 is a right side elevation view of a table showing the design of the present invention.

1 Claim, 3 Drawing Sheets



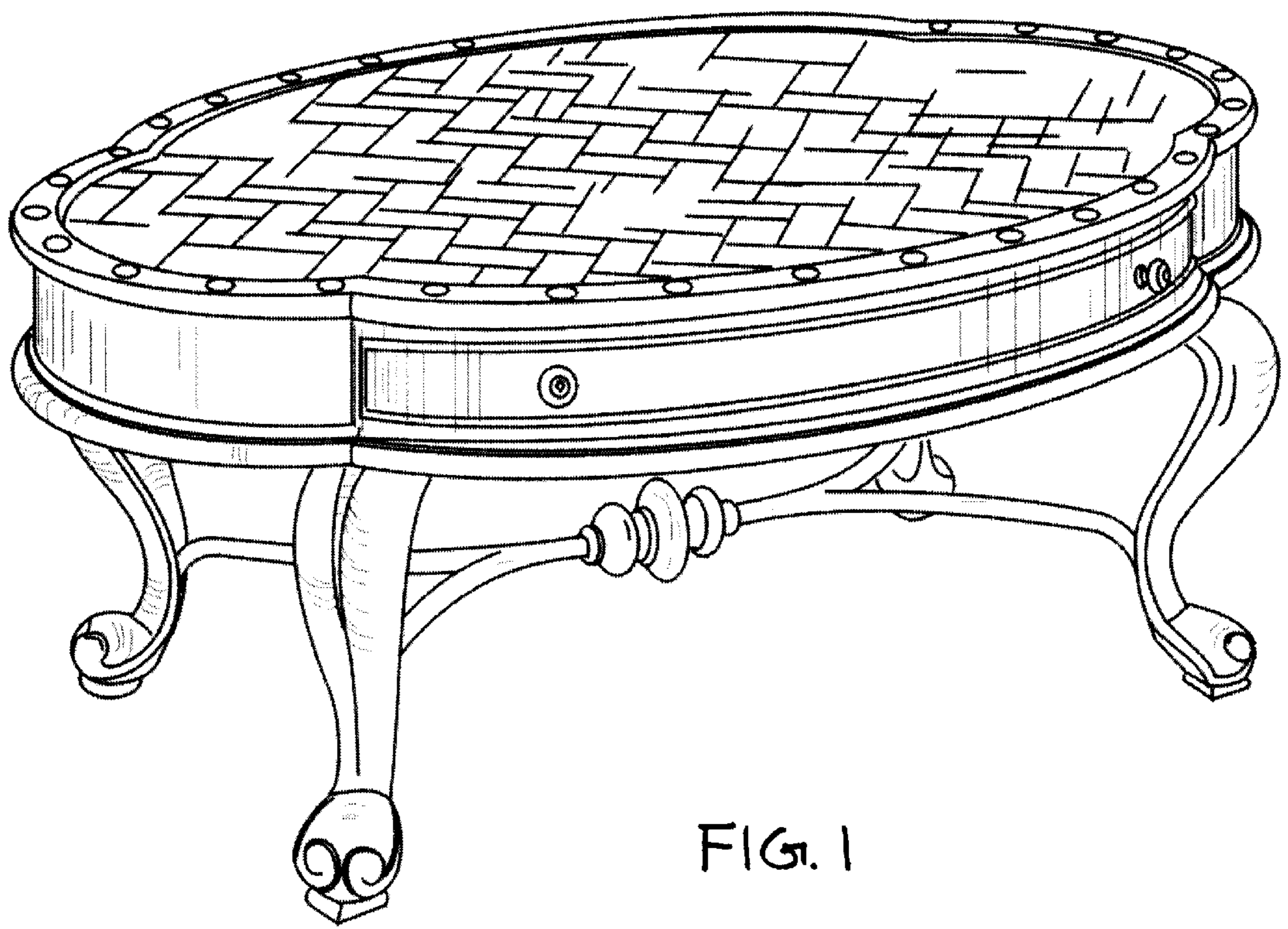


FIG. 1

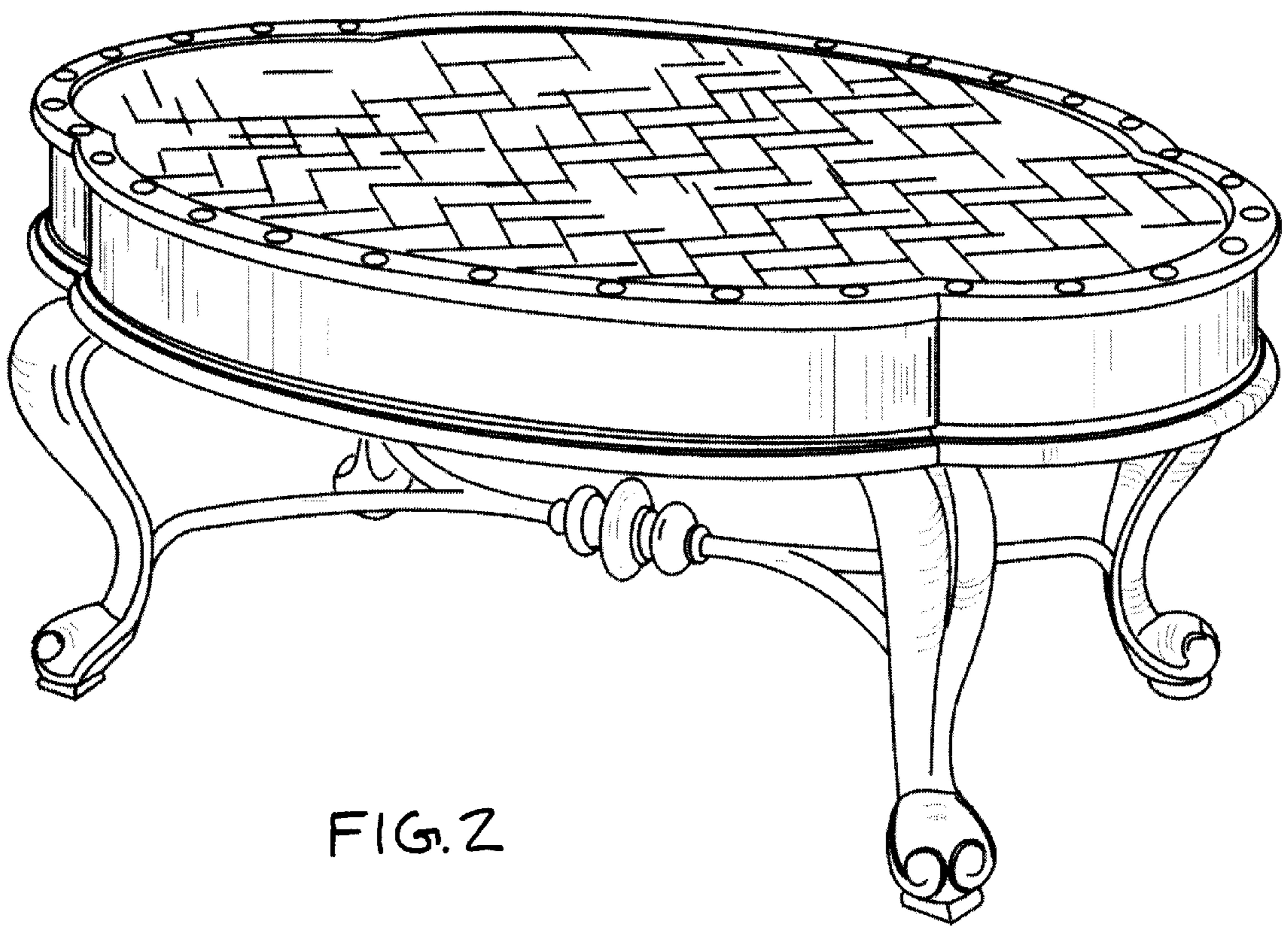


FIG. 2

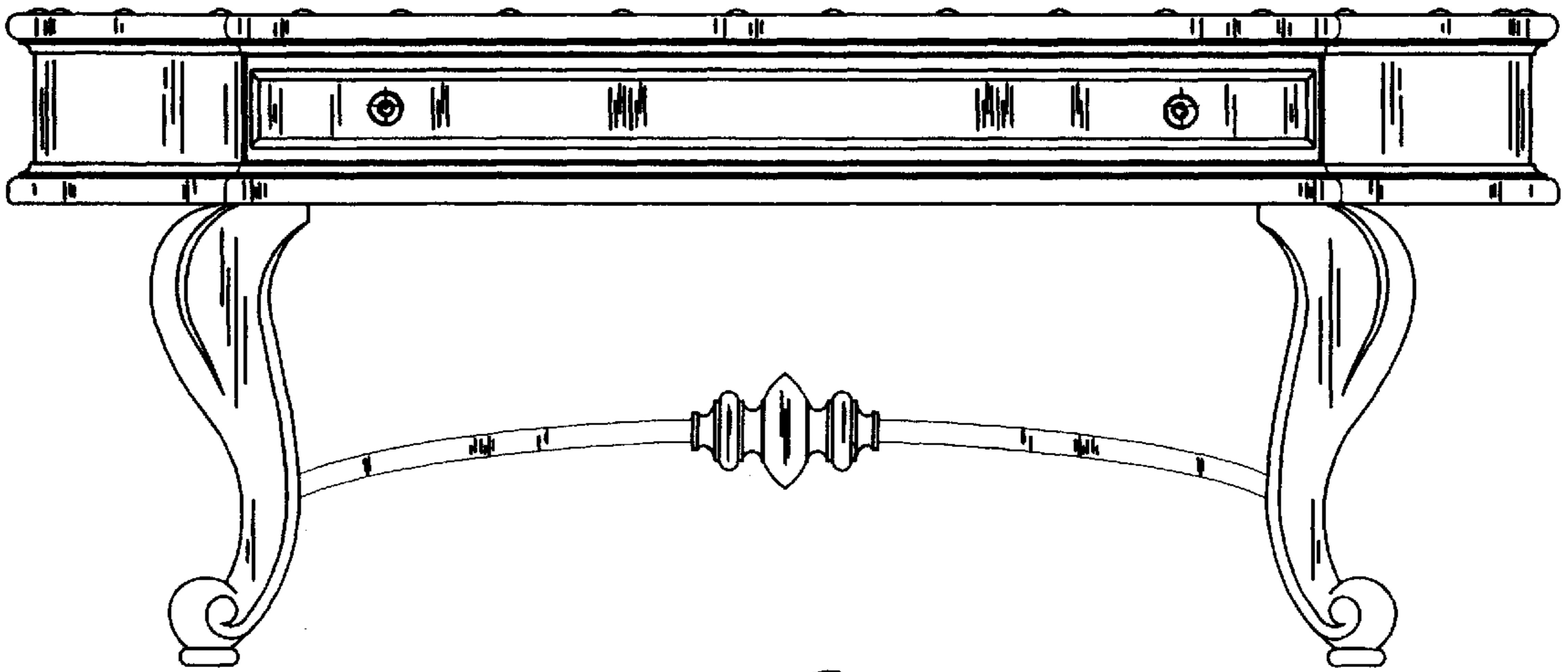


FIG. 3

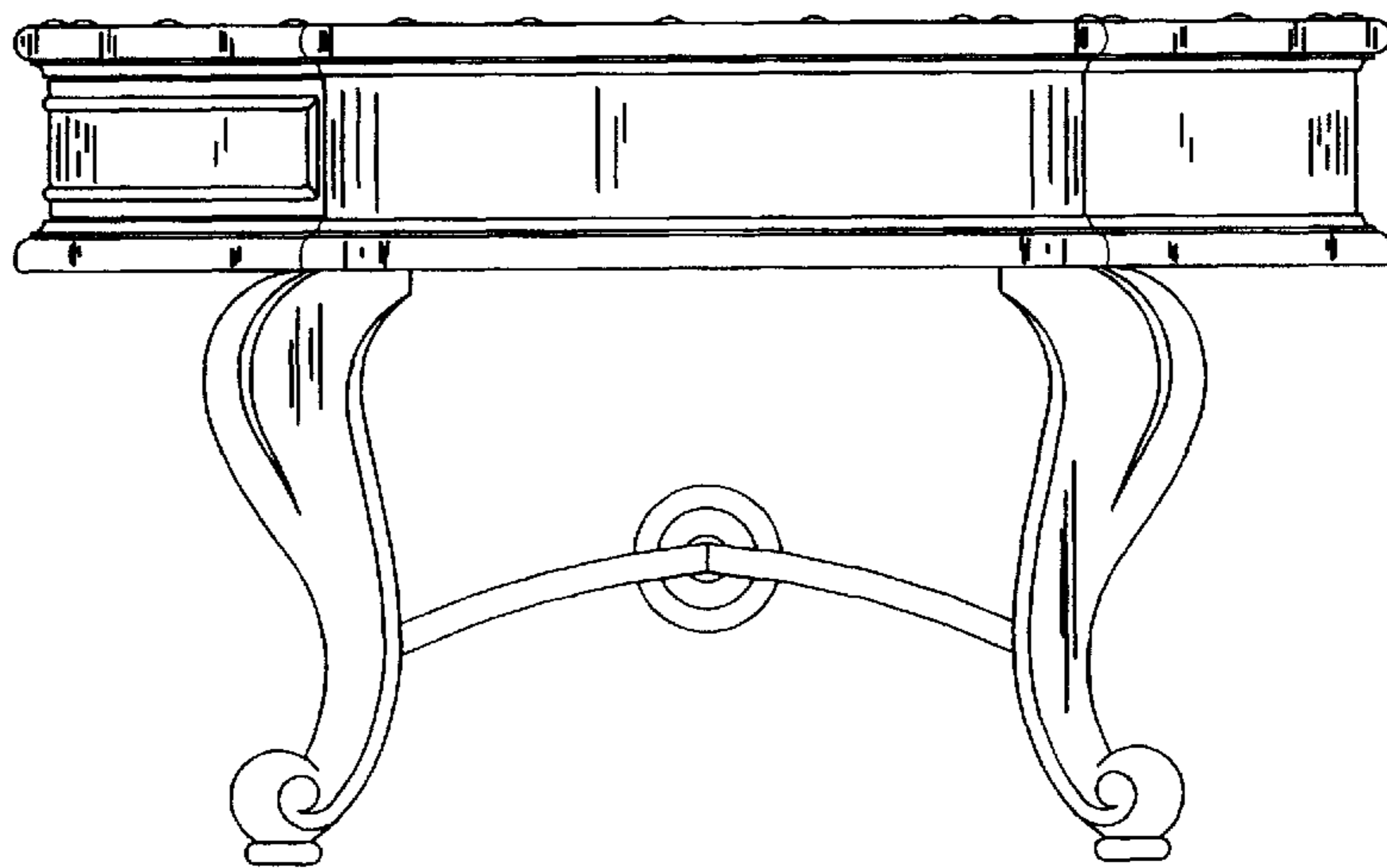


FIG. 4