



US00D486322S

(12) **United States Design Patent**  
**Hansen**

(10) **Patent No.:** **US D486,322 S**

(45) **Date of Patent:** **\*\* Feb. 10, 2004**

(54) **COMMEMORATIVE PATENT DISPLAY**

(75) **Inventor:** **Ries B. Hansen**, Grafton, WI (US)

(73) **Assignee:** **United States Patent Services, Inc.**,  
Grafton, WI (US)

(\*\*) **Term:** **14 Years**

(21) **Appl. No.:** **29/170,119**

(22) **Filed:** **Oct. 31, 2002**

(51) **LOC (7) Cl.** ..... **06-04**

(52) **U.S. Cl.** ..... **D6/470**

(58) **Field of Search** ..... D6/470-472; D11/131,  
D11/133, 157; 312/114

5,799,511 A	9/1998	Benderly
D409,246 S	* 5/1999	Fereday et al. .... D19/90 X
6,042,904 A	3/2000	Greenblat et al.
D423,796 S	5/2000	Kwan
D430,565 S	* 9/2000	Crane, Jr. et al. .... D11/131 X
6,205,692 B1	3/2001	Kite
D447,143 S	* 8/2001	Crane, Jr. et al. .... D14/439

\* cited by examiner

*Primary Examiner*—Cathron C. Brooks

(74) *Attorney, Agent, or Firm*—Michael Best & Friedrich LLP

(57) **CLAIM**

The ornamental design for a commemorative patent display, as shown and described.

**DESCRIPTION**

FIG. 1 is a perspective view of a commemorative patent display embodying the present invention.

FIG. 2 is a perspective view of the design illustrated in FIG. 1.

FIG. 3 is a perspective view of the design illustrated in FIG. 1.

FIG. 4 is a side view of the design illustrated in FIG. 1; and, FIG. 5 is a top view of the design illustrated in FIG. 1.

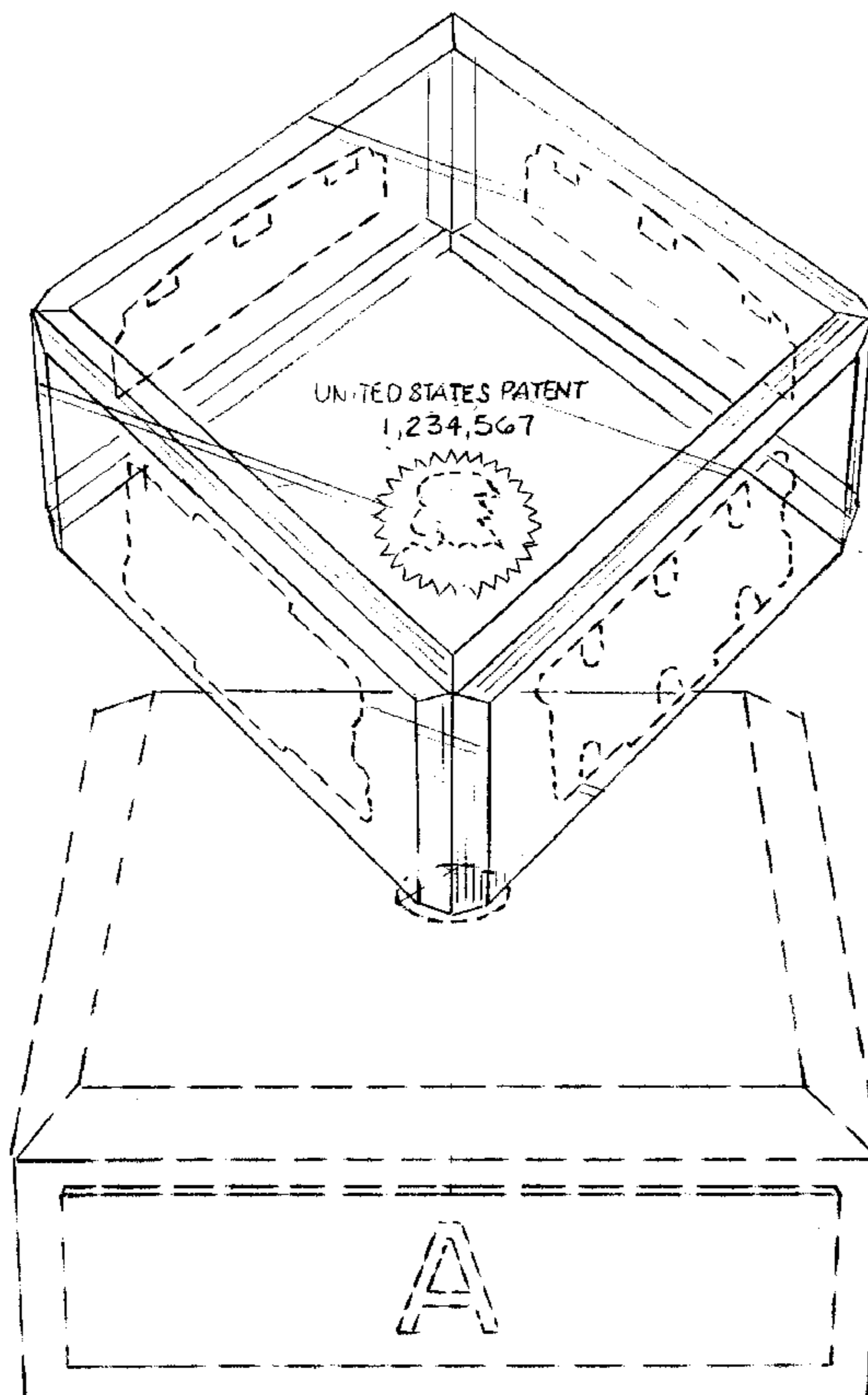
The broken line showing of the environment is for illustrative purposes only and forms no part of the claimed design.

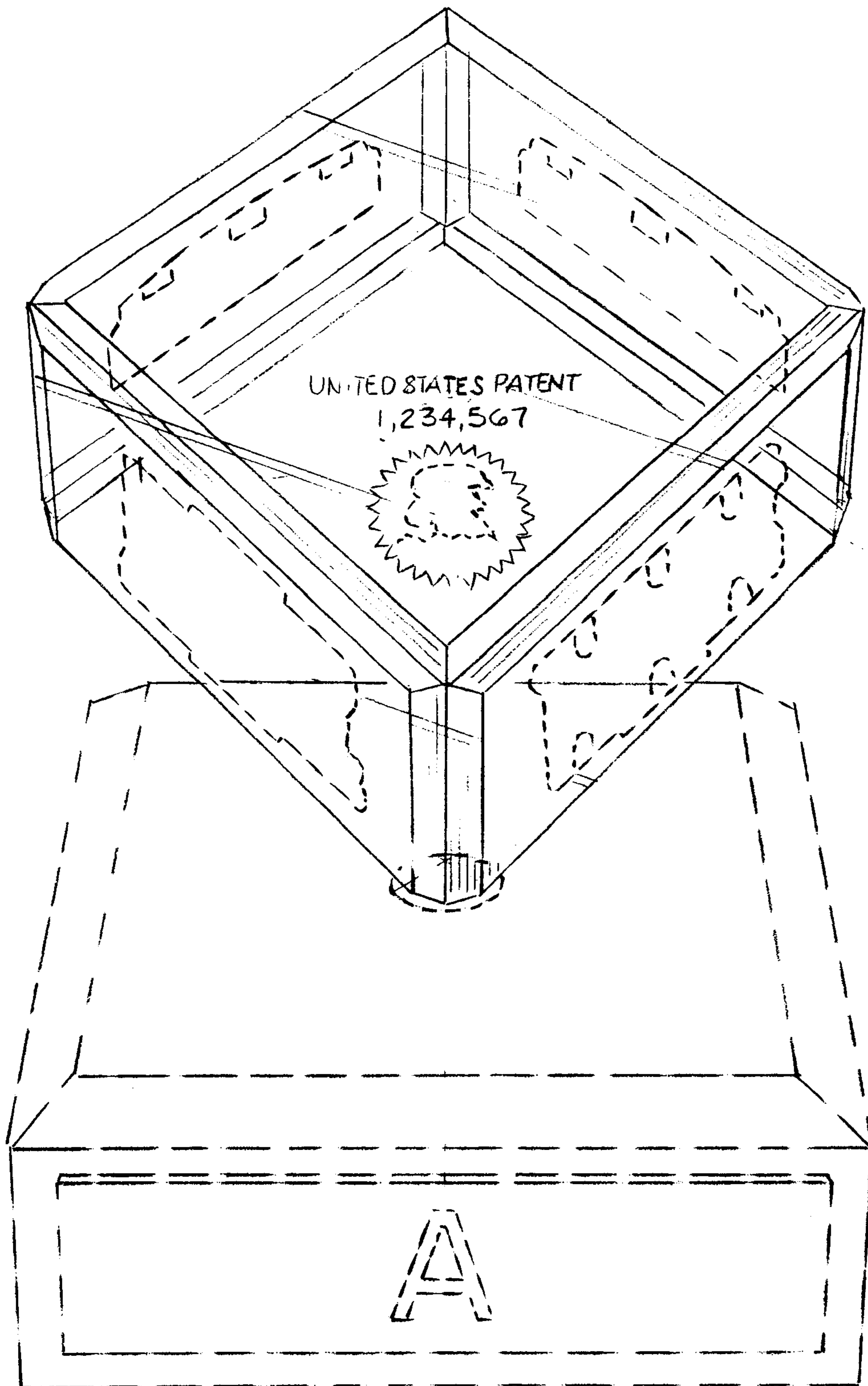
**1 Claim, 4 Drawing Sheets**

(56) **References Cited**

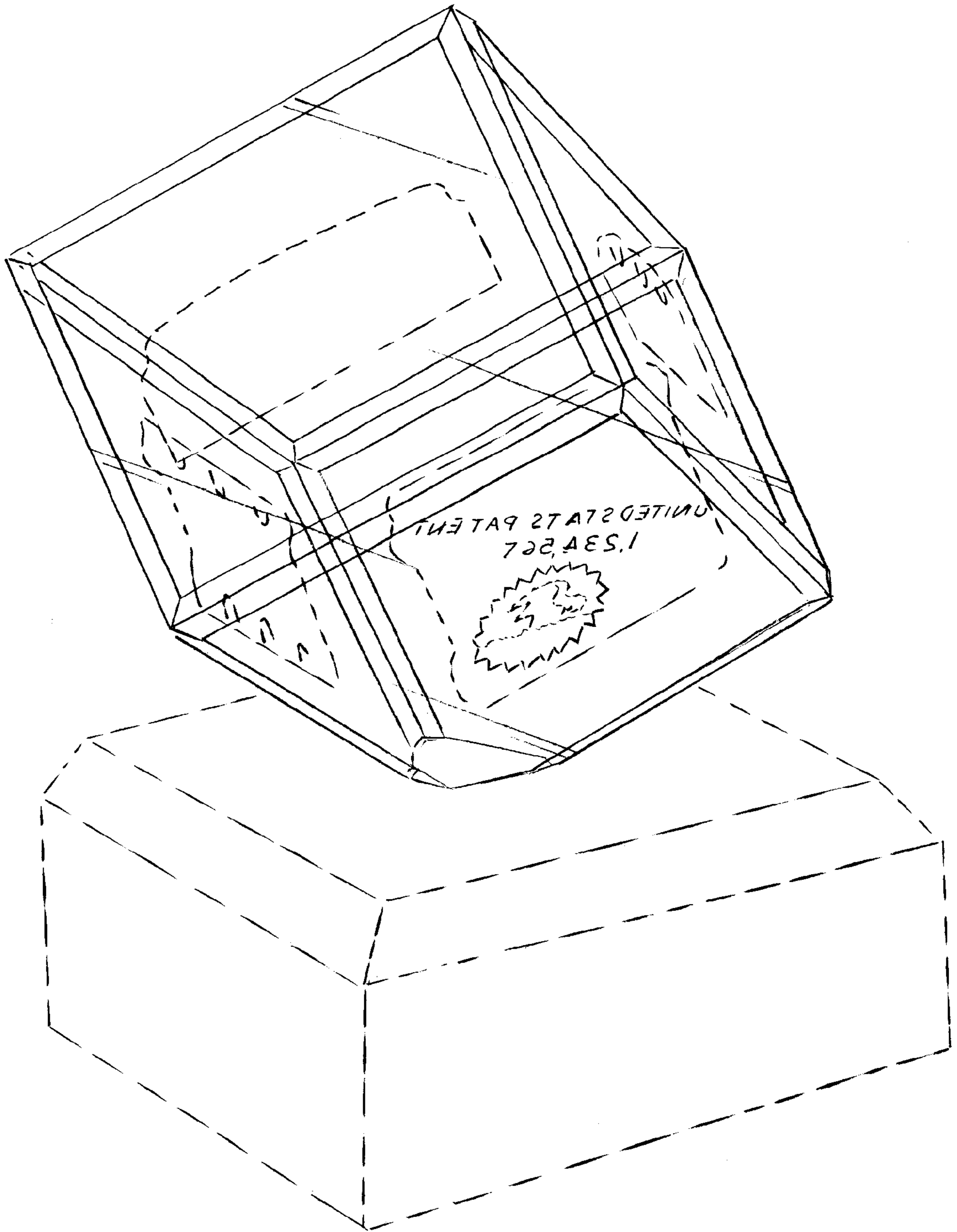
**U.S. PATENT DOCUMENTS**

2,023,260 A	* 12/1935	Beers et al. ....	312/114
2,548,706 A	* 4/1951	Corning .....	40/661
D229,458 S	* 12/1973	Schneider .....	D6/471 X
D269,075 S	5/1983	Dane	
4,546,019 A	10/1985	Schneider	
D306,377 S	3/1990	Cotutsca	
D351,518 S	* 10/1994	Burgess .....	D6/470
D357,704 S	4/1995	Wolff	
5,419,940 A	5/1995	Wood et al.	
D375,916 S	11/1996	Cotner	
5,704,103 A	1/1998	Crowley et al.	

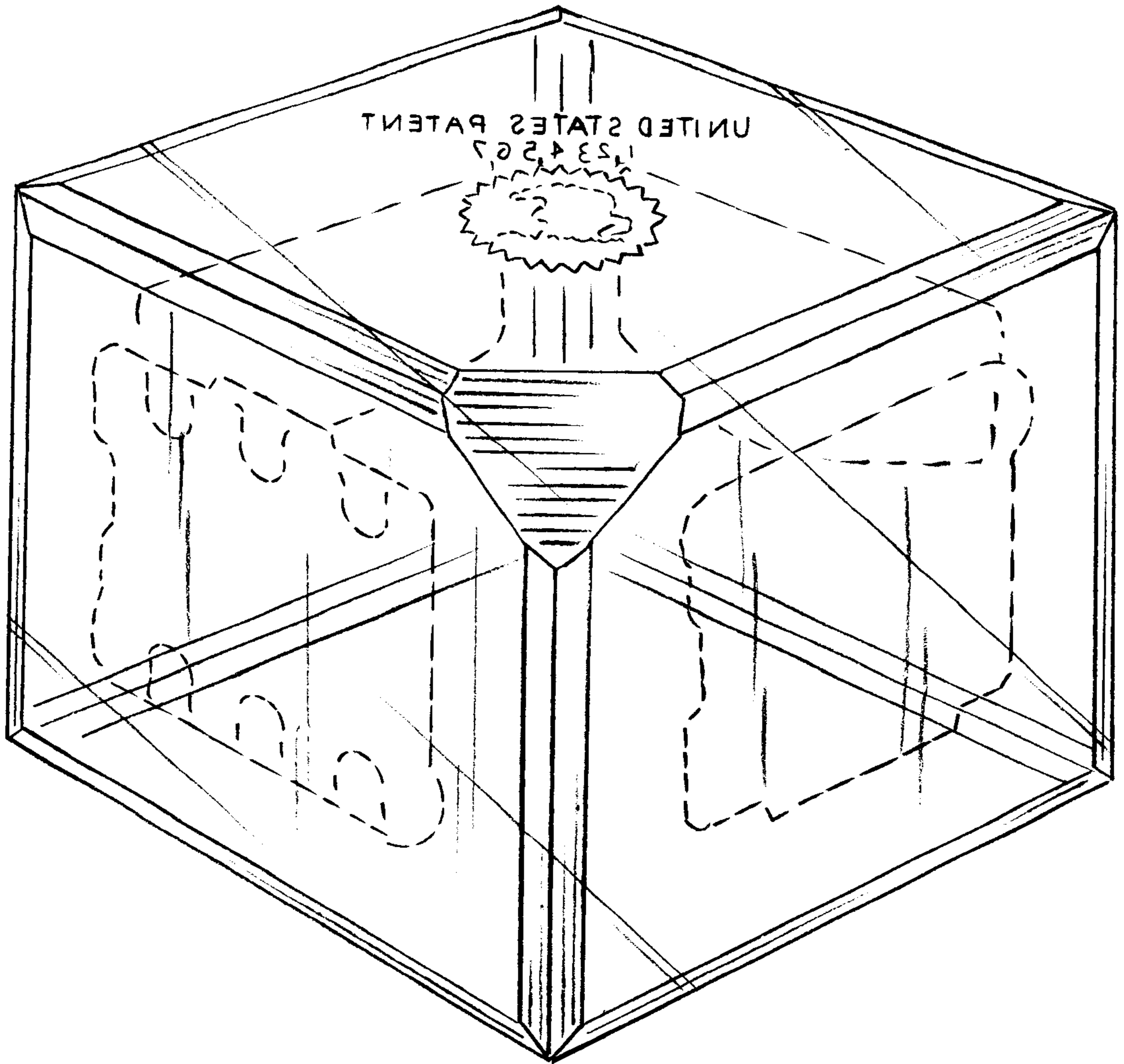




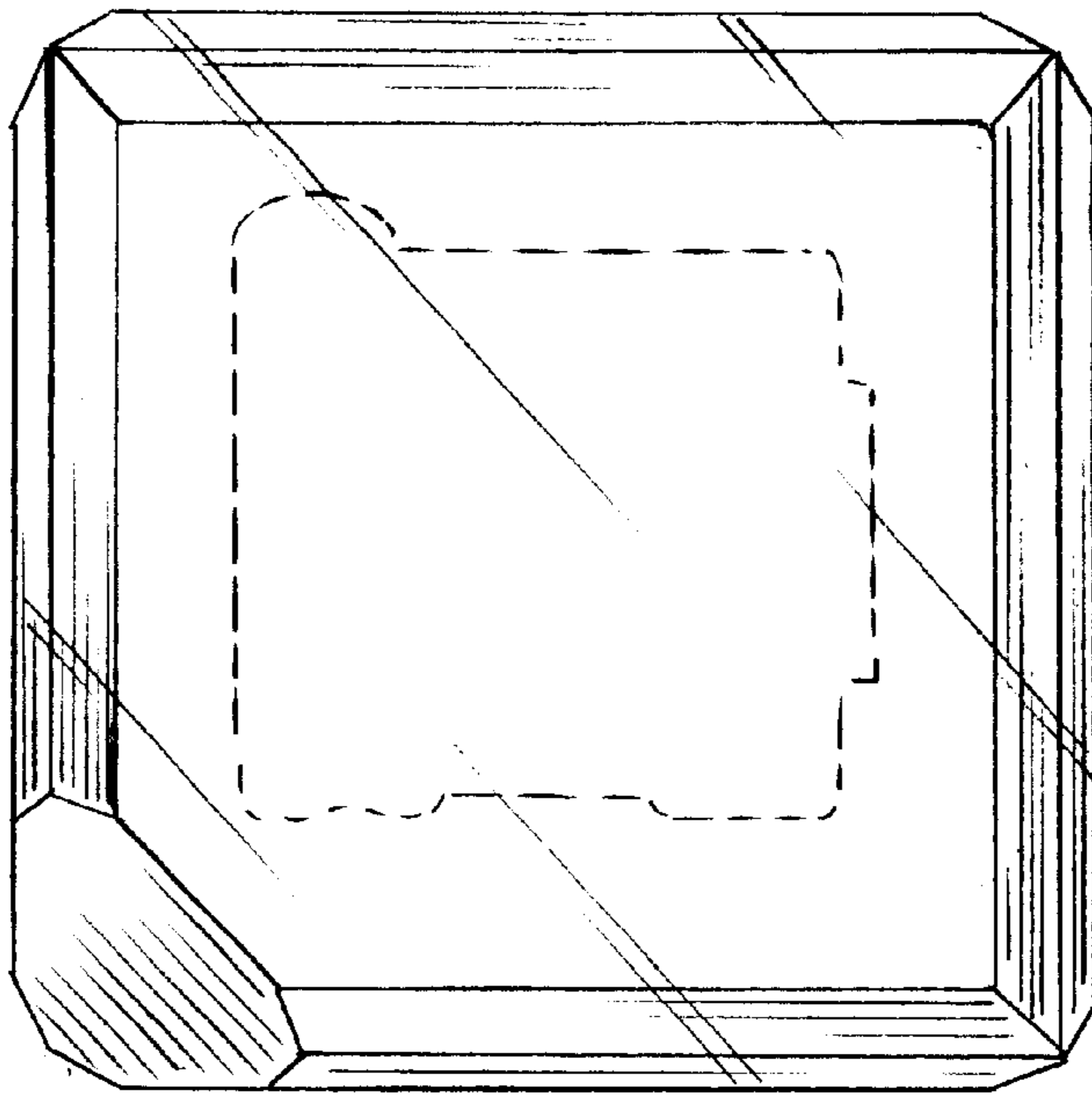
*Fig. 1*



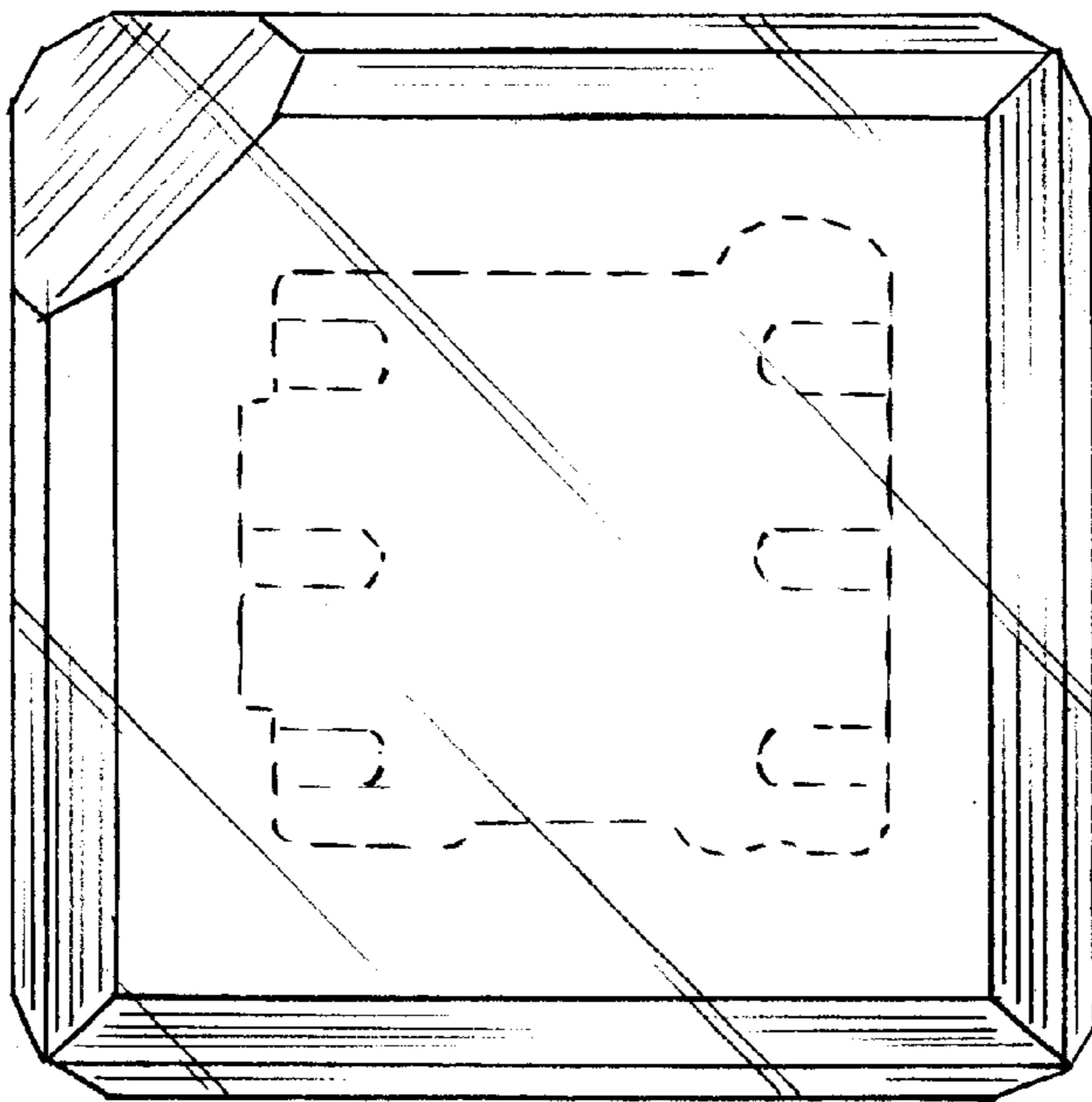
*Fig. 2*



*Fig. 3*



*Fig. 4*



*Fig. 5*