



US00D486320S

(12) **United States Design Patent**
Grimberg

(10) **Patent No.:** **US D486,320 S**

(45) **Date of Patent:** **** Feb. 10, 2004**

(54) **PAINT BRUSH CADDY**

D387,216 S * 12/1997 Stone D6/405
6,568,546 B1 * 5/2003 Huang 211/205

(76) Inventor: **William P. Grimberg**, P.O. Box 2361,
Ketchum, ID (US) 83340

* cited by examiner

(**) Term: **14 Years**

Primary Examiner—Cathron C. Brooks
(74) *Attorney, Agent, or Firm*—Charles R. Clark

(21) Appl. No.: **29/181,696**

(57) **CLAIM**

(22) Filed: **May 14, 2003**

The ornamental design for a paint brush caddy, as shown and described.

(51) **LOC (7) Cl.** **06-04**

(52) **U.S. Cl.** **D6/462; D6/467**

(58) **Field of Search** D6/409–415, 449,
D6/454–458, 461–469, 473, 509–511; 108/103,
105, 139; 248/121; 211/41.2, 41.7, 42,
51, 70, 85.1, 85.2, 88.3, 88.01, 126.15,
126.9, 131.1, 133.2, 163, 181.1, 201, 205

DESCRIPTION

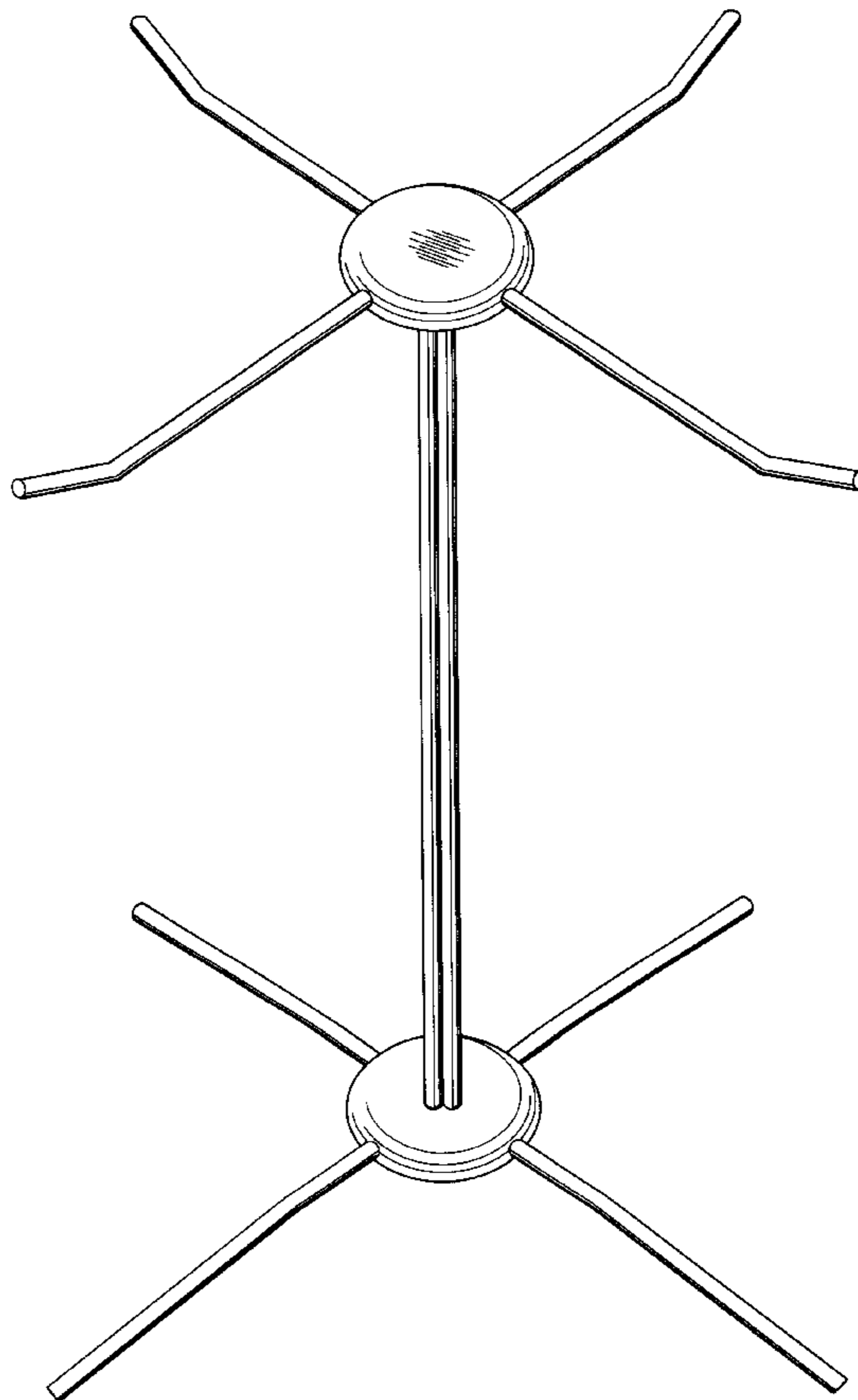
(56) **References Cited**

U.S. PATENT DOCUMENTS

1,137,900	A	*	5/1915	Reichert	211/163
2,952,364	A		9/1960	Jacobson		
D204,435	S	*	4/1966	Hersh et al.	D6/410
3,424,313	A	*	1/1969	Feibelman	211/163 X
4,060,214	A	*	11/1977	Metcalf	D6/458 X
4,767,088	A	*	8/1988	Fielder et al.	248/121
D361,444	S	*	8/1995	Egan	D6/415

FIG. 1 is a perspective view of a paint brush caddy showing my new design;
FIG. 2 is a front elevational view of the caddy of FIG. 1, the right side, rear, and left side being mirror images;
FIG. 3 is a top plan view of the caddy of FIG. 1;
FIG. 4 is a bottom plan view of the caddy of FIG. 1;
FIG. 5 is a perspective view of an alternative embodiment of a caddy;
FIG. 6 is a front elevational view of the caddy of FIG. 5;
FIG. 7 is a rear elevational view of the caddy of FIG. 5;
FIG. 8 is a top plan view of the caddy of FIG. 5; and,
FIG. 9 is a bottom plan view of the caddy of FIG. 5.

1 Claim, 7 Drawing Sheets



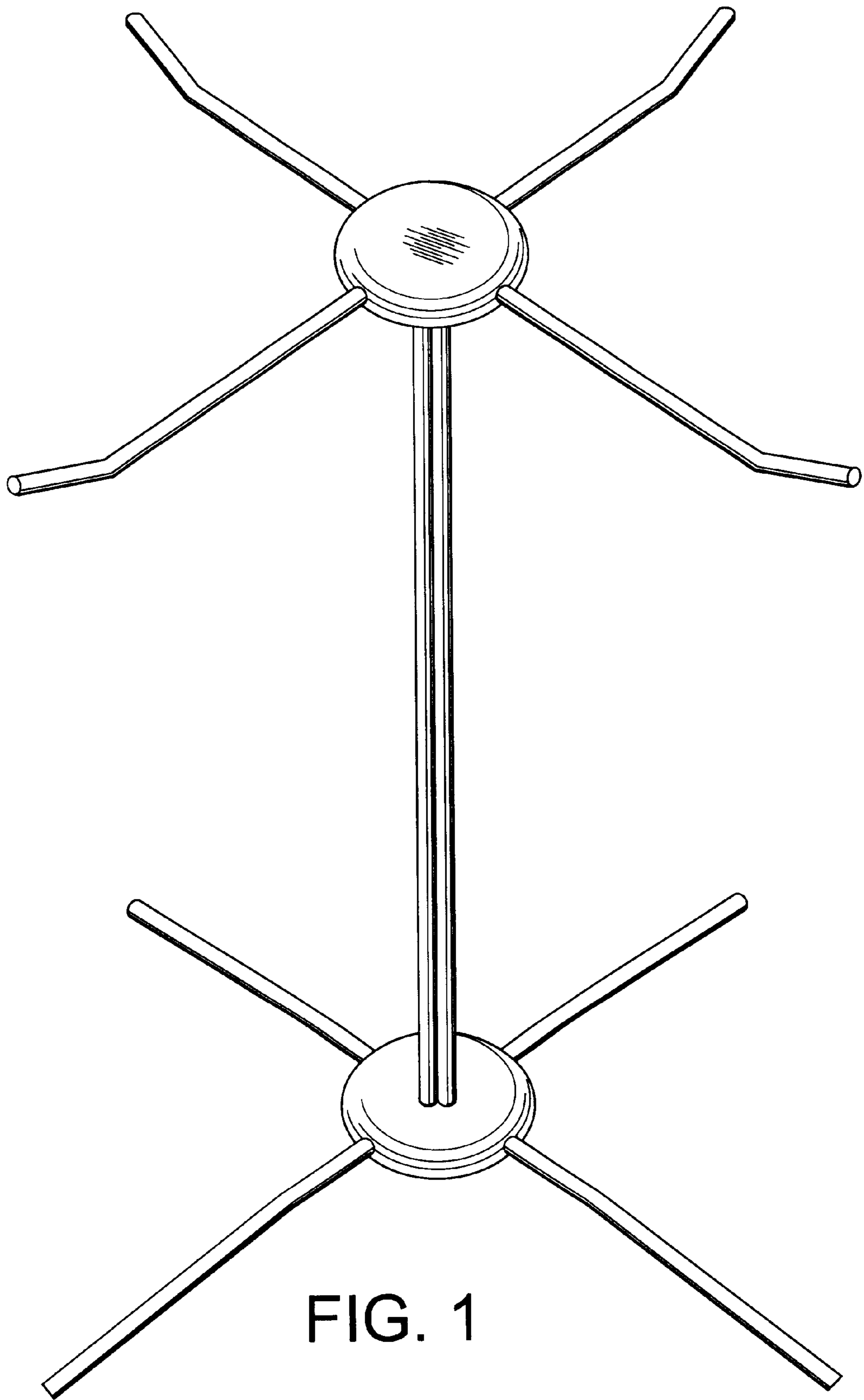


FIG. 1

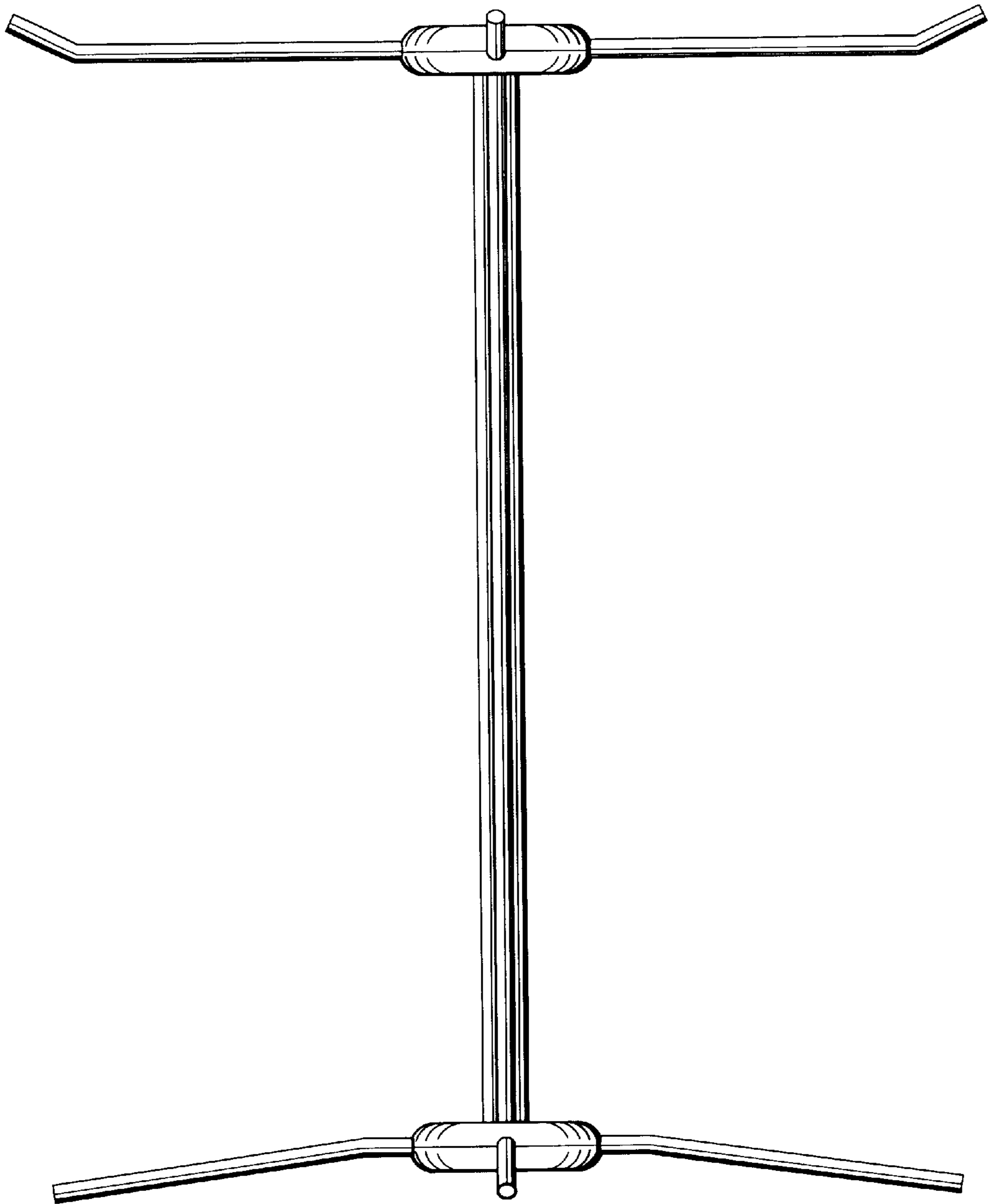


FIG. 2

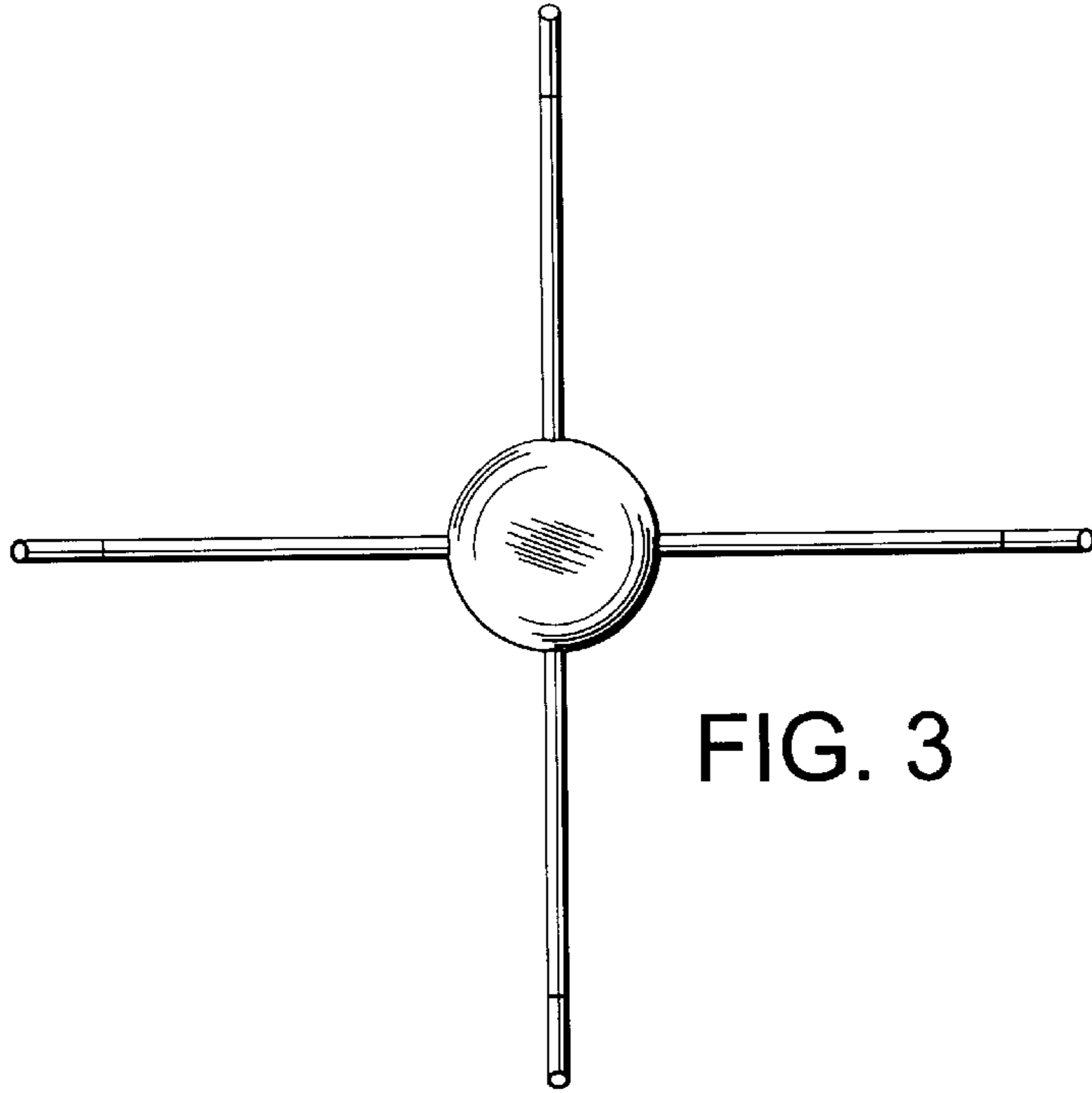


FIG. 3

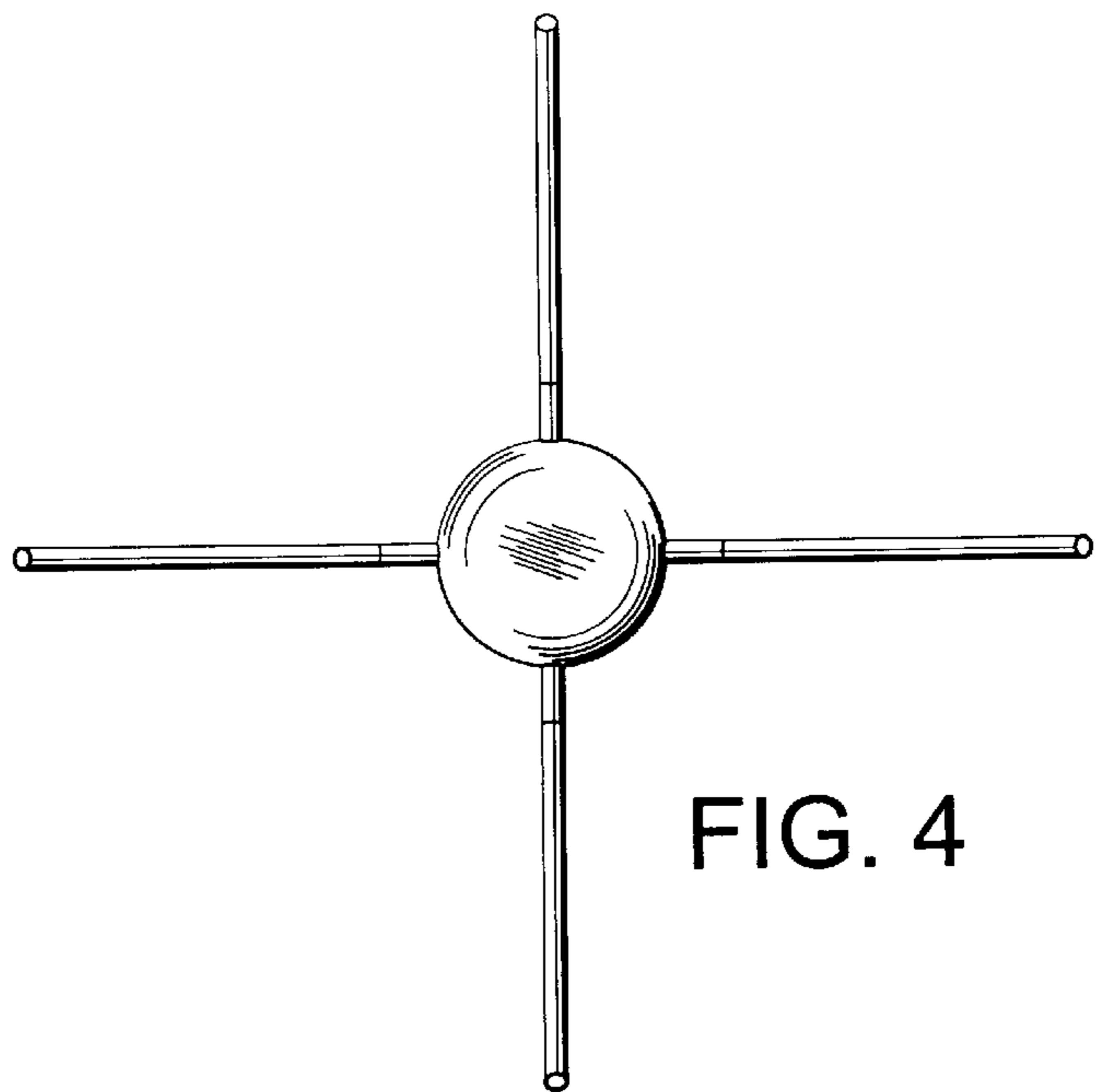


FIG. 4

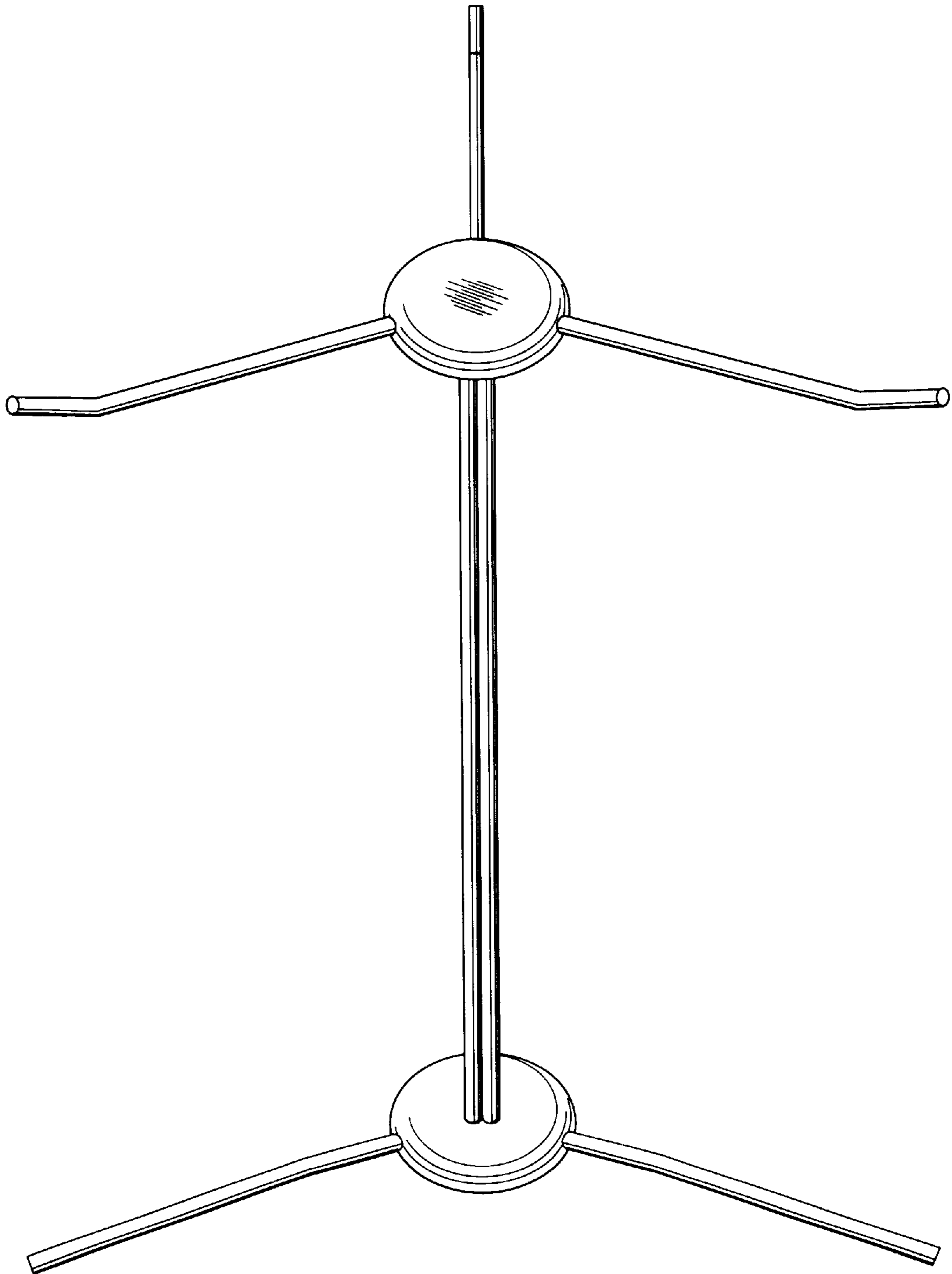


FIG. 5

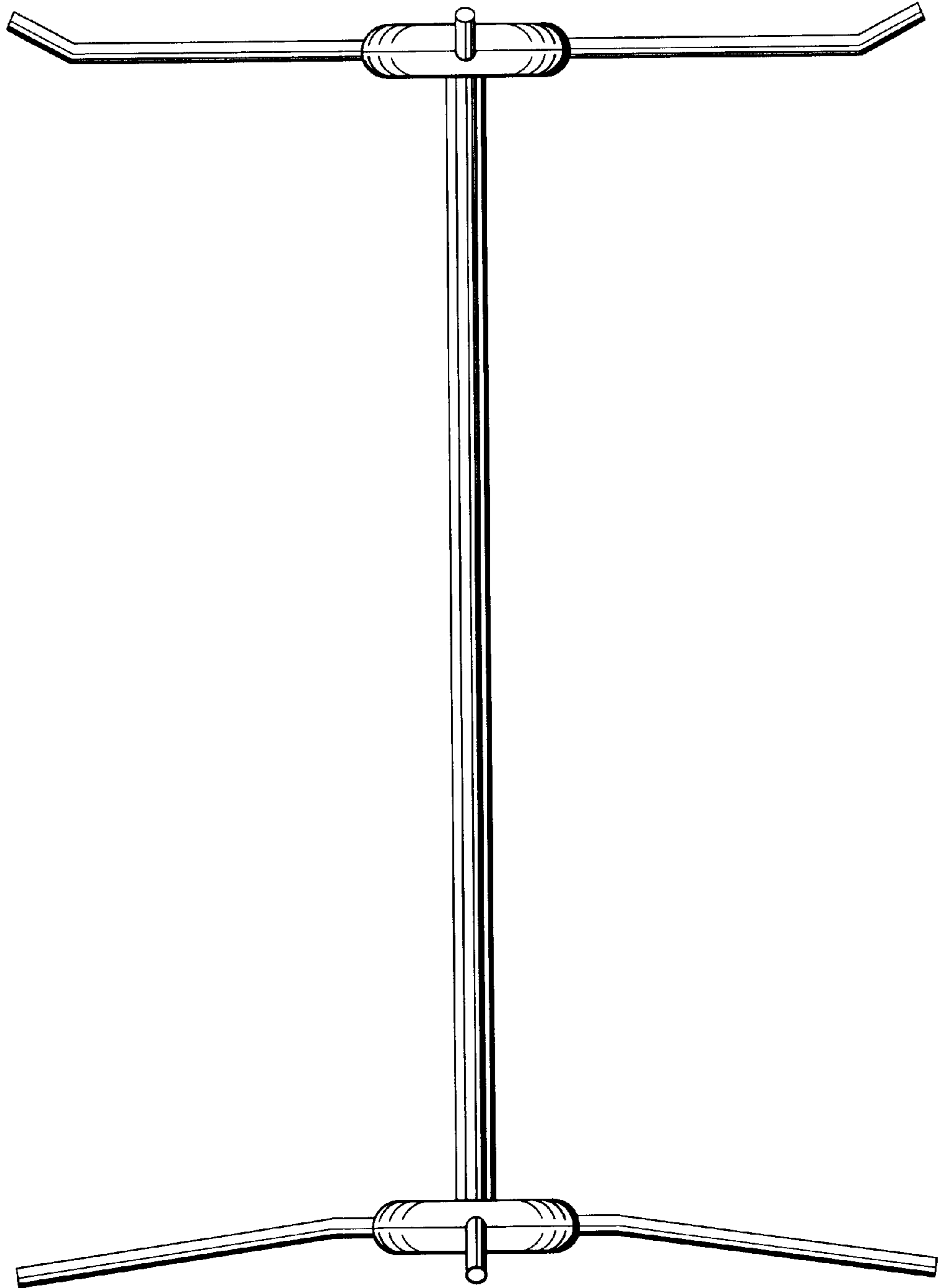


FIG. 6

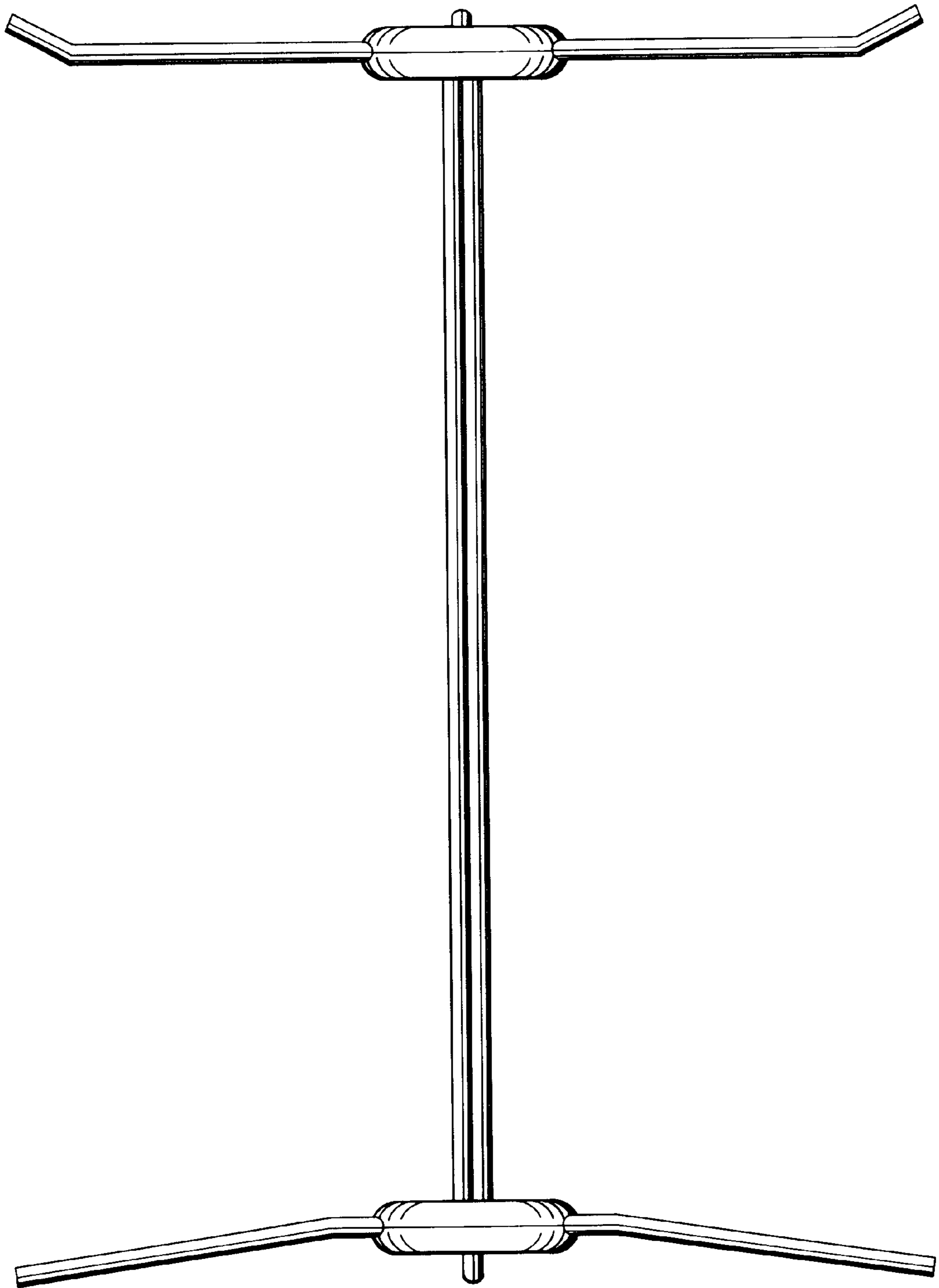


FIG. 7

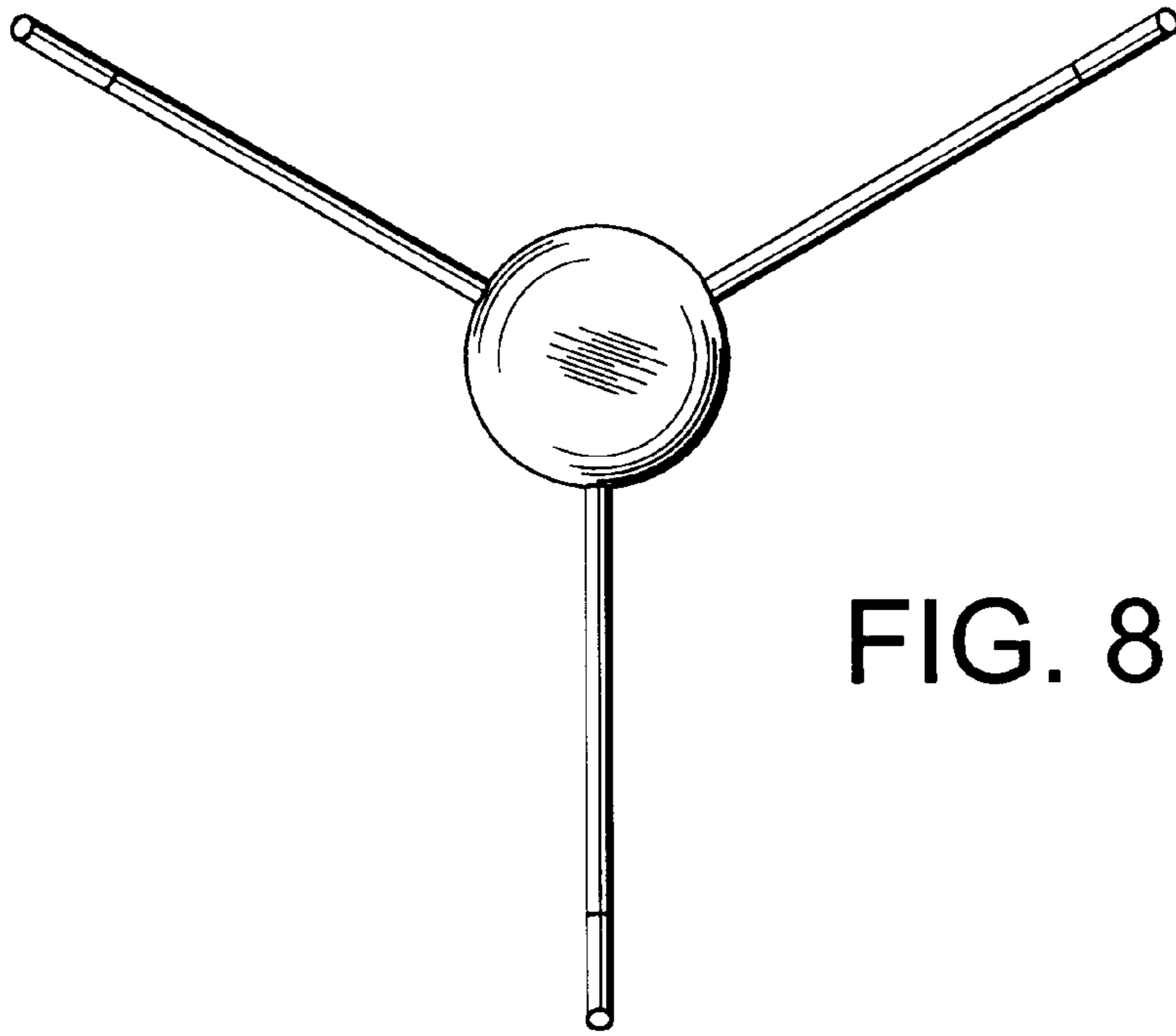


FIG. 8

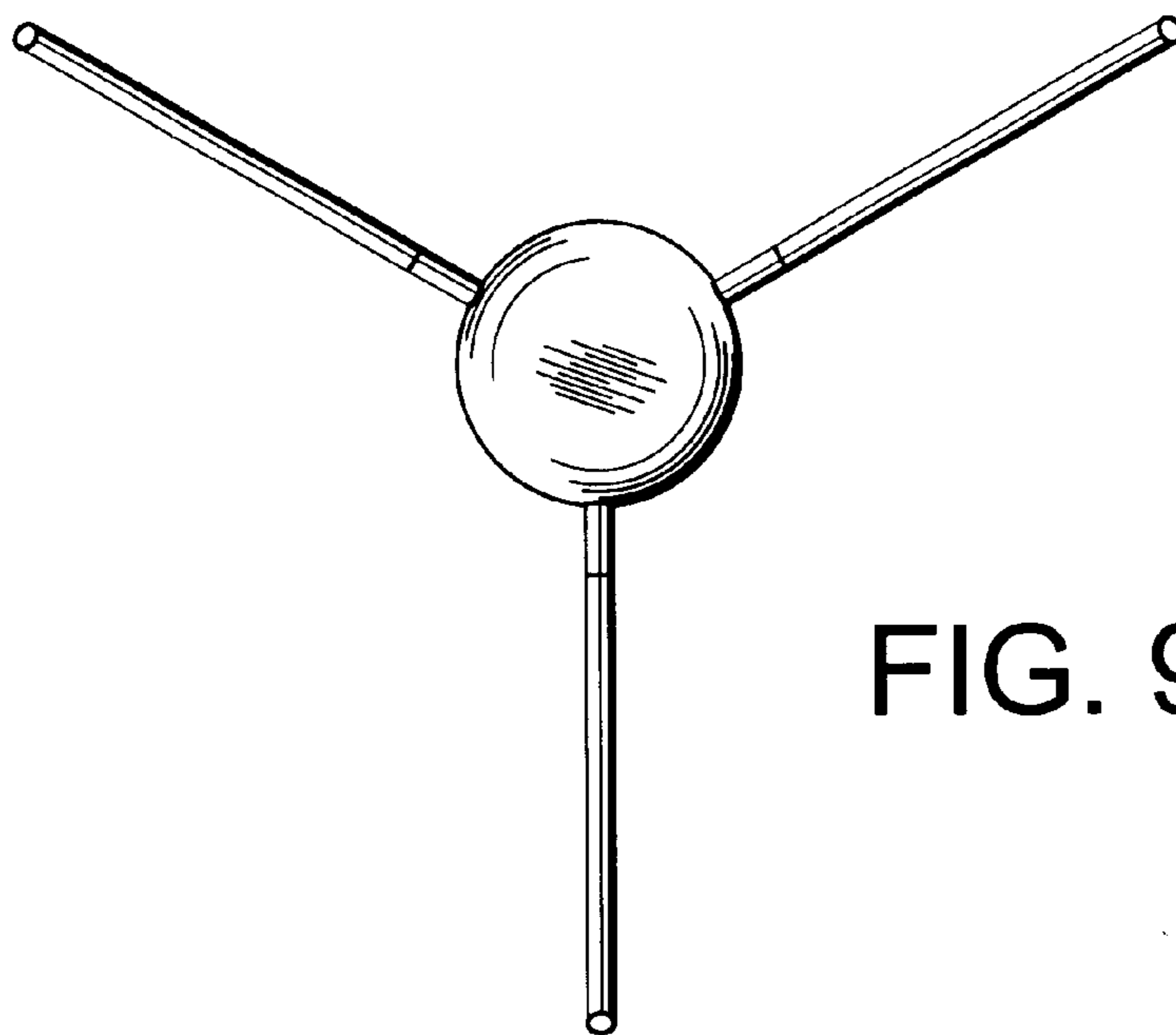


FIG. 9