



US00D486315S

(12) **United States Design Patent** (10) **Patent No.:** **US D486,315 S**  
**Beaulieu et al.** (45) **Date of Patent:** **\*\* Feb. 10, 2004**

(54) **CHAIR**

(75) Inventors: **Jocelyn Beaulieu**, Newmarket (CA);  
**Graham Clive Hufton**, Toronto (CA);  
**Stephen Conrad Fox**, Barrie (CA);  
**Mark Campbell**, Toronto (CA);  
**Richard Paul Morawietz**, Richmond Hill (CA)

(73) Assignee: **Global Total Office**, Downsview (CA)

(\*\*) Term: **14 Years**

(21) Appl. No.: **29/161,449**

(22) Filed: **May 31, 2002**

(51) **LOC (7) Cl.** ..... **06-01**

(52) **U.S. Cl.** ..... **D6/366**

(58) **Field of Search** ..... D6/334, 364, 365,  
D6/366, 367, 500, 501, 502; 297/411.2,  
411.27, 411.36

(56) **References Cited**

**U.S. PATENT DOCUMENTS**

D276,576 S	*	12/1984	Helmholdt	.....	D6/366
D306,531 S	*	3/1990	Snodgrass	.....	D6/366
D368,172 S	*	3/1996	Locher	.....	D6/366
D410,799 S	*	6/1999	Meda	.....	D6/366
D411,928 S	*	7/1999	Ritch et al.	.....	D6/500
D422,802 S		4/2000	Deacon		
D434,575 S		12/2000	Deacon		
D435,976 S		1/2001	Deacon		
D437,703 S		2/2001	Deacon		
D445,580 S	*	7/2001	Pennington et al.	.....	D6/366
D445,613 S	*	7/2001	Ginat	.....	D6/500
D446,033 S	*	8/2001	Koepke et al.	.....	D6/366
D452,387 S	*	12/2001	Ambasz	.....	D6/366
D456,159 S	*	4/2002	Ball et al.	.....	D6/366
D461,661 S	*	8/2002	Koepke et al.	.....	D6/500
D462,187 S	*	9/2002	Koepke et al.	.....	D6/366
D464,819 S	*	10/2002	Chu	.....	D6/366
D465,938 S	*	11/2002	Huang	.....	D6/366
D468,564 S	*	1/2003	Piretti et al.	.....	D6/500
D469,618 S	*	2/2003	Nagamitsu	.....	D6/366
D471,024 S	*	3/2003	Chadwick et al.	.....	D6/366

**OTHER PUBLICATIONS**

Keilhauer—Product Page, “http://www.keilhauer.com/products/product2.asp?Family ID=36&CategoryID=5.”, undated.

Keilhauer—Product Page, “http://www.keilhauer.com/products/product2b.asp?FamilyID=36&SeriesID=1&ProductID=335&Category.”, undated.

Keilhauer—Products, “http://www.keilhauer.com/products/product2b.asp?FamilyID=36&SeriesID=2&ProductID=349&Category.”, undated.

(List continued on next page.)

*Primary Examiner*—Gary D. Watson

(74) *Attorney, Agent, or Firm*—Bereskin & Parr

(57) **CLAIM**

The ornamental design for a chair, as shown and described.

**DESCRIPTION**

FIG. 1 is a perspective view from the front and one side of the chair;

FIG. 2 is a perspective view from the rear and one side of the chair of FIG. 1;

FIG. 3 is a side elevation view of one side of the chair of FIG. 1;

FIG. 4 is a front elevation view of the chair of FIG. 1;

FIG. 5 is a side elevation view of the other side of the chair of FIG. 1;

FIG. 6 is a rear elevation view of the chair of FIG. 1;

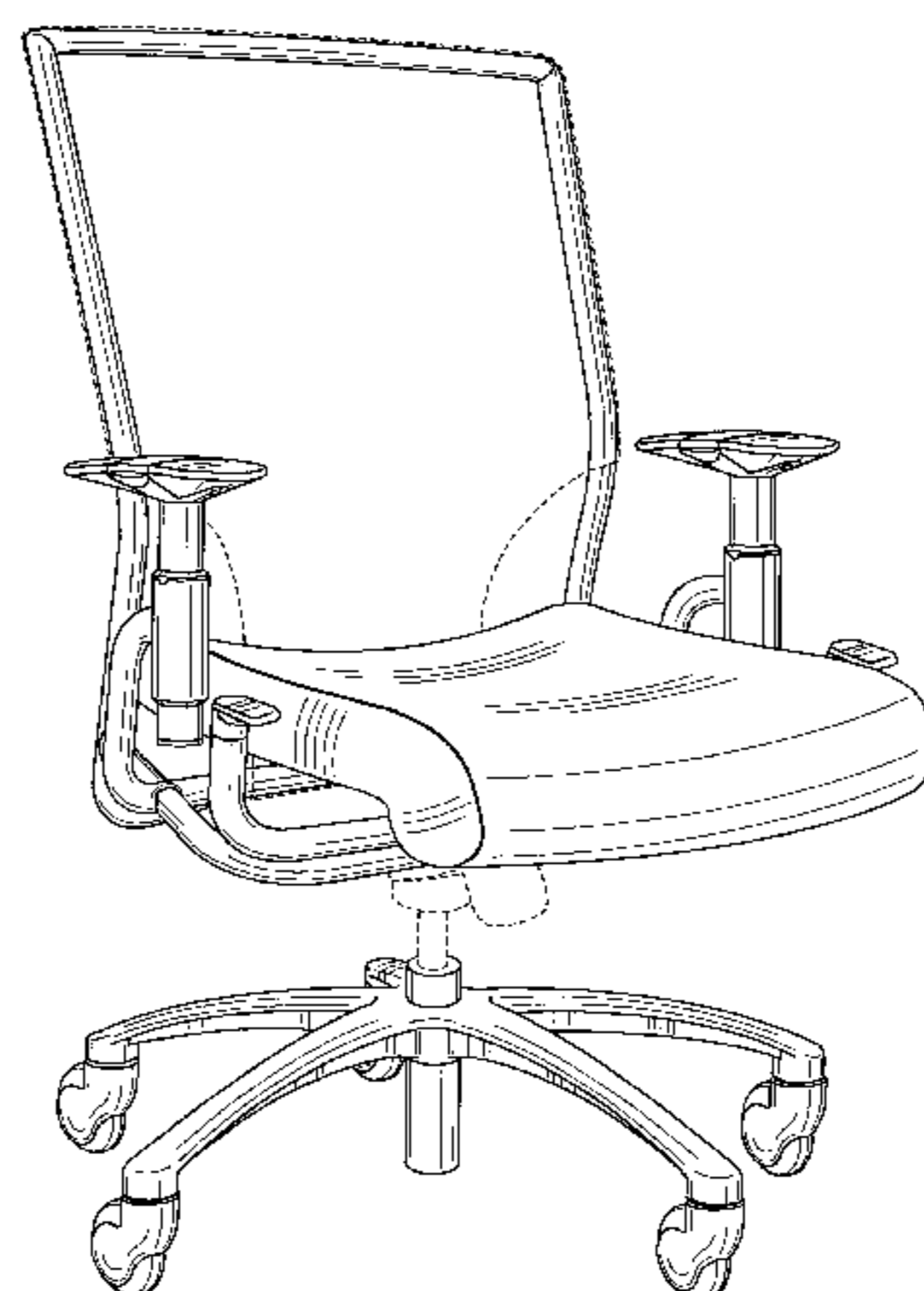
FIG. 7 is a top plan view of the chair of FIG. 1;

FIG. 8 is a perspective view from the front and the one side of the chair of FIG. 1 with the arm rest portions of the chair in a raised position; and,

FIG. 9 is a perspective view from the front and the one side of the chair of FIG. 1 with the arm rest portions of the chair in a lowered position.

The broken lines shown are for illustrative purposes only and form no part of the claimed design.

**1 Claim, 9 Drawing Sheets**



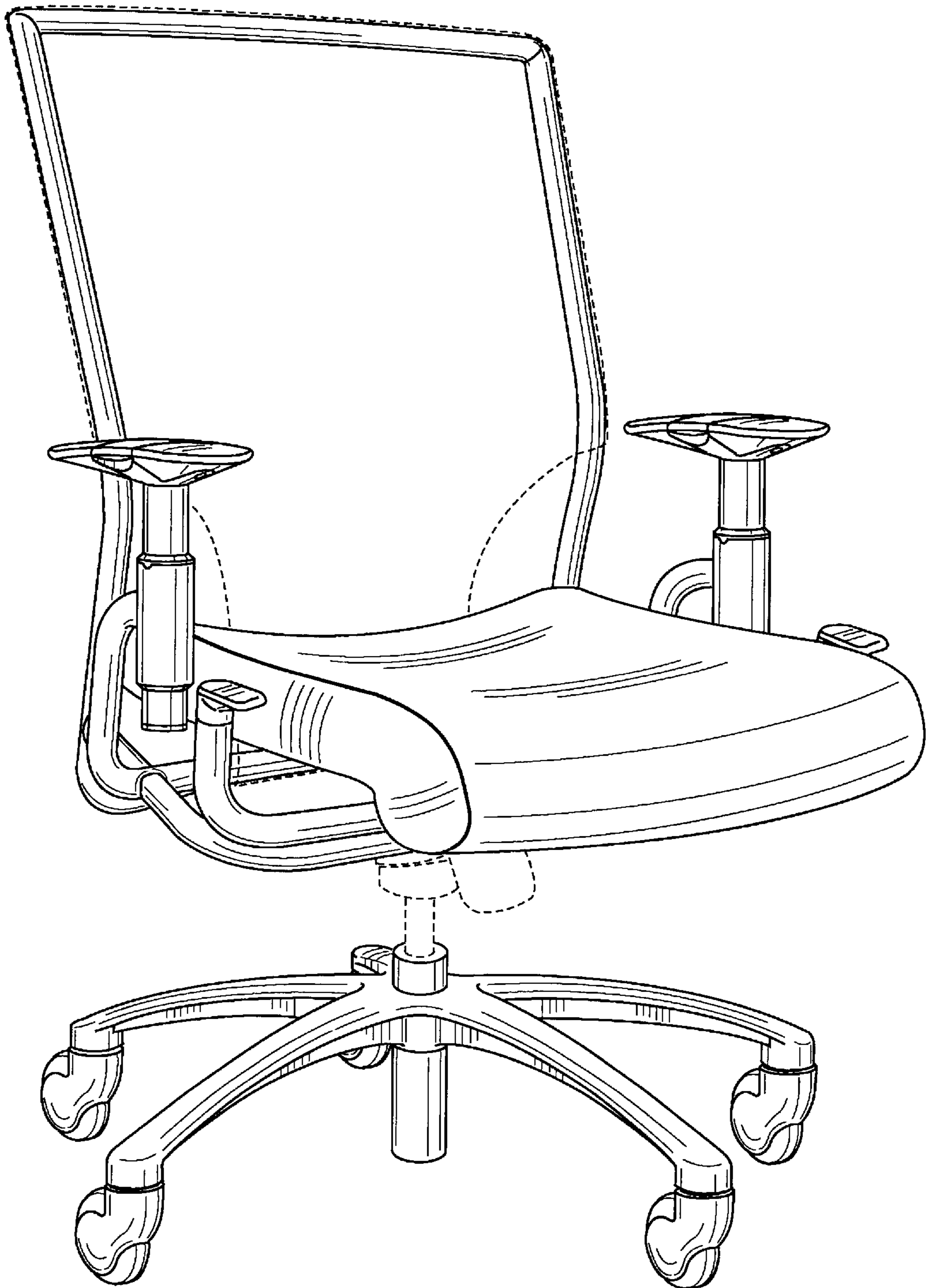
OTHER PUBLICATIONS

Keilhauer—Products, “<http://www.keilhauer.com/products/product2b.asp?FamilyID=36&SeriesID=3&ProductID=363&Category>.”, undated.

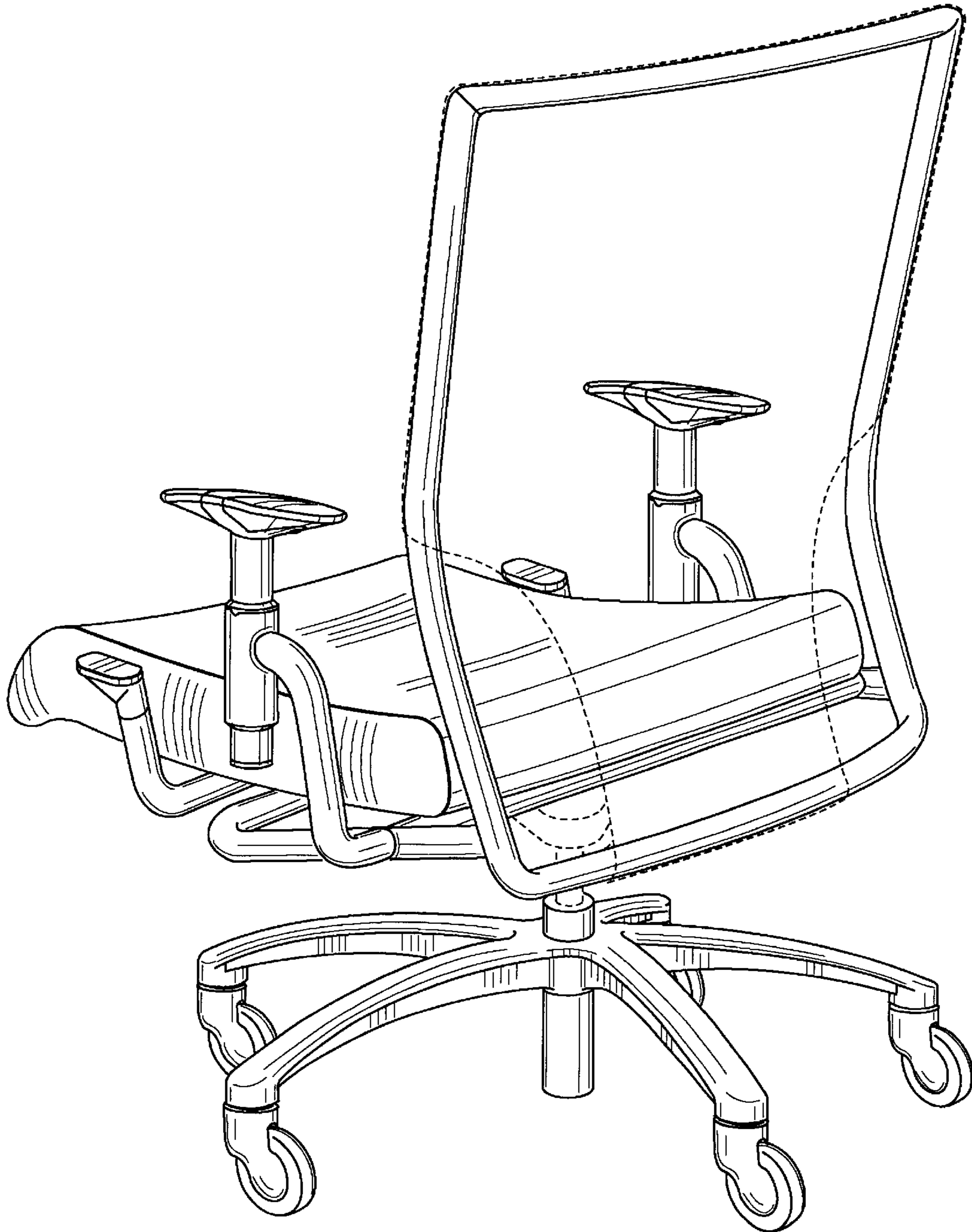
Keilhauer—Products, “<http://www.keilhauer.com/products/product2b.asp?FamilyID=36&SeriesID=4&ProductID=384&Category>.”, undated.

Mauser Allavoro Chair, design Michele De Lucchi e Gerd Reichert, “Mauser Office GmbH, Waldock.”, undated.

\* cited by examiner

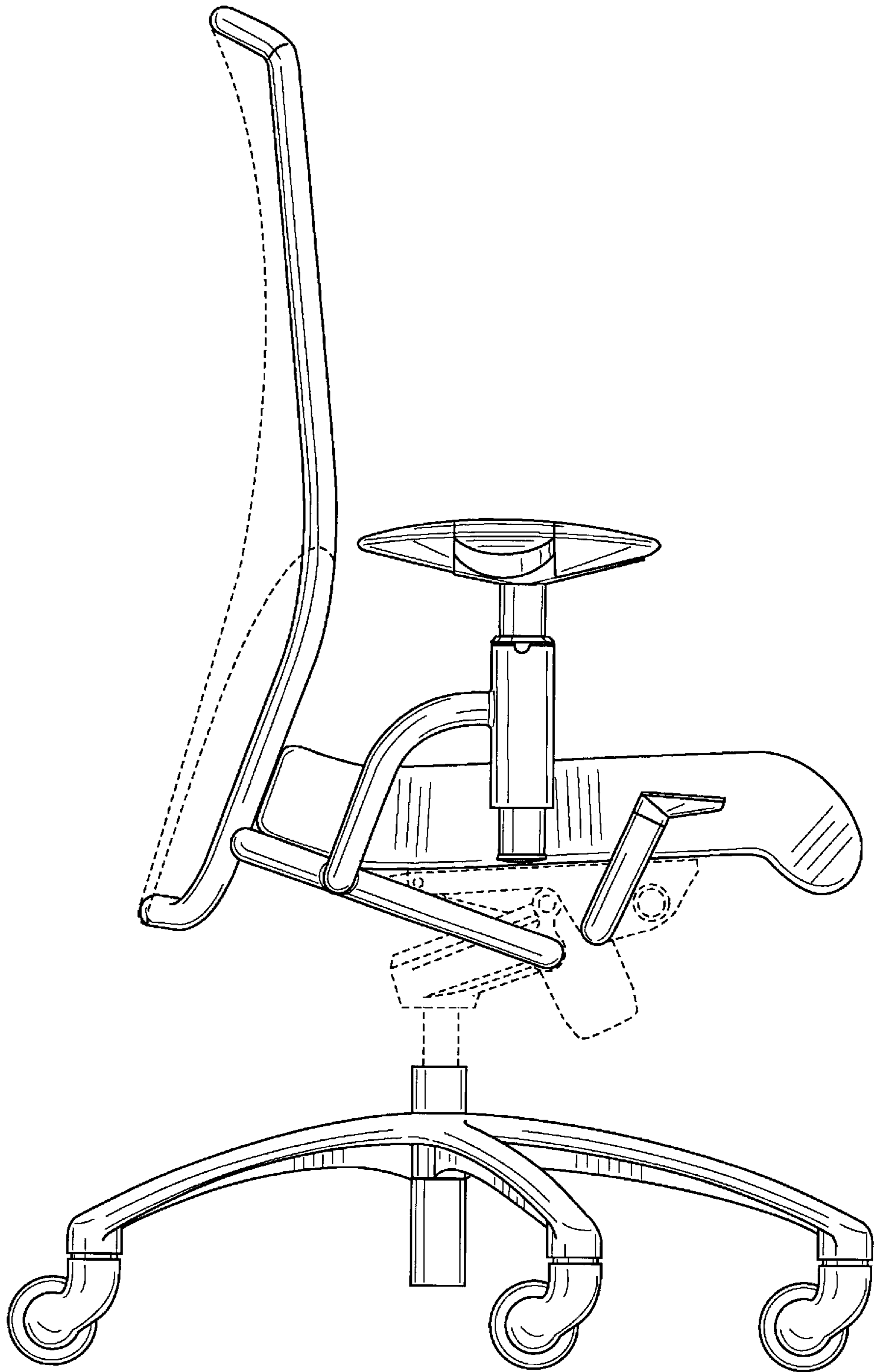


**FIG. 1**

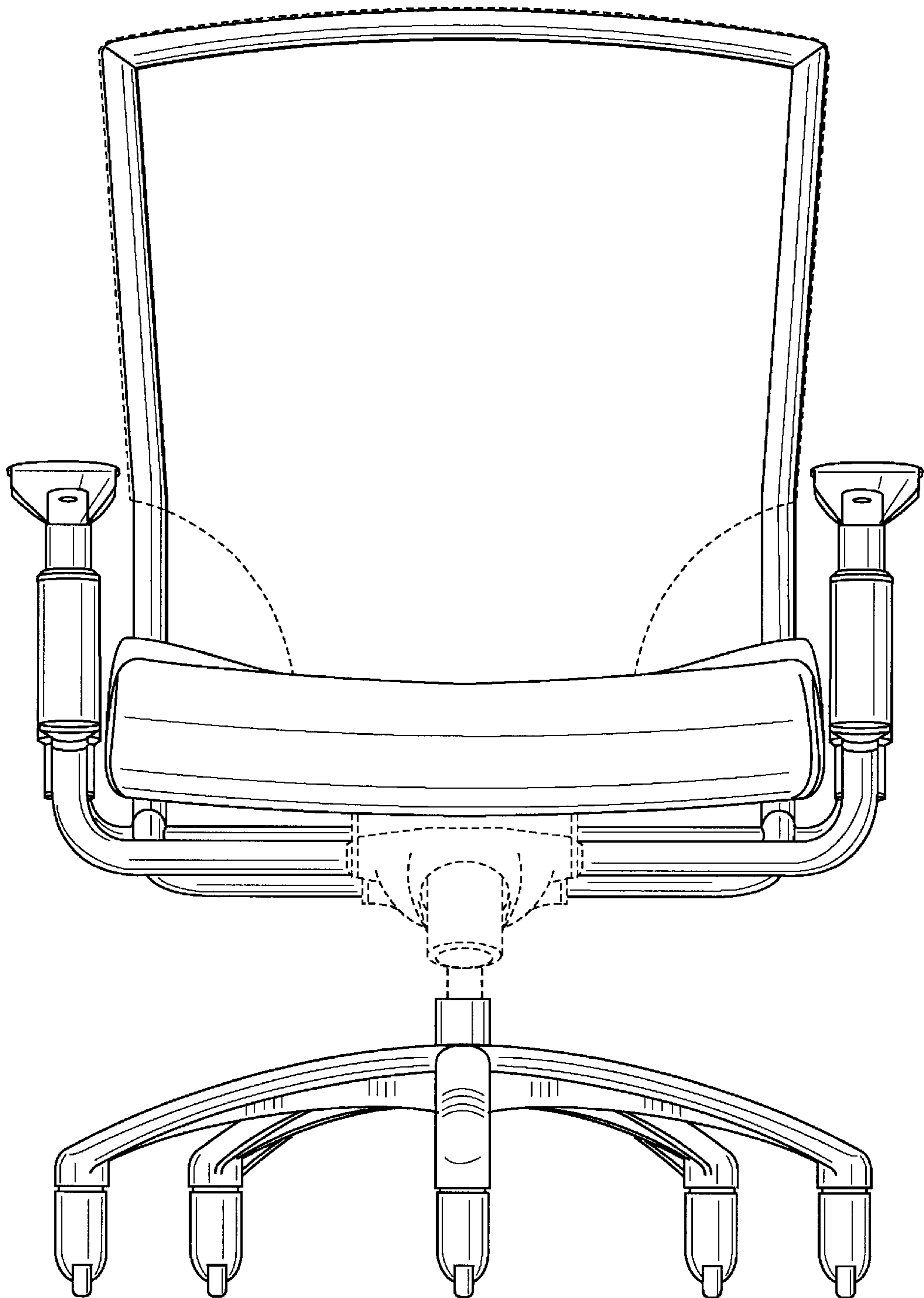


**FIG. 2**

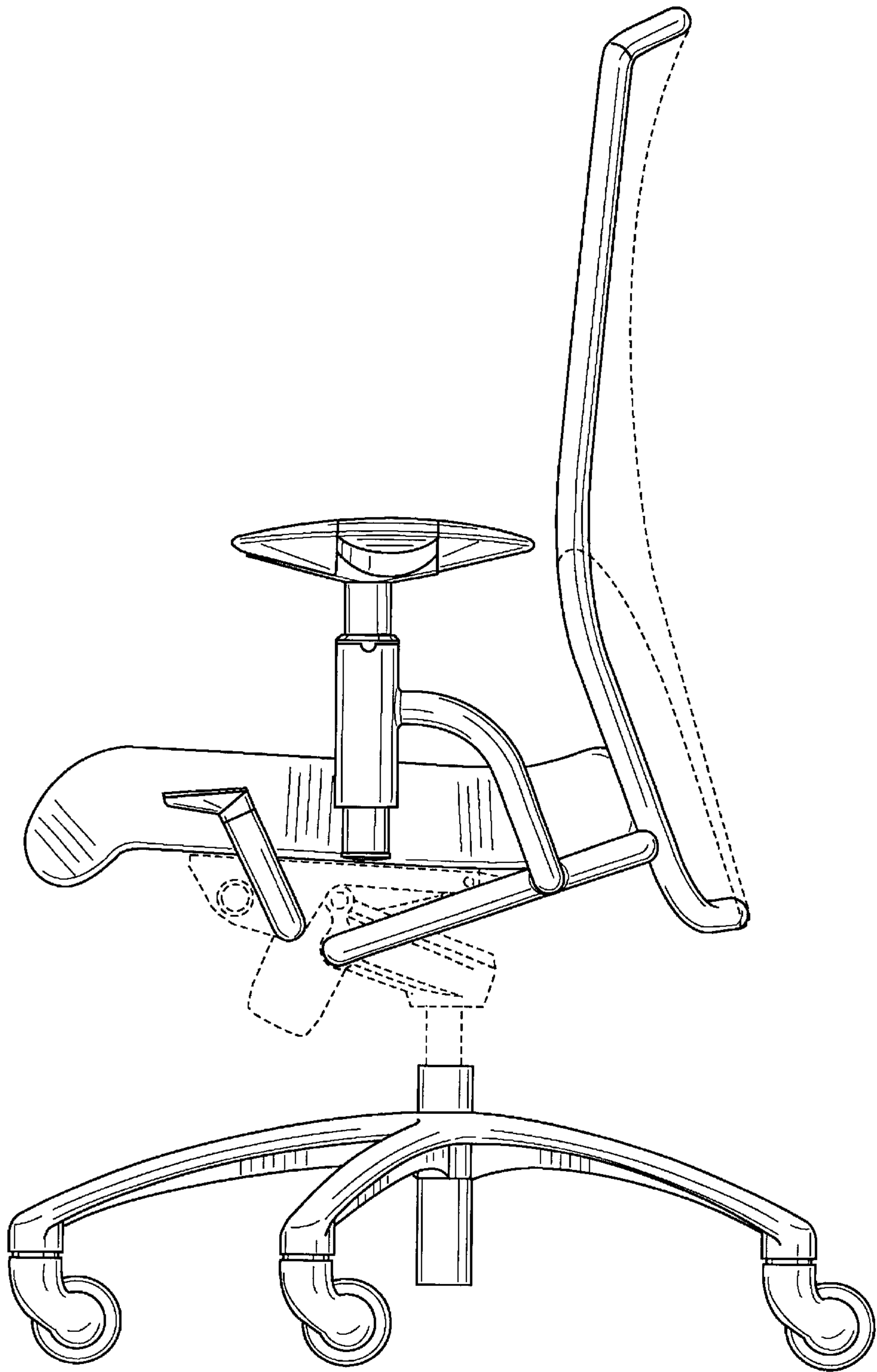




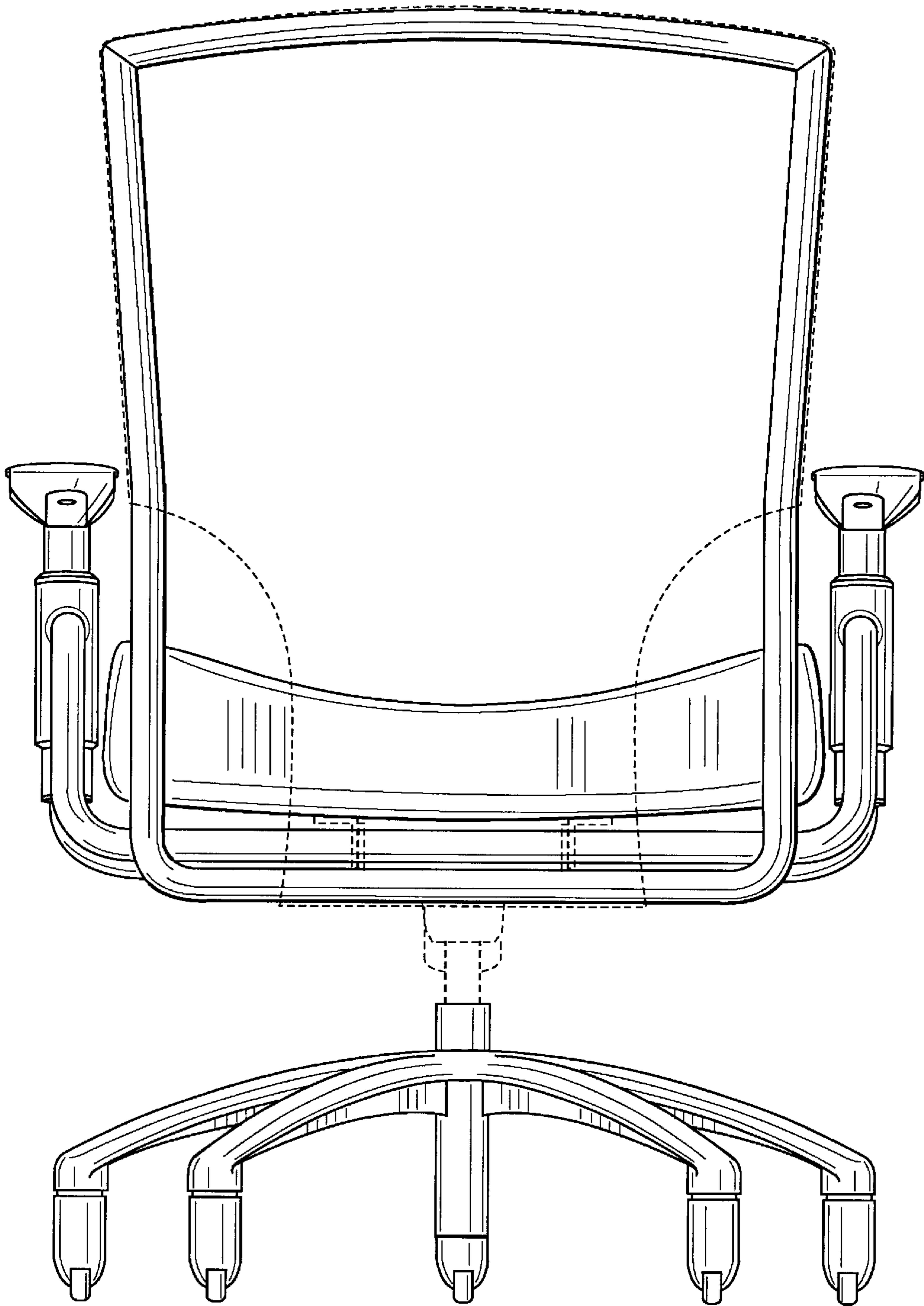
**FIG. 3**



**FIG. 4**



**FIG. 5**



**FIG. 6**



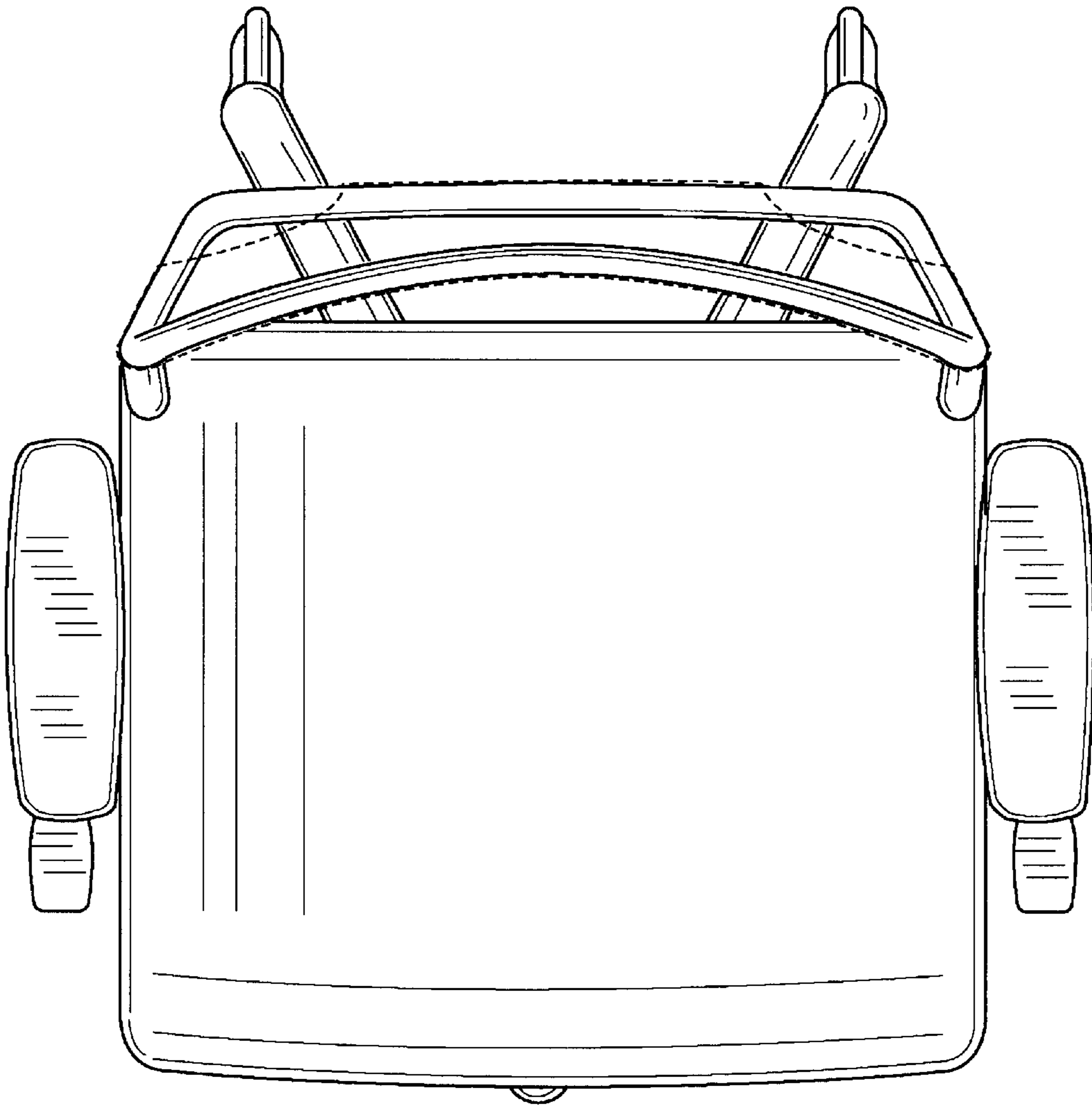
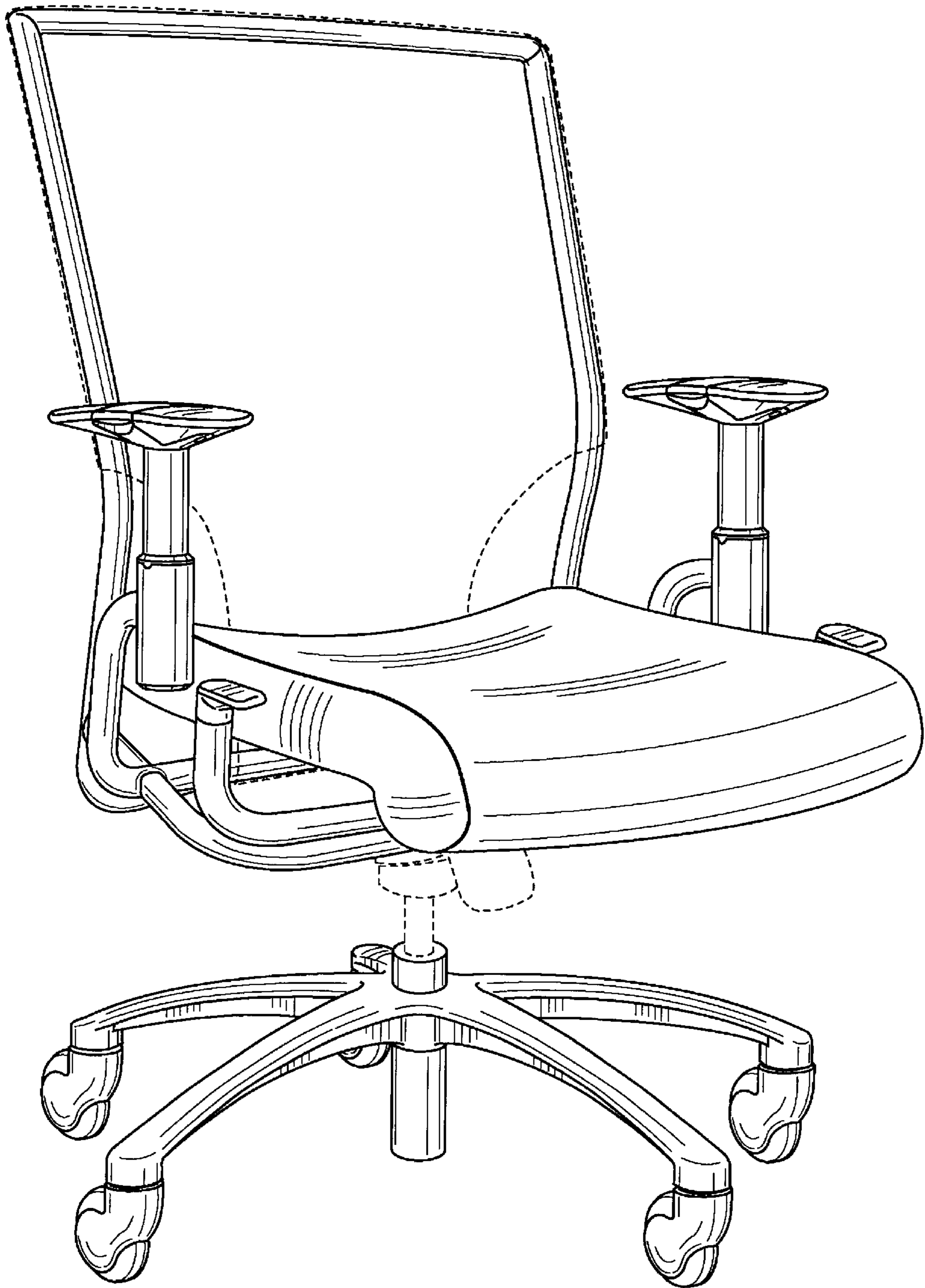
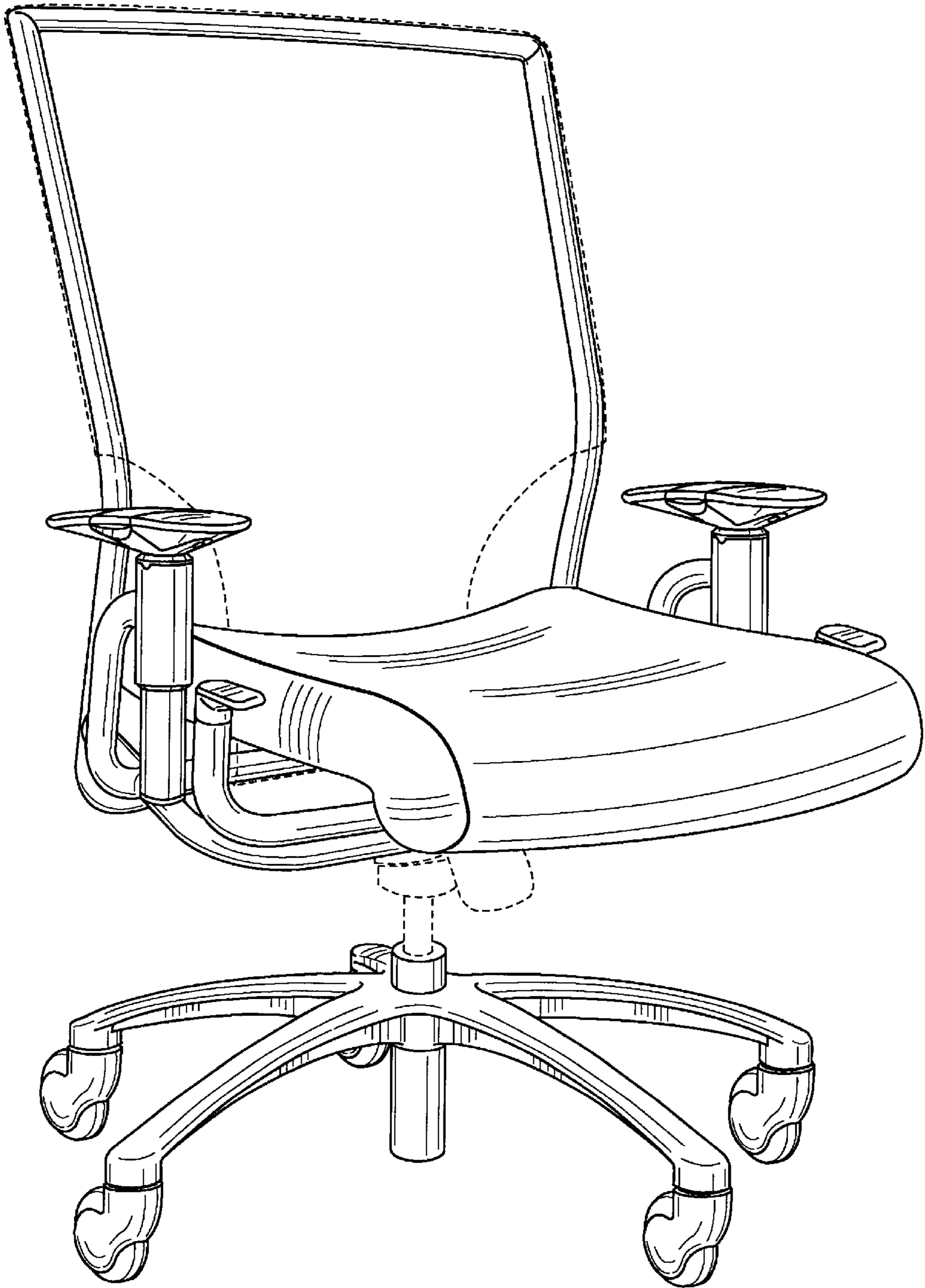


FIG. 7



**FIG. 8**



**FIG. 9**