



US00D486313S

(12) **United States Design Patent**
Manzali

(10) **Patent No.:** **US D486,313 S**

(45) **Date of Patent:** **** Feb. 10, 2004**

(54) **STOOL**

(75) **Inventor:** **Giorgio Manzali, Selvazzano (IT)**

(73) **Assignee:** **Bonaldo S.p.A., Villanova di Camposampiero (IT)**

(**) **Term:** **14 Years**

(21) **Appl. No.:** **29/163,806**

(22) **Filed:** **Jul. 12, 2002**

(30) **Foreign Application Priority Data**

Jan. 14, 2002 (IT) PD2002O0005

(51) **LOC (7) Cl.** **06-01**

(52) **U.S. Cl.** **D6/360**

(58) **Field of Search** D6/334, 335, 360,
D6/364, 365, 367, 500, 501, 502; 297/344.12,
461

(56) **References Cited**

U.S. PATENT DOCUMENTS

D288,869 S * 3/1987 Bitsch D6/365
D365,694 S * 1/1996 Liisberg D6/360

D374,559 S * 10/1996 Oelke D6/360
D400,721 S * 11/1998 Baeriswyl et al. D6/360
D449,456 S * 10/2001 Muller D6/360

OTHER PUBLICATIONS

Design Within Reach, p. 81, stool shown.*

* cited by examiner

Primary Examiner—Gary D. Watson

(74) *Attorney, Agent, or Firm*—Browdy and Neimark, P.L.L.C.

(57) **CLAIM**

The ornamental design for a stool, as shown and described.

DESCRIPTION

FIG. 1 is a photographic perspective view from the top, front and right side of the present design for a stool; FIG. 2 is a frontal elevational view thereof; FIG. 3 is a left side elevational view thereof; FIG. 4 is a right side elevational view thereof; FIG. 5 is a rear elevational view thereof; and, FIG. 6 is a top plan view thereof.

1 Claim, 6 Drawing Sheets

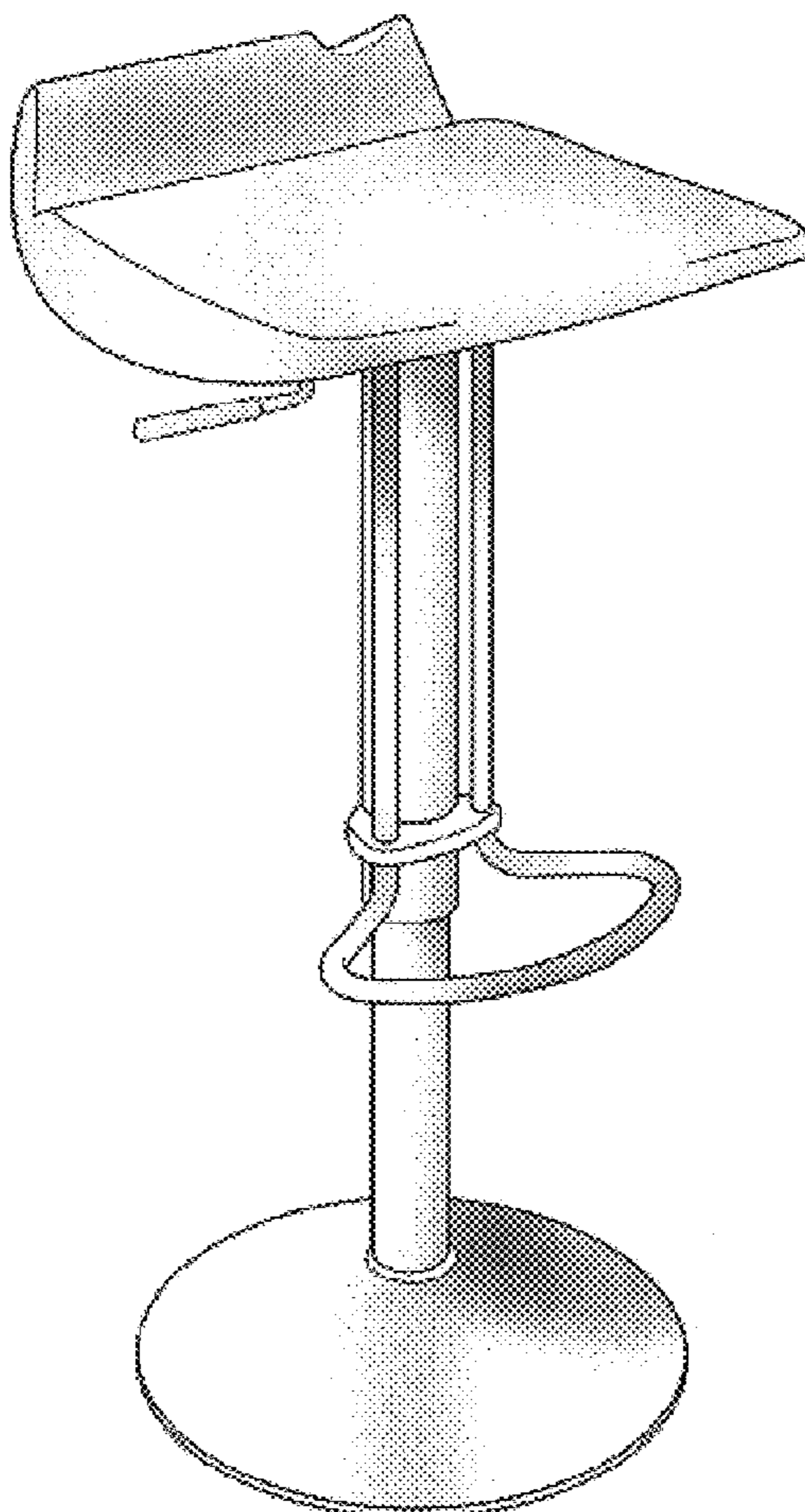


Fig. 1

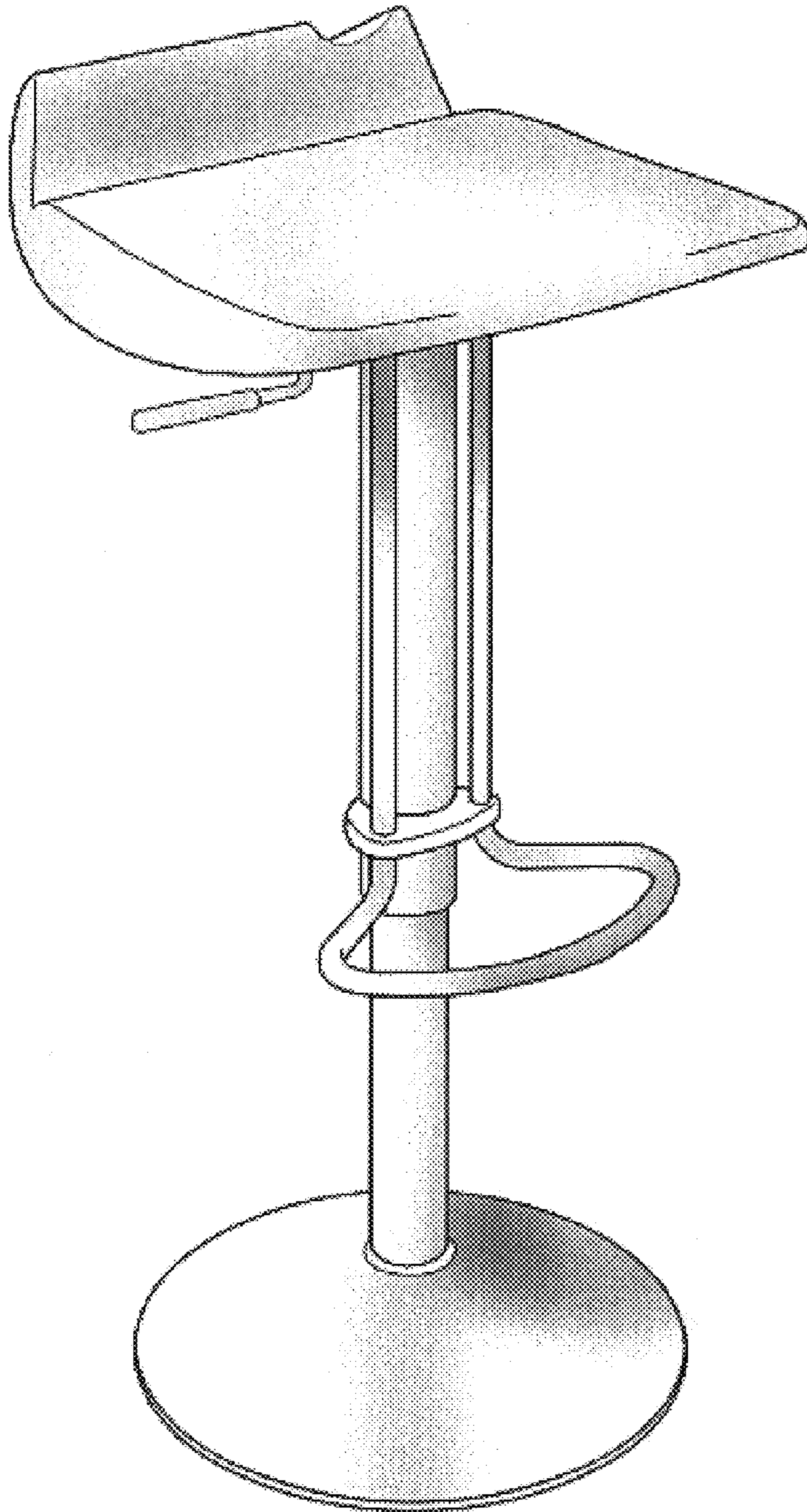


Fig.2

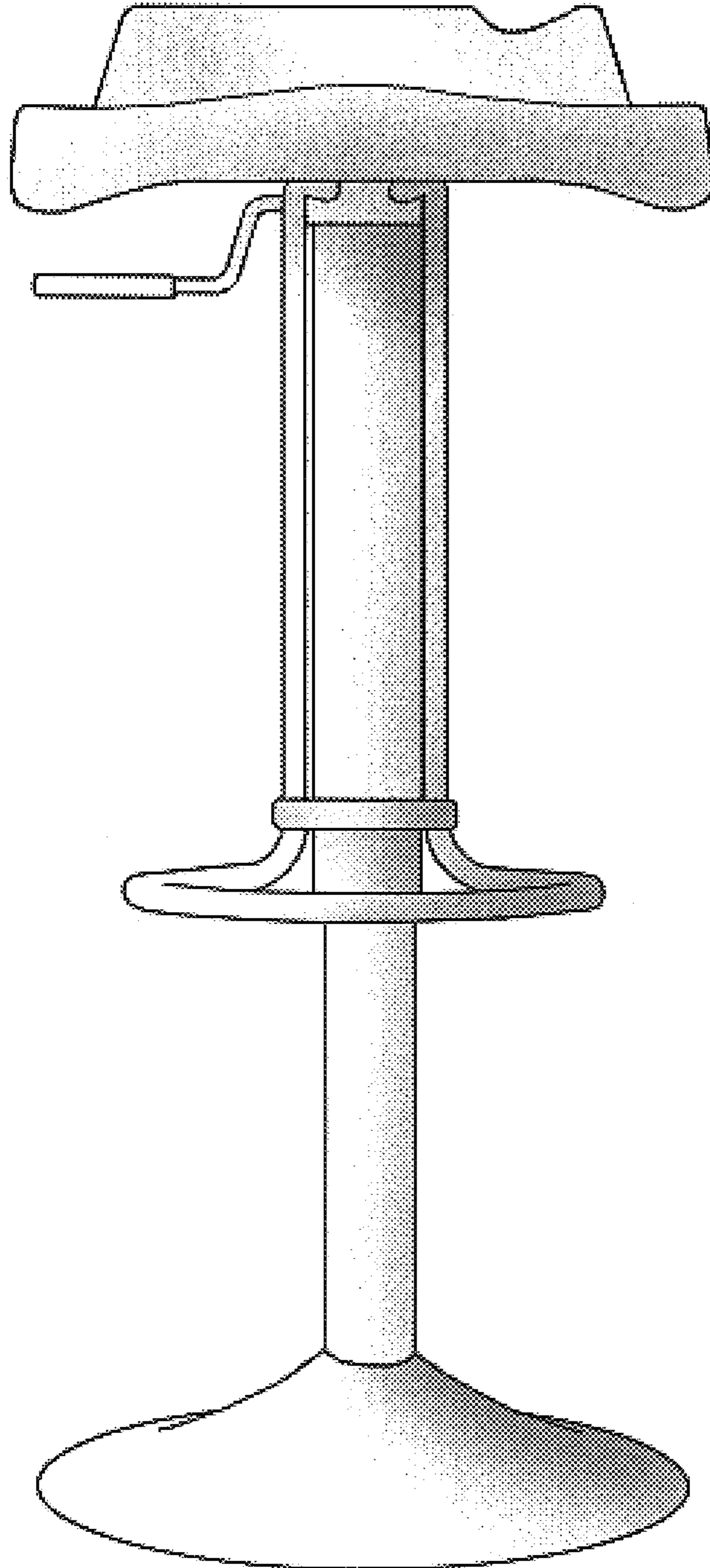


Fig.3

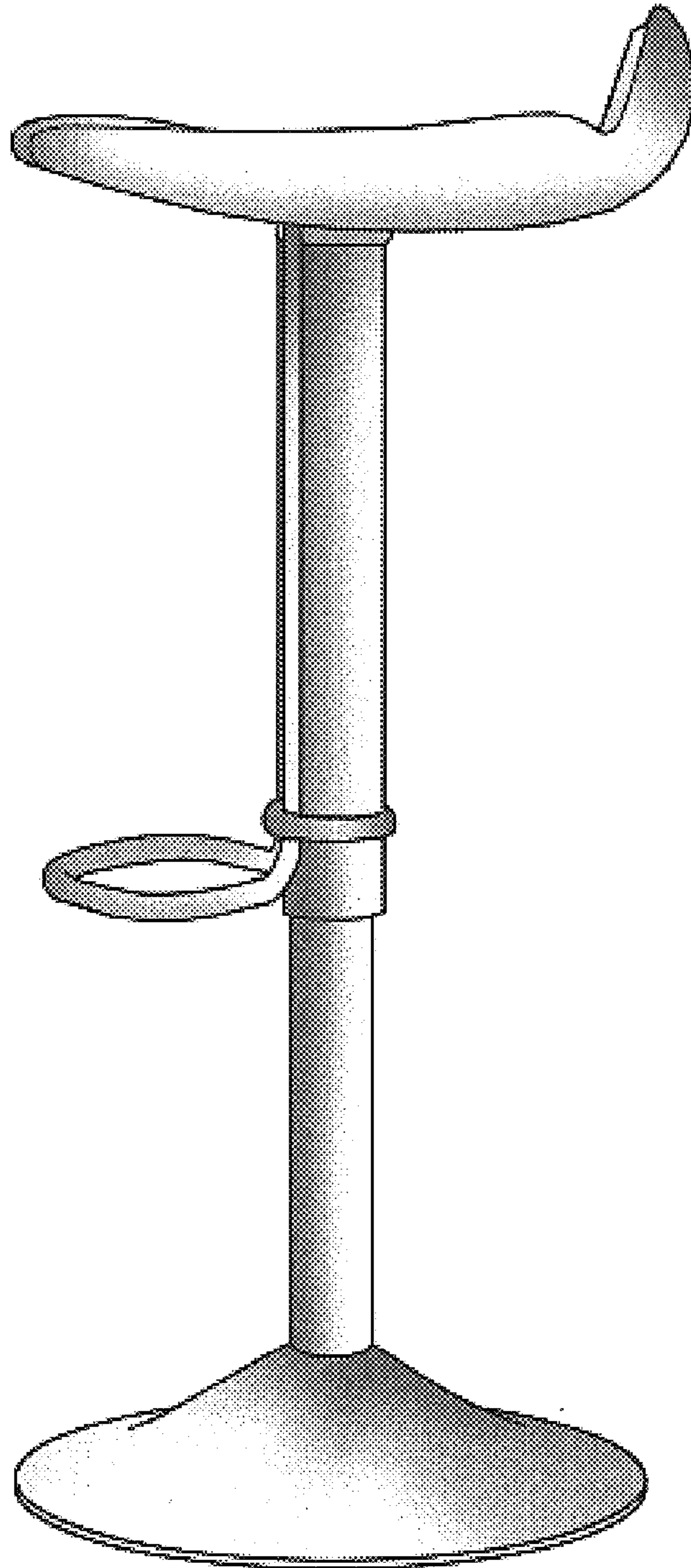


Fig.4

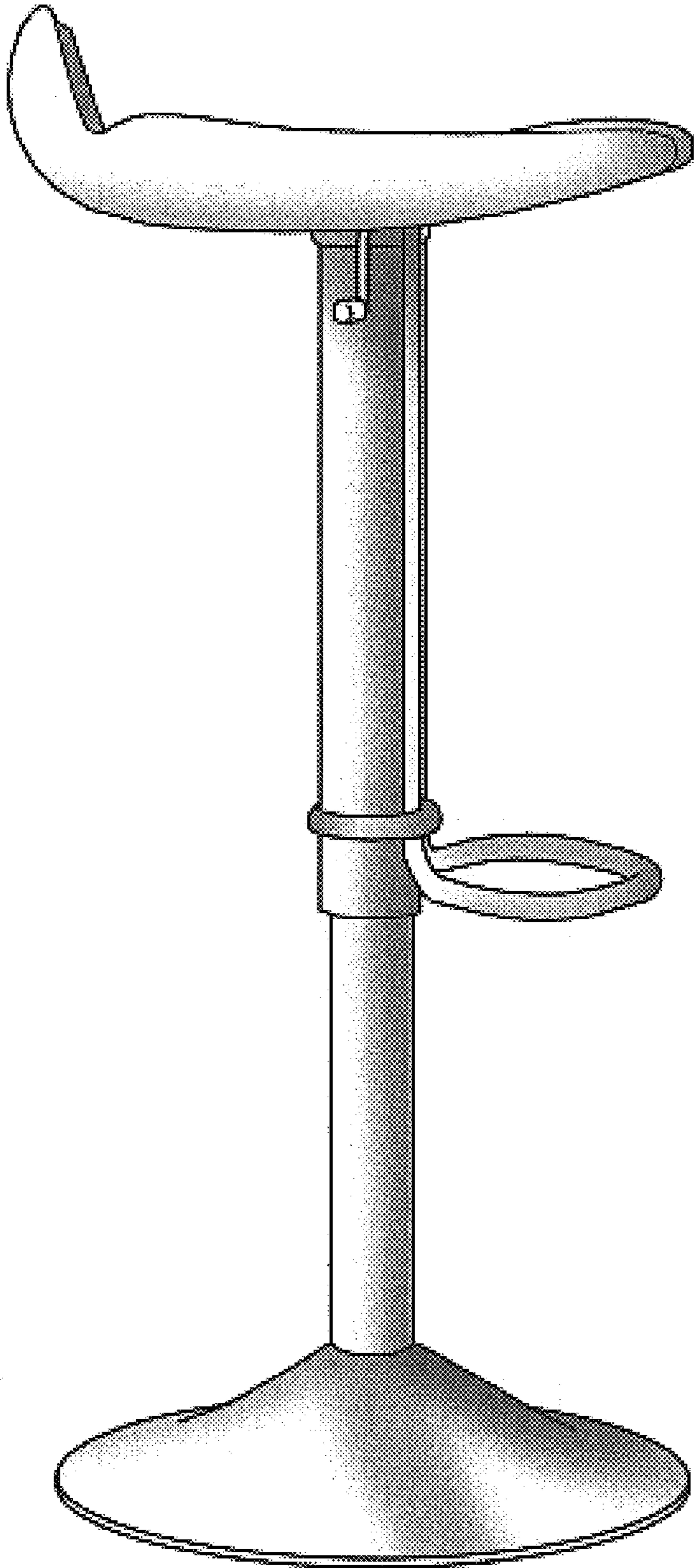
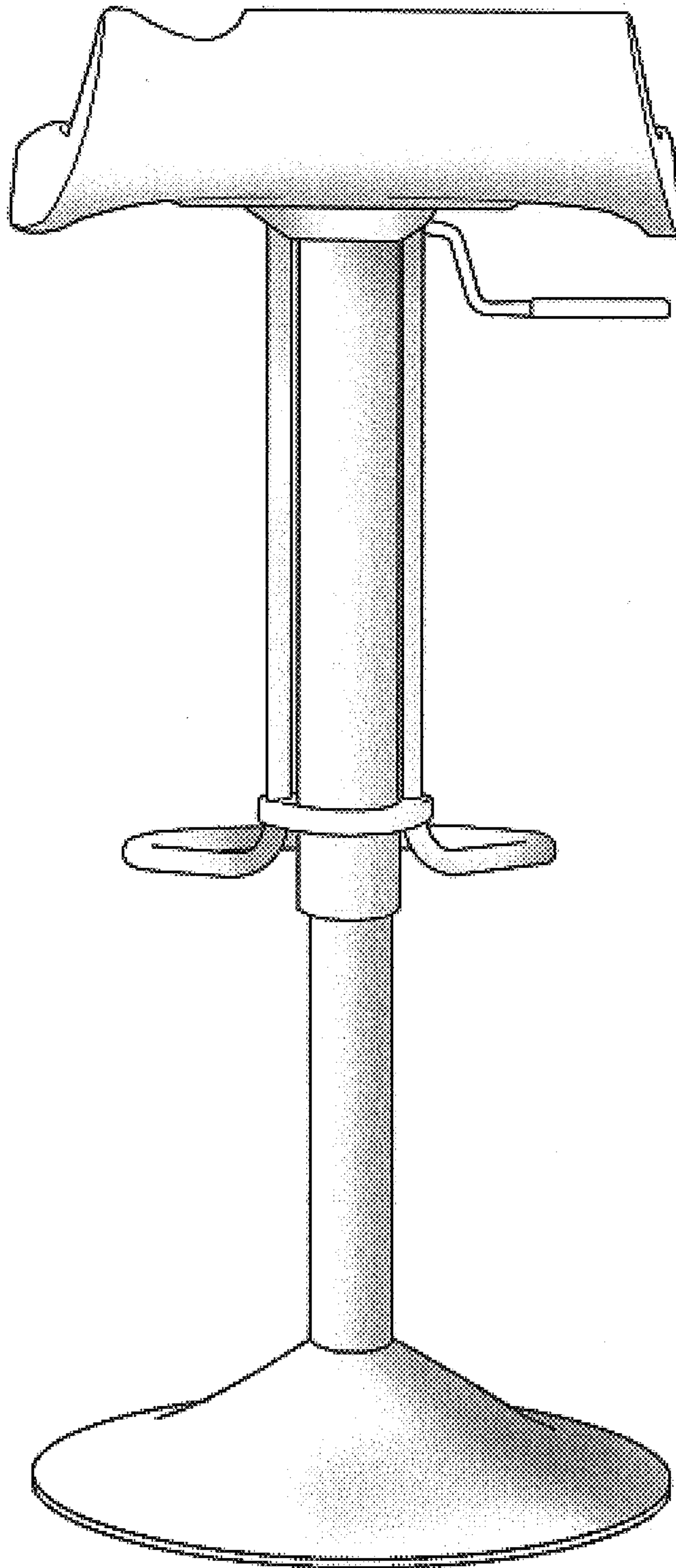


Fig. 5



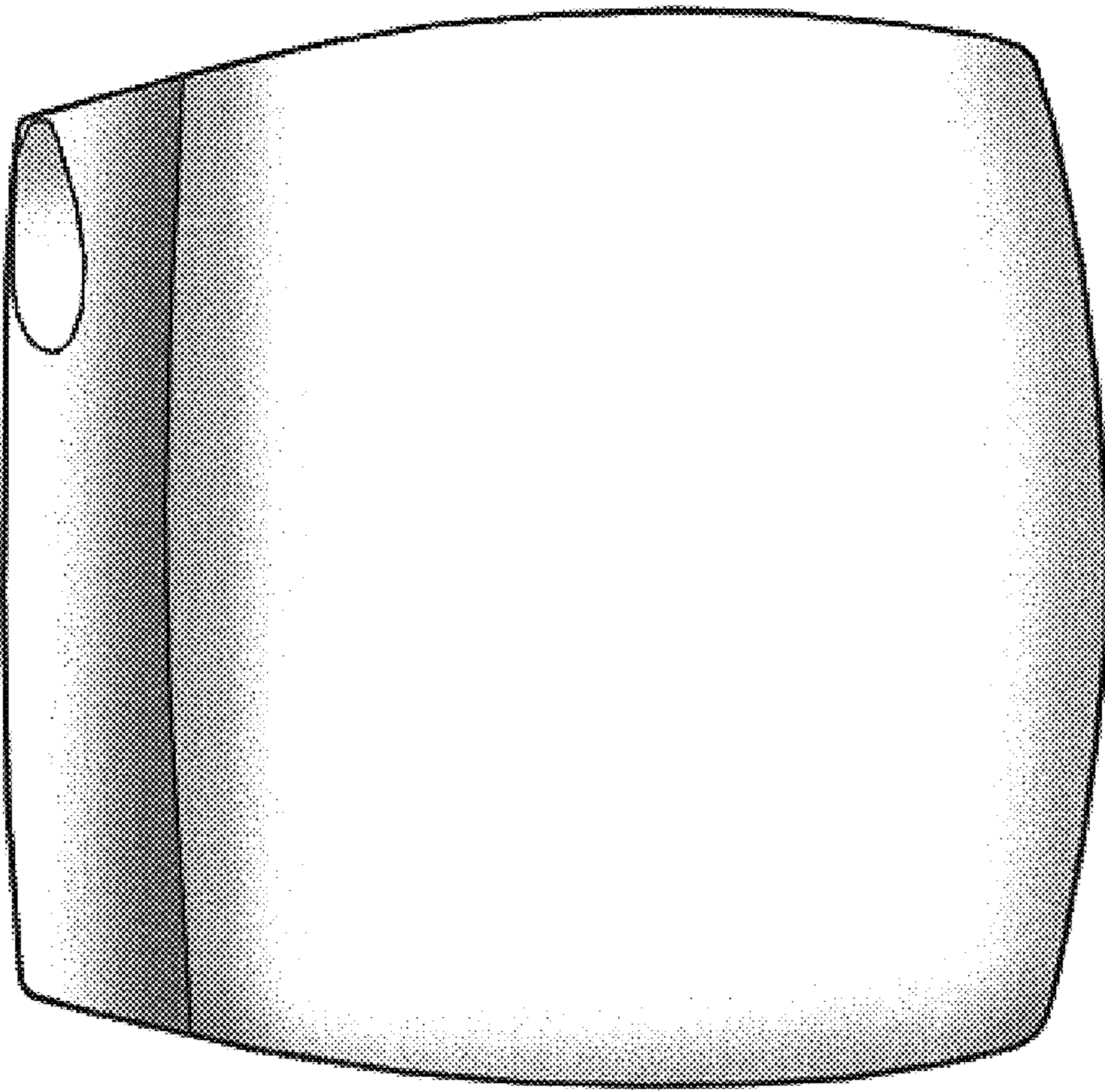


Fig.6