



US00D486310S

(12) **United States Design Patent**
Goldy

(10) **Patent No.:** **US D486,310 S**

(45) **Date of Patent:** **** Feb. 10, 2004**

(54) **COMBINED CHAIR AND UMBRELLA**

(76) **Inventor:** **Douglas E. Goldy**, 5435 Olympic Way,
Sacramento, CA (US) 95842

(**) **Term:** **14 Years**

(21) **Appl. No.:** **29/182,752**

(22) **Filed:** **Jun. 2, 2003**

(51) **LOC (7) Cl.** **06-01**

(52) **U.S. Cl.** **D6/335; D6/368**

(58) **Field of Search** D6/334-335, 336,
D6/367, 368, 374, 375, 500-502; 297/16.1,
16.2, 45, 46, 55, 56, 188.01, 184.16, 440.11,
411.43, 411.44, 452.13, 188.14

(56) **References Cited**

U.S. PATENT DOCUMENTS

1,258,045	A	*	3/1918	Premysl	297/184.16
5,350,215	A	*	9/1994	DeMars	297/184.16
5,893,605	A	*	4/1999	Chang	297/16.2
D432,325	S	*	10/2000	Zheng et al.	D6/368
6,149,238	A	*	11/2000	Tsai	297/411.43
6,209,951	B1	*	4/2001	Han	297/45

D460,280	S	*	7/2002	Fox	D6/368
6,471,289	B2	*	10/2002	Aguilar	297/184.16
6,499,804	B1	*	12/2002	Wu	297/381

* cited by examiner

Primary Examiner—Doris V. Coles

Assistant Examiner—Mimosa De

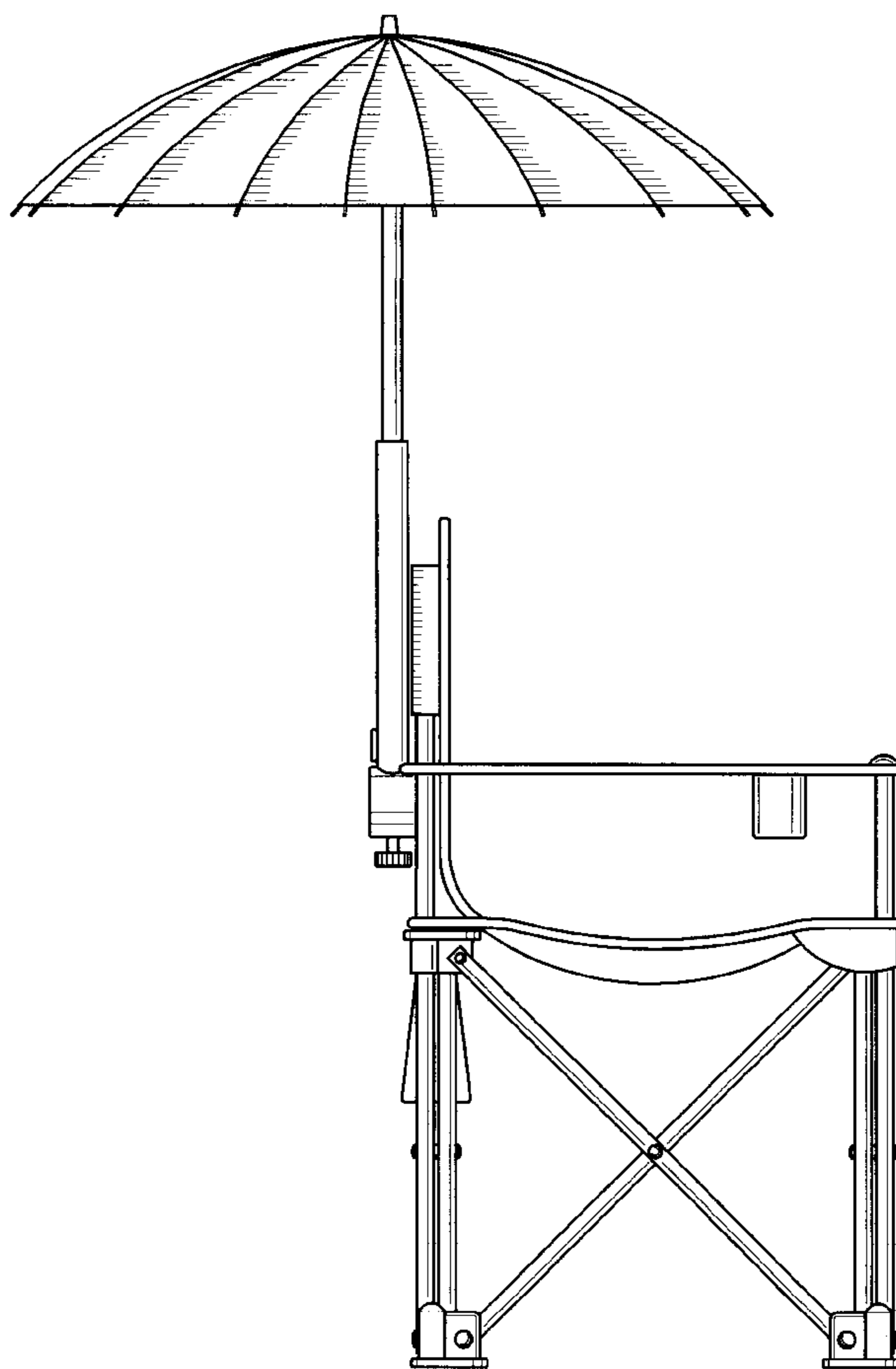
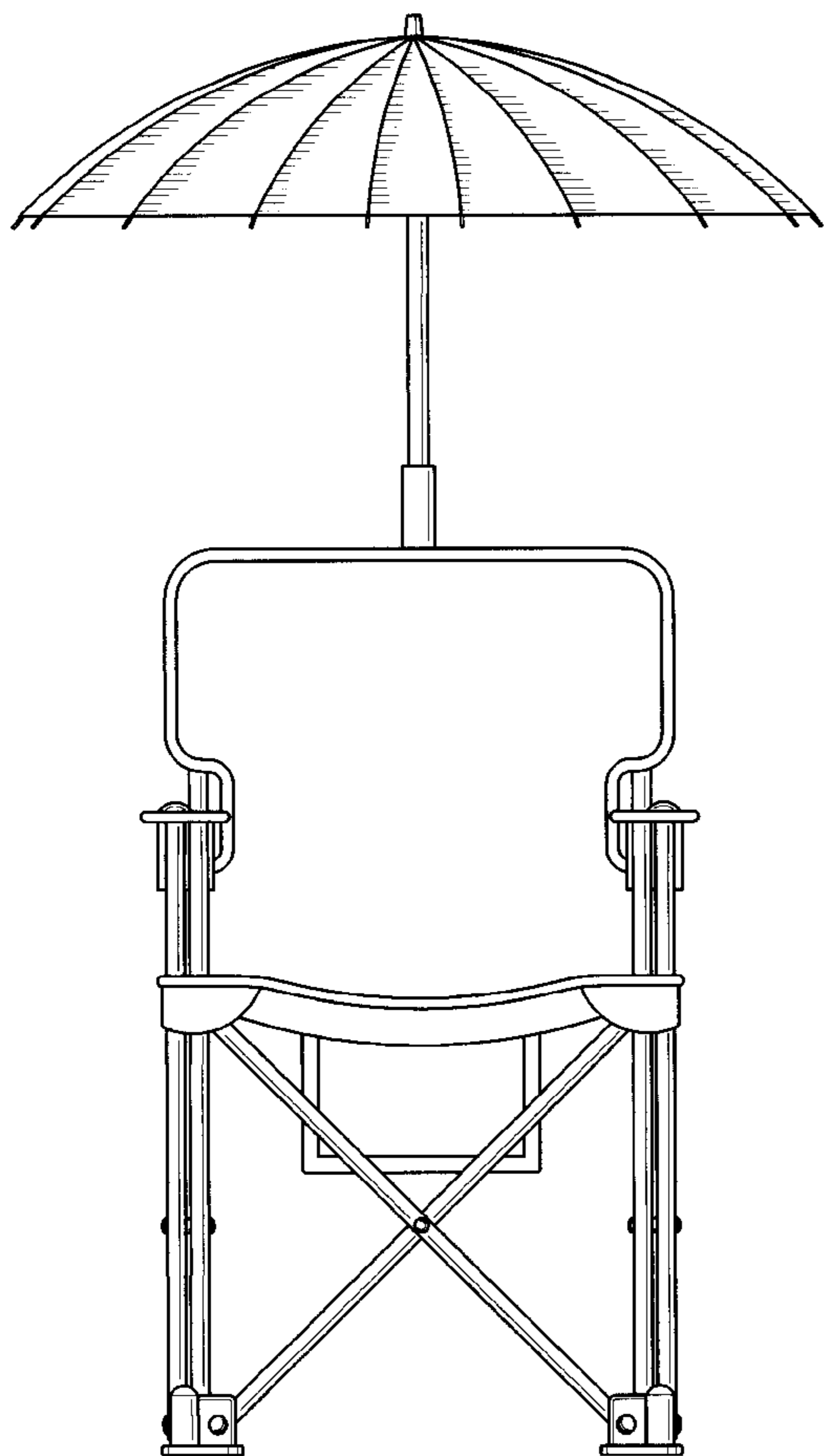
(57) **CLAIM**

The ornamental design for a combined chair and umbrella,
as shown and described.

DESCRIPTION

FIG. 1 is a front elevated view of a combined chair and umbrella showing my new design;
 FIG. 2 is a rear elevated view of the combined chair and umbrella;
 FIG. 3 is a side elevated view of the combined chair and umbrella;
 FIG. 4 is a top plan view of the combined chair and umbrella; and,
 FIG. 5 is a bottom plan view of the combined chair and umbrella.

1 Claim, 5 Drawing Sheets



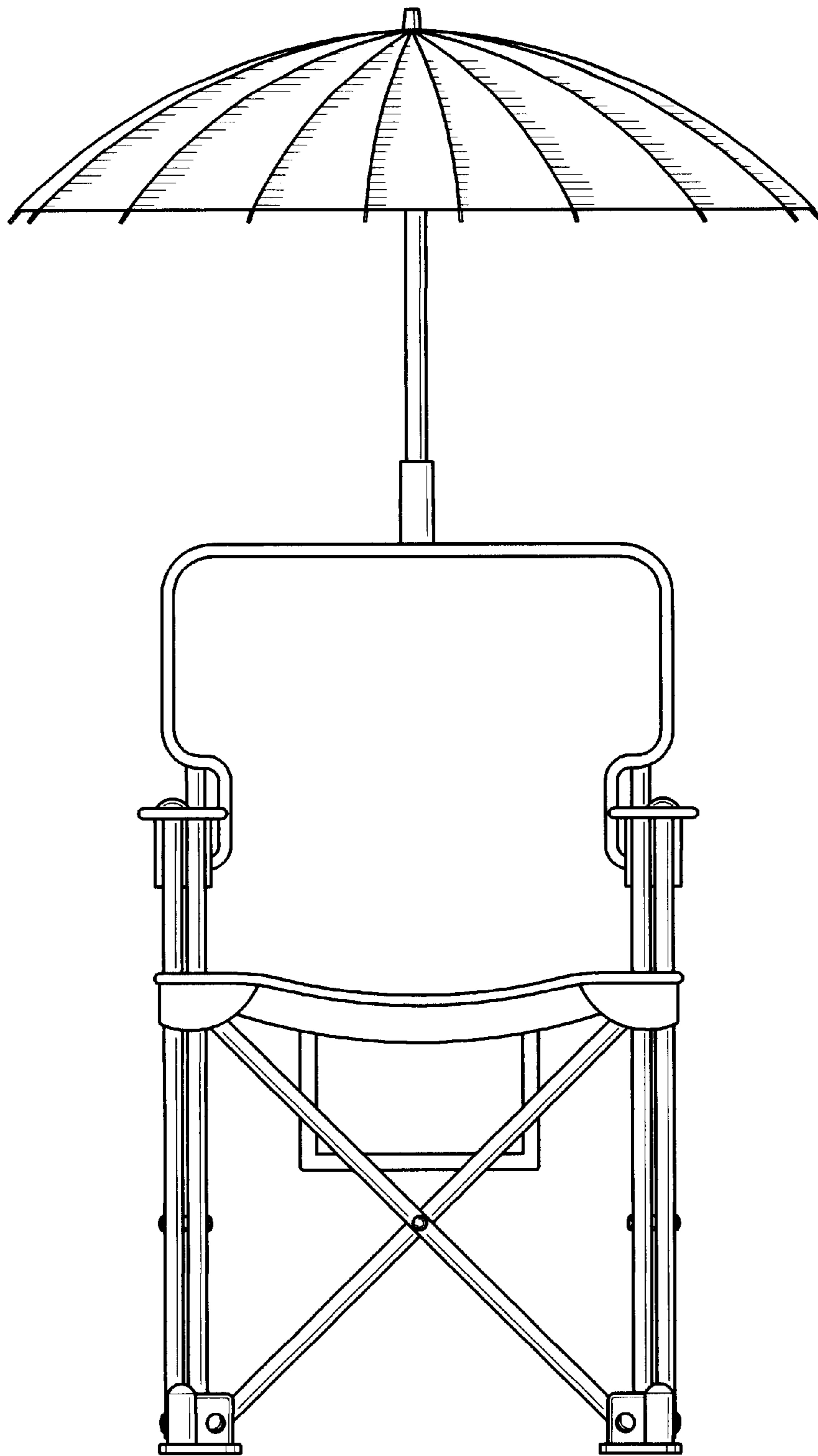


FIG. 1

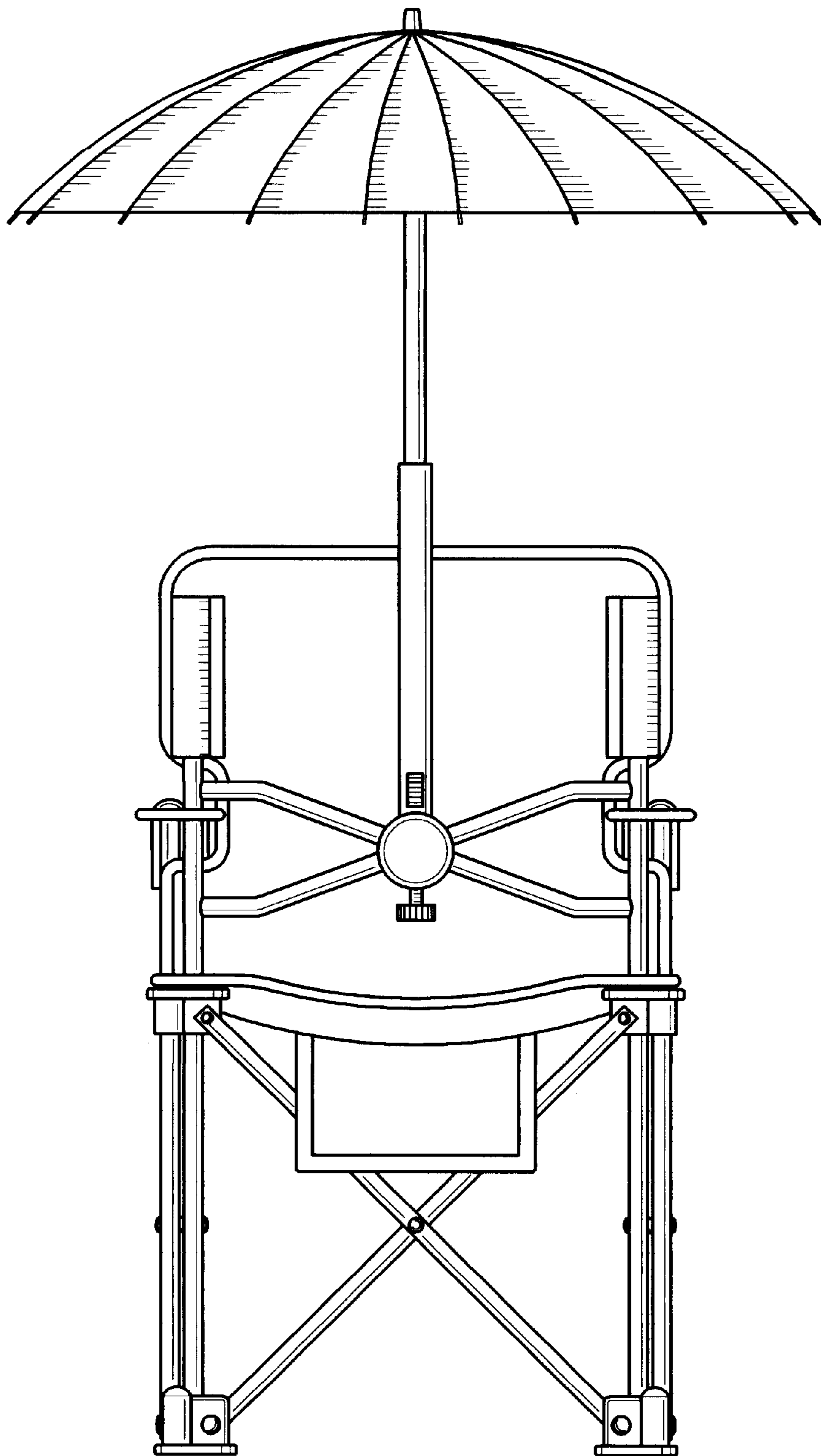


FIG. 2

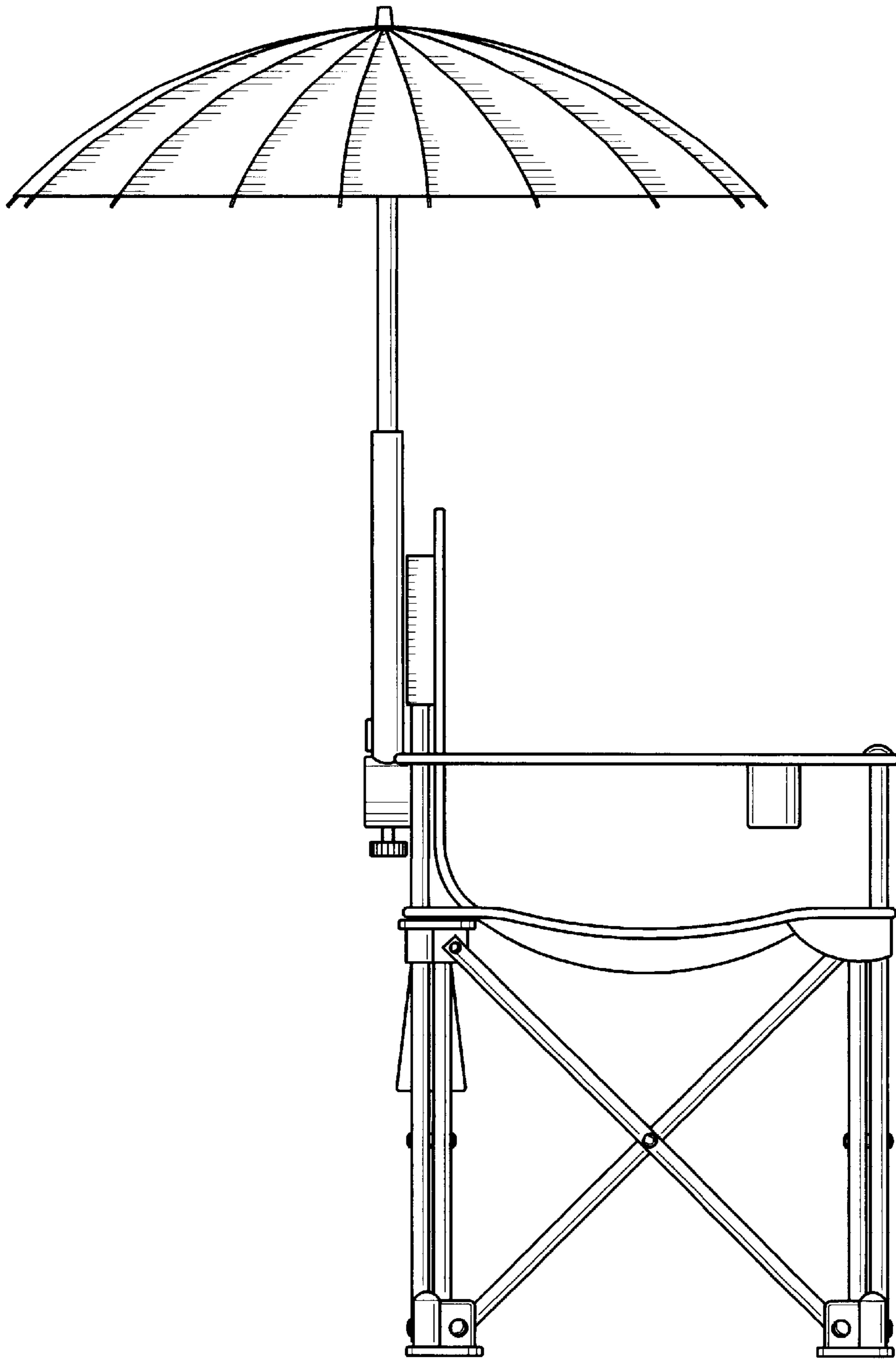


FIG.3

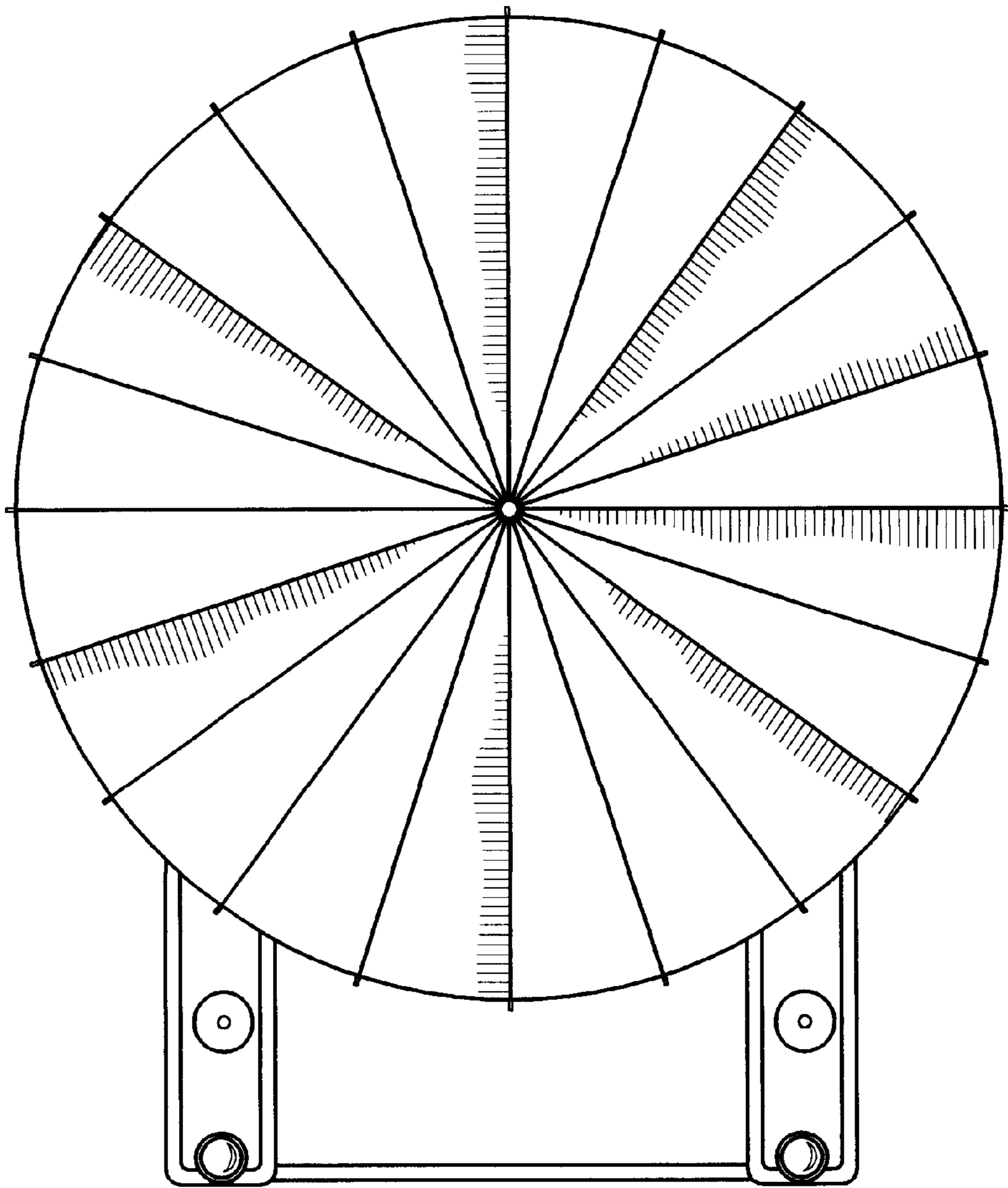


FIG.4

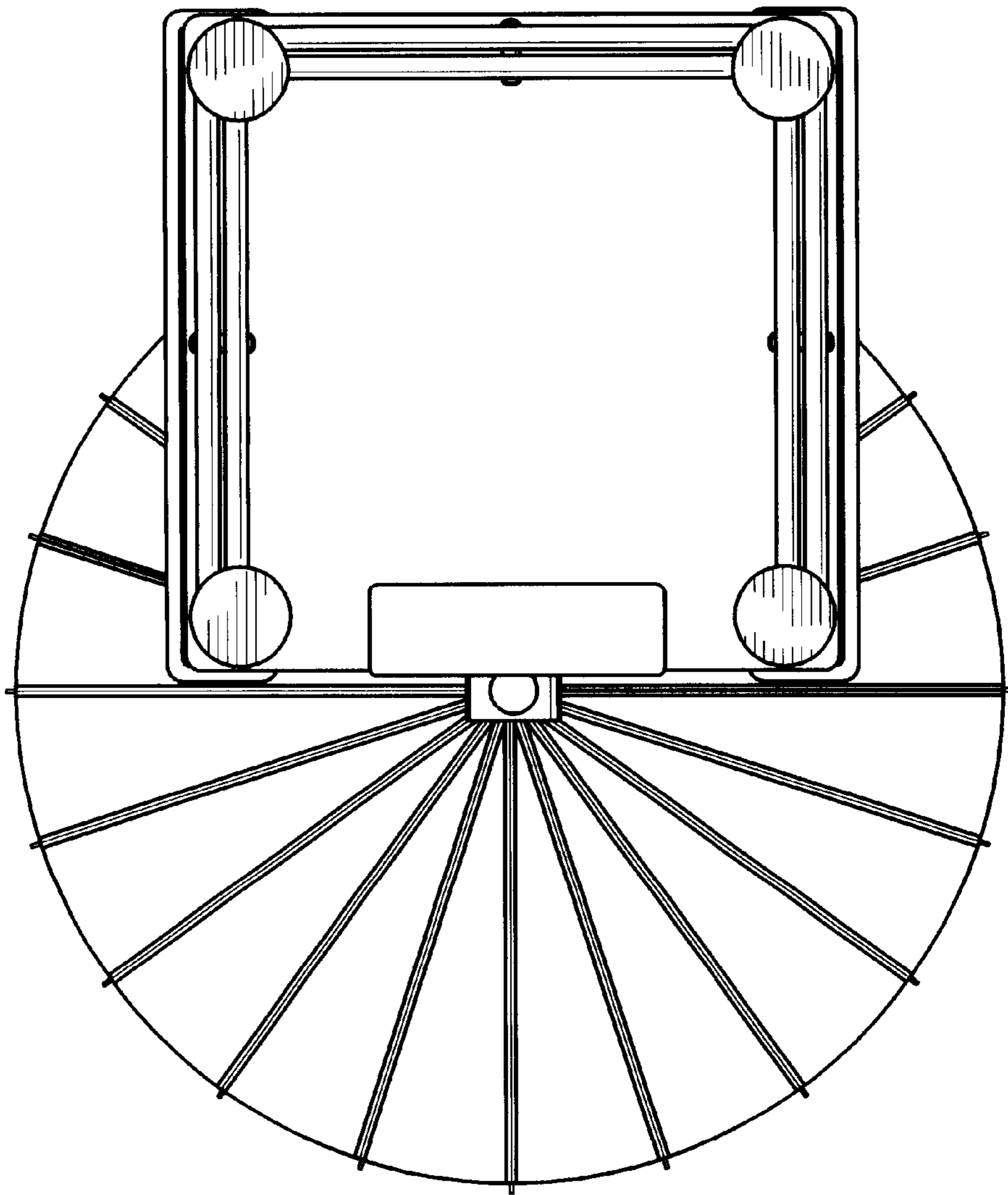


FIG.5