



US00D486309S

(12) **United States Design Patent**  
**Abdi et al.**

(10) **Patent No.: US D486,309 S**  
(45) **Date of Patent: \*\* Feb. 10, 2004**

(54) **ACCESSORY HANGER WITH SWIVEL HOOK**

**DESCRIPTION**

(75) Inventors: **Abraham Abdi**, Orange, CA (US);  
**Abbas Faradjollah**, Corona, CA (US);  
**Sadollah Validy**, Riverside, CA (US);  
**Charles Coulter**, Riverside, CA (US)

(73) Assignee: **Merrick Engineering, Inc.**, Corona, CA (US)

(\*\*) Term: **14 Years**

(21) Appl. No.: **29/175,686**

(22) Filed: **Feb. 10, 2003**

(51) **LOC (7) Cl. .... 06-08**

(52) **U.S. Cl. .... D6/315; D6/327**

(58) **Field of Search .... D6/315, 317-319, D6/326-328, 573; 211/113, 115, 119, 85.3; 223/85, 87-96, 98, DIG. 1, DIG. 4**

(56) **References Cited**

**U.S. PATENT DOCUMENTS**

1,691,123	A	*	11/1928	Pajeau	.....	211/113
3,592,343	A	*	7/1971	Swett et al.	.....	211/123
D242,414	S	*	11/1976	Salladay	.....	D6/315
D281,931	S	*	12/1985	Arnold et al.	.....	D6/317
D320,118	S	*	9/1991	Testa	.....	D6/317
D321,990	S	*	12/1991	Hernandez	.....	D6/316
5,437,378	A	*	8/1995	Ta	.....	211/115
5,566,837	A	*	10/1996	Lema	.....	211/33
5,664,708	A	*	9/1997	Sacks	.....	223/85
5,934,524	A	*	8/1999	Gray	.....	223/85

\* cited by examiner

*Primary Examiner*—B. J. Bullock

(74) *Attorney, Agent, or Firm*—G. Donald Weber, Jr.

(57) **CLAIM**

The ornamental design for an accessory hanger with swivel hook, as shown and described.

FIG. 1 is a perspective view of one embodiment of the accessory hanger with swivel hook of the instant invention.

FIG. 2 is a side view of the embodiment of the accessory hanger with swivel hook of the instant invention as shown in FIG. 1 with the swivel hook in one orientation.

FIG. 3 is a right end view of the embodiment of the accessory hanger with swivel hook of the instant invention as shown in FIG. 2.

FIG. 4 is a left end view of the embodiment of the accessory hanger with swivel hook of the instant invention as shown in FIG. 2 with the swivel hook in another orientation.

FIG. 5 is a top view of the embodiment of the accessory hanger with swivel hook of the instant invention as shown in FIG. 1 with the hook rotated approximately 45°.

FIG. 6 is a bottom view of the embodiment of the accessory hanger with swivel hook of the instant invention shown in FIG. 5.

FIG. 7 is a perspective view of a second embodiment of the accessory hanger with swivel hook of the instant invention.

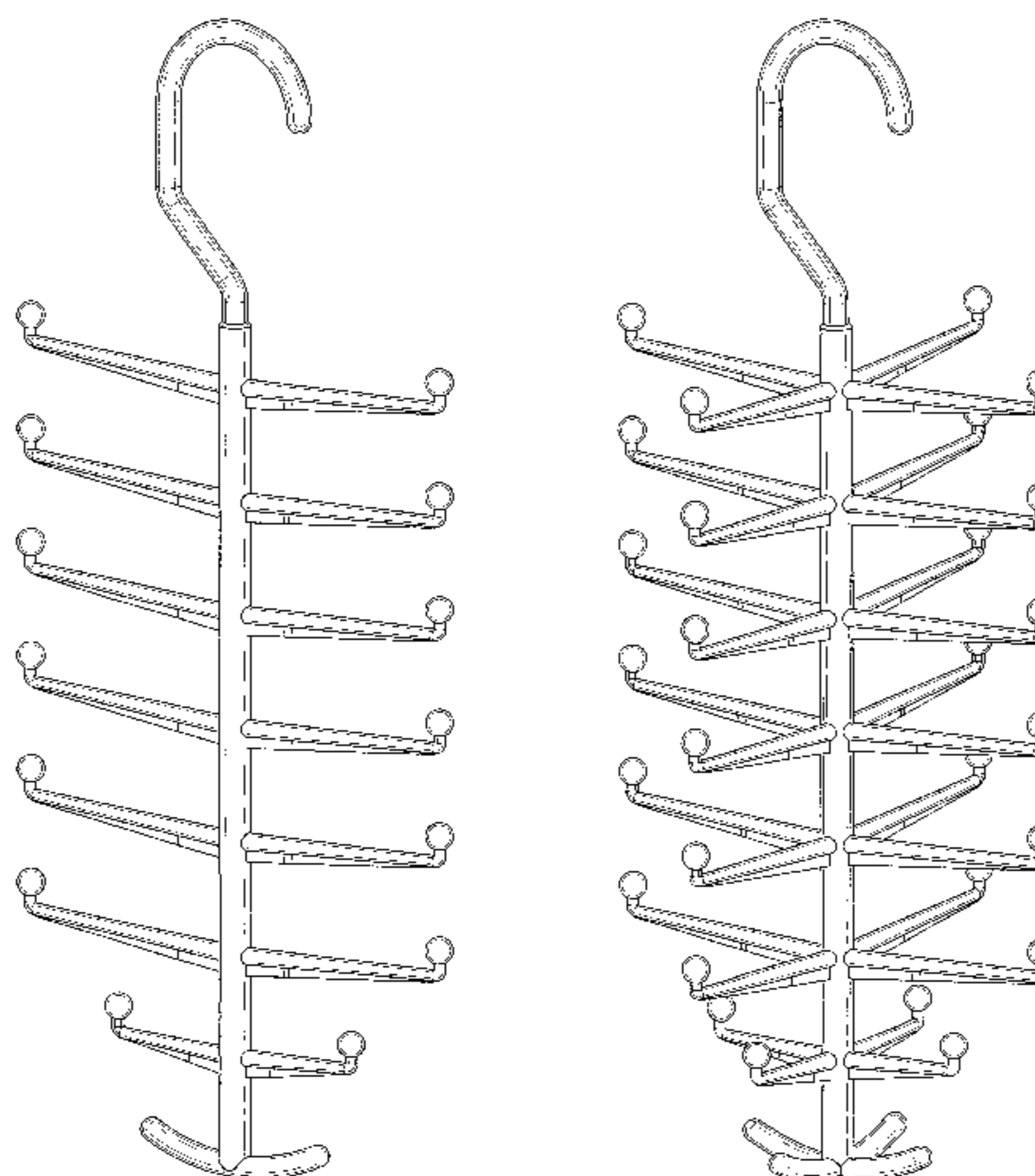
FIG. 8 is one side view of the embodiment of the accessory hanger with swivel hook of the instant invention as shown in FIG. 7 with the swivel hook in one orientation. The opposite side view is the mirror image.

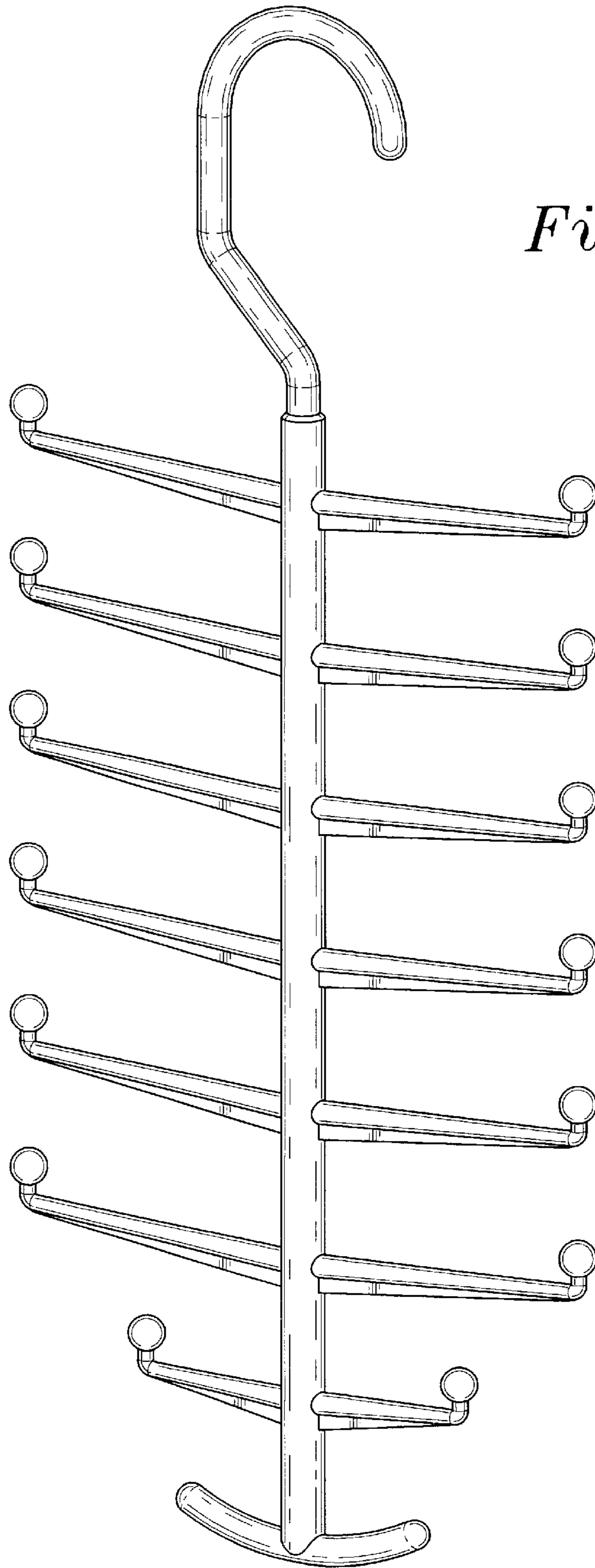
FIG. 9 is another side view of the embodiment of the accessory hanger with swivel hook of the instant invention as shown in FIG. 7 rotated 90° with the swivel hook in the same orientation. The opposite side view is the mirror image.

FIG. 10 is a top view of the embodiment of the accessory hanger with swivel hook of the instant invention as shown in FIG. 7 with the hook rotated approximately 45°; and,

FIG. 11 is a bottom view of the embodiment of the accessory hanger with swivel hook of the instant invention shown in FIG. 10.

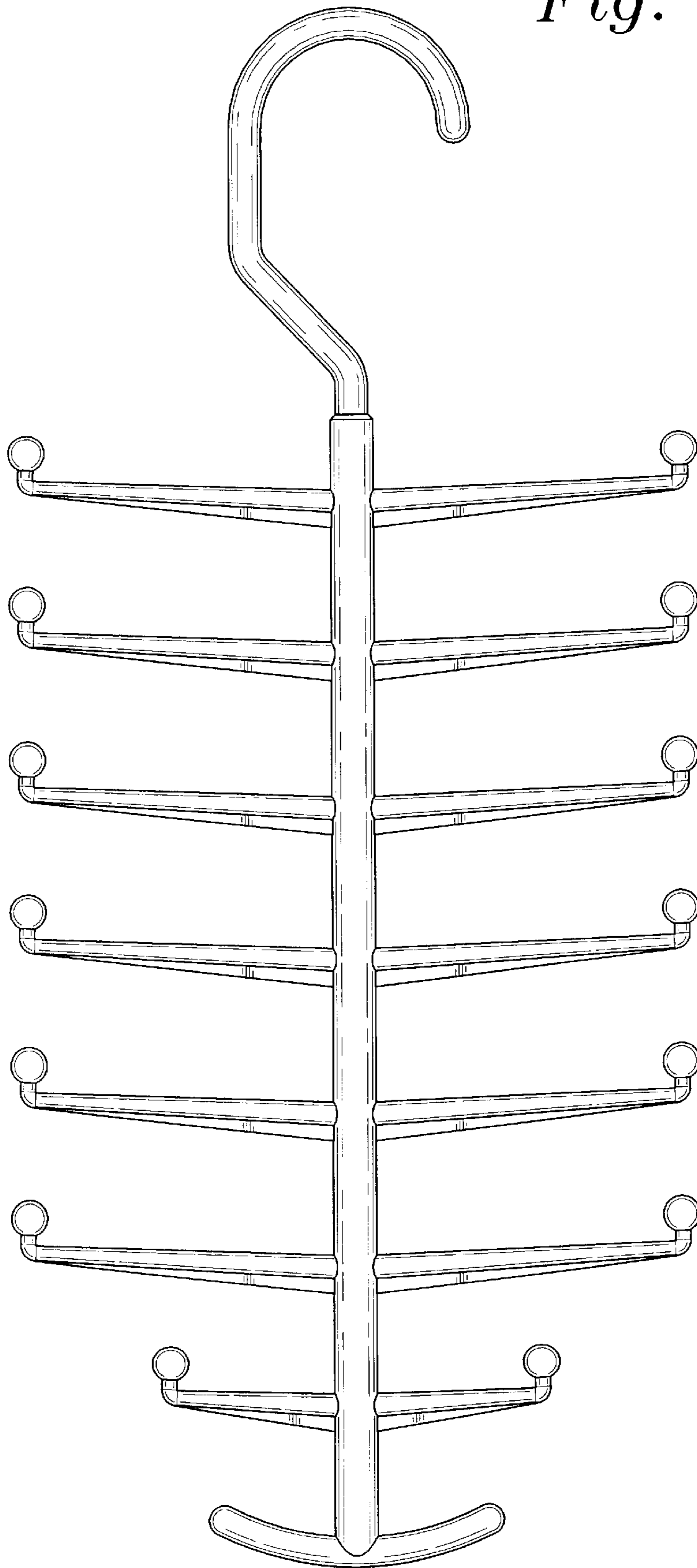
**1 Claim, 8 Drawing Sheets**





*Fig. 1*

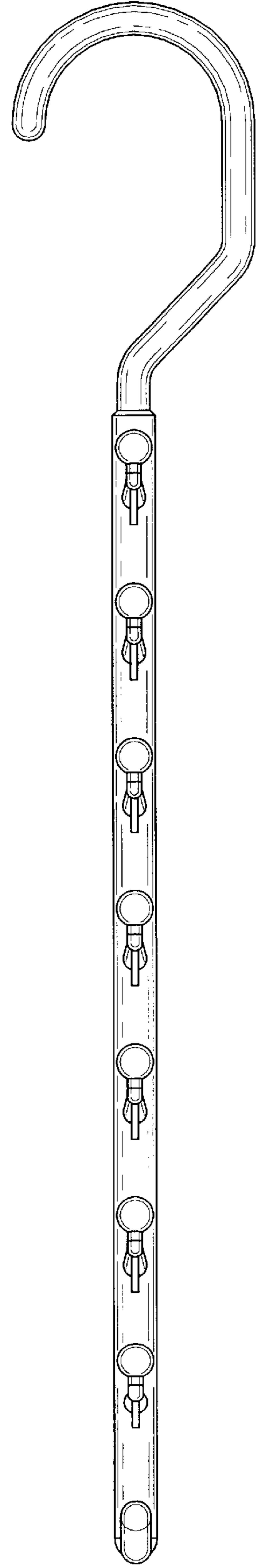
*Fig. 2*



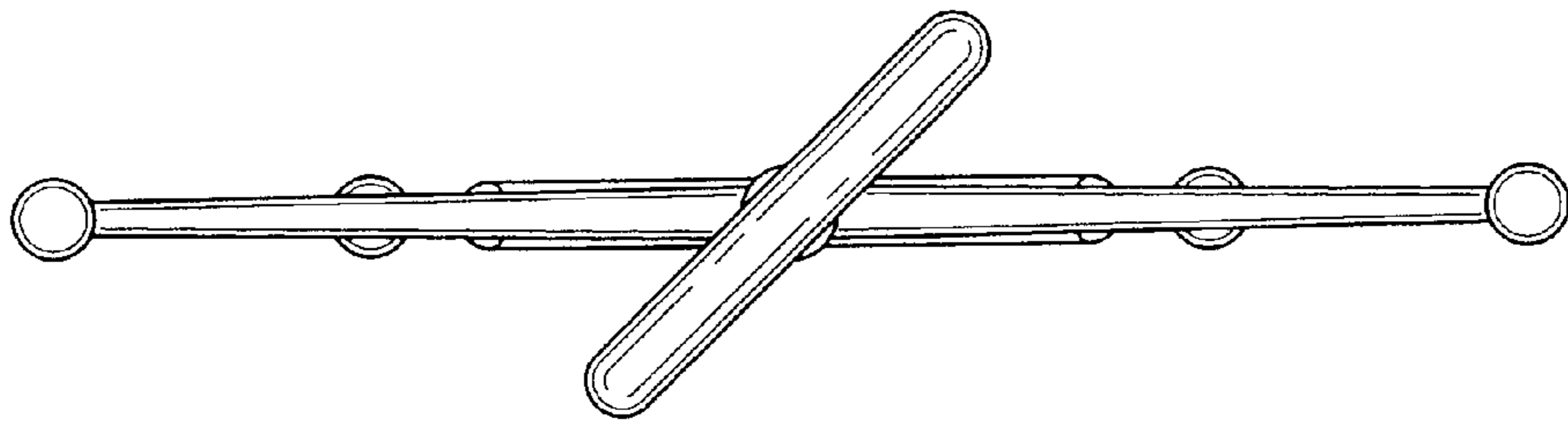
*Fig. 3*



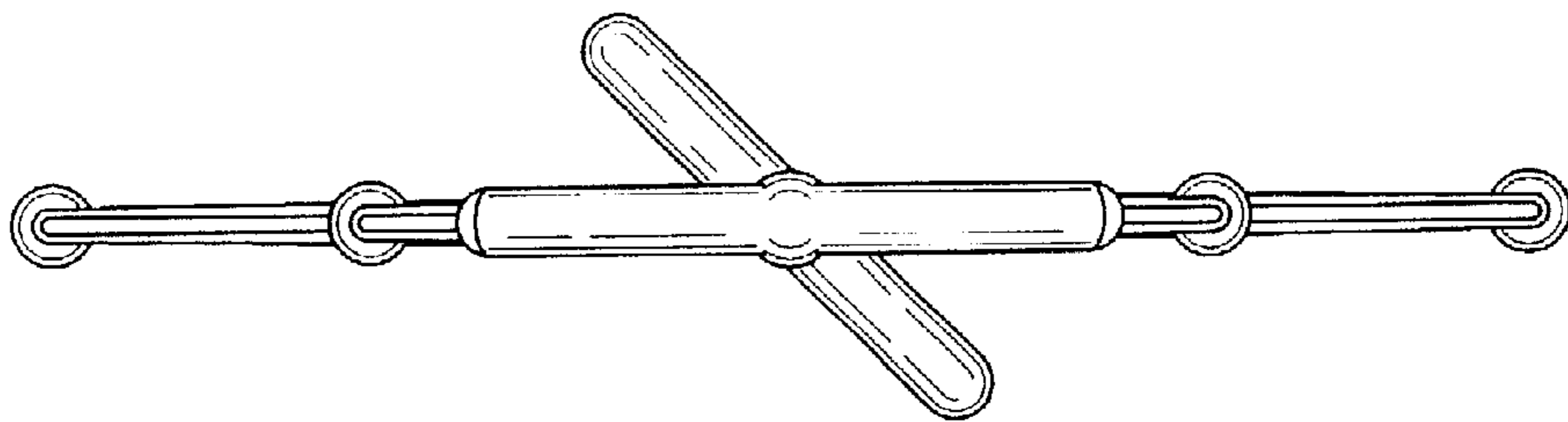
*Fig. 4*



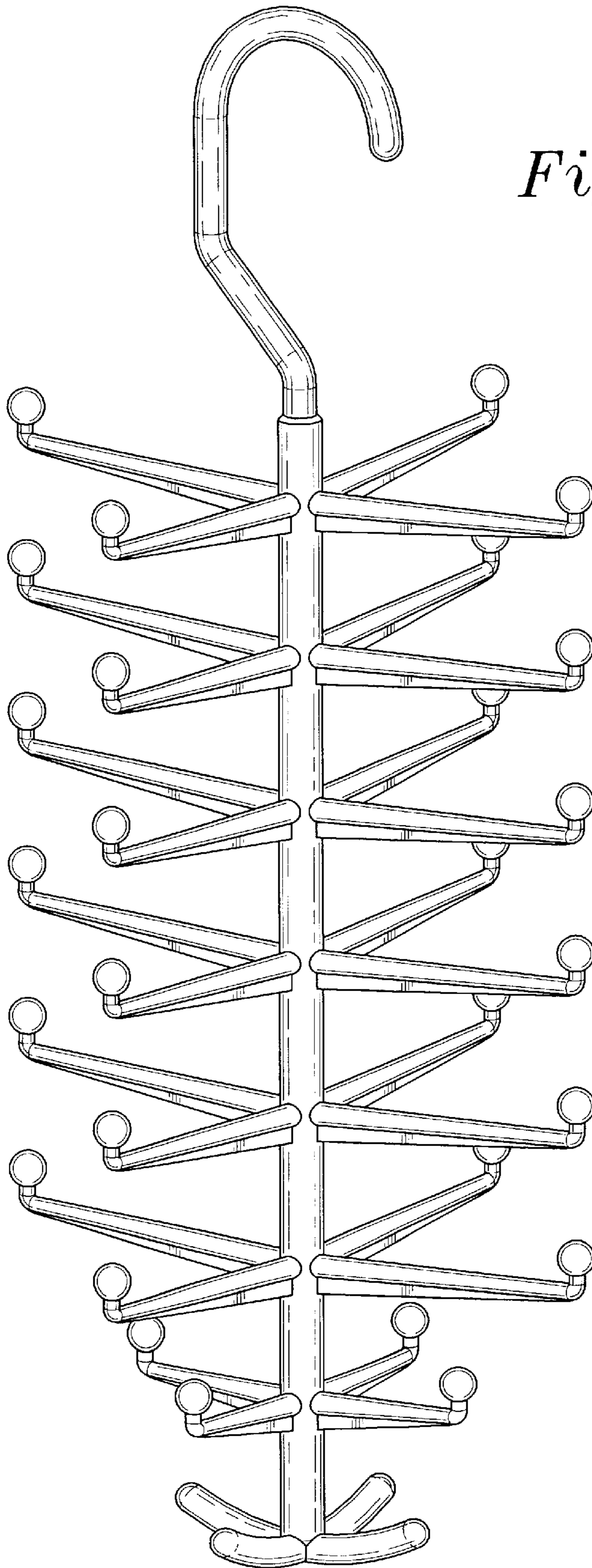
*Fig. 5*

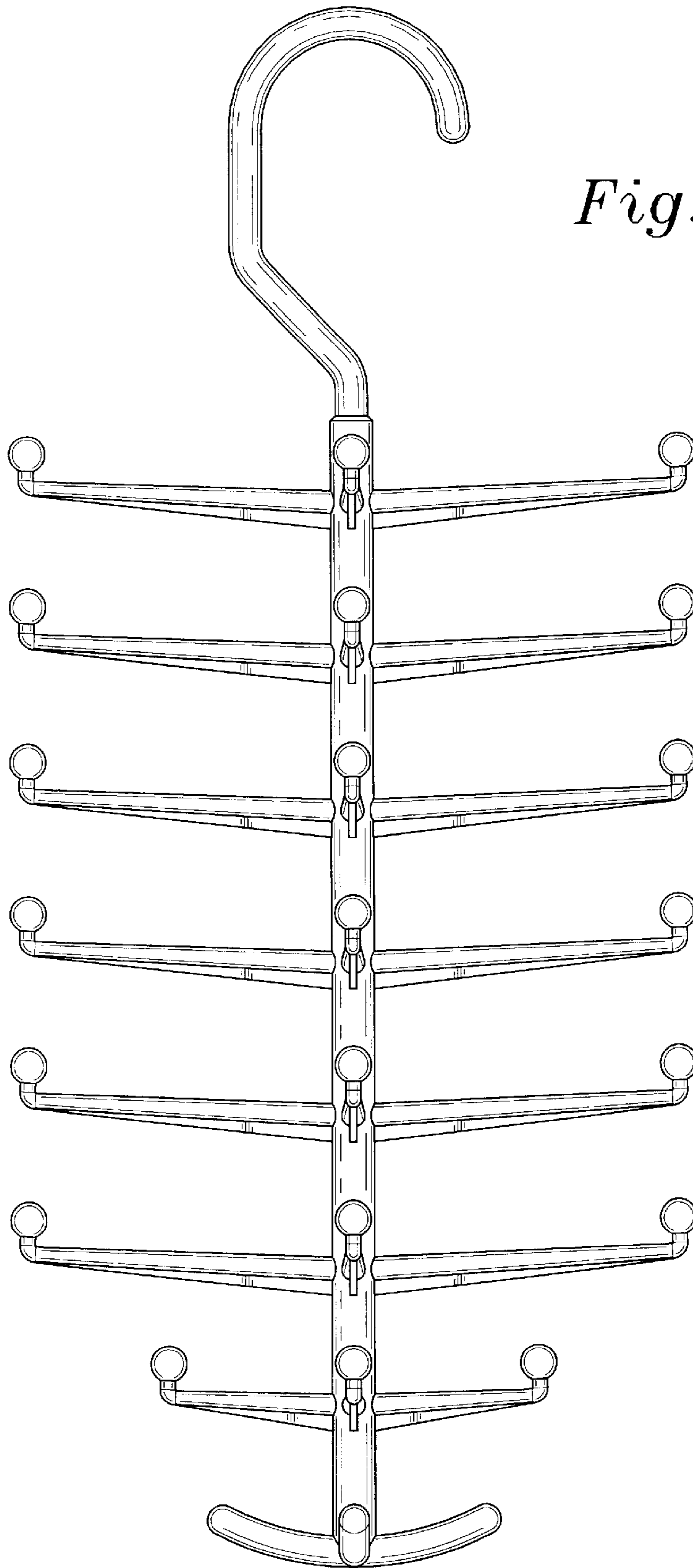


*Fig. 6*



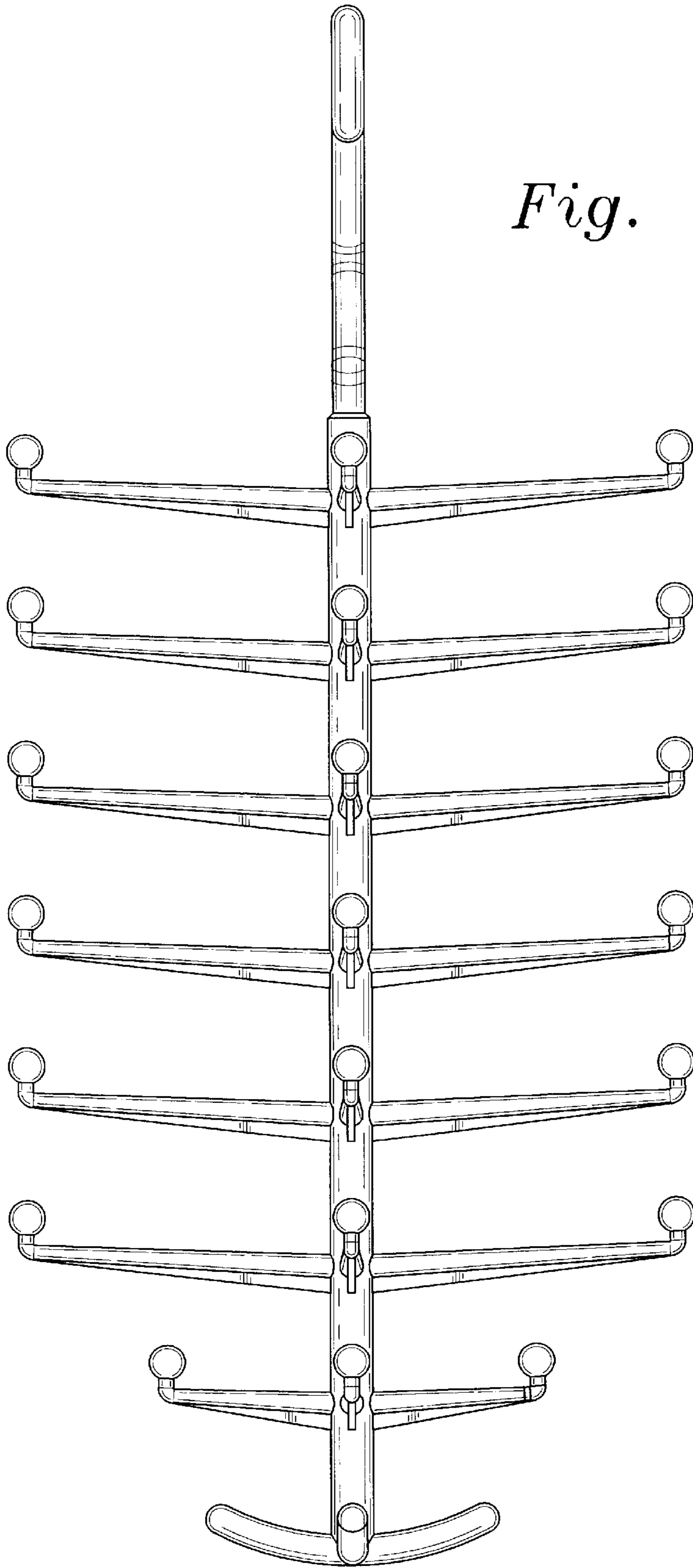
*Fig. 7*





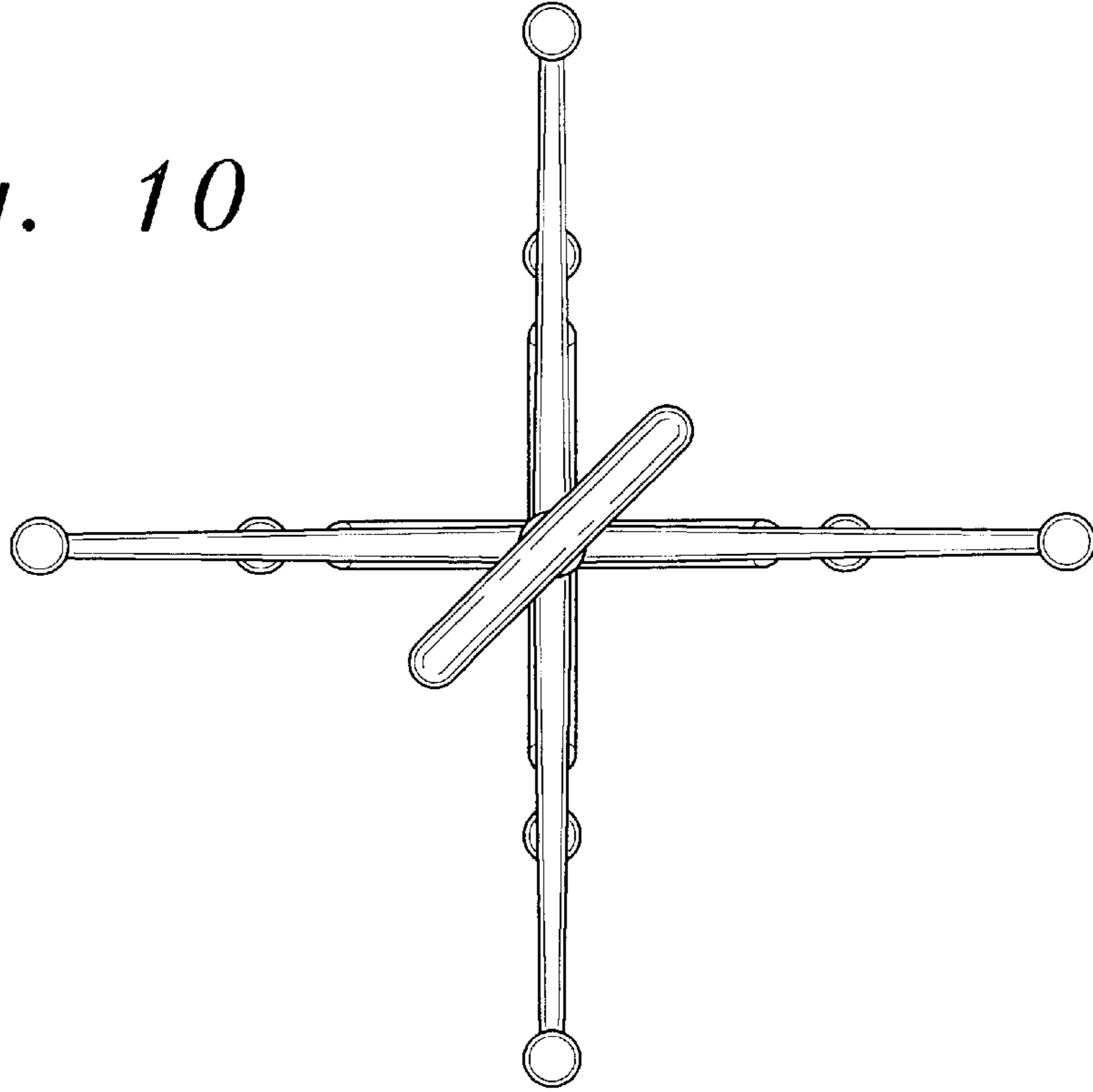
*Fig. 8*

*Fig. 9*





*Fig. 10*



*Fig. 11*

