



US00D486307S

(12) **United States Design Patent**
Rogers

(10) **Patent No.:** **US D486,307 S**

(45) **Date of Patent:** **** Feb. 10, 2004**

(54) **HAND BRUSH**

(76) Inventor: **James F. Rogers**, P.O. Box 723, Dallas, TX (US) 75313-0723

(**) Term: **14 Years**

(21) Appl. No.: **29/182,307**

(22) Filed: **May 23, 2003**

(51) **LOC (7) Cl.** **04-01**

(52) **U.S. Cl.** **D4/122; D4/131**

(58) **Field of Search** **D4/121, 122, 131; 15/22.4, 23, 25-27, 104.001, 159.1, 160, 206; D32/74**

(56) **References Cited**

U.S. PATENT DOCUMENTS

D198,437 S	*	6/1964	Wilbrecht	D4/122
D205,831 S	*	9/1966	Langner	D4/122
D222,818 S	*	1/1972	Horvath	D4/122
D223,069 S	*	3/1972	Roth	D4/122
3,747,152 A	*	7/1973	Tsuruzawa	15/22.4
D263,522 S	*	3/1982	Obradovic	D4/122
4,765,012 A	*	8/1988	Ueda	15/104.001 X

FOREIGN PATENT DOCUMENTS

GB 1155938 * 6/1969 B08B/1/01

* cited by examiner

Primary Examiner—Alan P. Douglas

Assistant Examiner—Lavone D. Tabor

(74) *Attorney, Agent, or Firm*—Andrew J. Dillon; Bracewell & Patterson, L.L.P.

(57) **CLAIM**

We claim the ornamental design for the hand brush, as shown and described.

DESCRIPTION

FIG. 1 is a perspective view of the hand brush of the present invention.

FIG. 2 is a top view of the hand brush of the present invention.

FIG. 3 is a left side view of the hand brush of the present invention.

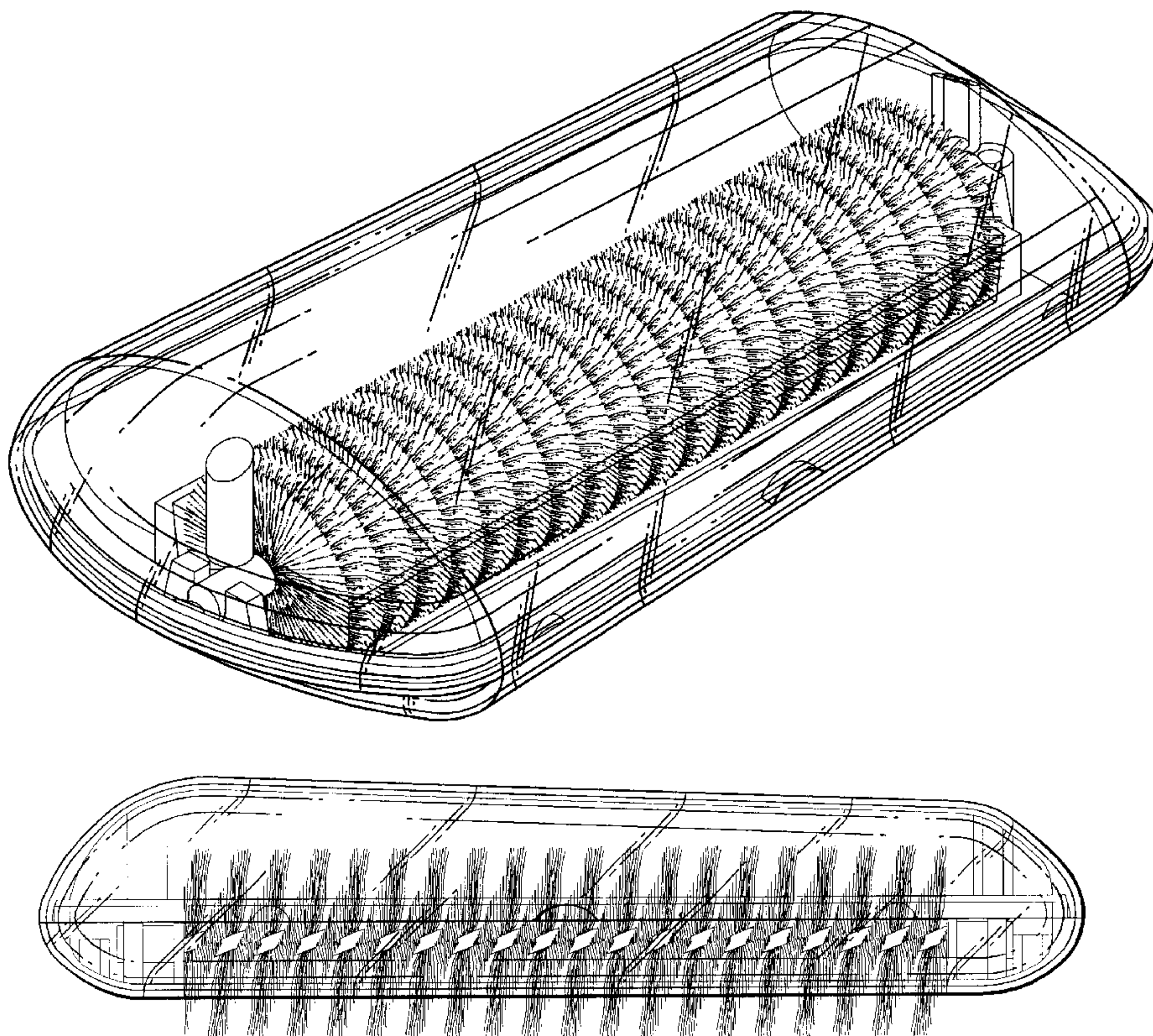
FIG. 4 is a first end view of the hand brush of the present invention.

FIG. 5 is a right side view of the hand brush of the present invention.

FIG. 6 is a second end view of the hand brush of the present invention; and,

FIG. 7 is a bottom view of the hand brush of the present invention.

1 Claim, 3 Drawing Sheets



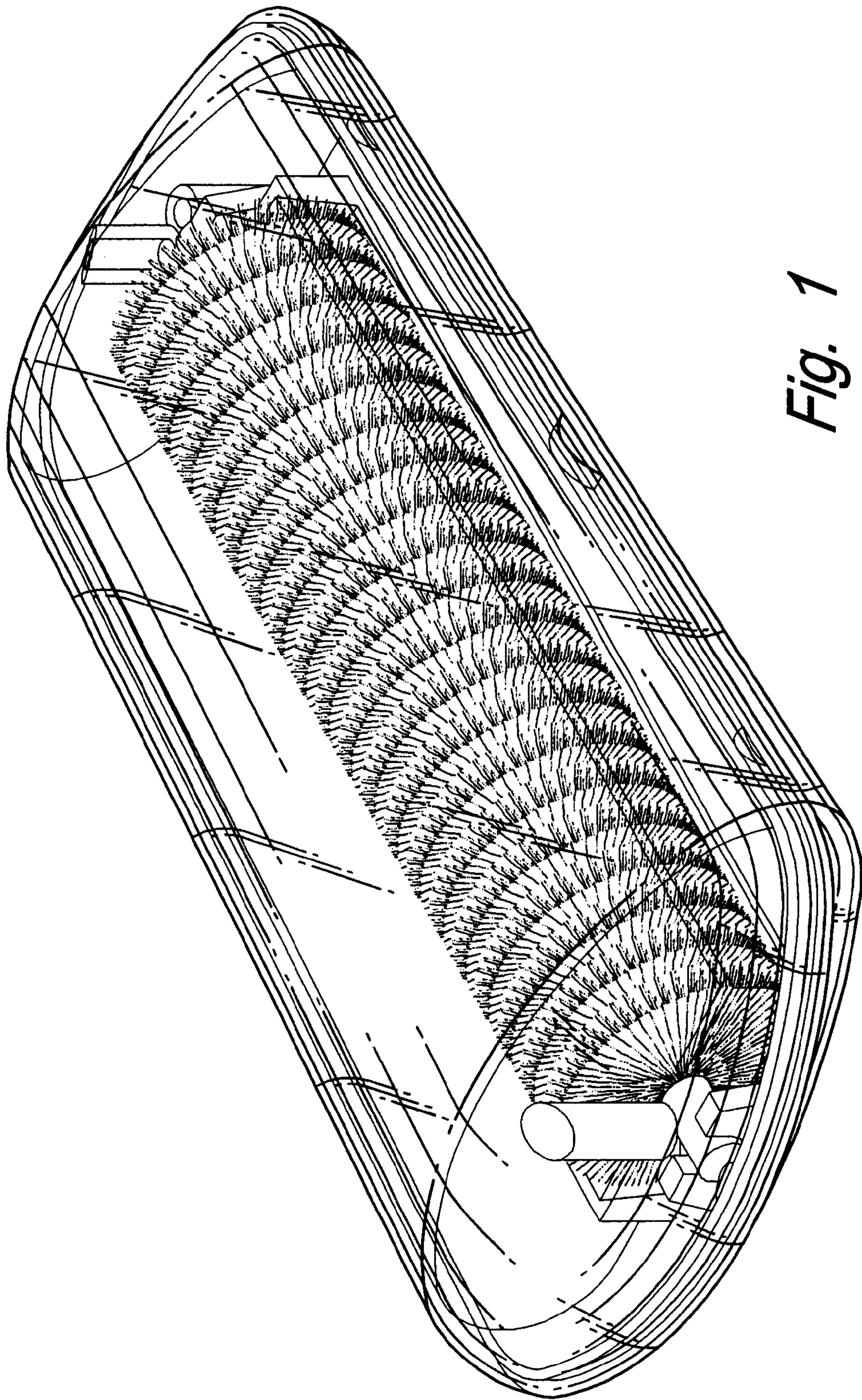


Fig. 1

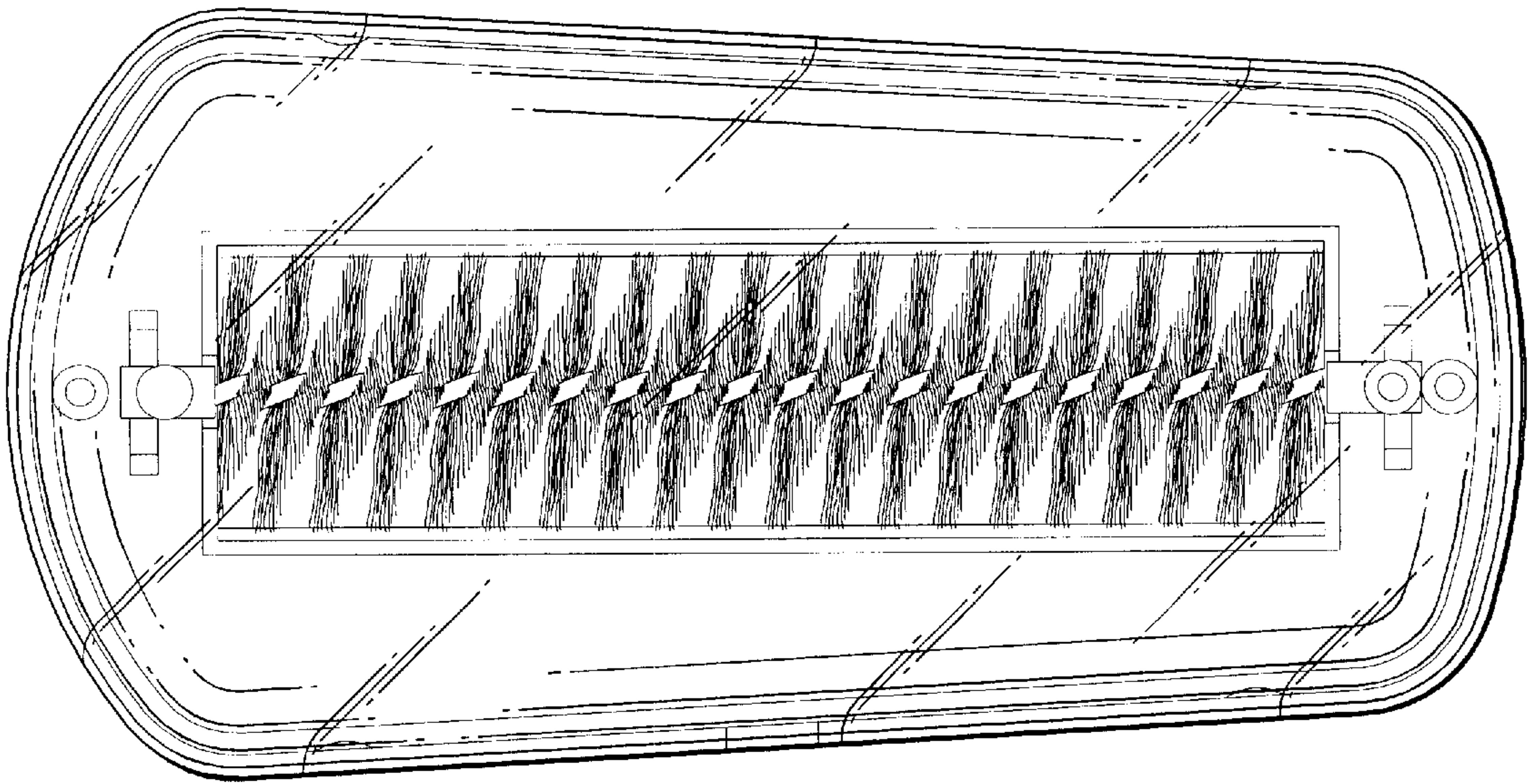


Fig. 2

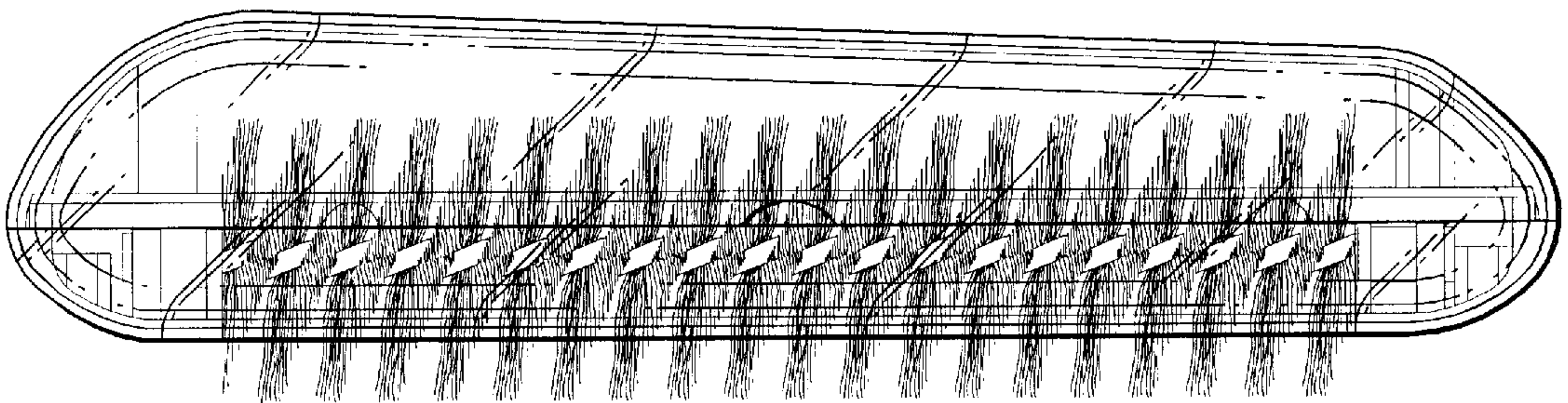


Fig. 3

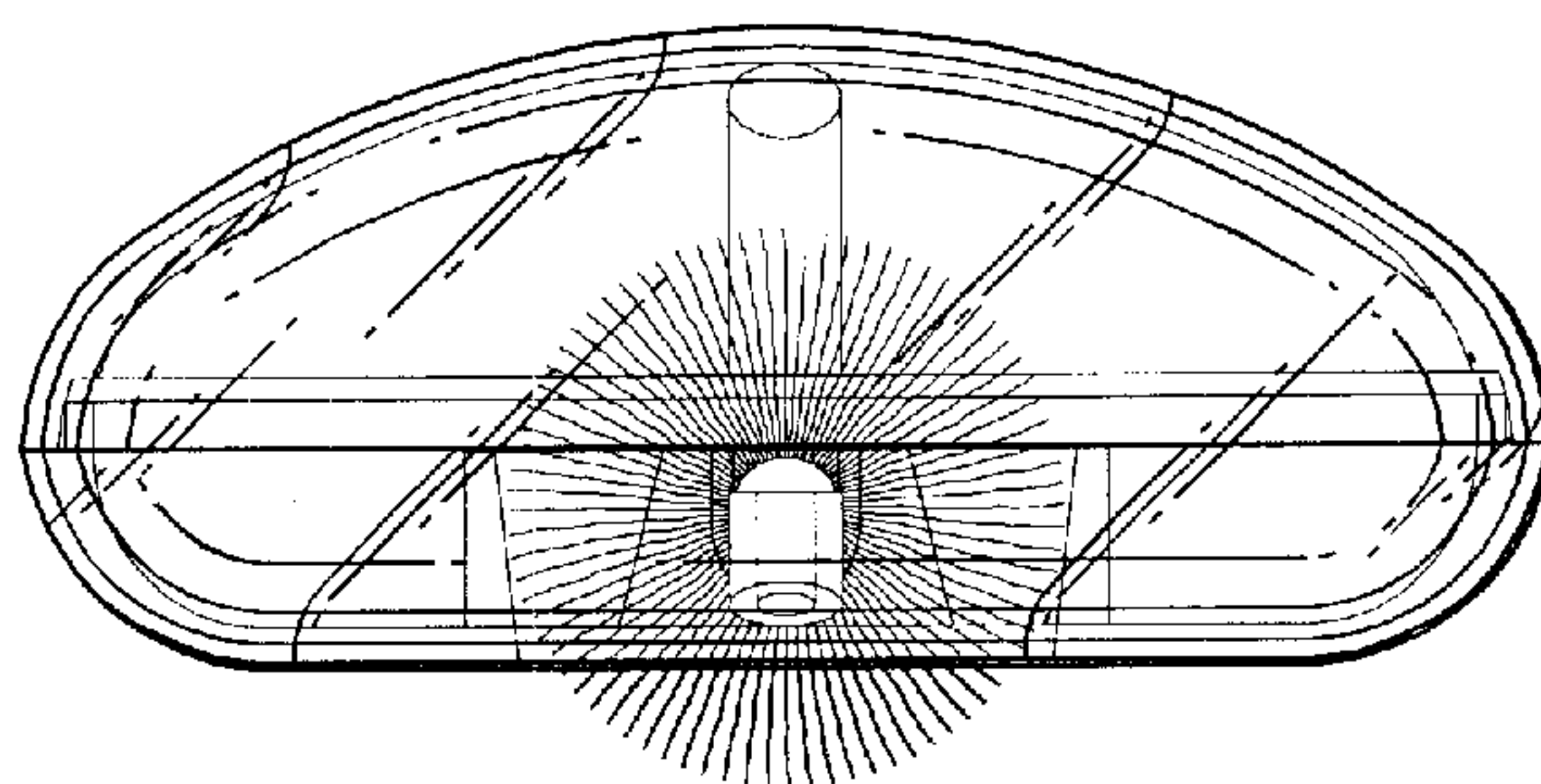


Fig. 4

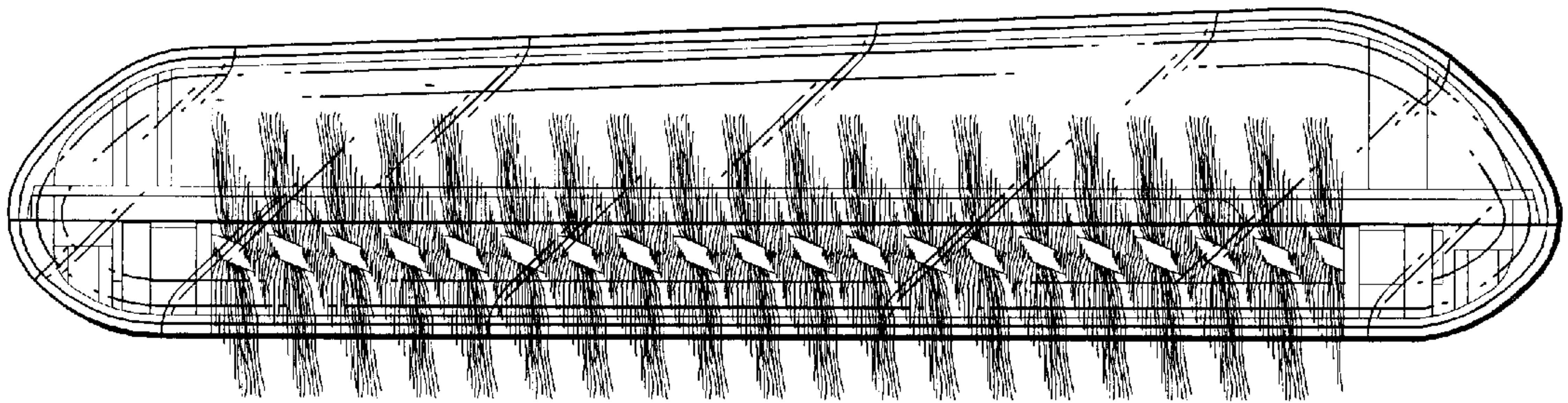


Fig. 5

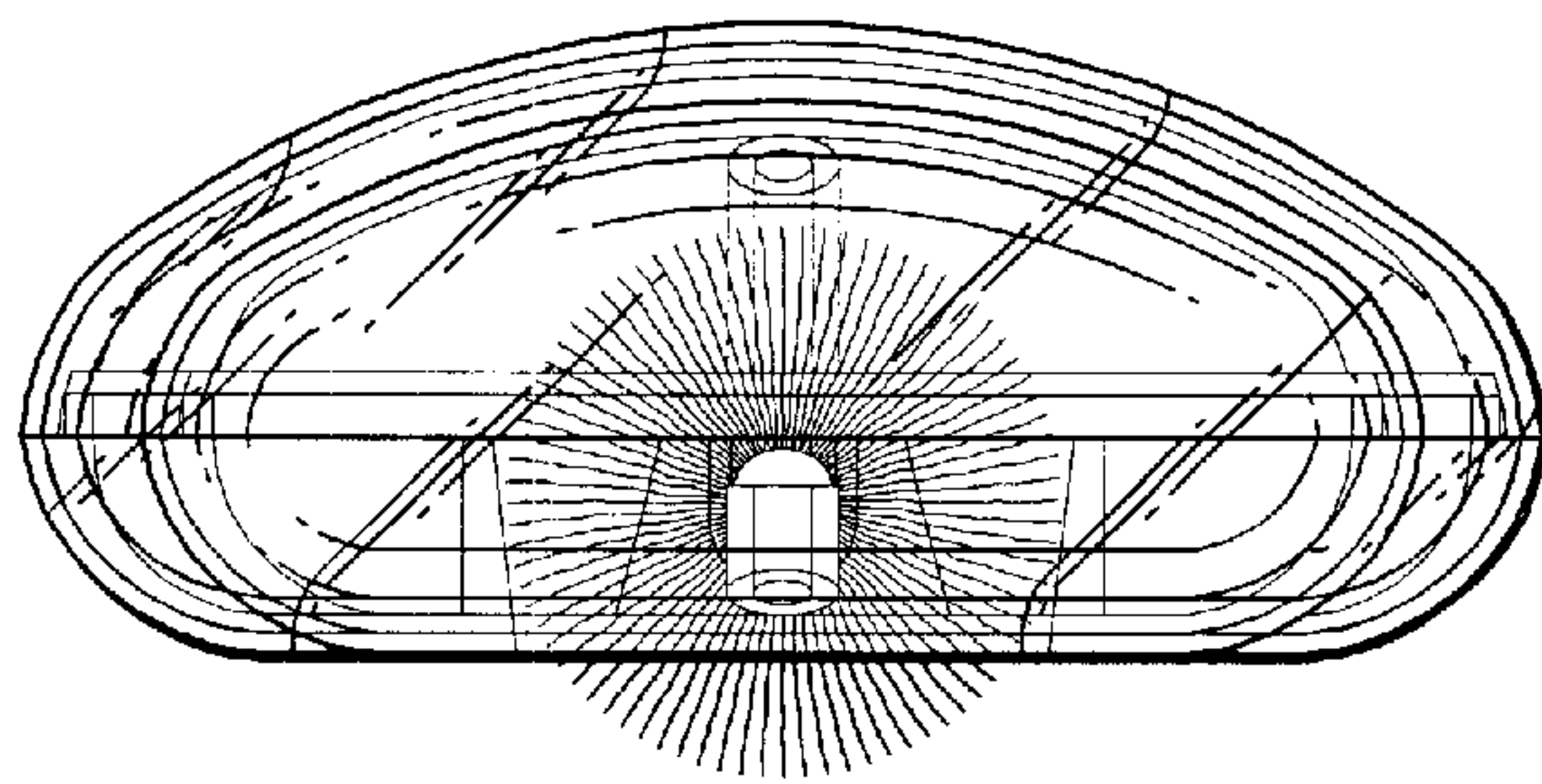


Fig. 6

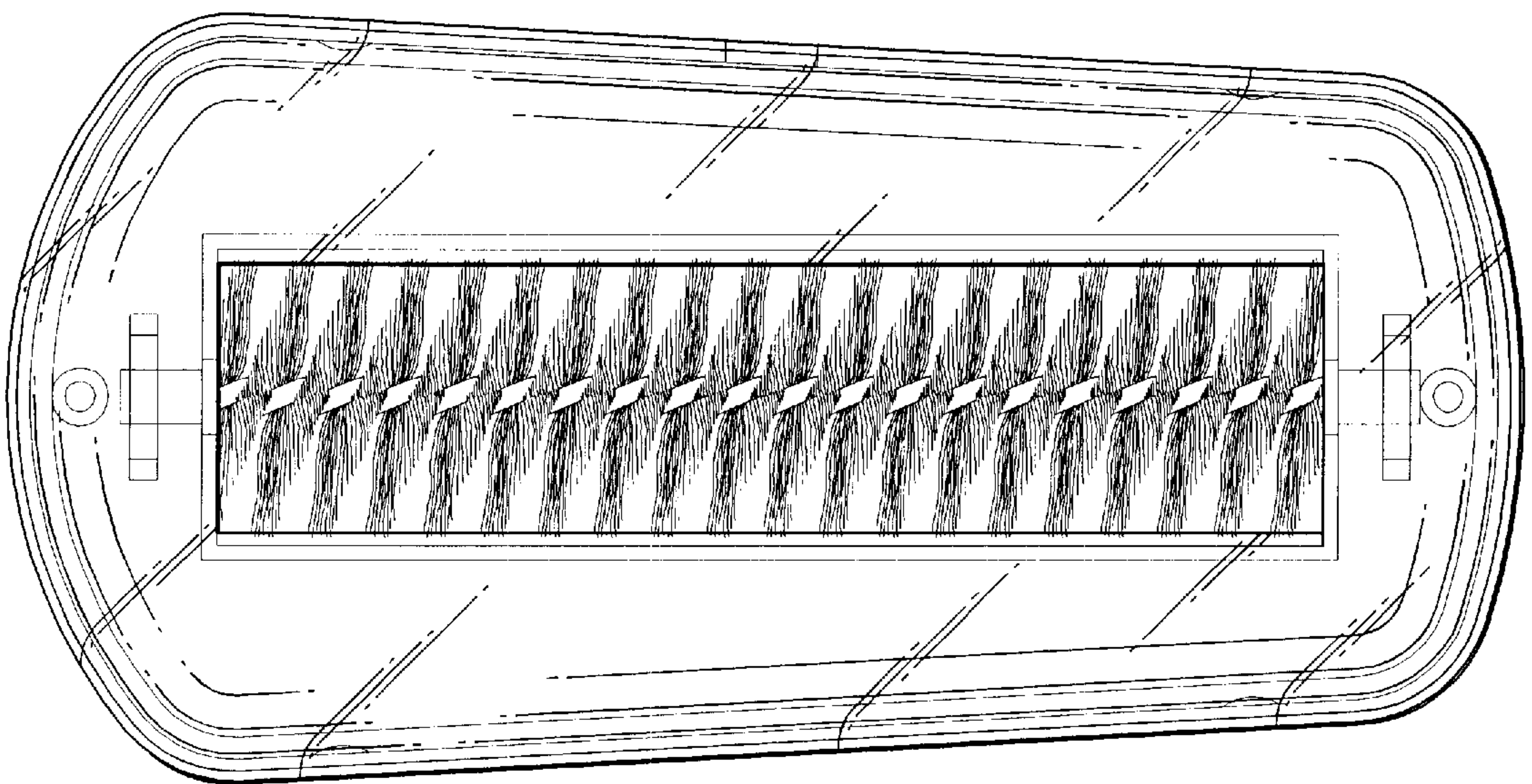


Fig. 7