



US00D486306S

(12) **United States Design Patent**
Wolf

(10) **Patent No.:** **US D486,306 S**

(45) **Date of Patent:** **** Feb. 10, 2004**

(54) **JEWELRY BOX**

(75) Inventor: **Simon Wolf**, Malibu, CA (US)

(73) Assignee: **Wolf Designs, Inc.**, Malibu, CA (US)

(**) Term: **14 Years**

(21) Appl. No.: **29/177,914**

(22) Filed: **Mar. 17, 2003**

(51) **LOC (7) Cl.** **03-01**

(52) **U.S. Cl.** **D3/294; D3/291; D3/903**

(58) **Field of Search** **D3/273, 276, 281,**
D3/282, 291, 294, 295, 901, 903; 206/6.1,
566, 581; 190/100, 109, 110

(56) **References Cited**

U.S. PATENT DOCUMENTS

5,692,605 A	*	12/1997	Lai	206/6.1
D417,783 S	*	12/1999	Wolf	D3/297
D418,298 S	*	1/2000	Wolf	D3/297
D451,671 S	*	12/2001	Wolf	D3/275
D454,687 S	*	3/2002	Wolf	D3/275
D455,550 S	*	4/2002	Wolf	D3/275
D455,902 S	*	4/2002	Wolf	D3/275
D457,315 S	*	5/2002	Wolf	D3/290

D459,881 S * 7/2002 Kim D3/273

D467,427 S * 12/2002 Wolf D3/289

D467,428 S * 12/2002 Wolf D3/291

* cited by examiner

Primary Examiner—Philip S. Hyder

(74) *Attorney, Agent, or Firm*—Cislo & Thomas LLP

(57) **CLAIM**

The ornamental design for a jewelry box, as shown and described herein.

DESCRIPTION

FIG. 1. Is a perspective view of my jewelry box shown in the open position with the dotted lines showing being for illustrative purposes only for which no claim is made;

FIG. 2. Is a front perspective view of my jewelry box as shown in the closed position;

FIG. 3. Is a top plan view thereof;

FIG. 4. Is a bottom plan view thereof;

FIG. 5. Is a front elevational view thereof;

FIG. 6. Is a rear elevational view thereof; and,

FIG. 7. Is a right side elevational view thereof, with the left side being a mirror image thereof.

1 Claim, 5 Drawing Sheets

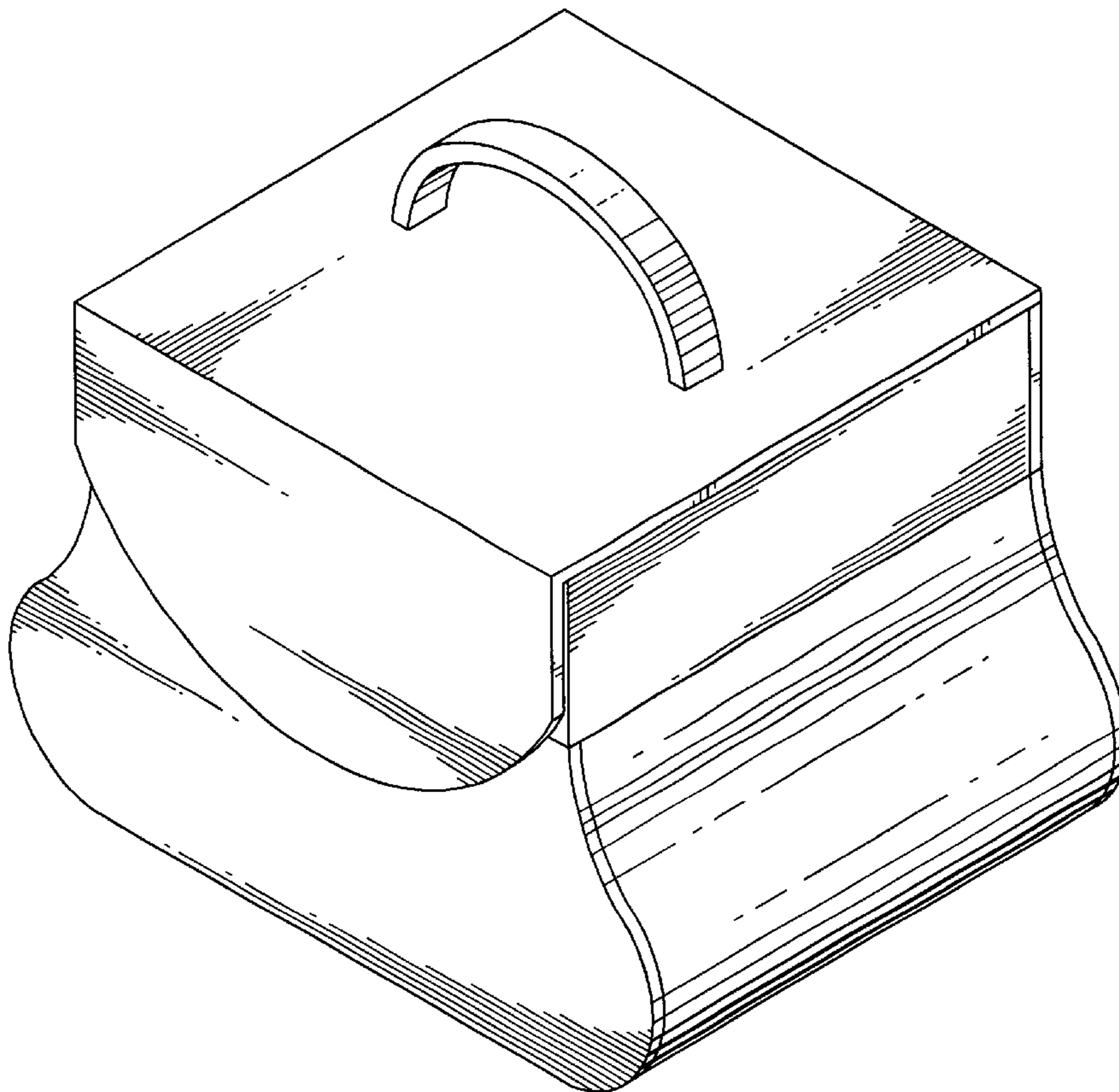
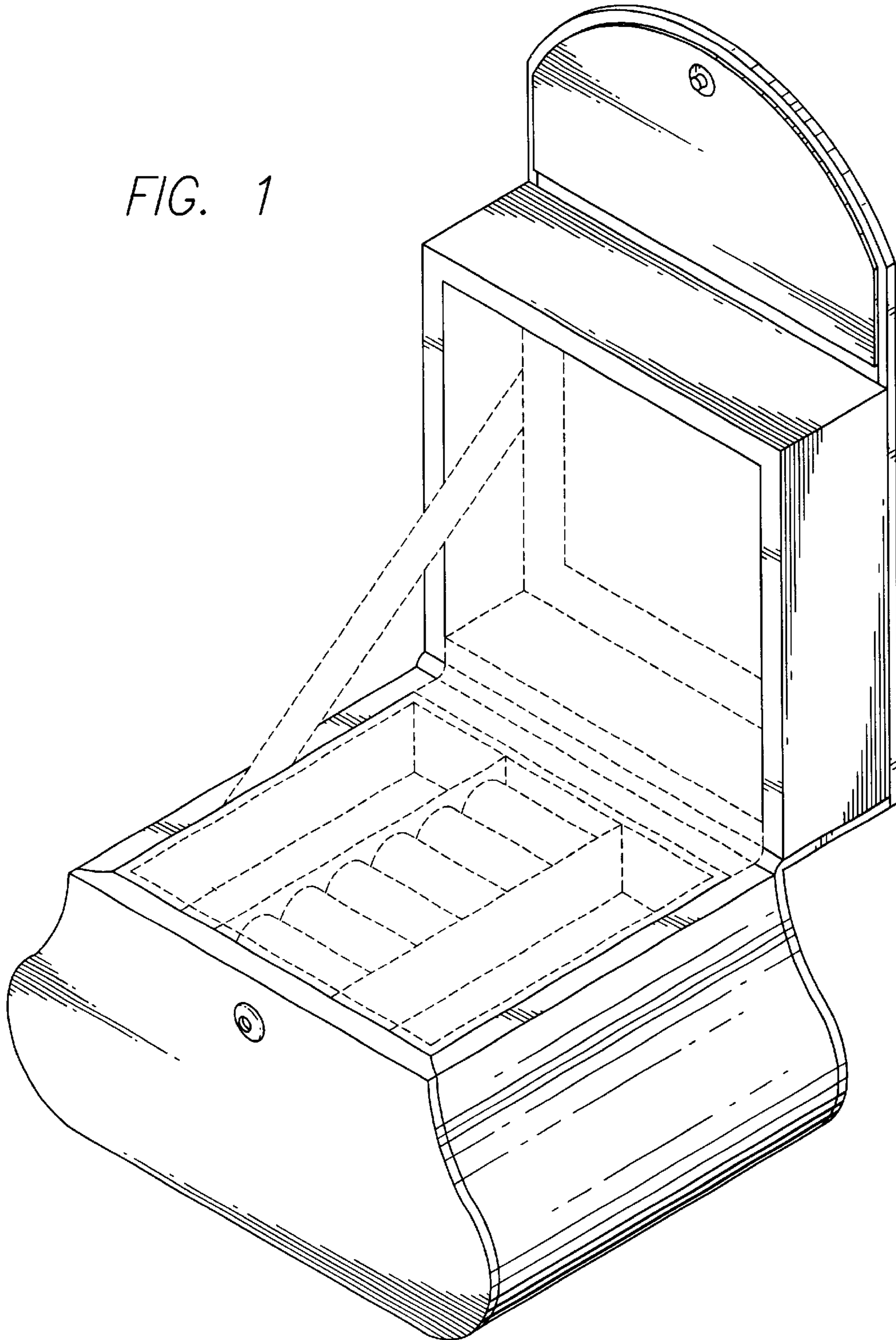


FIG. 1



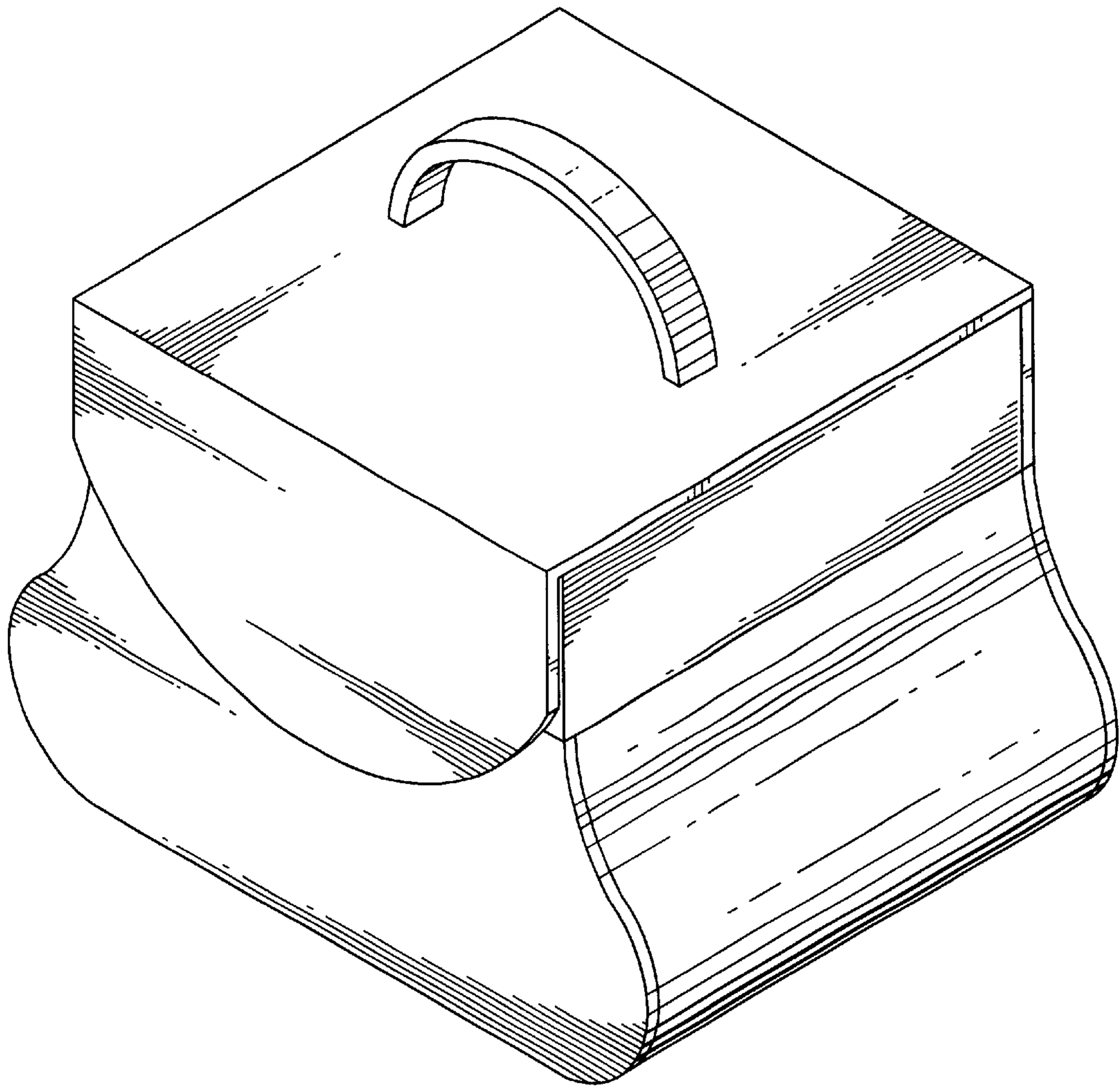


FIG. 2

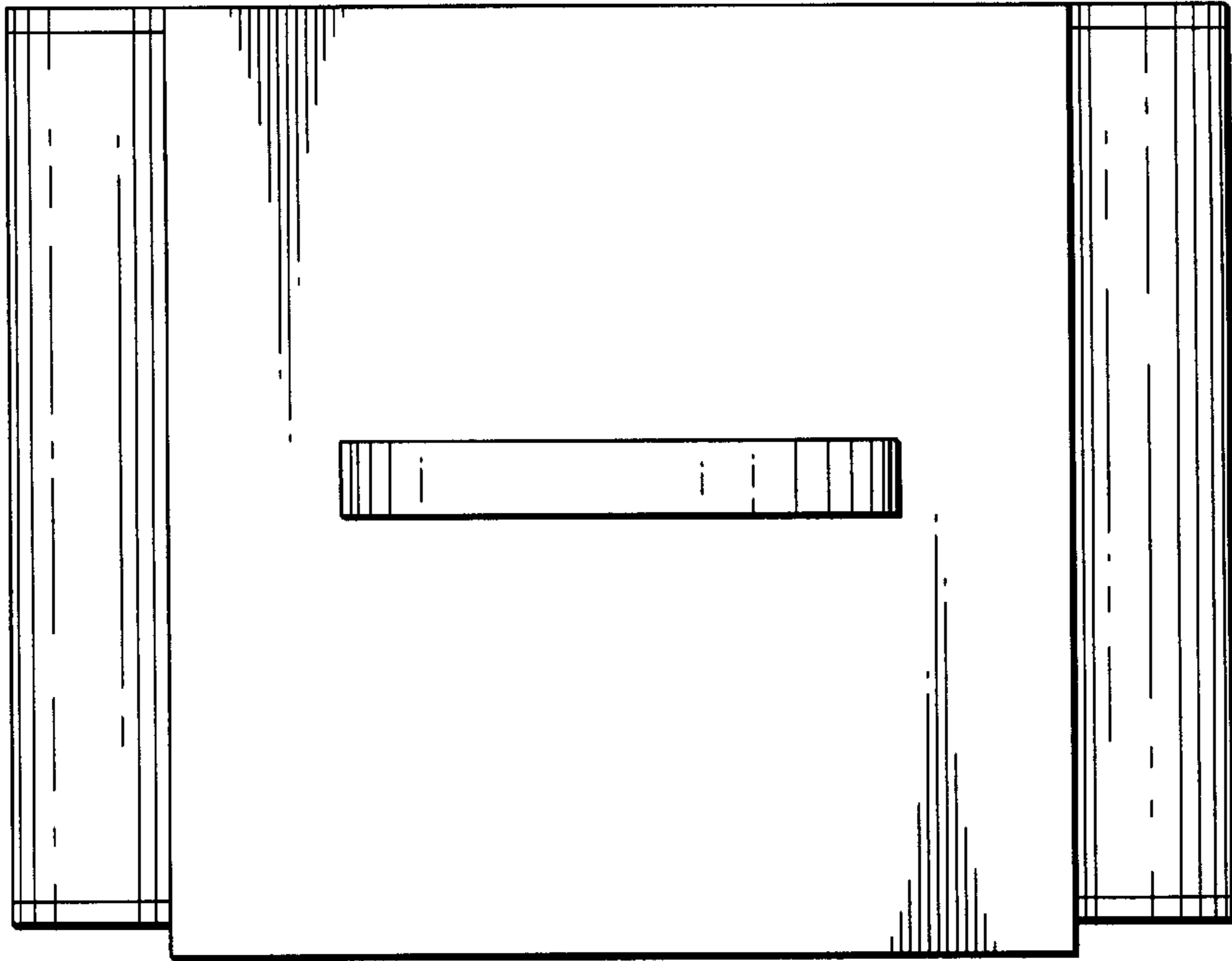


FIG. 3

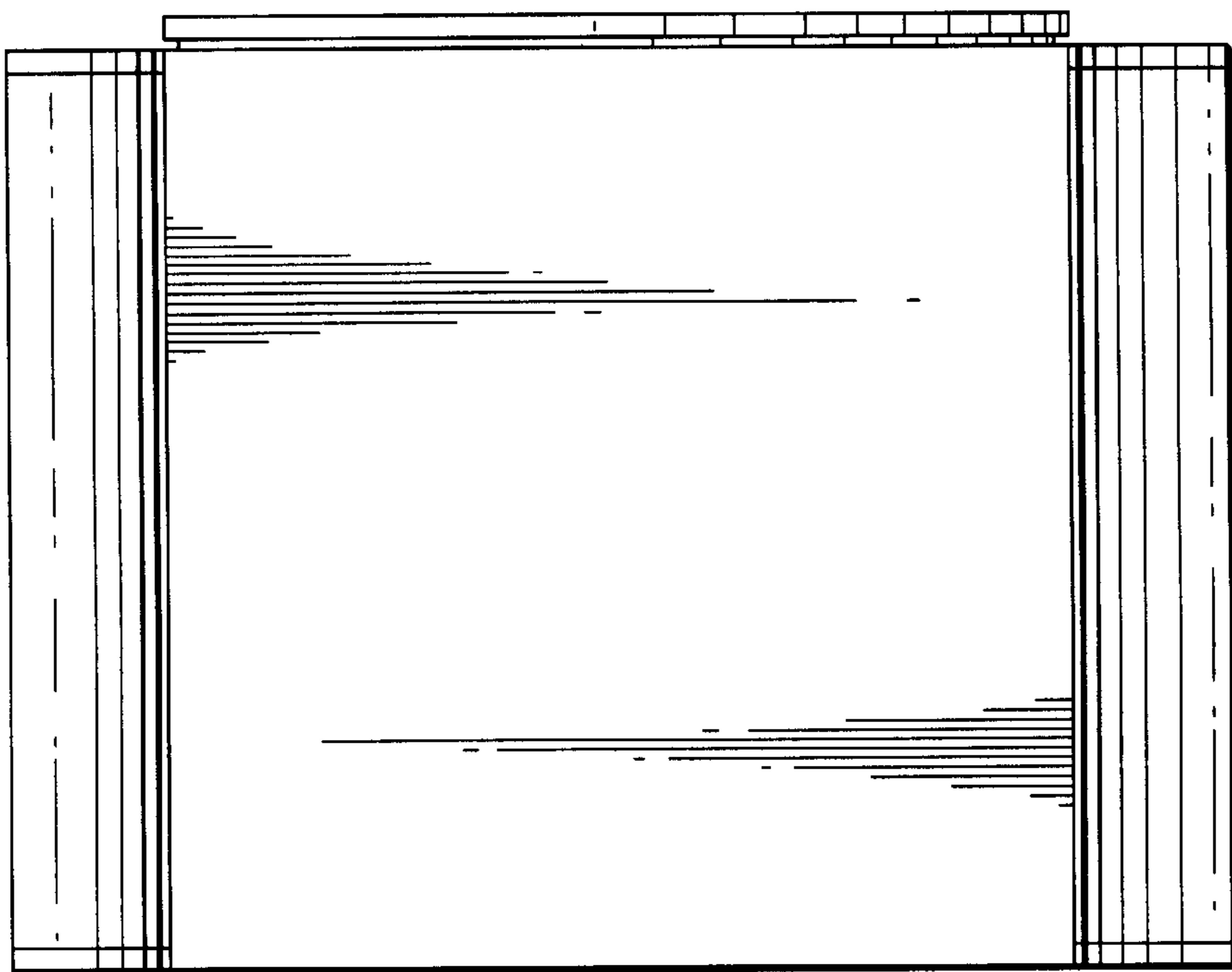


FIG. 4

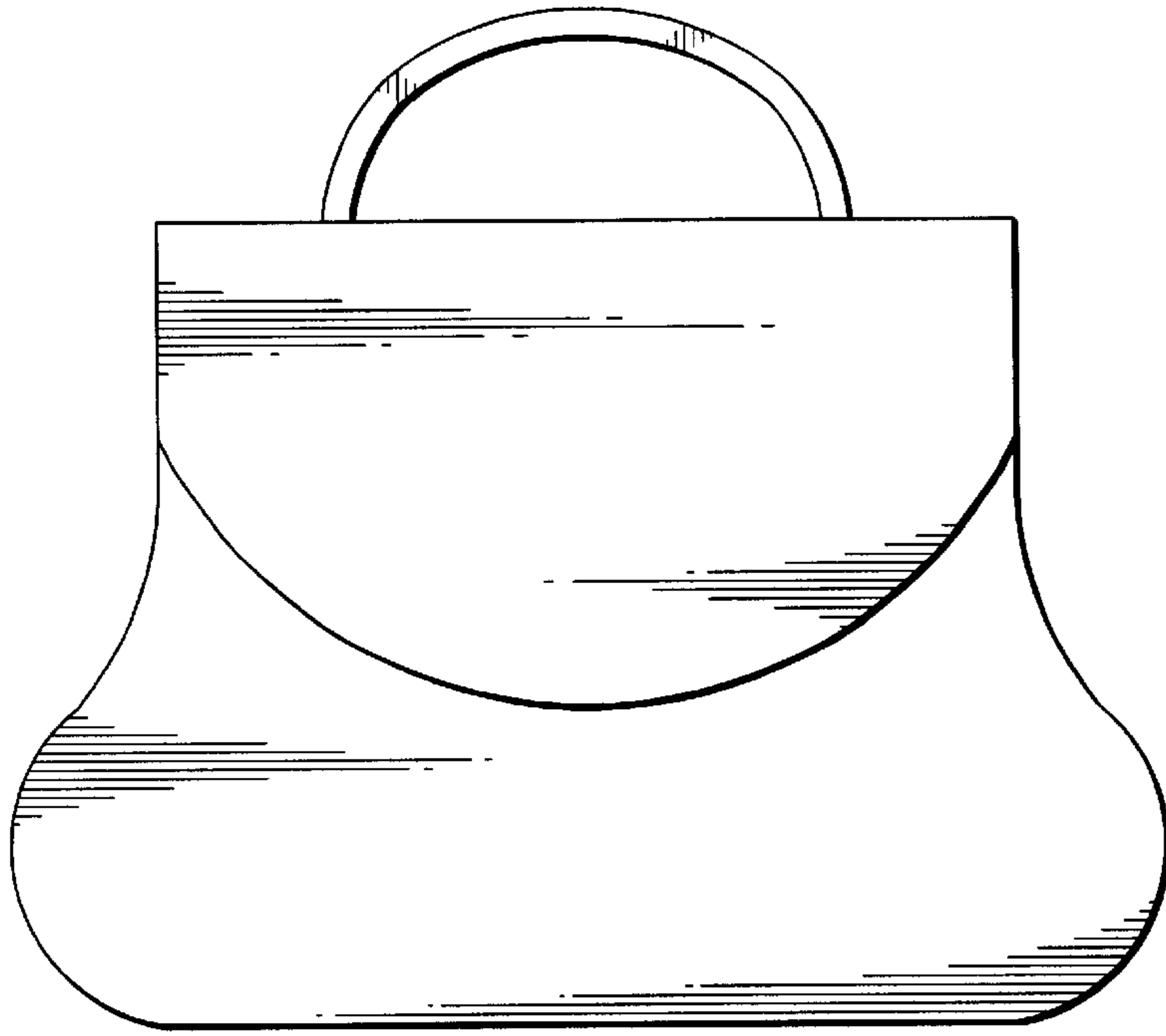


FIG. 5

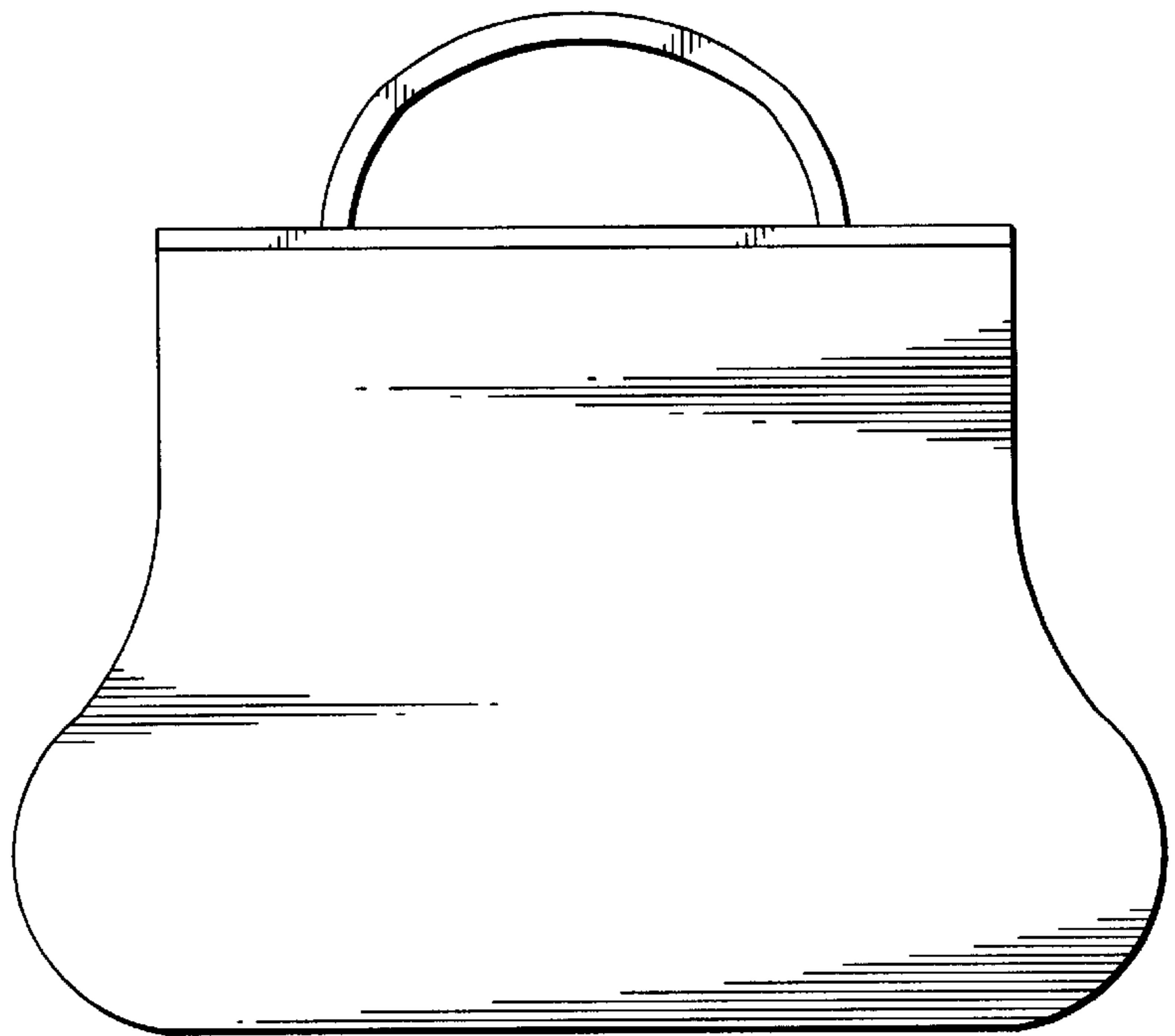


FIG. 6

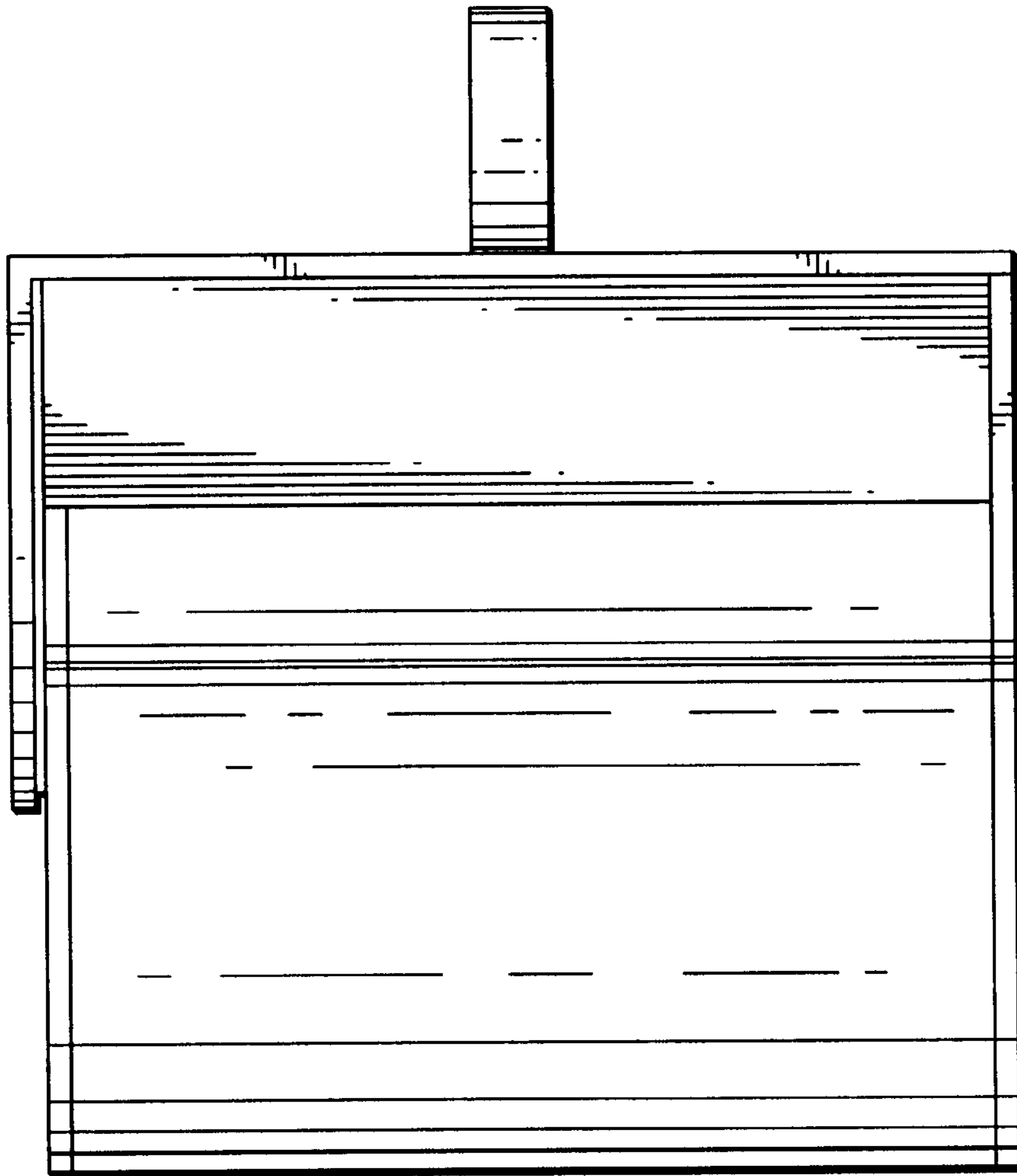


FIG. 7