



US00D486305S

(12) **United States Design Patent**
Leeb

(10) **Patent No.:** **US D486,305 S**

(45) **Date of Patent:** **** Feb. 10, 2004**

(54) **PORTABLE DISPLAY CASE SEGMENT**

(75) Inventor: **Joseph Leeb**, Upper Saddle River, NJ (US)

(73) Assignee: **Joseph Leeb Enterprises, Inc.**, Upper Saddle River, NJ (US)

(**) Term: **14 Years**

(21) Appl. No.: **29/170,079**

(22) Filed: **Oct. 30, 2002**

(51) **LOC (7) Cl.** **03-01**

(52) **U.S. Cl.** **D3/284; D3/285**

(58) **Field of Search** **D3/273, 276, 279, D3/283, 284, 285, 287, 289; 190/18 A, 100, 110, 109, 111, 112, 113**

(56) **References Cited**

U.S. PATENT DOCUMENTS

5,498,010 A	*	3/1996	Stube	280/37
D383,604 S	*	9/1997	King et al.	D3/279
D385,699 S	*	11/1997	Lin	D3/279
D395,361 S	*	6/1998	Zionts et al.	D3/279
6,076,641 A	*	6/2000	Kinzer et al.	190/18 A
D437,483 S	*	2/2001	Bisbal et al.	D3/276
D440,764 S	*	4/2001	Cheng	D3/279
D460,618 S	*	7/2002	Szyf	D3/279
D463,663 S	*	10/2002	Magana	D3/279
D465,085 S	*	11/2002	Chen	D3/279

OTHER PUBLICATIONS

Nissun Catalog, p. 3, Rolling Bags #RT 1201 Compressible Rolling Travel Bag.

* cited by examiner

Primary Examiner—Philip S. Hyder

(74) *Attorney, Agent, or Firm*—Amster, Rothstein & Ebenstein

(57) **CLAIM**

The ornamental design for a portable display case segment, as shown and described.

DESCRIPTION

FIG. 1 is an isometric view of a portable display case segment showing my new design in the open orientation; FIG. 2 is a front elevational view thereof in the closed orientation;

FIG. 3 is a rear elevational view thereof; FIG. 4 is a side elevational view thereof, the view from the opposite side being a mirror image thereof;

FIG. 5 is a top plan view thereof; and, FIG. 6 is a bottom plan view thereof.

The literature in phantom line in FIG. 1 in the magazine rack within the portable display case illustrates an environment of use and is not a part of the claimed design.

The portable display case portions in phantom line illustrate environment and are not a part of the claimed design.

1 Claim, 6 Drawing Sheets

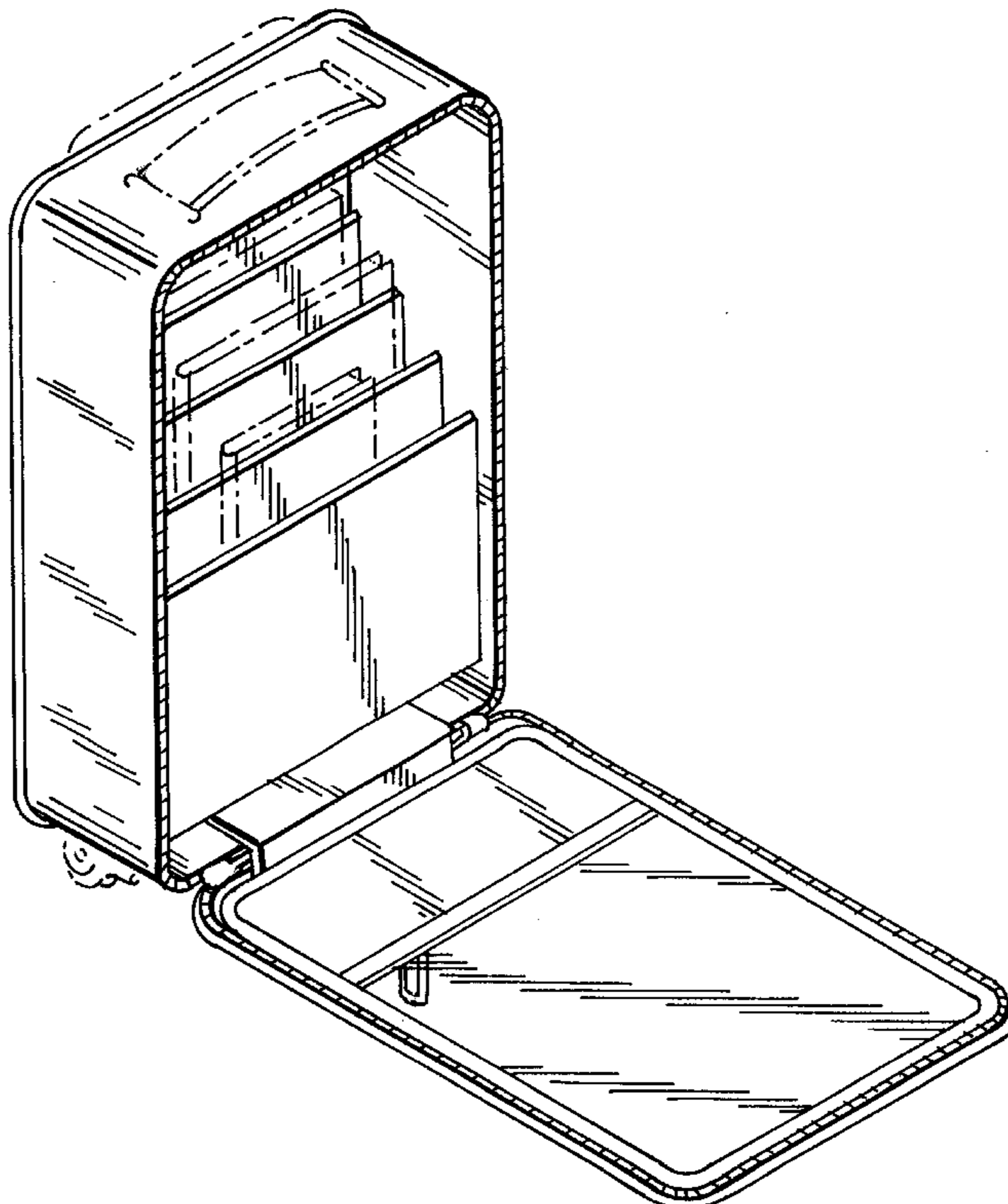


FIG. 1

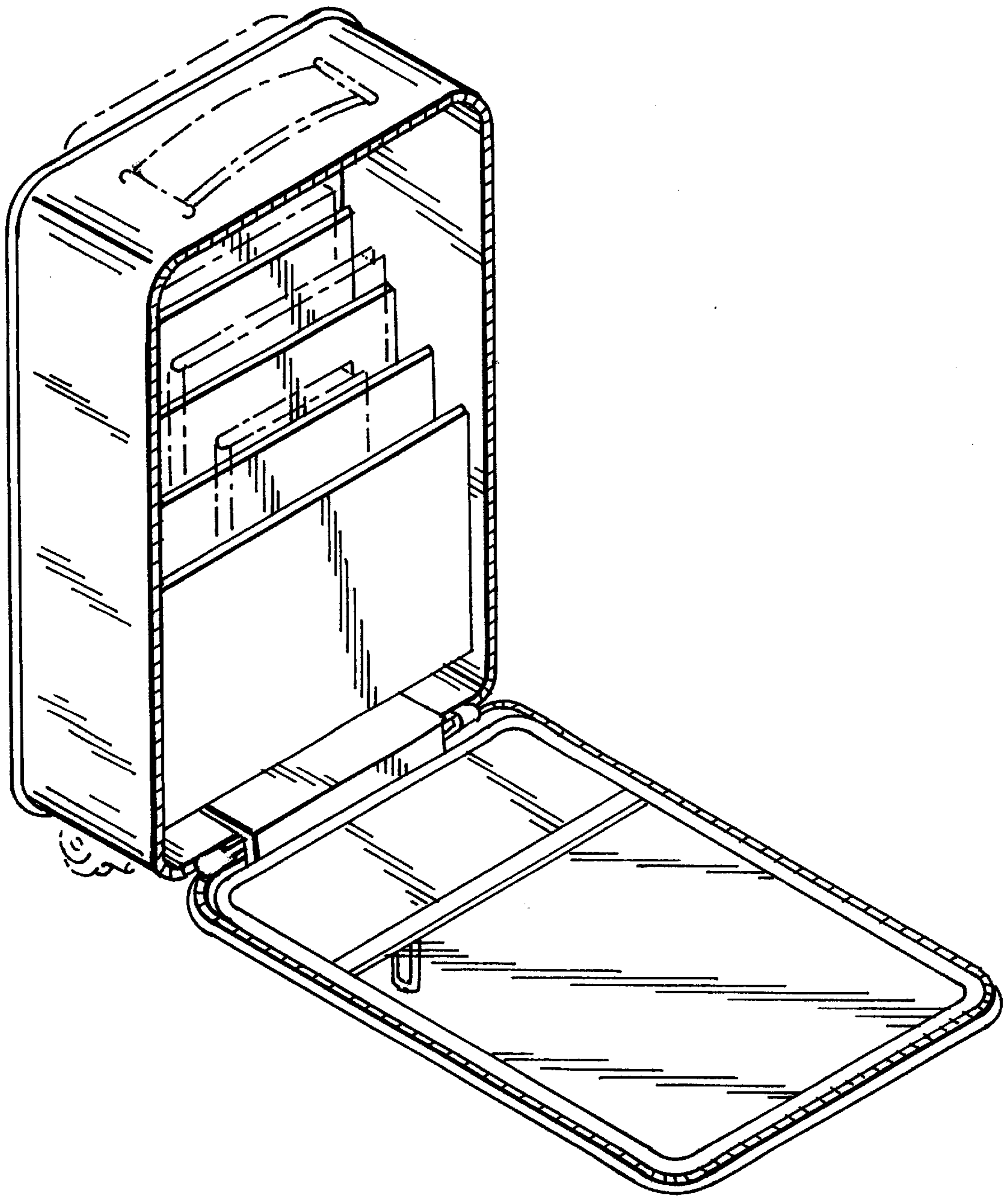


FIG. 2

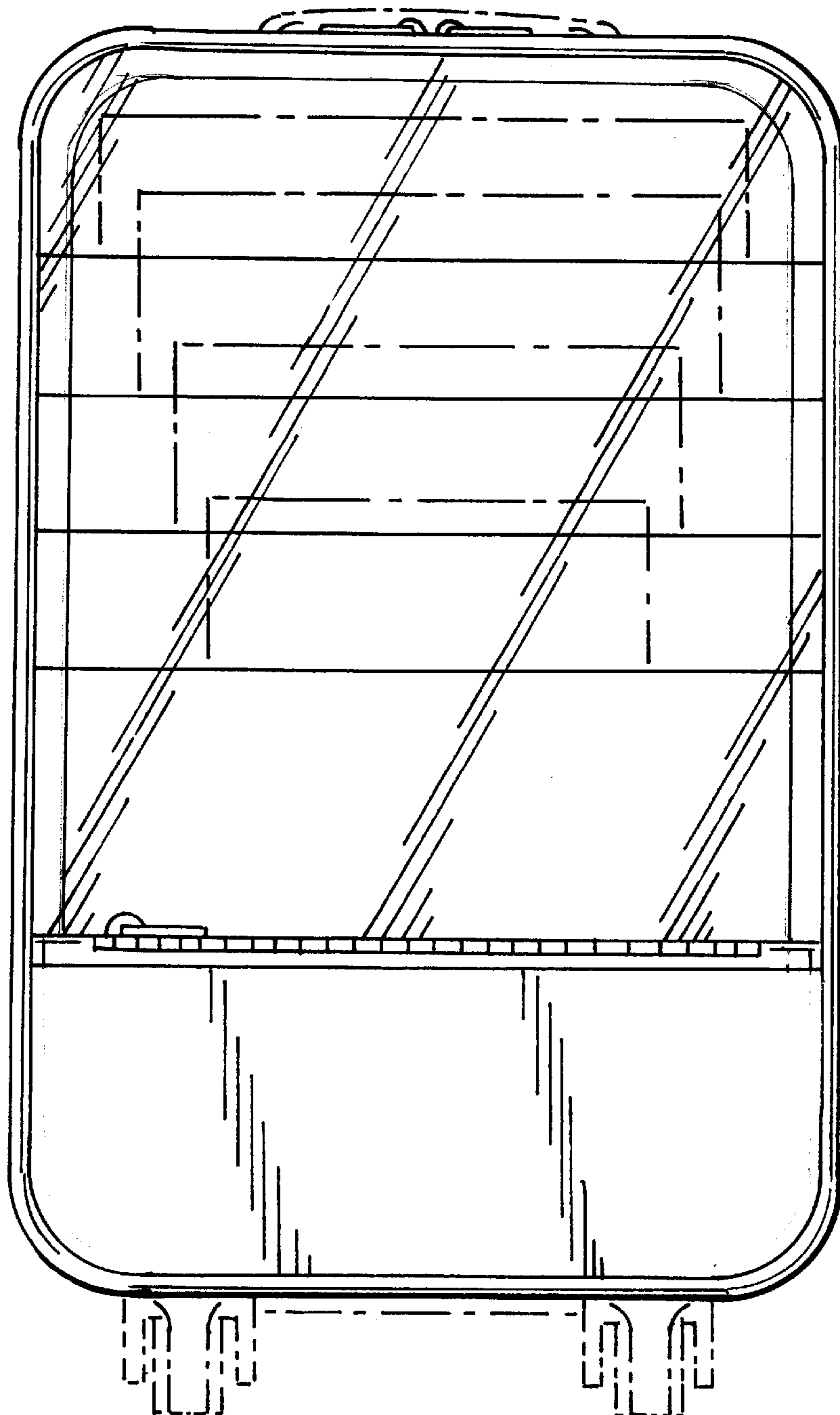


FIG. 3

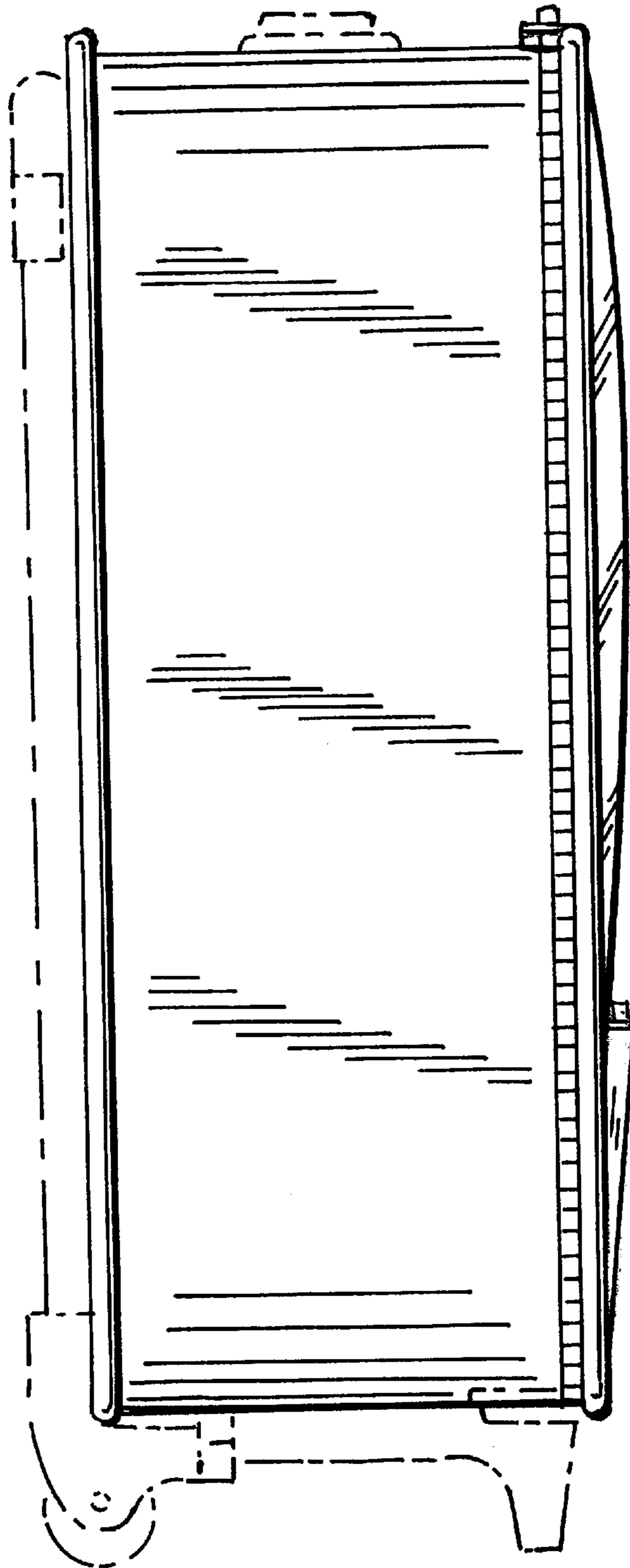
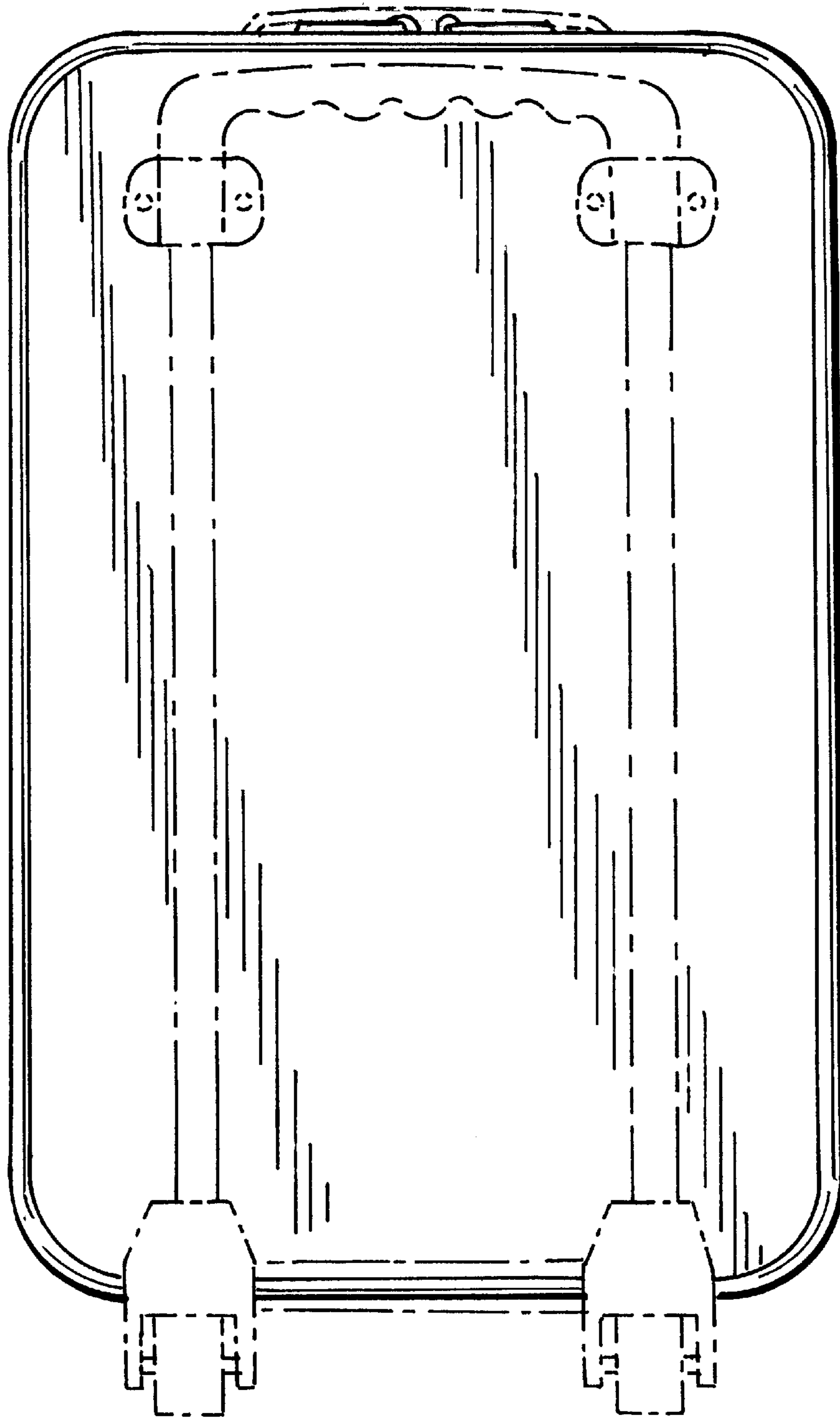


FIG. 4



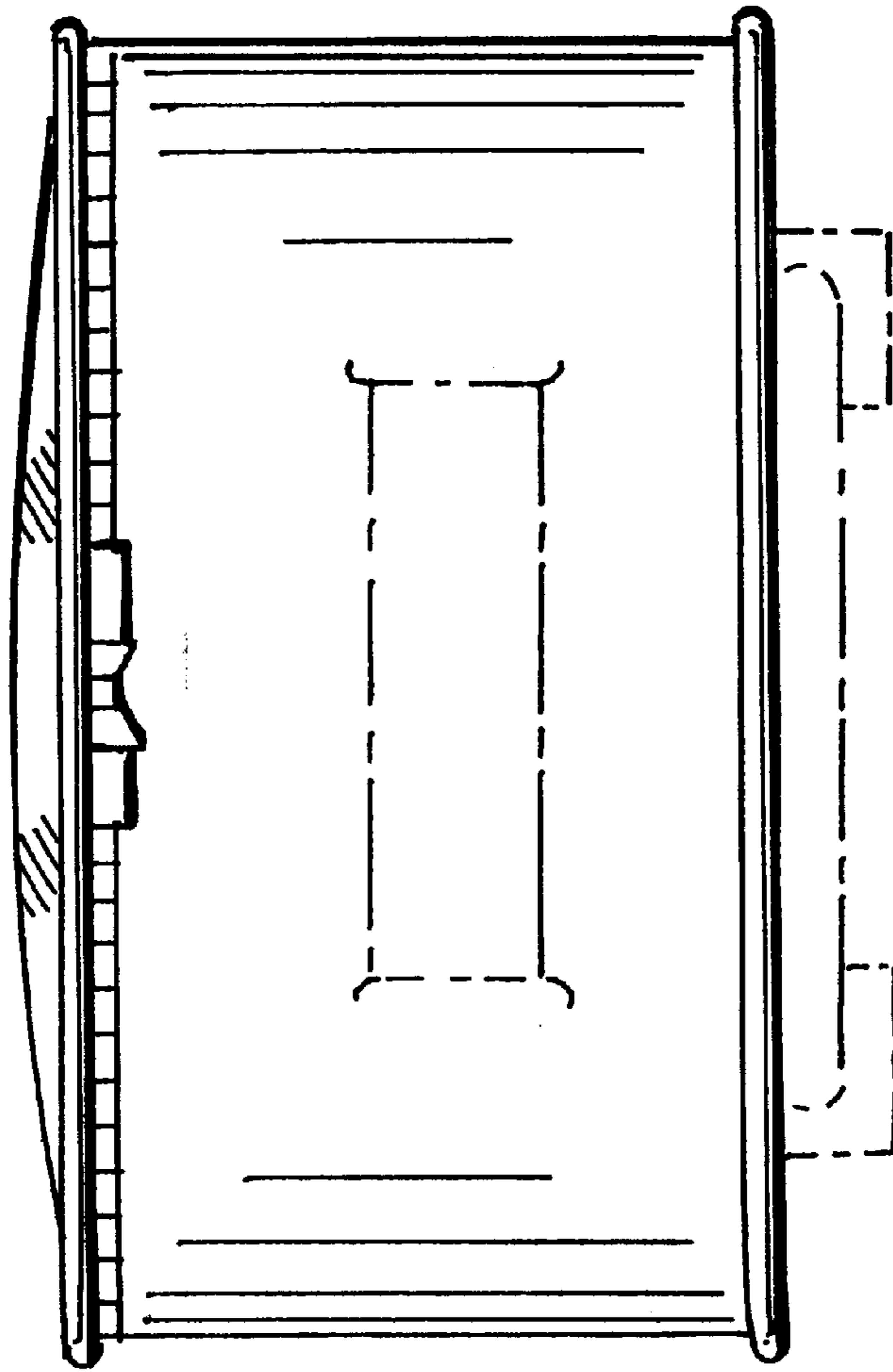


FIG. 5

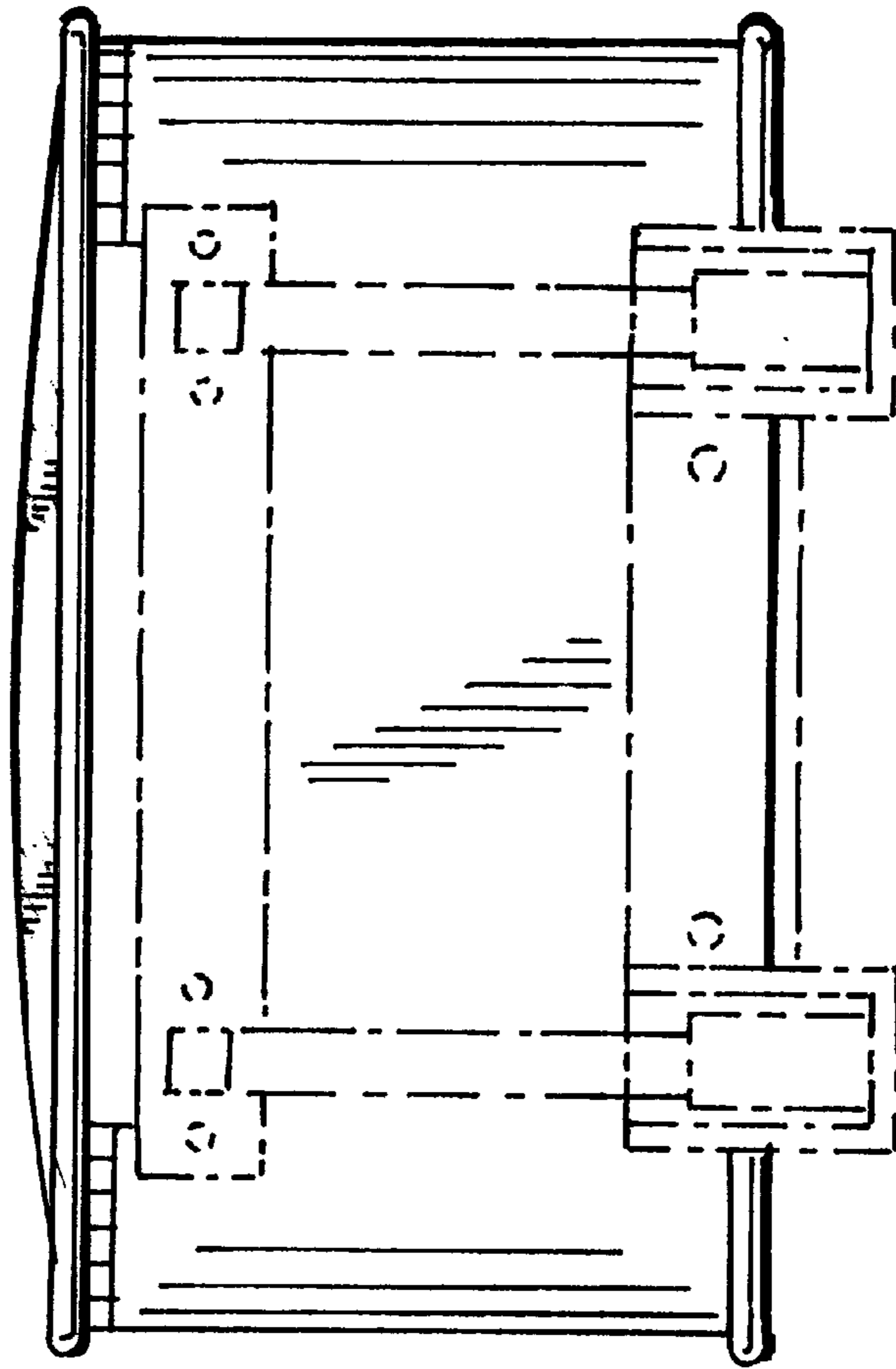


FIG. 6