



US00D486304S

(12) **United States Design Patent**  
**Brown**

(10) **Patent No.:** **US D486,304 S**

(45) **Date of Patent:** **\*\* Feb. 10, 2004**

(54) **CELL PHONE CARRIER**

6,454,146 B2 \* 9/2002 Alis ..... 224/250  
6,478,205 B1 \* 11/2002 Fujihashi ..... 224/675

(76) Inventor: **Worth Brown**, 31 E. Division St.,  
Chicago, IL (US) 60610

\* cited by examiner

(\*\*) Term: **14 Years**

*Primary Examiner*—Catherine R. Oliver  
(74) *Attorney, Agent, or Firm*—Bell, Boyd & Lloyd LLC

(21) Appl. No.: **29/171,165**

(57) **CLAIM**

(22) Filed: **Nov. 18, 2002**

The ornamental design for the cell phone carrier, as shown and described.

(51) **LOC (7) Cl.** ..... **03-01**

(52) **U.S. Cl.** ..... **D3/218**

(58) **Field of Search** ..... D3/218, 215, 219;  
224/240, 676, 677, 680, 681, 674, 250,  
675; 206/320

**DESCRIPTION**

(56) **References Cited**

**U.S. PATENT DOCUMENTS**

5,358,159	A	10/1994	Lundie, Jr.	.....	224/624
D370,776	S	6/1996	Frey	.....	D3/218
5,533,655	A	7/1996	Duque	.....	224/602
5,586,704	A	12/1996	Alexander et al.	.....	224/605
D377,117	S	* 1/1997	Klassen	.....	D3/218
5,653,336	A	8/1997	Buonaiuto et al.	.....	206/320
5,653,367	A	8/1997	Abramson	.....	224/581
D396,553	S	8/1998	Mecham et al.	.....	D3/218
D447,864	S	9/2001	Casparian	.....	D3/218
6,390,346	B1	5/2002	Thomas	.....	224/605

FIG. 1 illustrates a top, front, right-side perspective view of a cell phone carrier of my new design in an open position. FIG. 2 illustrates a bottom, rear, left-side perspective view thereof. FIG. 3 illustrates a front elevation view thereof. FIG. 4 illustrates a rear elevation view thereof. FIG. 5 illustrates a right-side elevation view thereof. FIG. 6 illustrates a left-side elevation view thereof. FIG. 7 illustrates a top plan view thereof; and, FIG. 8 illustrates a bottom plan view thereof. That portion of the carrier shown in phantom in FIGS. 1 to 4, 7 and 8 is not part of the design sought to be patented and is provided for environmental purposes only.

**1 Claim, 5 Drawing Sheets**

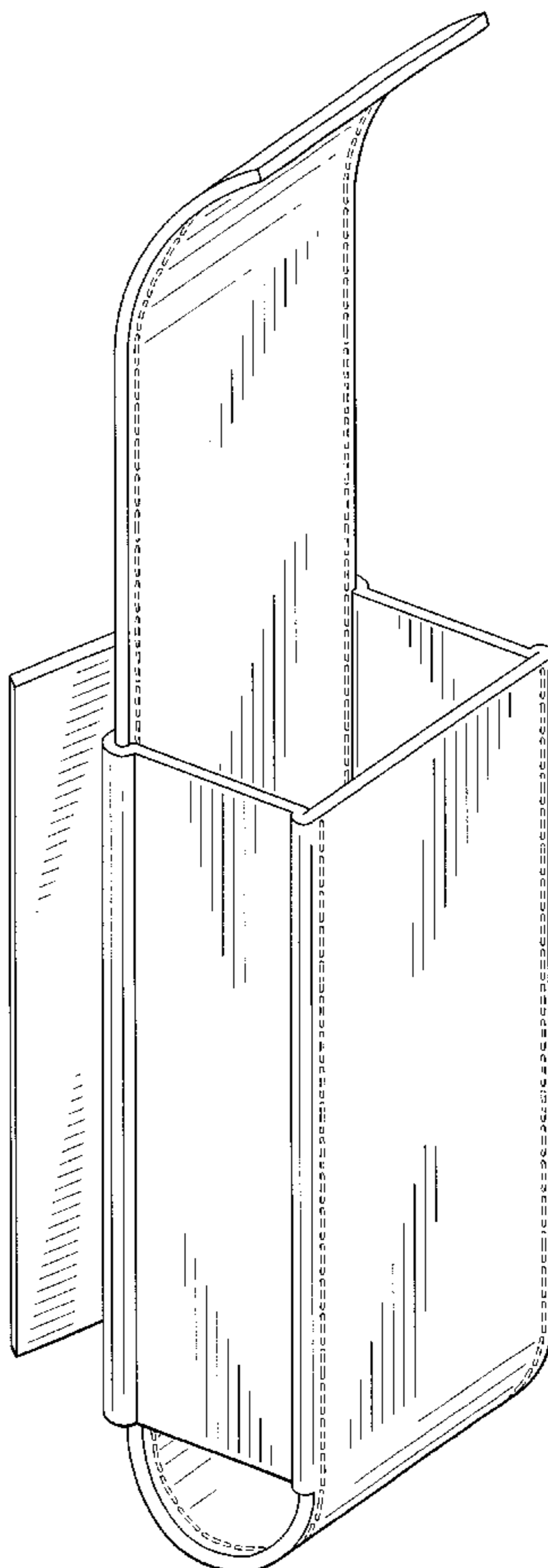


FIG. 1

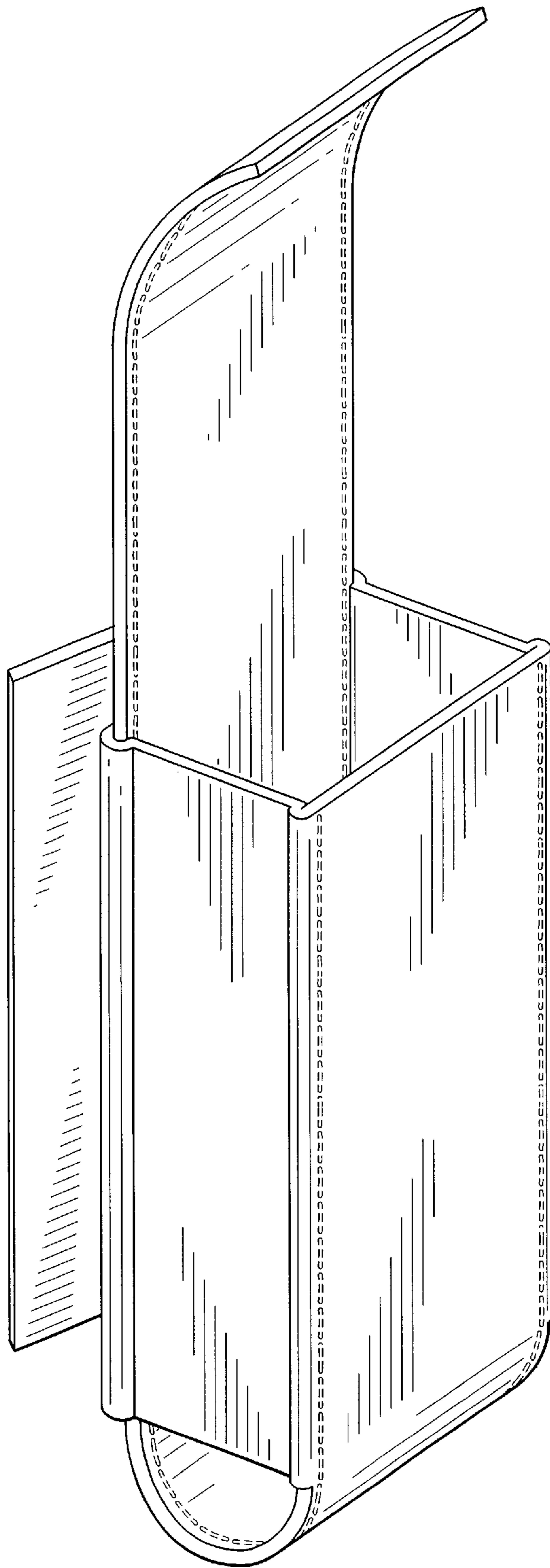


FIG. 2

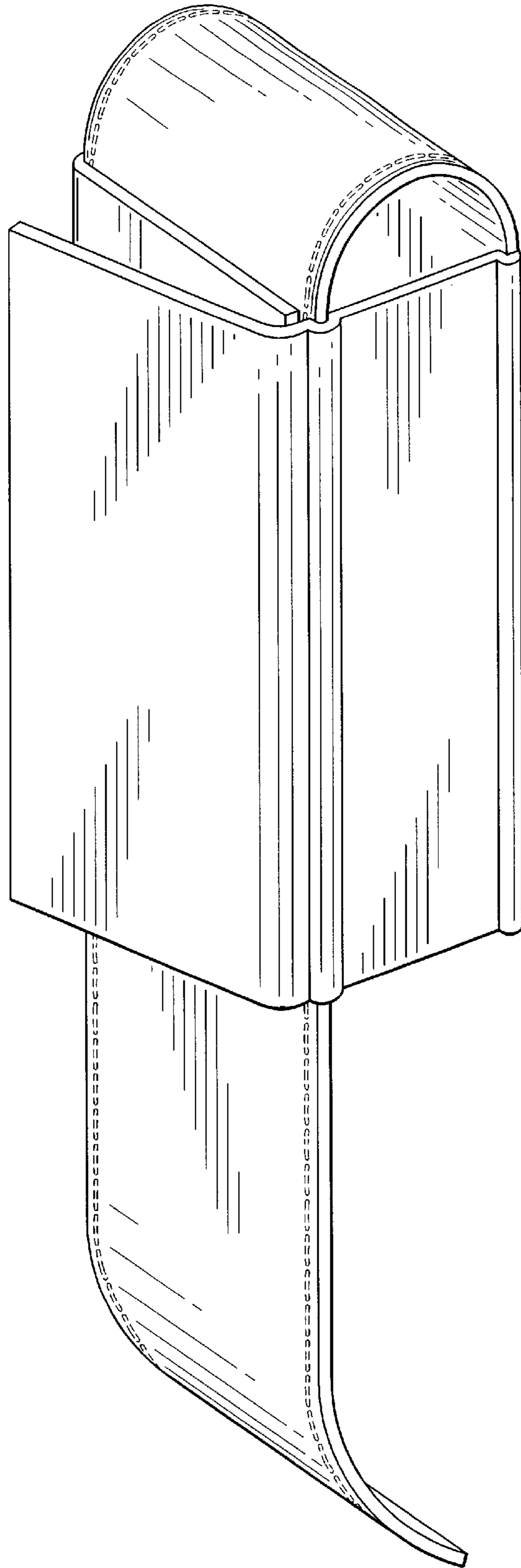


FIG. 3

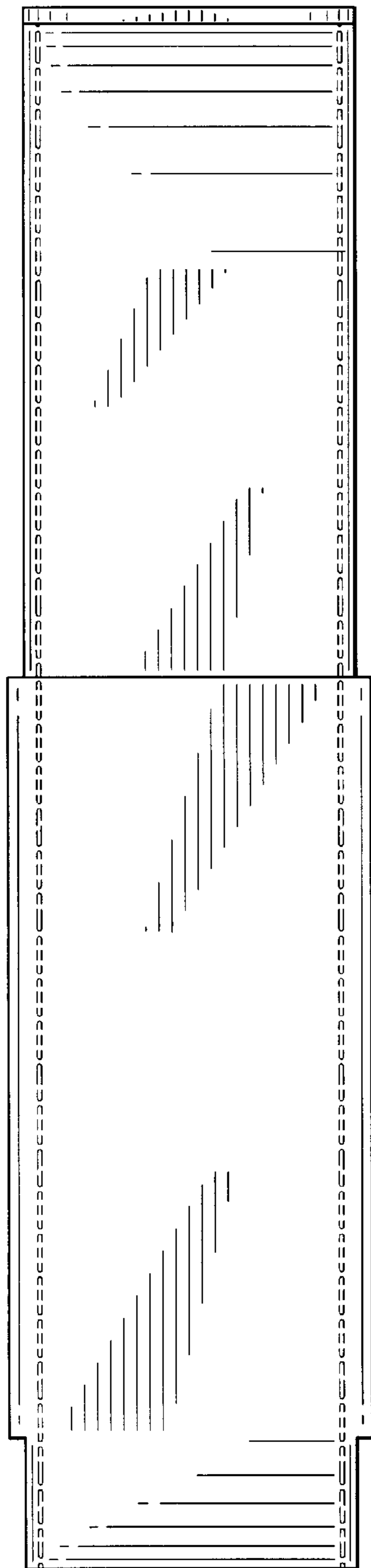


FIG. 4

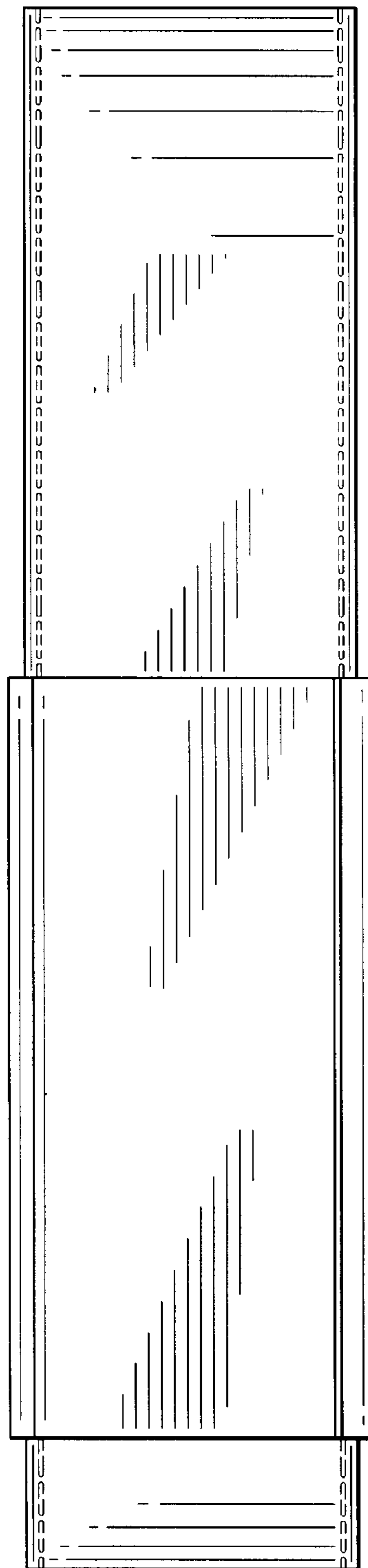


FIG. 5

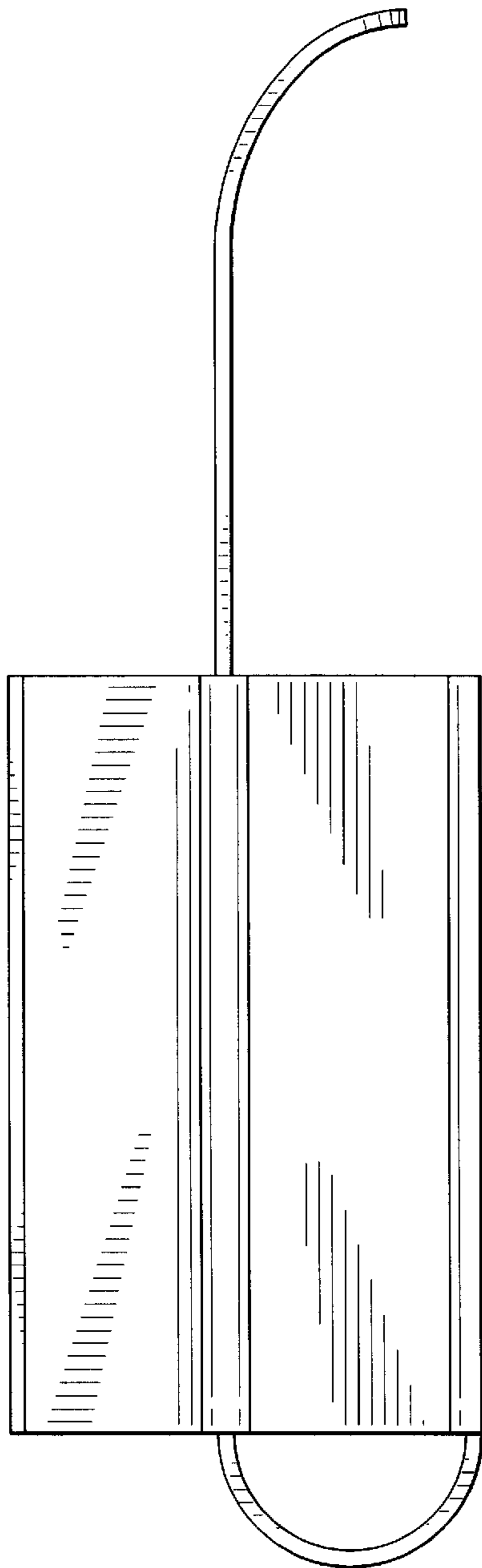


FIG. 6

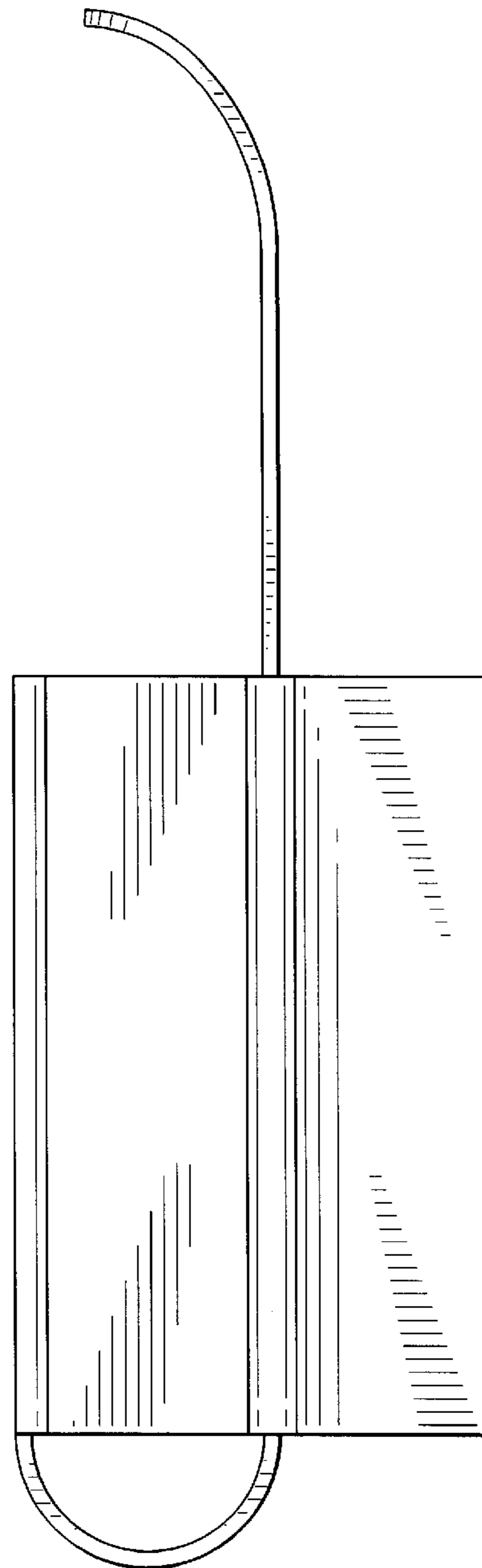


FIG. 7

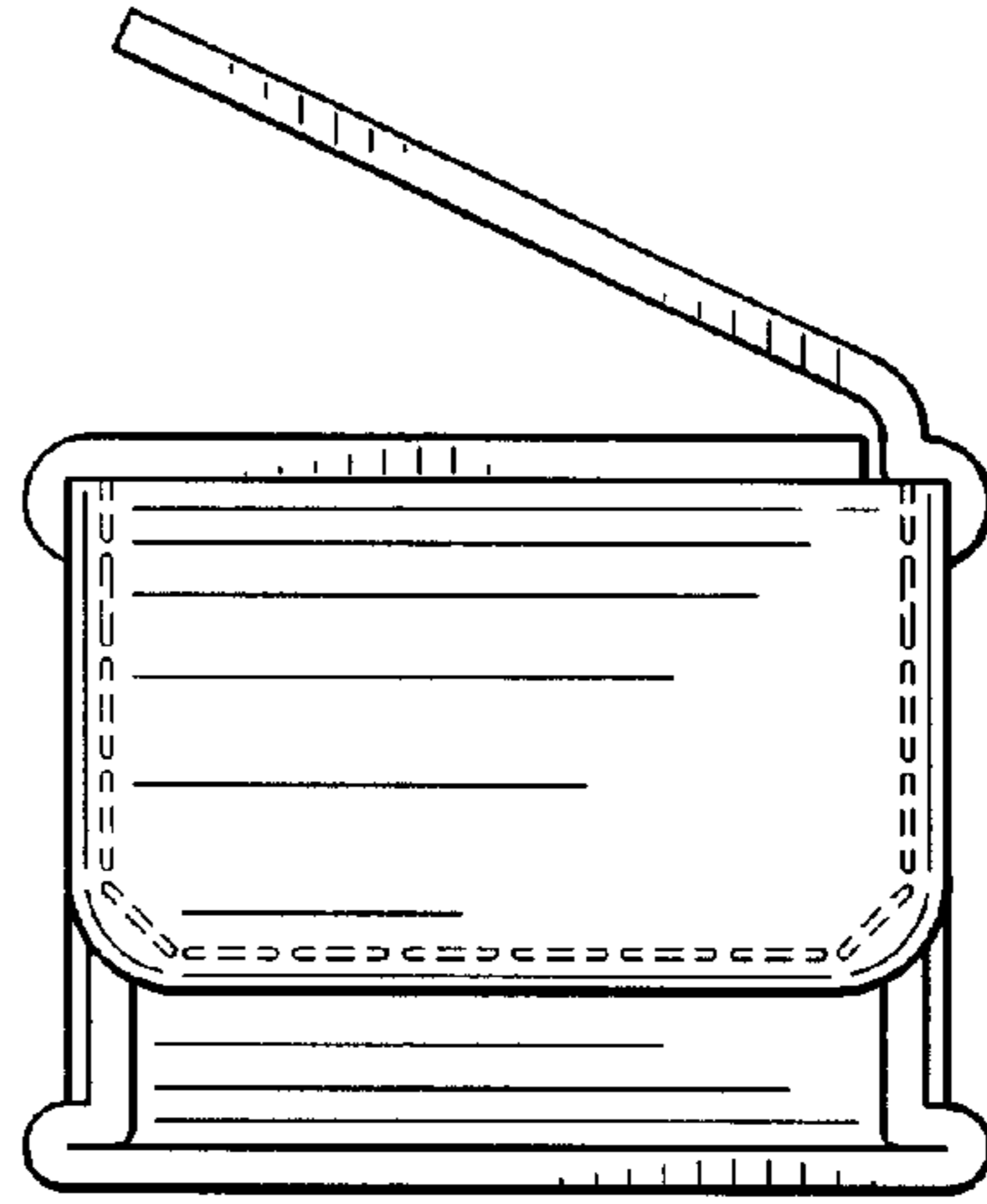


FIG. 8

