



US00D486303S

(12) **United States Design Patent**
Noell et al.

(10) **Patent No.:** **US D486,303 S**

(45) **Date of Patent:** **** Feb. 10, 2004**

(54) **BUTT PACK**

D283,465 S * 4/1986 Allen D3/287
D325,469 S * 4/1992 Kim D3/900
6,422,439 B1 * 7/2002 Kelliher et al. 224/148.2

(75) Inventors: **Michael M. Noell**, Virginia Beach, VA
(US); **Anne Gresock**, Virginia Beach,
VA (US)

* cited by examiner

(73) Assignee: **Blackhawk Industries, Inc.**, Norfolk,
VA (US)

Primary Examiner—Catherine R. Oliver
(74) *Attorney, Agent, or Firm*—Nixon & Vanderhye P.C.

(**) Term: **14 Years**

(57) **CLAIM**

(21) Appl. No.: **29/175,749**

The ornamental design for a butt pack, as shown and described.

(22) Filed: **Feb. 11, 2003**

DESCRIPTION

(65) **Prior Publication Data**

FIG. 1 is a rear view of the buttpack in accordance with the present invention;

(65) **LOC (7) Cl.** **03-01**

FIG. 2 is a left side view of the present invention;

(52) **U.S. Cl.** **D3/215**

FIG. 3 is a top view of the present invention; and,

(58) **Field of Search** D3/215, 224, 226,
D3/900, 902, 287, 273, 275, 216, 217;
224/148.2, 583, 582, 627; 190/110, 103-105,
113

FIG. 4 is a bottom view of the present invention.

Top stitching is shown on the handle and mid section of the pack.

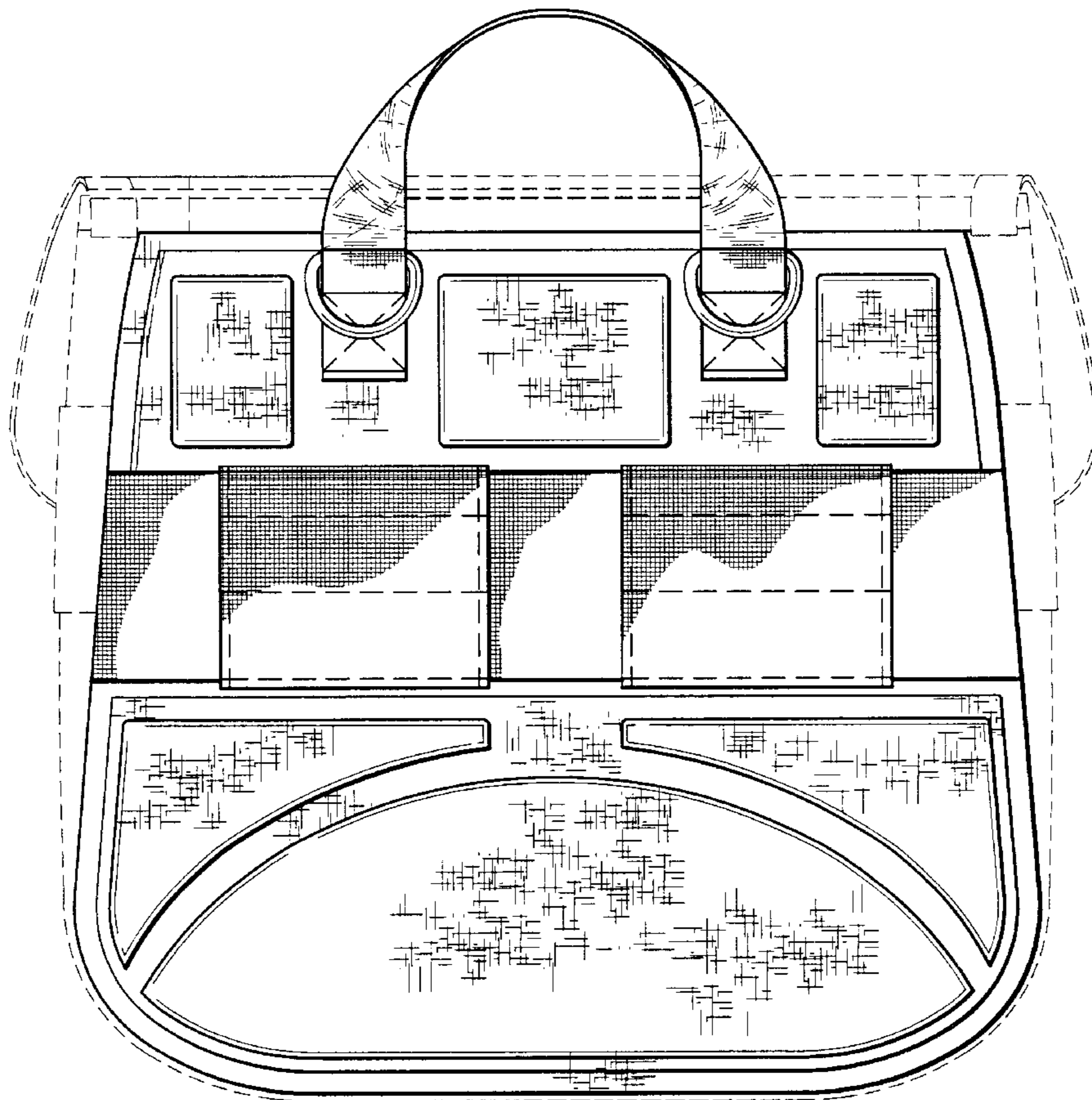
(56) **References Cited**

The broken line showing of environment in the drawings is for illustrative purposes only and forms no part of the claimed design.

U.S. PATENT DOCUMENTS

4,153,146 A * 5/1979 Patton et al. 190/103

1 Claim, 3 Drawing Sheets



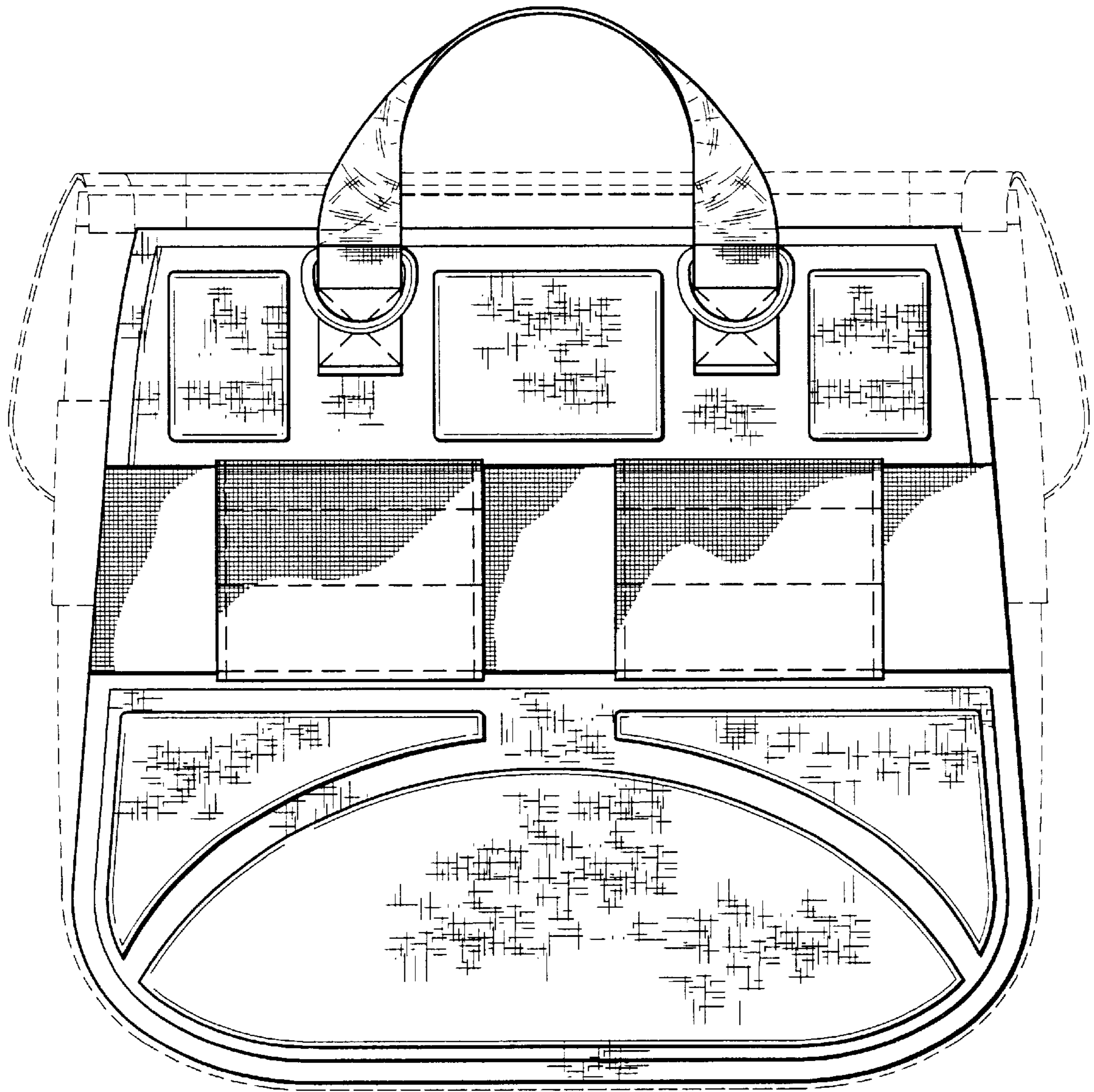


Fig.1

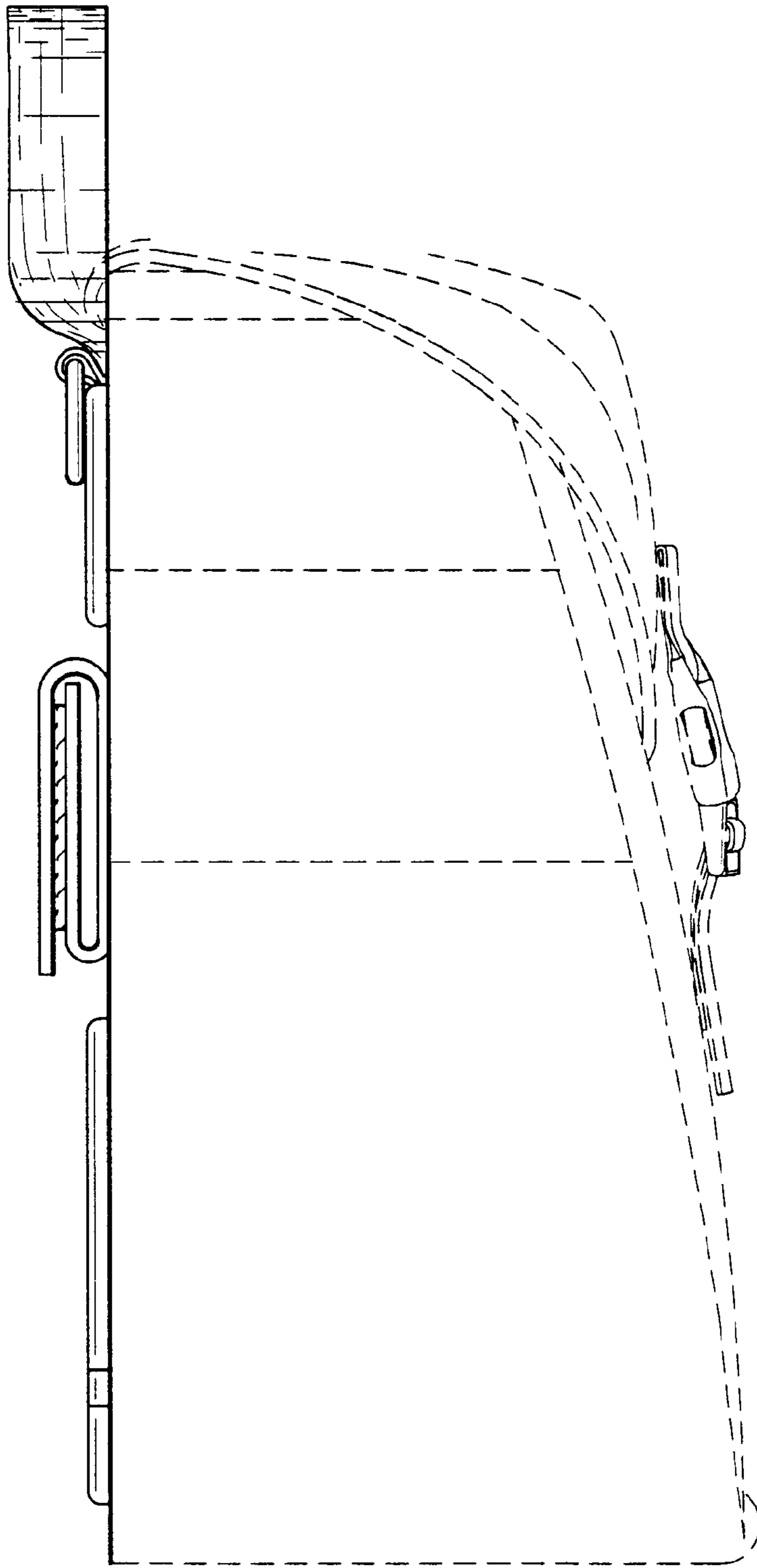


Fig.2

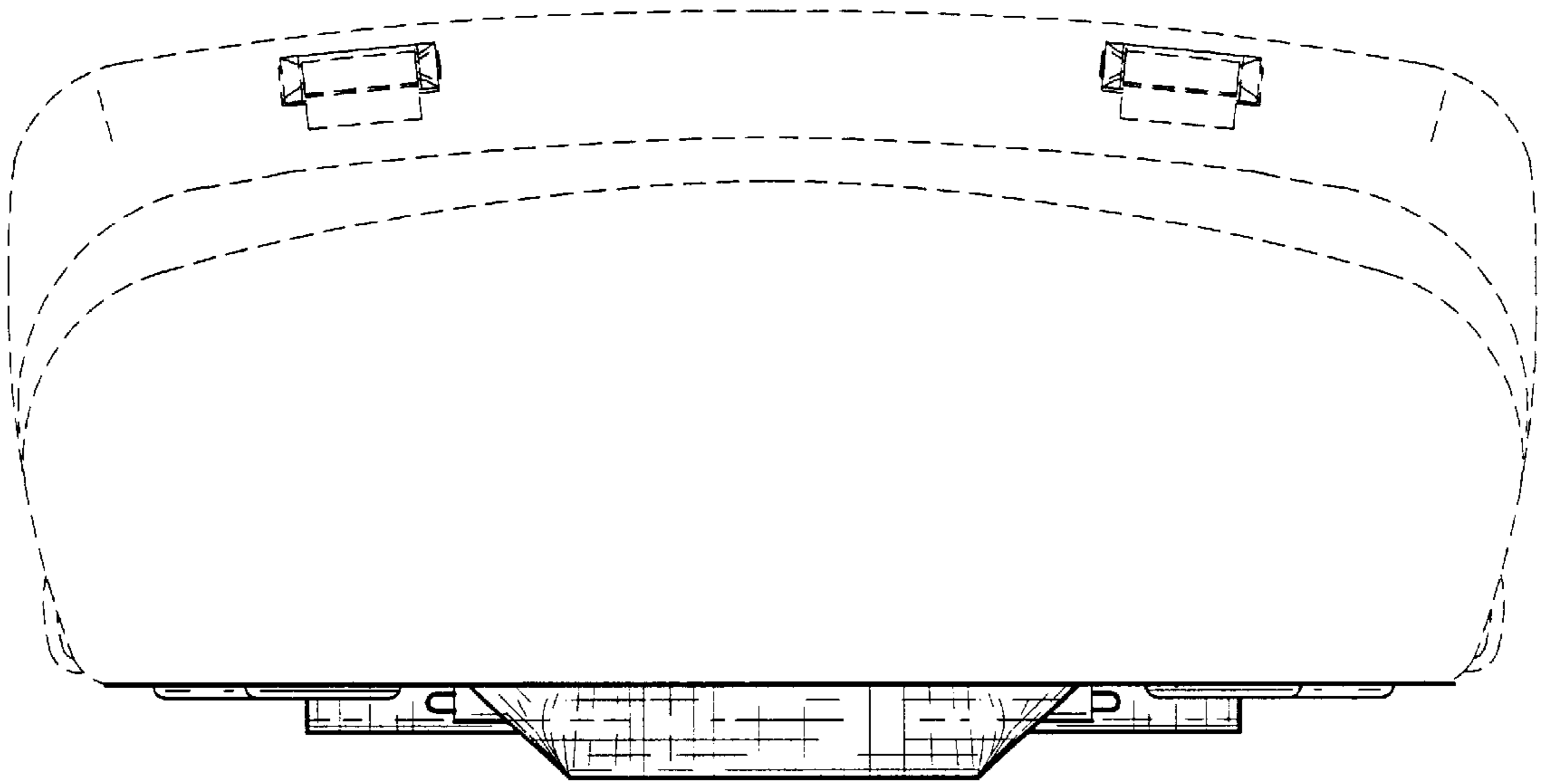


Fig.3

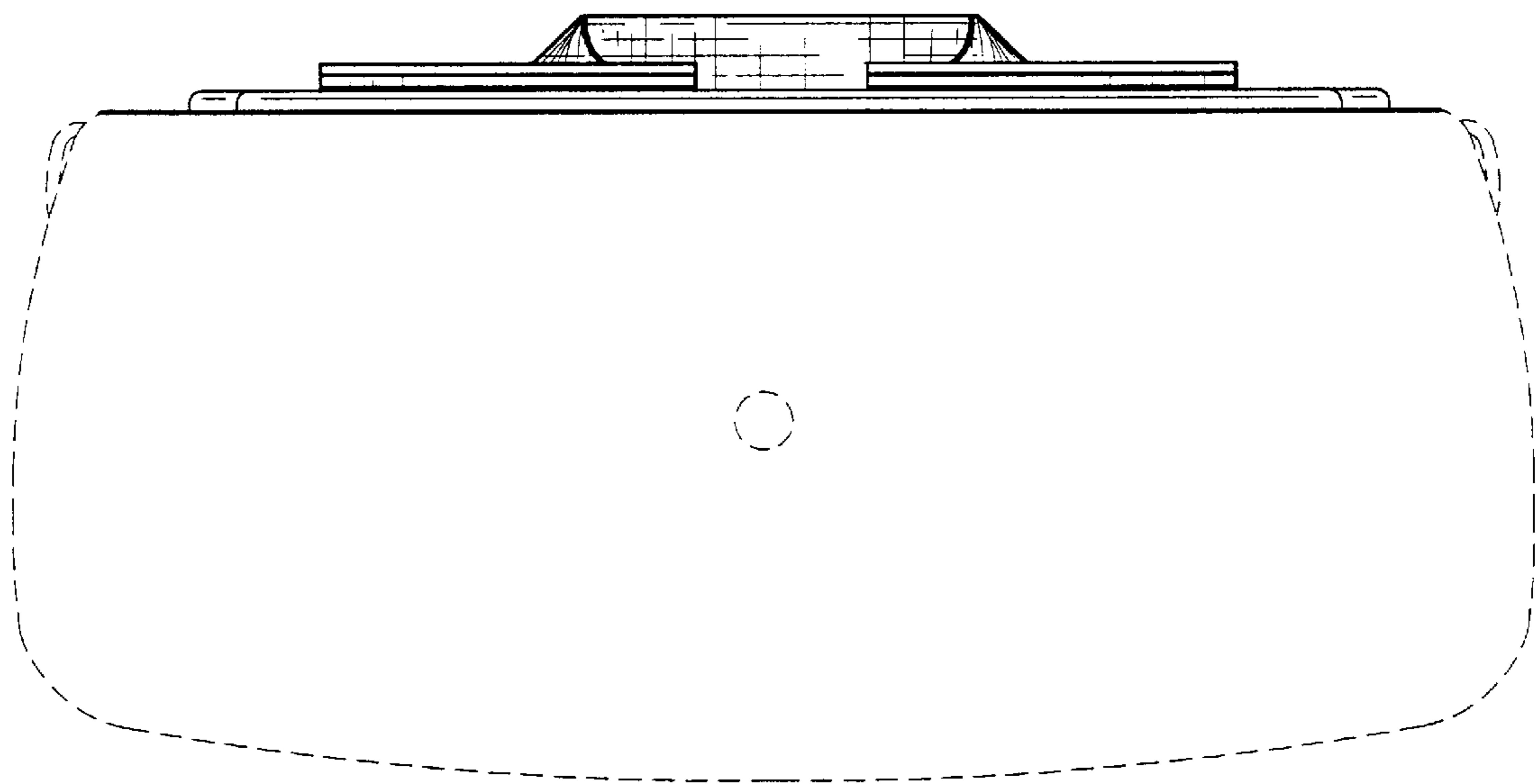


Fig.4