



US00D486289S

(12) **United States Design Patent**
Abbestam

(10) **Patent No.: US D486,289 S**
(45) **Date of Patent: ** Feb. 3, 2004**

- (54) **LINK FOR A CONVEYOR**
- (75) Inventor: **Göran Abbestam, Partille (SE)**
- (73) Assignee: **FlexLink Components AB, Gothenburg (SE)**
- (**) Term: **14 Years**
- (21) Appl. No.: **29/165,929**
- (22) Filed: **Aug. 21, 2002**

Related U.S. Application Data

- (62) Division of application No. 29/135,007, filed on Jan. 4, 2001, now Pat. No. Des. 464,783.

(30) **Foreign Application Priority Data**

Jul. 5, 2000 (SE) 00-1245

- (51) **LOC (7) Cl. 12-05**
- (52) **U.S. Cl. D34/29; D34/35; D8/499**
- (58) **Field of Search D34/29, 35; D8/499; 198/851, 838, 853, 850; 474/212**

(56) **References Cited**

U.S. PATENT DOCUMENTS

2,303,976 A	12/1942	Bawcutt et al.
D141,049 S	5/1945	Ketchum, Jr.
2,385,923 A	10/1945	Klaucke et al.
3,456,409 A	7/1969	Piget
D241,536 S	9/1976	Shell
4,138,011 A	2/1979	Lapeyre
D260,181 S	8/1981	Dallaire
4,394,901 A	7/1983	Roinestad
D286,932 S	11/1986	Bode et al.
D289,607 S	5/1987	Schroeder et al.
D289,734 S	5/1987	Schroeder et al.
D290,932 S	7/1987	Abbestam et al.
D291,777 S	9/1987	Lapeyre et al.
D292,065 S	9/1987	Abbestam et al.
D305,366 S	1/1990	Ripley
D306,080 S	2/1990	Whitney
D307,707 S	5/1990	Abbestam et al.
D314,911 S	2/1991	Spica
D317,513 S	6/1991	Miller et al.
D320,094 S	9/1991	Miller et al.

D327,746 S	7/1992	Valentin
D332,213 S	1/1993	Woyach et al.
D338,536 S	8/1993	Gifford, Sr.
D338,972 S	8/1993	Moss et al.
D344,595 S	2/1994	Ehmke et al.
5,309,705 A	5/1994	Takahashi et al.
D347,699 S	6/1994	Krueger
5,332,084 A	7/1994	Greve
D359,149 S	6/1995	Nozaki
D370,759 S	6/1996	Kubsik et al.
D382,978 S	8/1997	Gearing
D398,029 S	9/1998	Falls et al.
D402,061 S	12/1998	Leonelli
5,850,902 A	12/1998	Hicks et al.
D419,742 S	1/2000	Abbestam
D420,483 S	2/2000	Abbestam
D425,682 S	5/2000	Wang
D426,366 S	6/2000	Petrovic
D426,692 S	6/2000	Swanink
D427,325 S	6/2000	Ginzel
D427,898 S	7/2000	Loh
6,089,379 A	7/2000	Hindi
D432,671 S	10/2000	Grosfillex
6,171,209 B1	1/2001	Matsuda
D439,389 S	3/2001	Simkowski
D439,721 S	3/2001	Swanink
6,223,889 B1 *	5/2001	Layne et al. 198/853
6,250,458 B1 *	6/2001	Shibayama et al. 198/851
6,347,699 B1 *	2/2002	Ramsey 198/852
6,364,095 B1 *	4/2002	Layne et al. 198/852
6,382,404 B1 *	5/2002	Guldenfels 198/850

* cited by examiner

Primary Examiner—Cynthia E. Ramirez
(74) *Attorney, Agent, or Firm*—Burns, Doane, Swecker & Mathis, L.L.P.

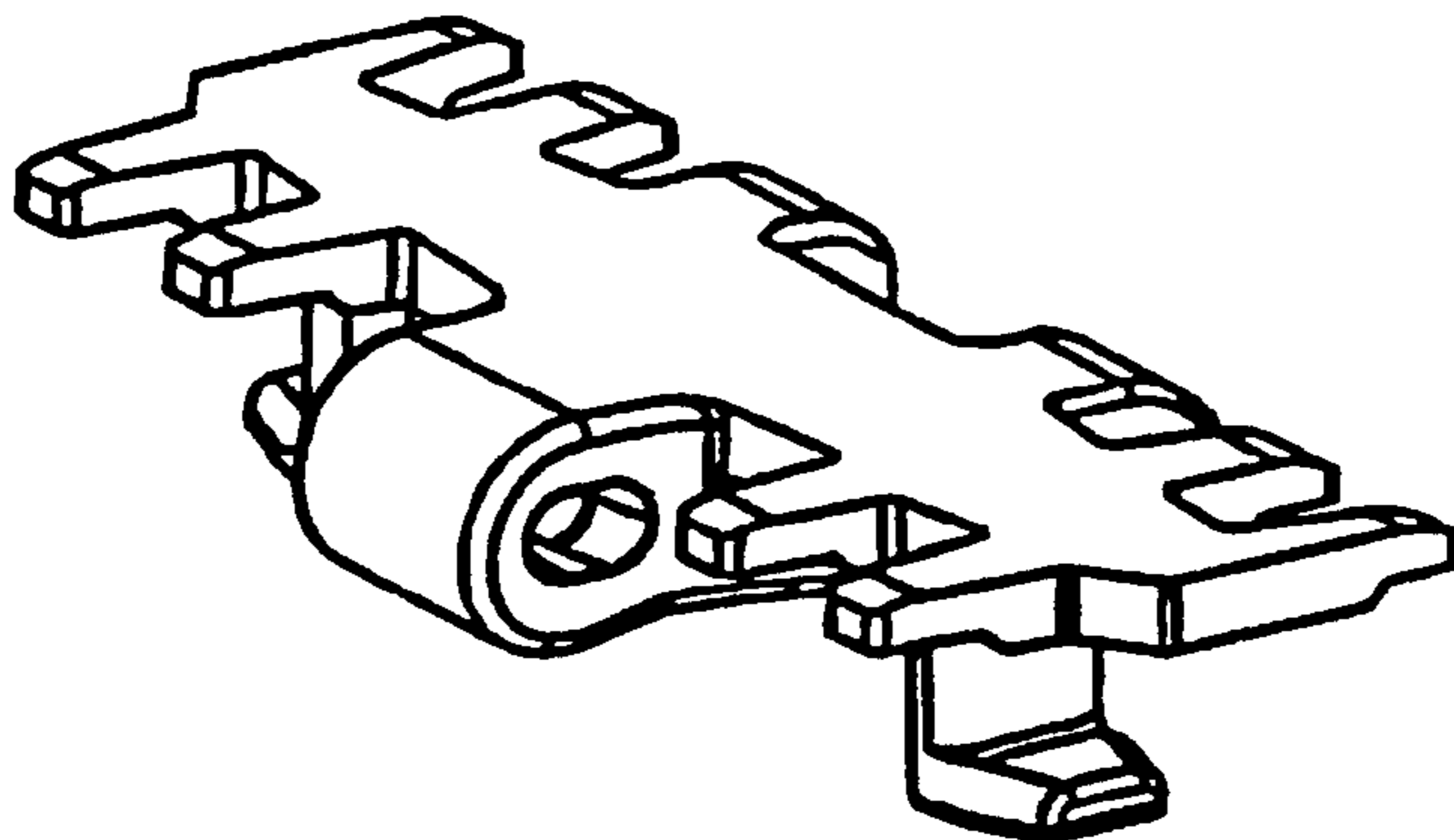
(57) **CLAIM**

The ornamental design for a link for a conveyor, as shown and described.

DESCRIPTION

FIG. 1 is a top perspective view of a link for a conveyor showing my new design;
FIG. 2 is a bottom perspective view thereof;
FIG. 3 is a top plan view thereof; and,
FIG. 4 is a bottom plan view thereof.

1 Claim, 1 Drawing Sheet



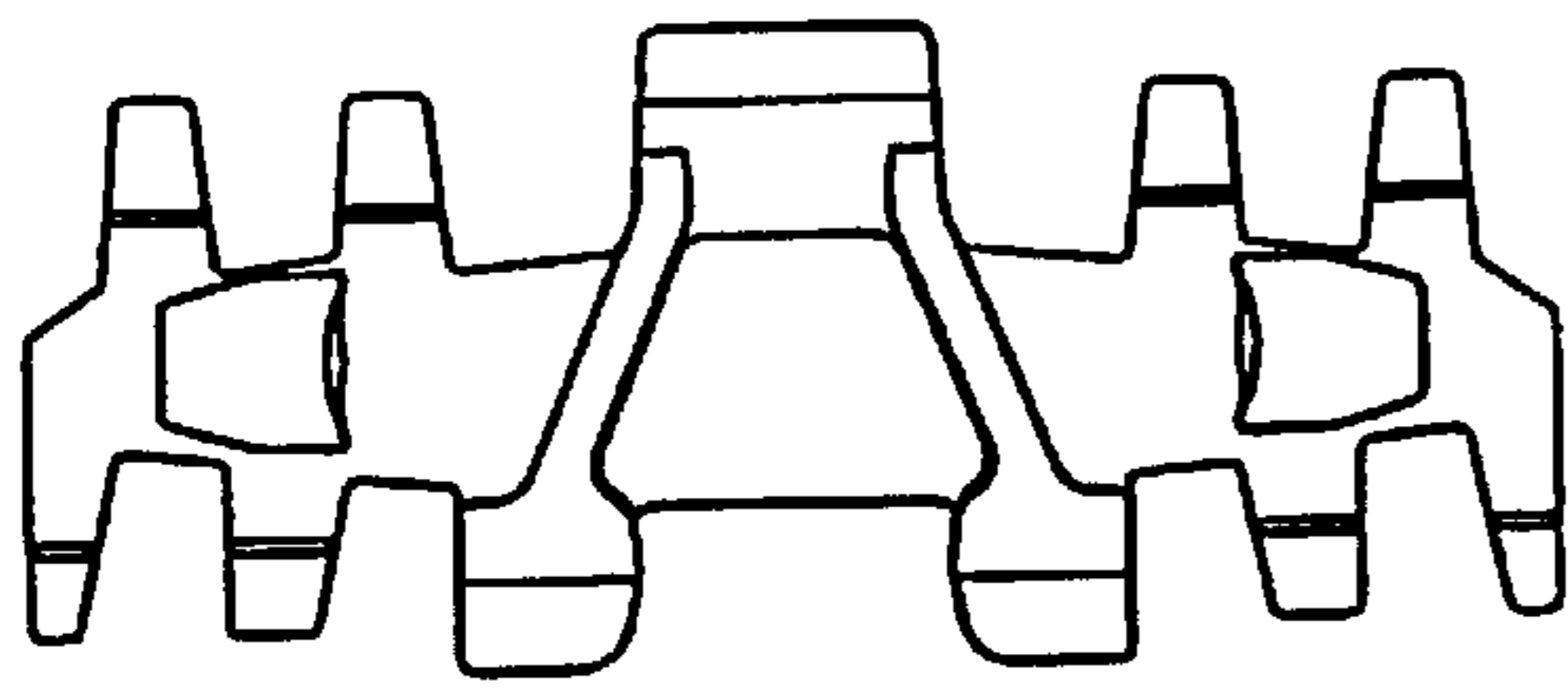


FIG. 4

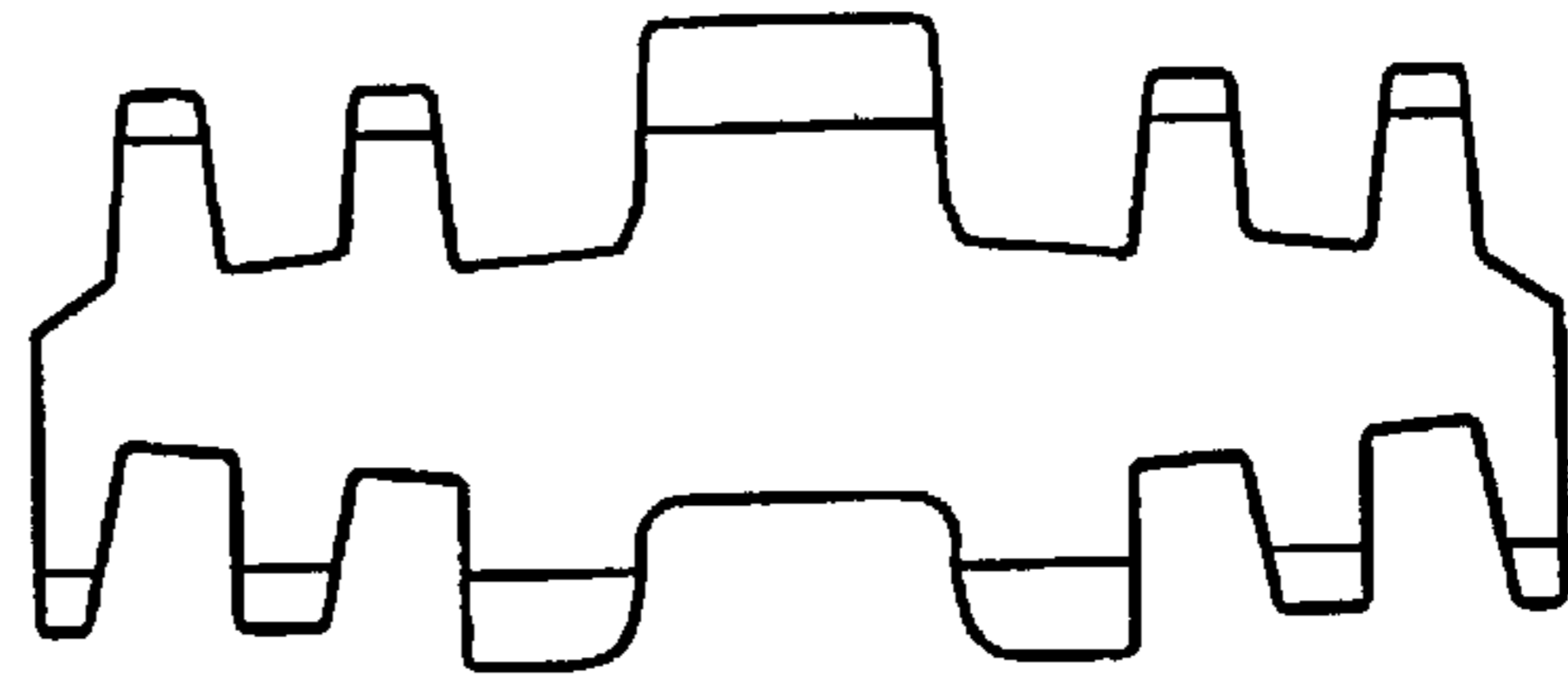


FIG. 3

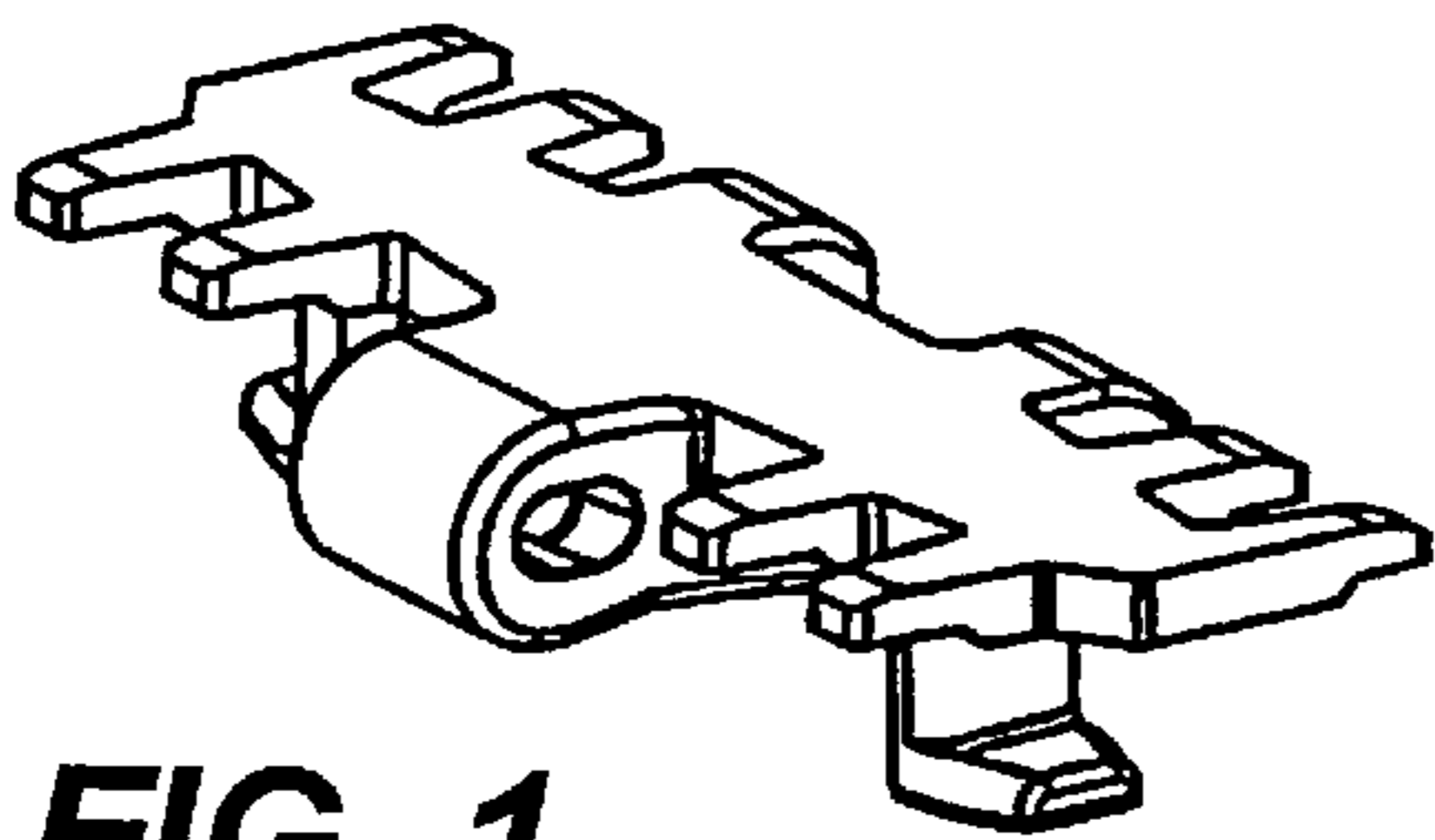


FIG. 1

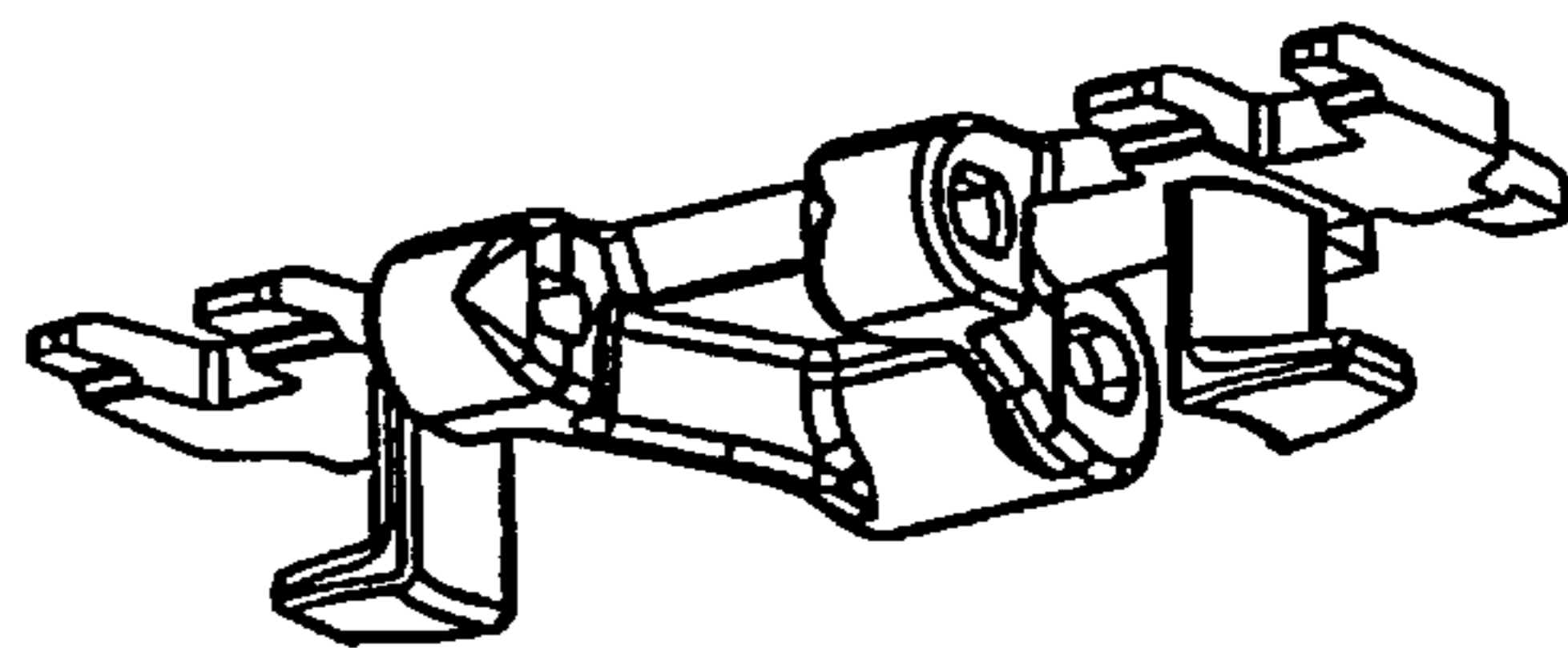


FIG. 2