



US00D486286S

(12) **United States Design Patent**  
**Hammond**

(10) **Patent No.:** **US D486,286 S**

(45) **Date of Patent:** **\*\* Feb. 3, 2004**

(54) **ROLLING, STRAP-HELD, END ROLLERS FOR SECURING A FOLDED CANOPY THEREBETWEEN**

*Primary Examiner*—Kay H. Chin  
(74) *Attorney, Agent, or Firm*—Willie Krawitz

(57) **CLAIM**

(76) **Inventor:** **Daniel E. Hammond**, 50325 Vista Mountain Rd., La Quinta, CA (US) 92253

The ornamental design for a rolling, strap-held, end holders for securing a folded canopy therebetween, as shown and described.

(\*\*) **Term:** **14 Years**

**DESCRIPTION**

(21) **Appl. No.:** **29/160,625**

FIG. 1 is a front elevation view of a rolling, strap-held, end rollers for securing a folded canopy therebetween showing my new design; the canopy is elevated from the storage roller for clarity of illustration;

(22) **Filed:** **May 12, 2002**

(51) **LOC (7) Cl.** ..... **12-02**

FIG. 2 is a right side elevation view of FIG. 1;

(52) **U.S. Cl.** ..... **D34/25; D34/23**

FIG. 3 is a rear elevation view of FIG. 1;

(58) **Field of Search** ..... D34/12-27; 280/47.17, 280/655, 79.11, 79.2, 79.3, 652, 47.34; D6/440, 448

FIG. 4 is a top plan view of FIG. 1;

FIG. 5 is a bottom plan view of FIG. 1;

FIG. 6 is a perspective view of FIG. 1;

(56) **References Cited**

FIG. 7 is a perspective view thereof showing the canopy in a storage condition;

**U.S. PATENT DOCUMENTS**

FIG. 8 is a front elevation view of a second embodiment of the rolling, strap-held, end rollers for securing a folded canopy therebetween;

D353,727 S \* 12/1994 Sun ..... D6/440

FIG. 9 is a right side elevation view of FIG. 8;

D358,695 S \* 5/1995 Hudson et al. .... D34/26

FIG. 10 is a rear elevation view of FIG. 8;

D395,107 S \* 6/1998 Kushner et al. .... D34/17

FIG. 11 is a top plan view of FIG. 8; and,

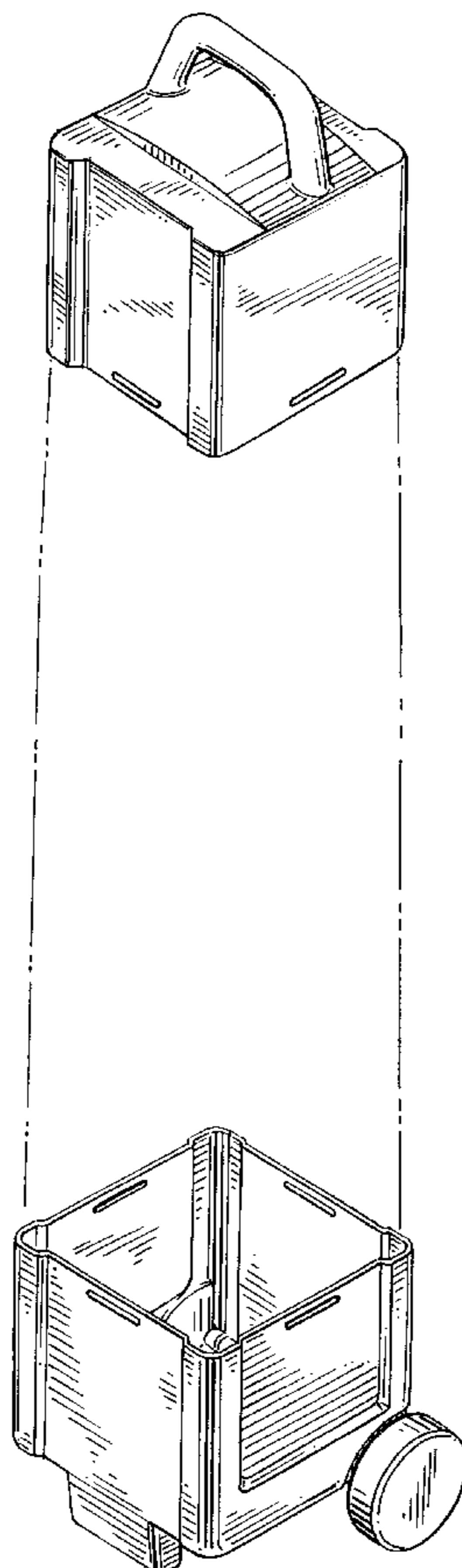
D423,171 S \* 4/2000 Alcala et al. .... D34/19

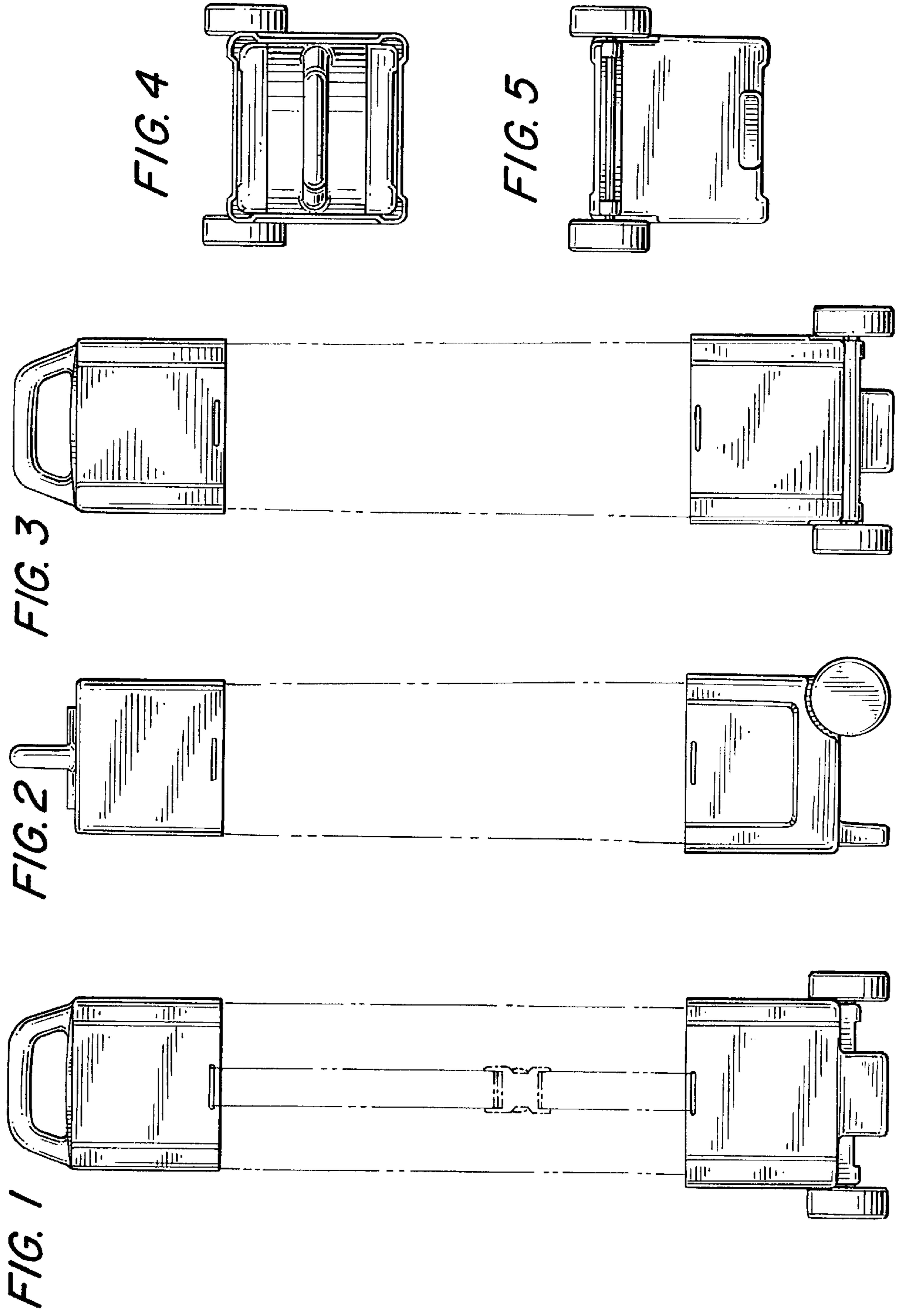
FIG. 12 is a bottom plan view of FIG. 8.

D470,641 S \* 2/2003 Emerzian et al. .... D34/27

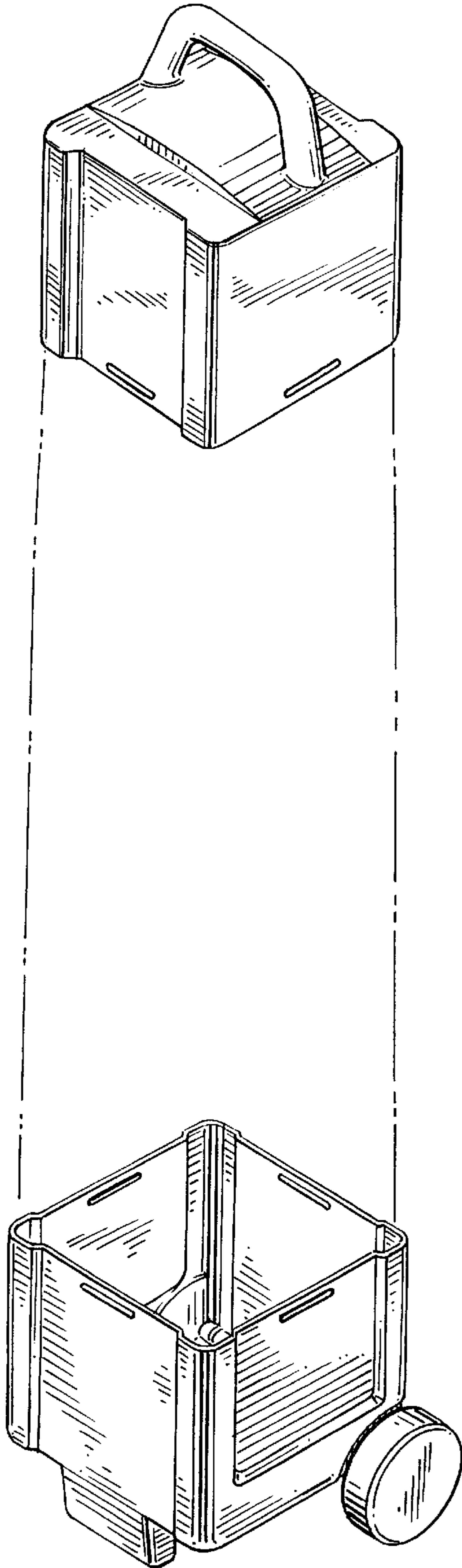
\* cited by examiner

**1 Claim, 3 Drawing Sheets**





*FIG. 6*



*FIG. 7*

