



US00D486285S

(12) **United States Design Patent**
Kuo

(10) **Patent No.:** **US D486,285 S**

(45) **Date of Patent:** **** Feb. 3, 2004**

(54) **RECEPTACLE**

(75) **Inventor:** **Chen-Hung Kuo**, Tainan Hsien (TW)

(73) **Assignee:** **Sincere & Well Industrial Co., Ltd.**,
Tainan Hsien (TW)

(**) **Term:** **14 Years**

(21) **Appl. No.:** **29/175,001**

(22) **Filed:** **Jan. 29, 2003**

(51) **LOC (7) Cl.** **09-09**

(52) **U.S. Cl.** **D34/9**

(58) **Field of Search** D34/1, 7, 9, 10,
D34/8, 11; 220/908-911, 262, 263, 264

(56) **References Cited**

U.S. PATENT DOCUMENTS

329,026 A	*	10/1885	Vergne, Jr.	222/111
1,333,051 A	*	3/1920	Young	220/252
2,063,507 A	*	12/1936	Karper	220/263
2,246,975 A	*	6/1941	Geibel	220/23.87
D241,499 S	*	9/1976	Rafferty	D34/9

5,170,904 A	*	12/1992	Neuhaus	220/262
5,295,607 A	*	3/1994	Chang	220/495.07
5,881,896 A	*	3/1999	Presnell et al.	220/252
5,957,319 A	*	9/1999	Shane da Costa	220/495.06
D476,460 S	*	6/2003	Lin	D34/9

* cited by examiner

Primary Examiner—Cynthia E. Ramirez
(74) *Attorney, Agent, or Firm*—Rosenberg, Klein & Lee

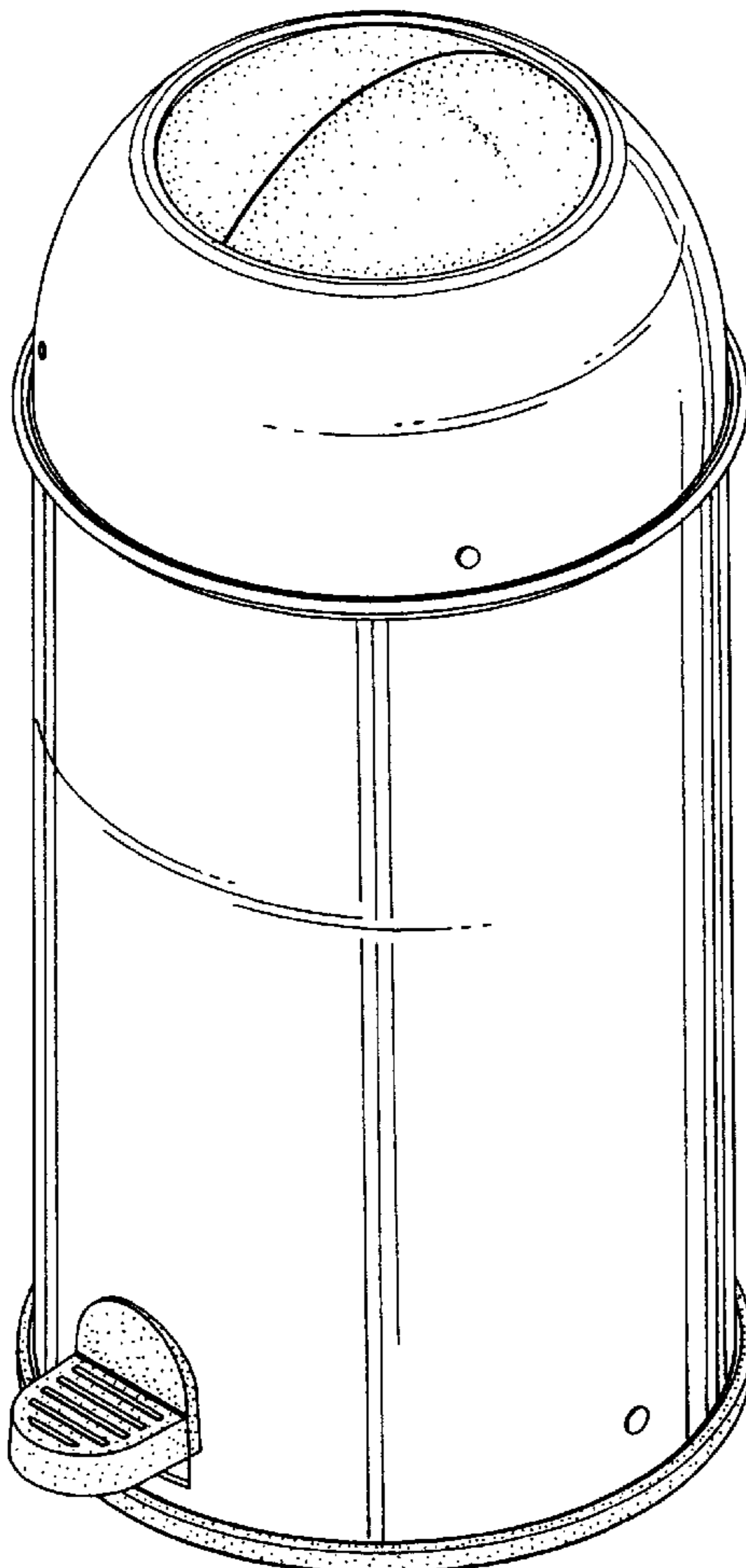
(57) **CLAIM**

The ornamental design for a receptacle, as shown and described.

DESCRIPTION

FIG. 1 is a perspective view of a receptacle showing my new design;
FIG. 2 is a front elevational view thereof;
FIG. 3 is a rear elevational view thereof;
FIG. 4 is a left side elevational view thereof;
FIG. 5 is a right side elevational view thereof;
FIG. 6 is a top plan view thereof; and,
FIG. 7 is a bottom plan view thereof.

1 Claim, 4 Drawing Sheets



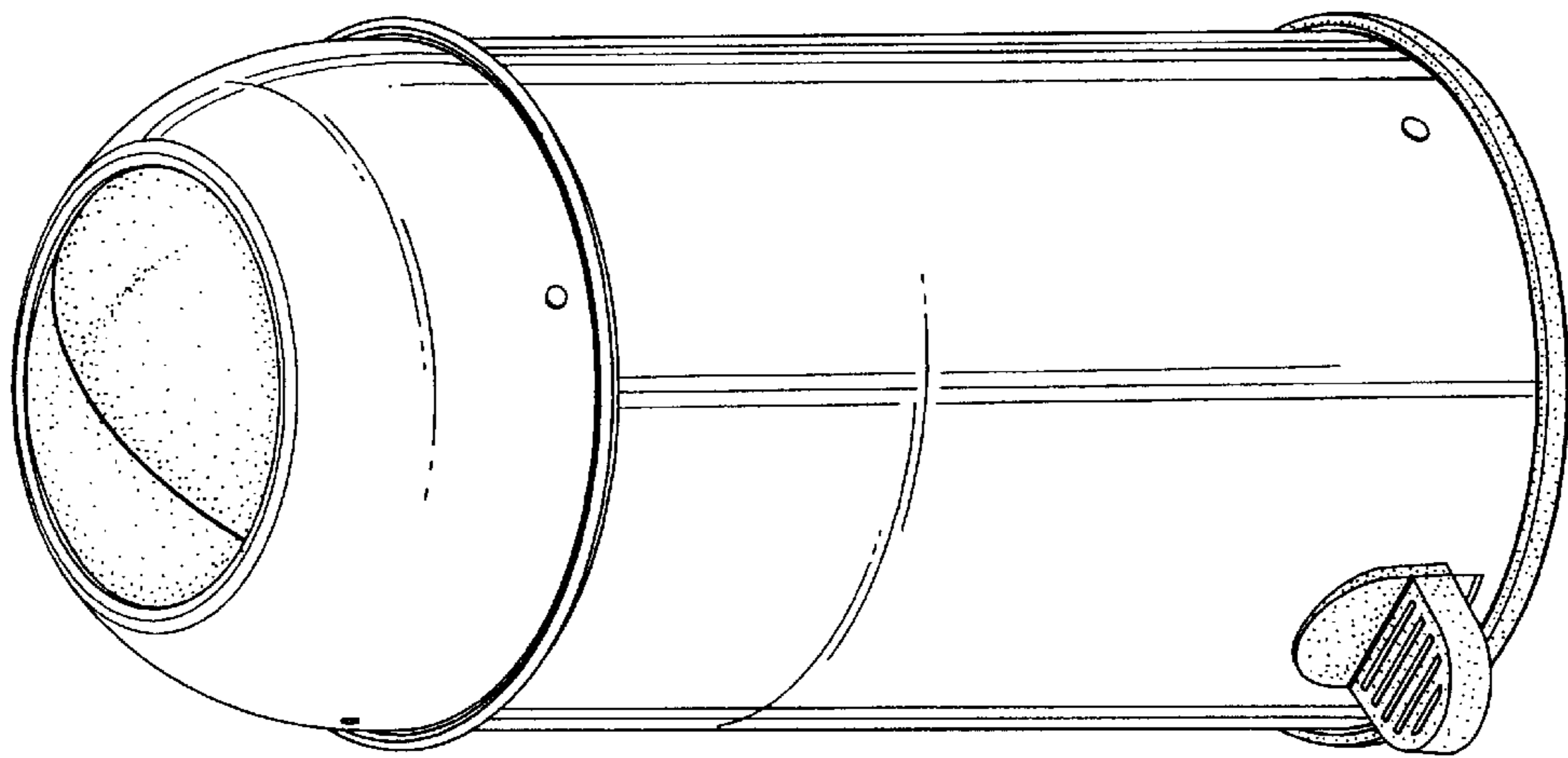


FIG. 1

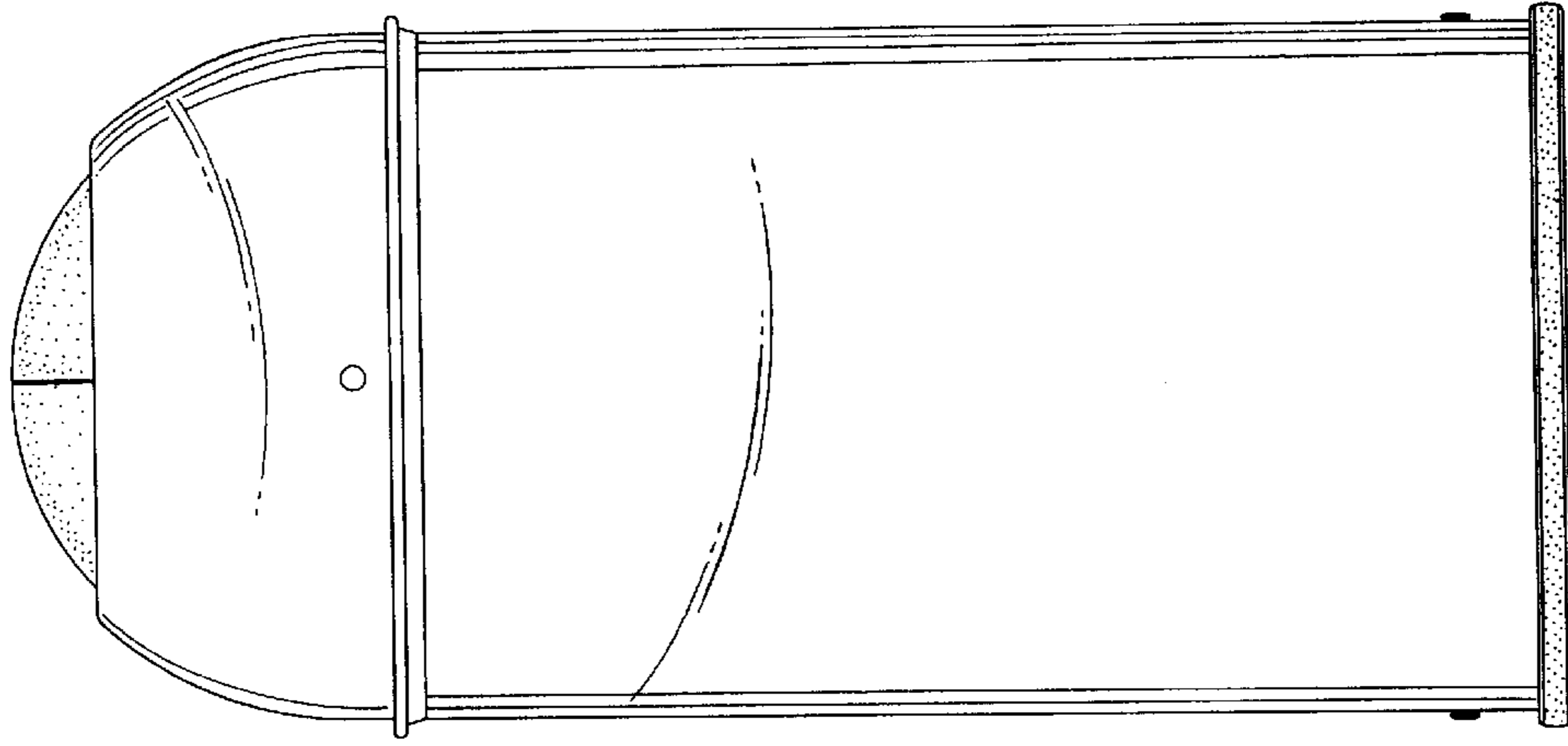


FIG. 3

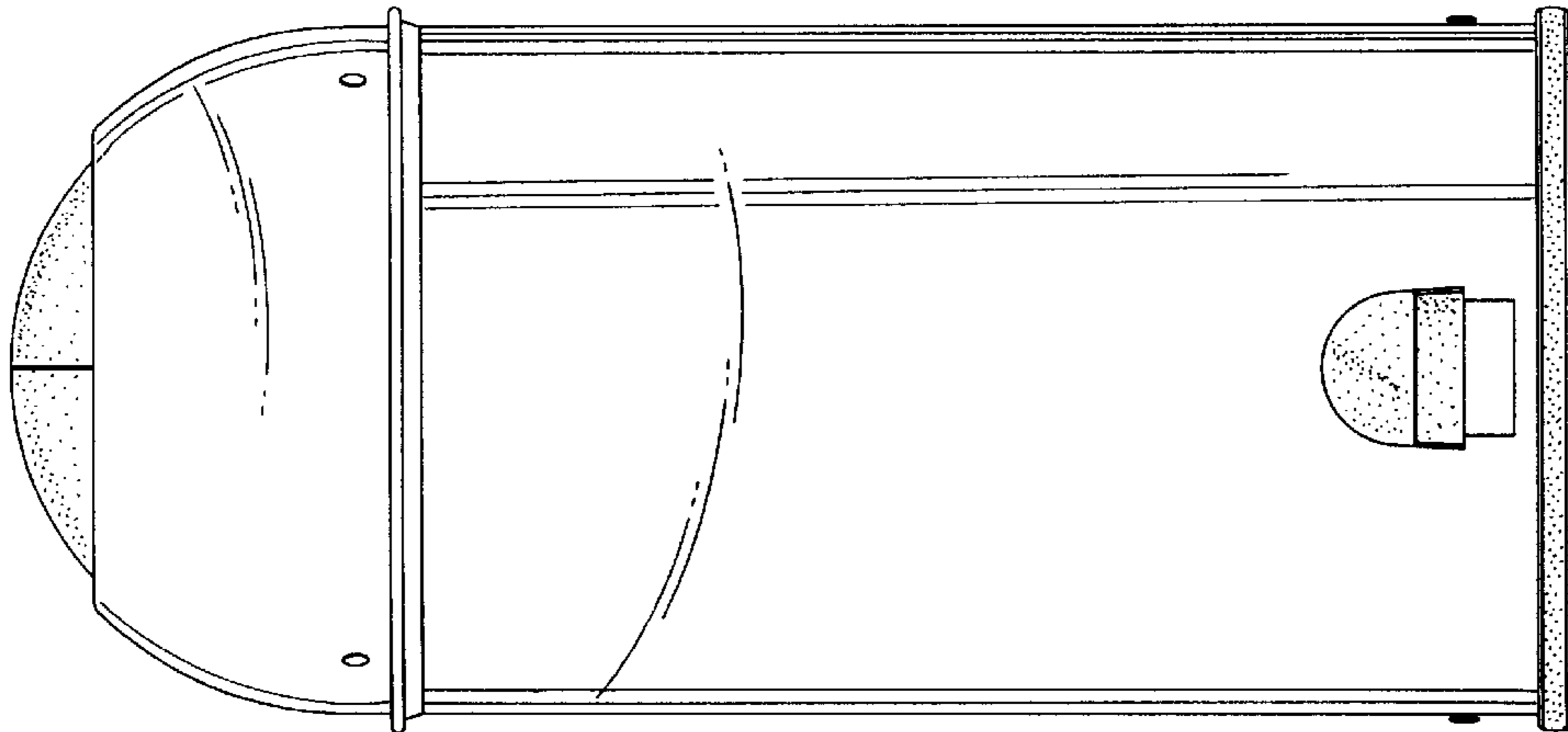


FIG. 2

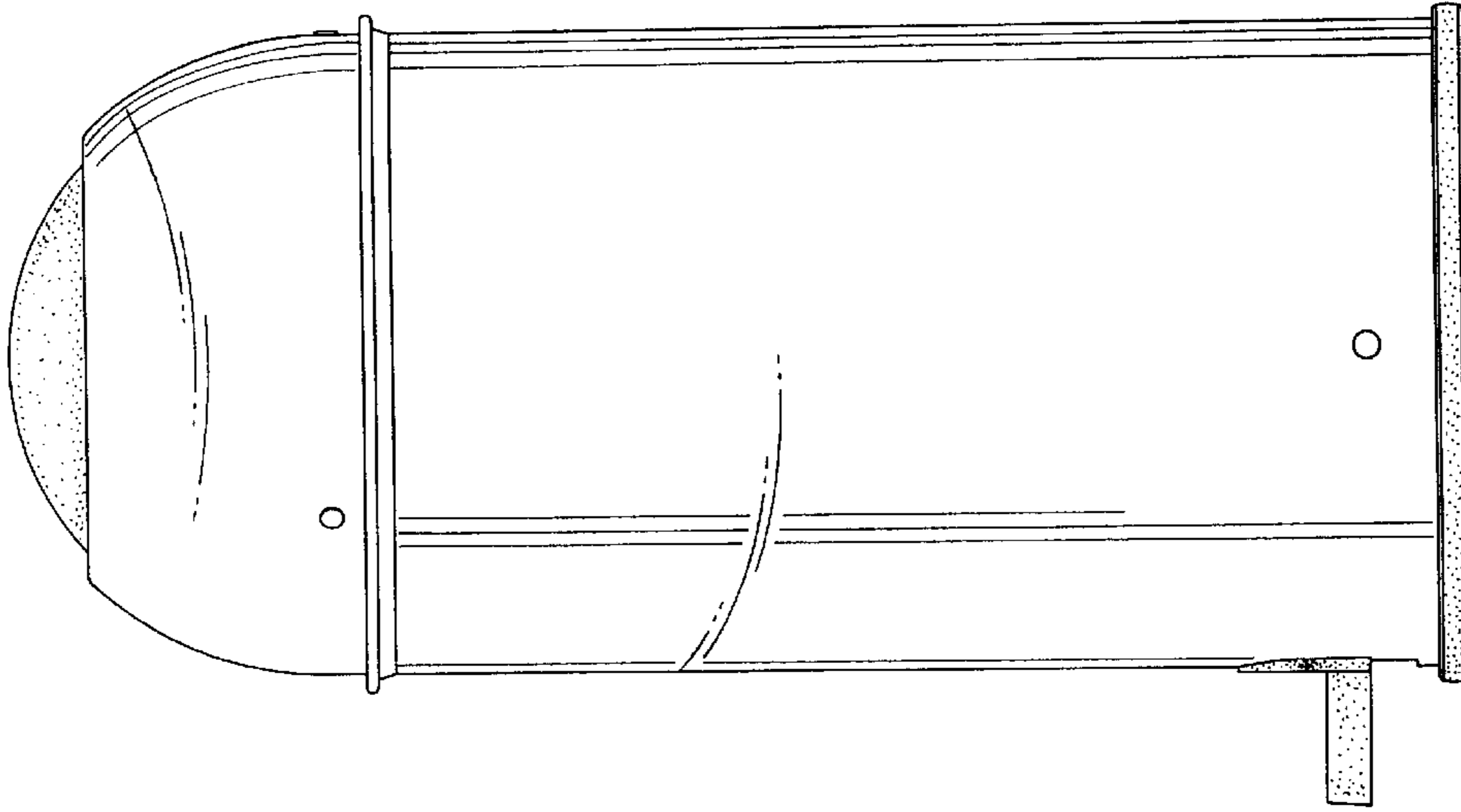


FIG. 5

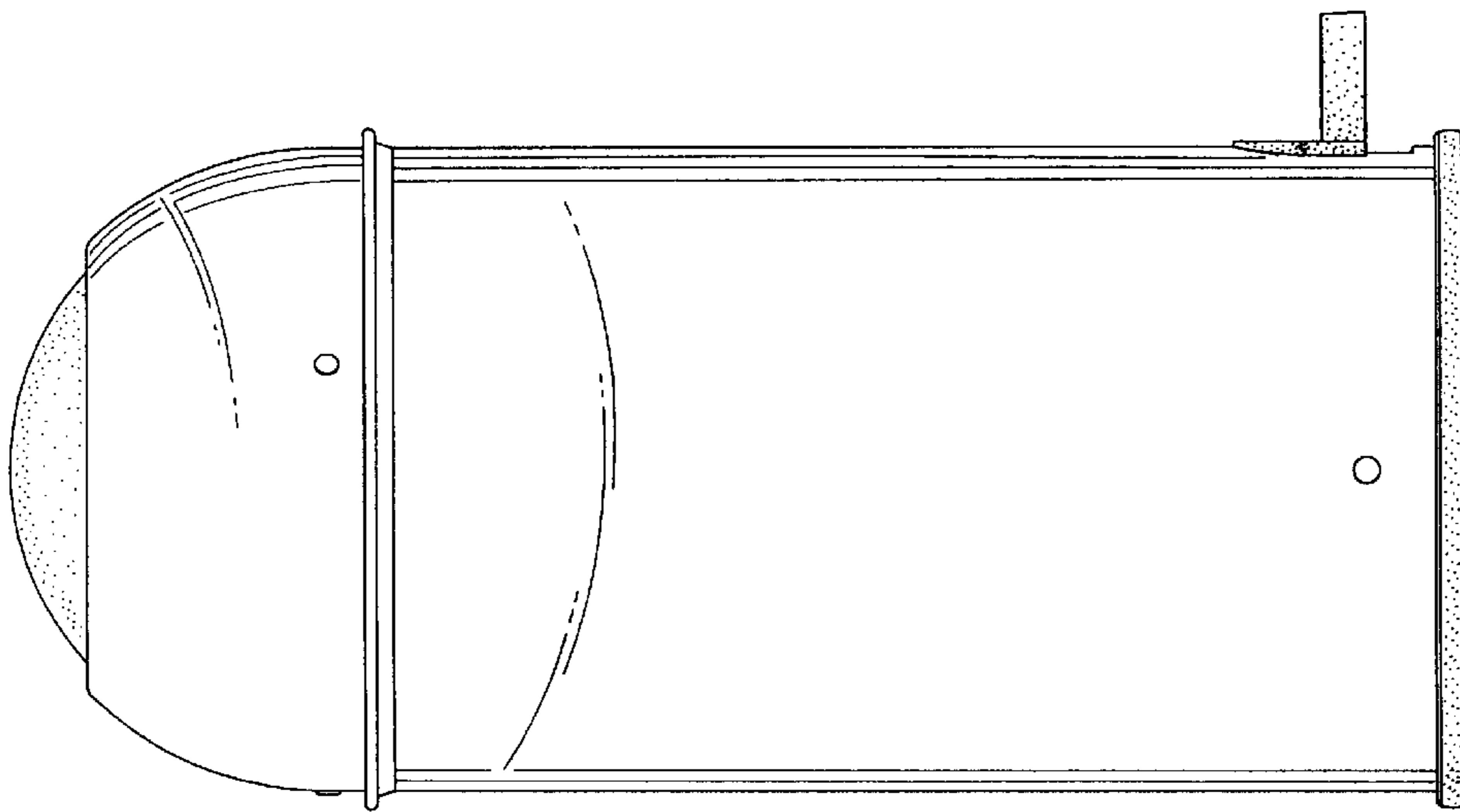


FIG. 4

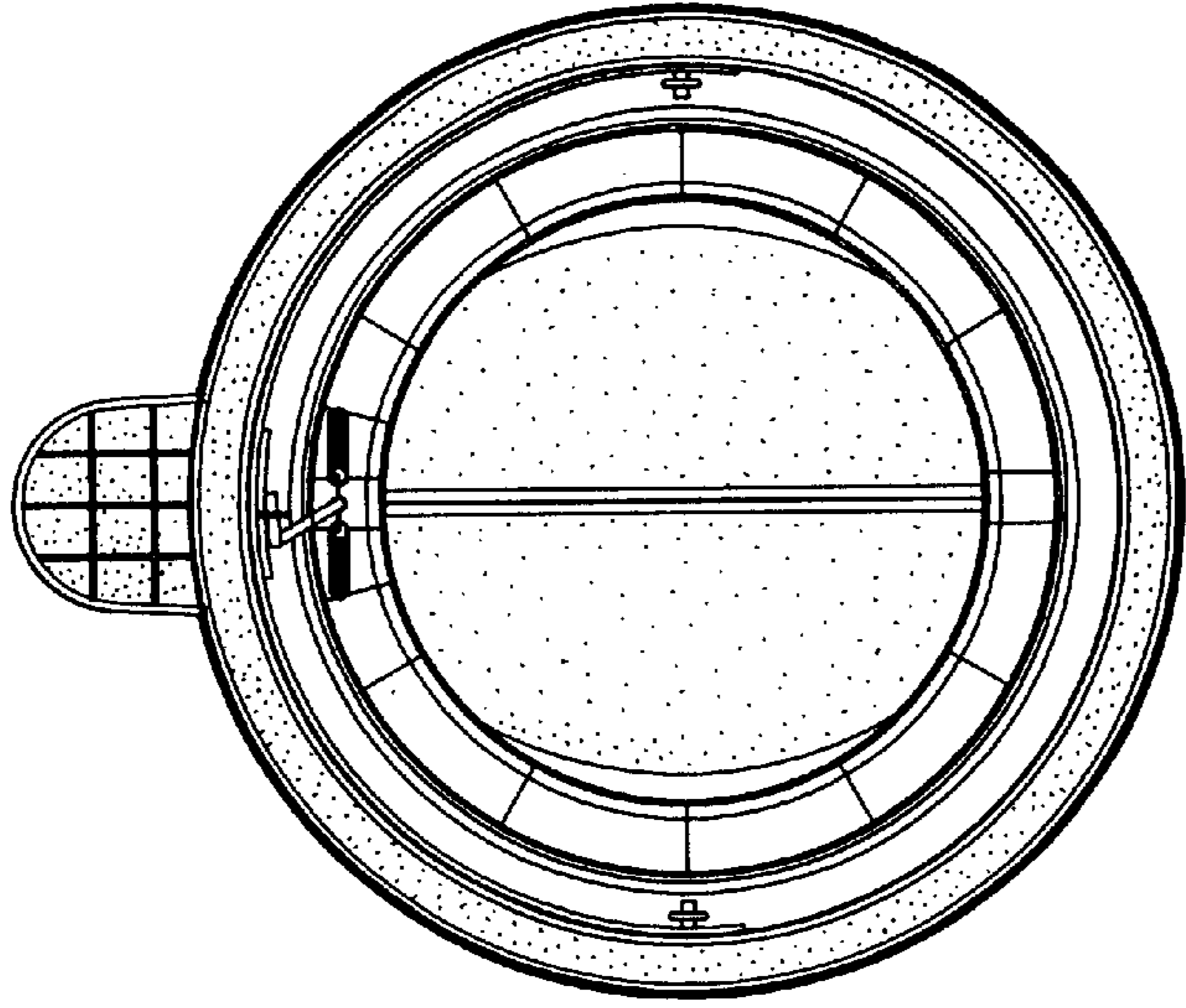


FIG. 7

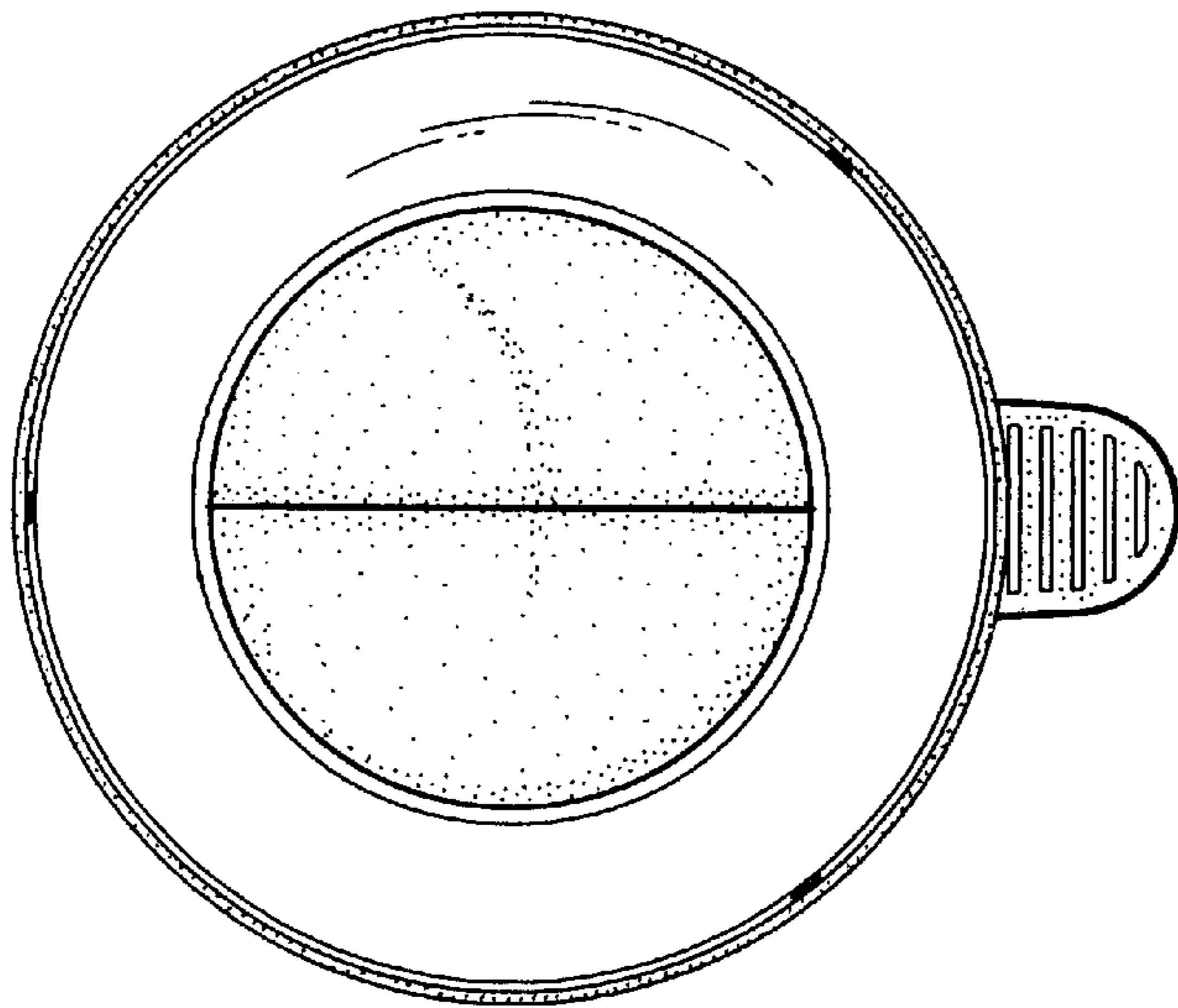


FIG. 6