



US00D486280S

(12) **United States Design Patent**  
**Holsten et al.**

(10) **Patent No.:** **US D486,280 S**  
(45) **Date of Patent:** **\*\* Feb. 3, 2004**

(54) **COMBINATION WET AND DRY VACUUM APPLIANCE**  
(75) Inventors: **Stuart V. Holsten**, O'Fallon, MO (US);  
**Jeffrey L. Young**, Saint Peters, MO (US); **Kiyoshi Hoshino**, Chesterfield, MO (US)

(73) Assignee: **Emerson Electric Co.**, St. Louis, MO (US)

(\*\*) Term: **14 Years**

(21) Appl. No.: **29/174,904**

(22) Filed: **Jan. 27, 2003**

(51) **LOC (7) Cl.** ..... **15-05**

(52) **U.S. Cl.** ..... **D32/23**

(58) **Field of Search** ..... D32/21, 23-24, D32/31, 25, 17-18; 15/327.1, 327.2, 327.3, 327.4, 327.5, 327.6, 327.7, 321, 323, 353, 344, 359, 410

(56) **References Cited**

**U.S. PATENT DOCUMENTS**

D357,773 S	*	4/1995	Wareham et al.	.....	D32/23
D361,179 S	*	8/1995	Moine et al.	.....	D32/23
D362,091 S		9/1995	Tomasiak et al.		
5,606,769 A	*	3/1997	Tomasiak et al.	.....	15/327.6
5,611,107 A		3/1997	Tomasiak et al.		

6,055,700 A		5/2000	Holsten et al.		
6,158,083 A		12/2000	Holsten		
D438,353 S		2/2001	Hoshino et al.		
D443,739 S		6/2001	Young et al.		
D447,842 S		9/2001	Griffin		
6,385,809 B1		5/2002	Martin et al.		
D470,279 S		2/2003	Griffin et al.		
6,543,085 B2	*	4/2003	Holsten et al.	.....	15/410
D479,023 S	*	8/2003	Holsten et al.	.....	D32/23

\* cited by examiner

*Primary Examiner*—Ruth McInroy  
(74) *Attorney, Agent, or Firm*—Howrey Simon Arnold & White LLP

(57) **CLAIM**

The ornamental design for a combination wet and dry vacuum appliance, as shown and described.

**DESCRIPTION**

FIG. 1 is a top front perspective view of the combination wet and dry vacuum appliance, showing our new design; FIG. 2 is a rear perspective view; FIG. 3 is a front view; FIG. 4 is a back view; FIG. 5 is a side view; FIG. 6 is a side view showing the side opposite that shown in FIG. 5; and, FIG. 7 is a top view.

**1 Claim, 7 Drawing Sheets**

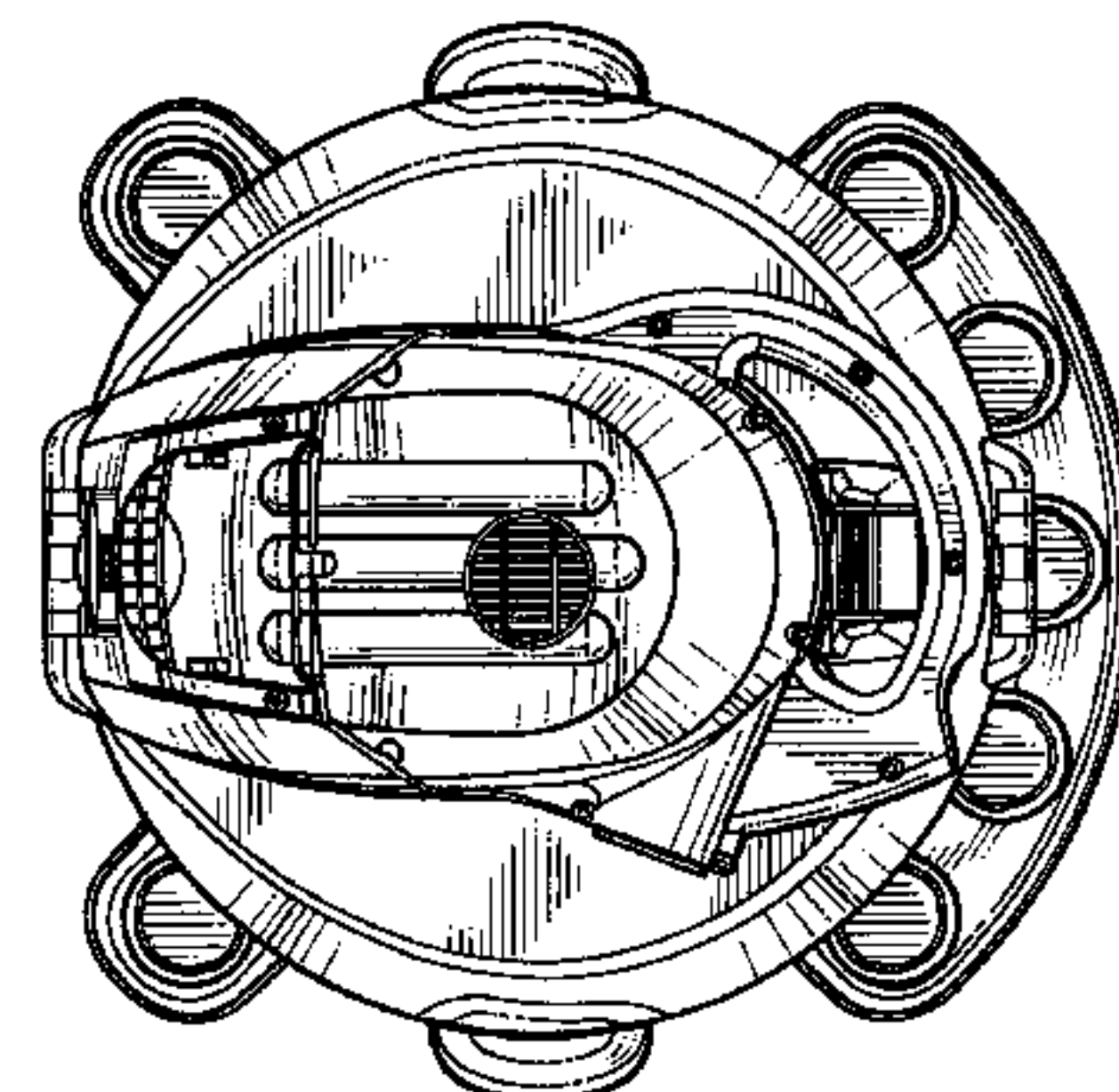
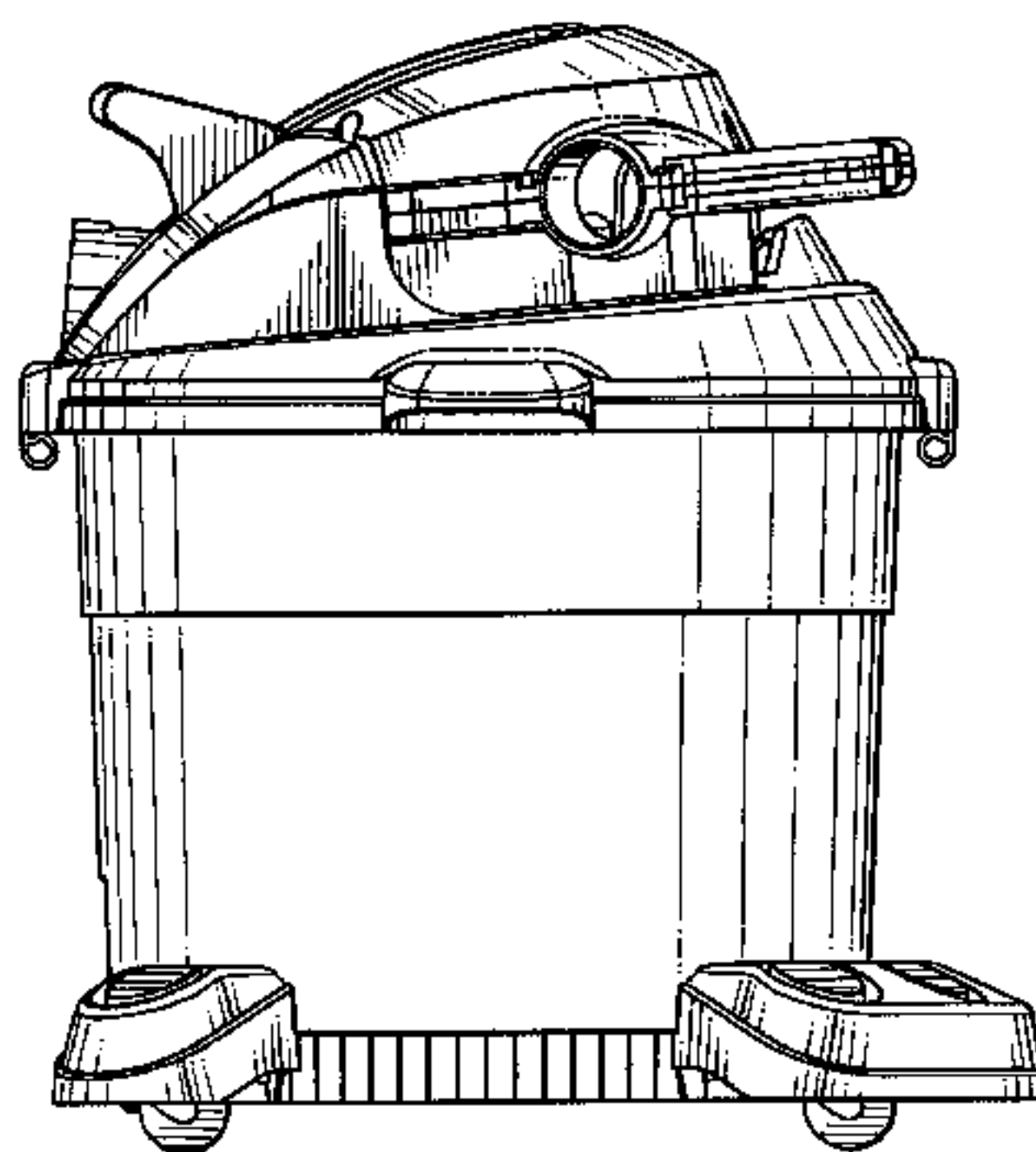
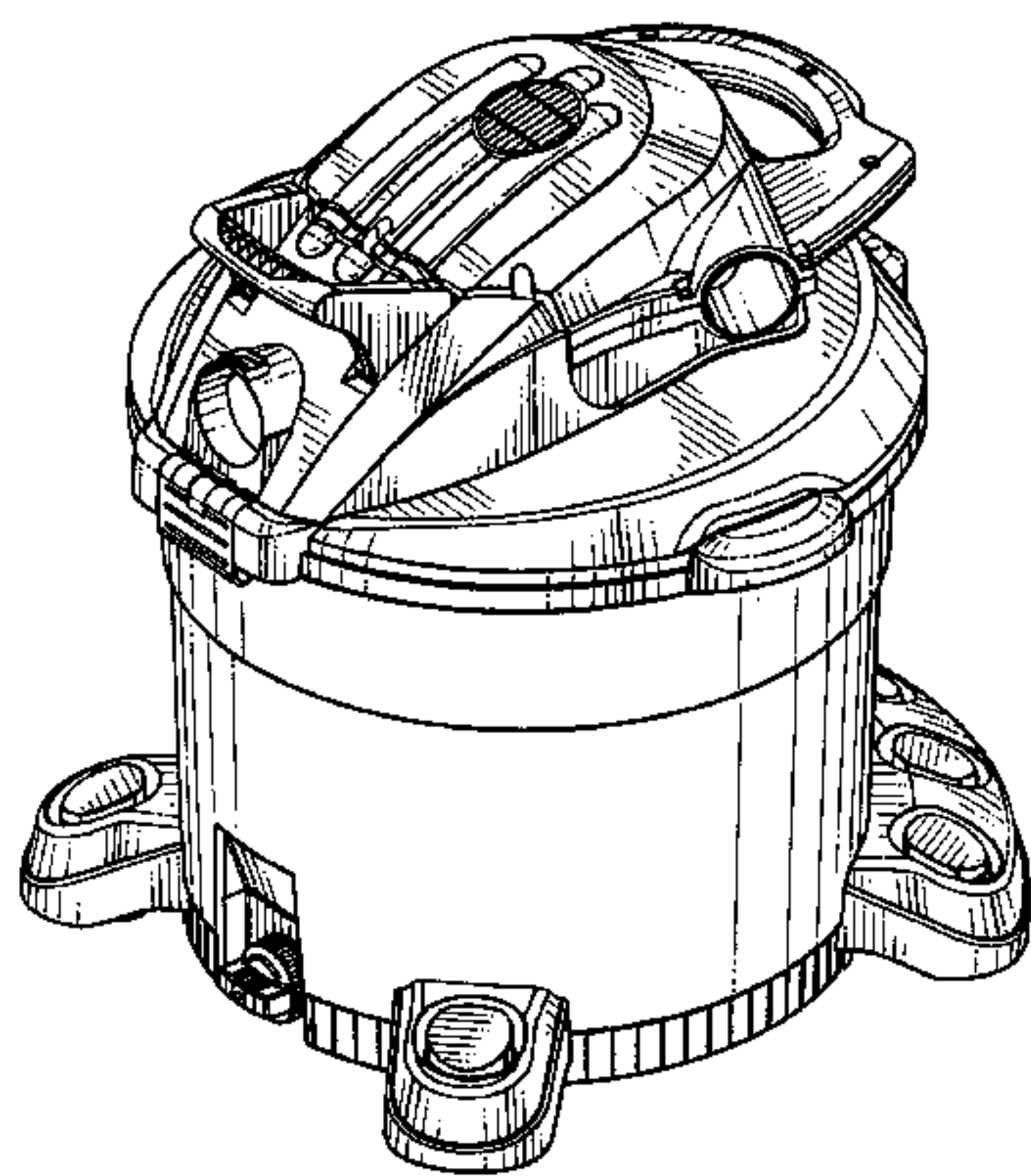
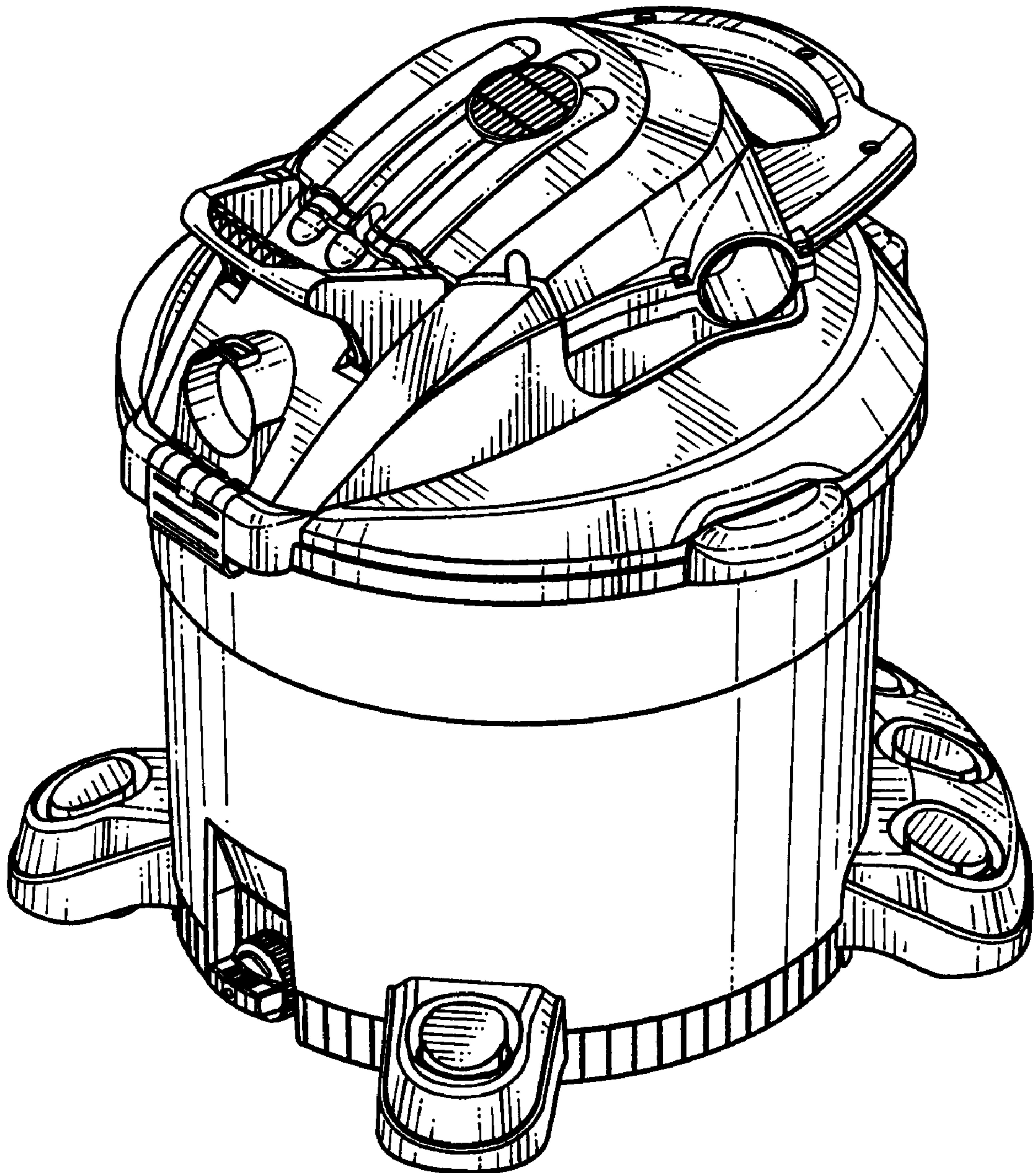


FIG. 1



**FIG. 2**

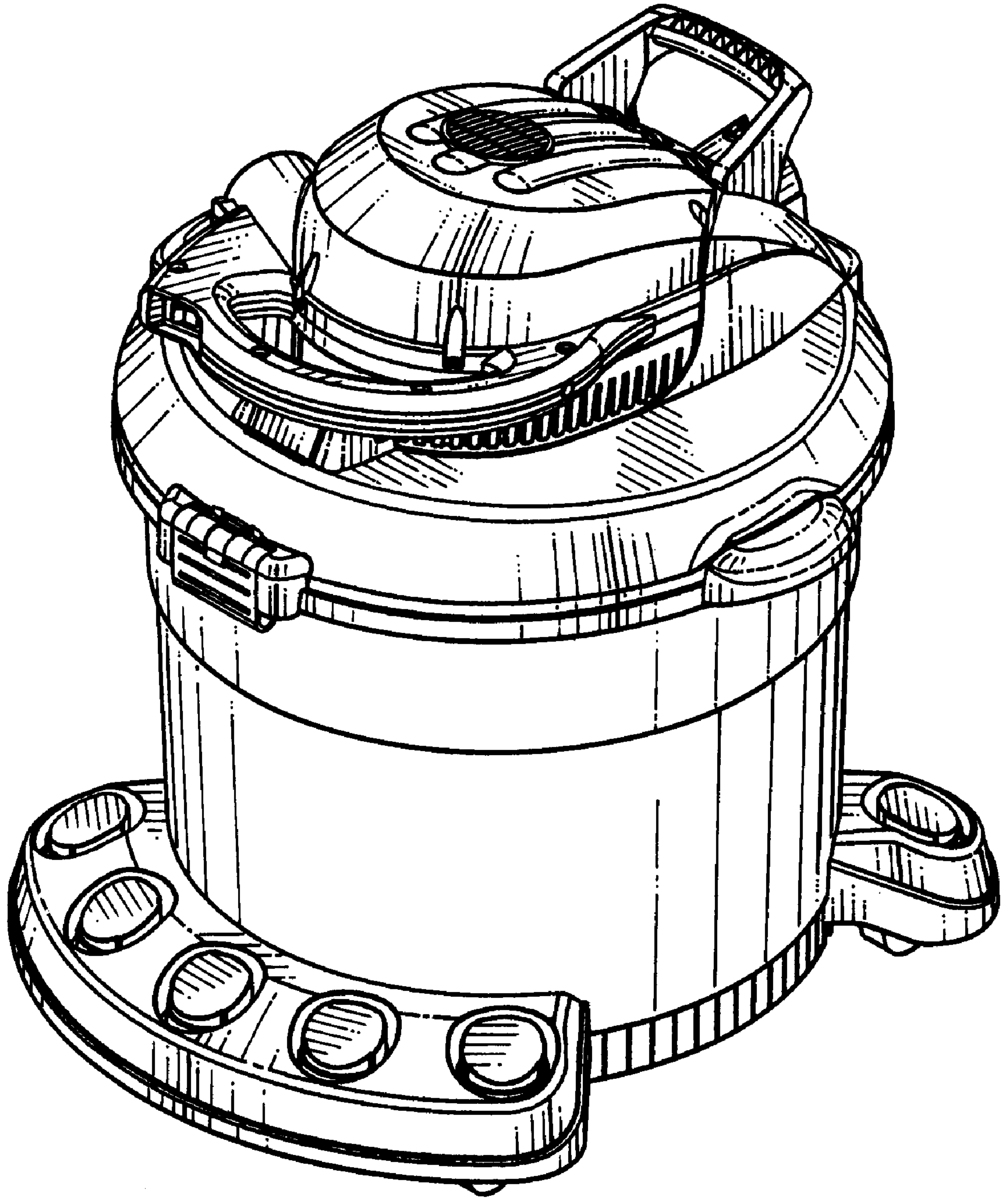




FIG. 3

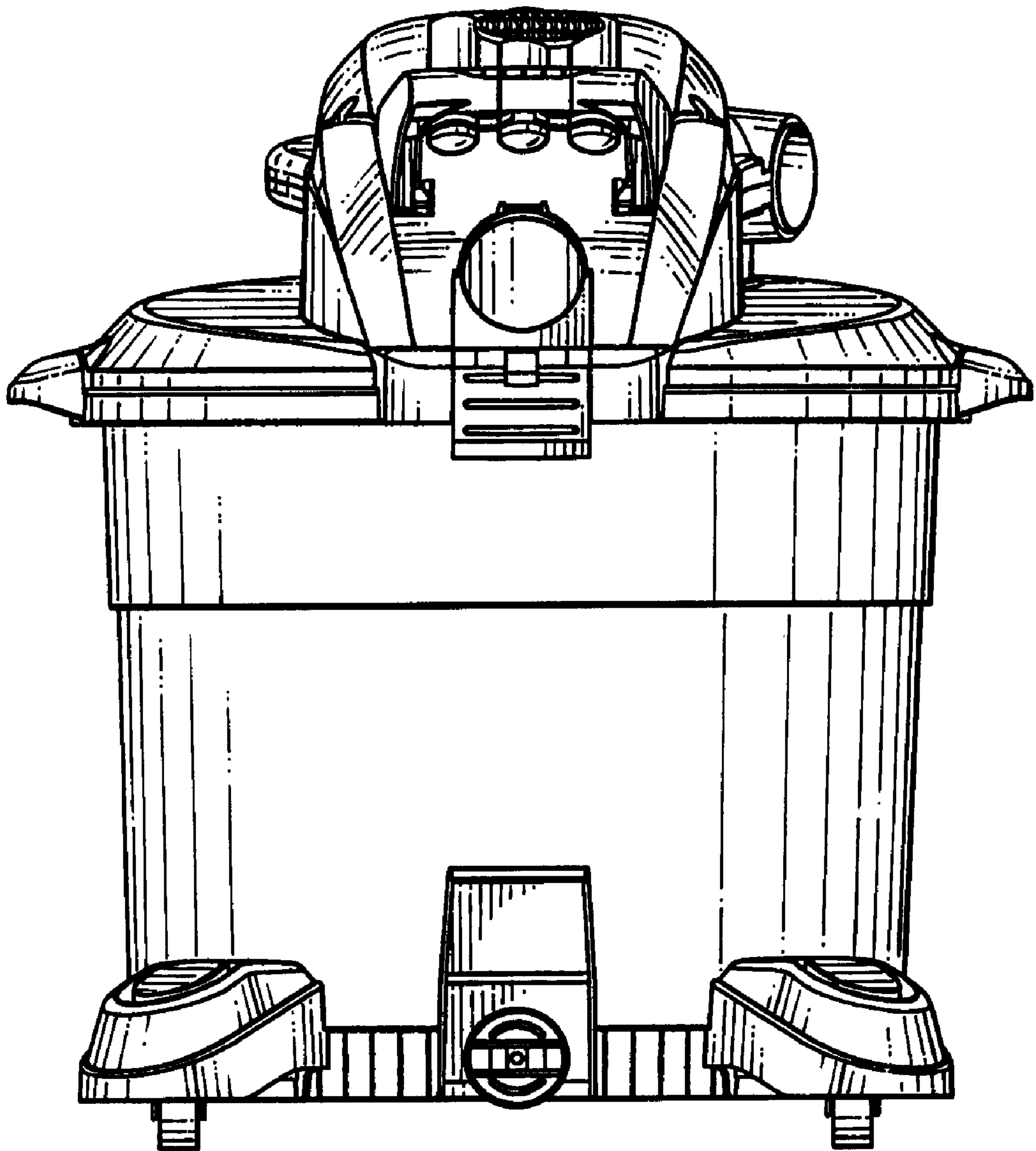


FIG. 4

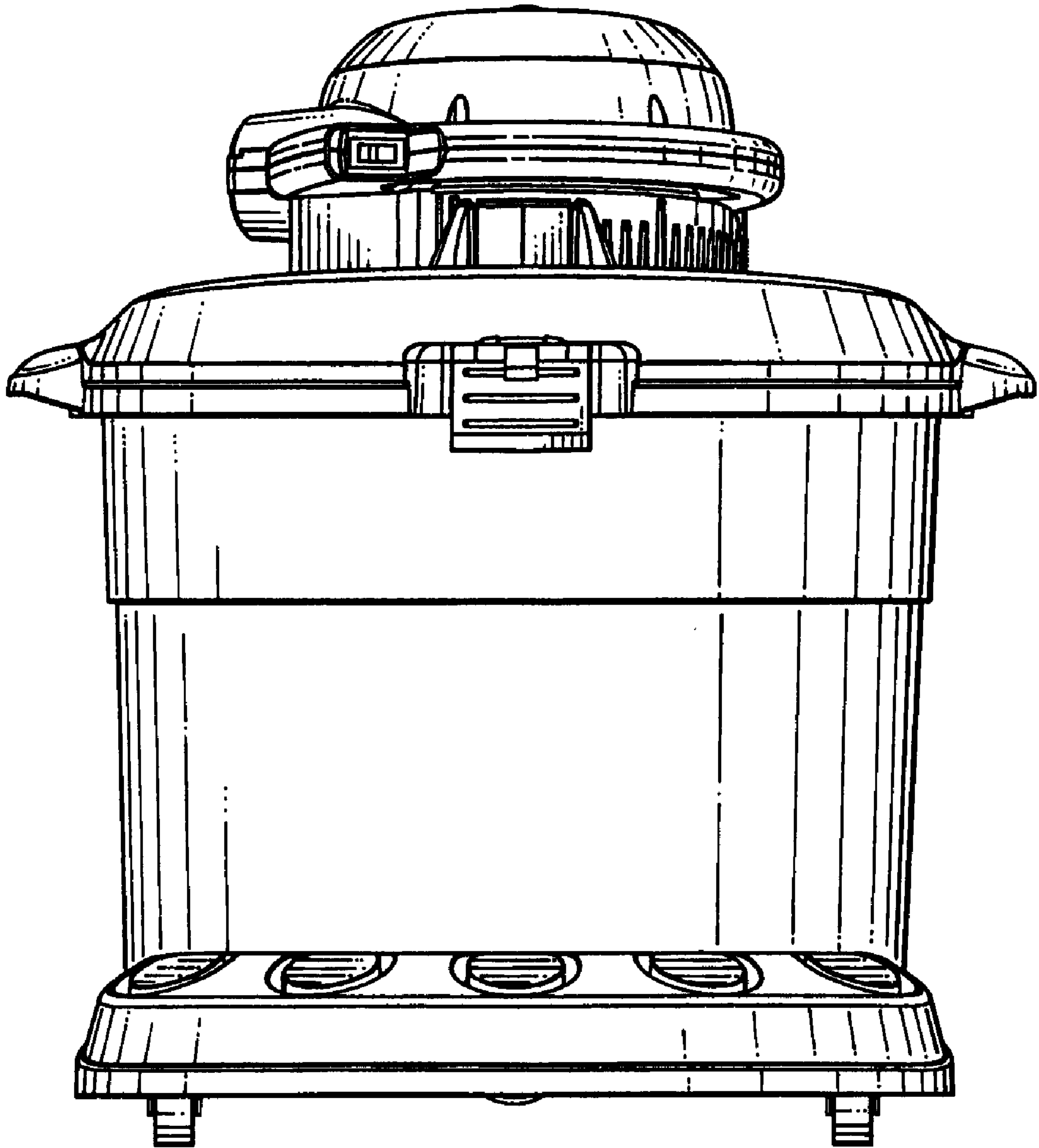
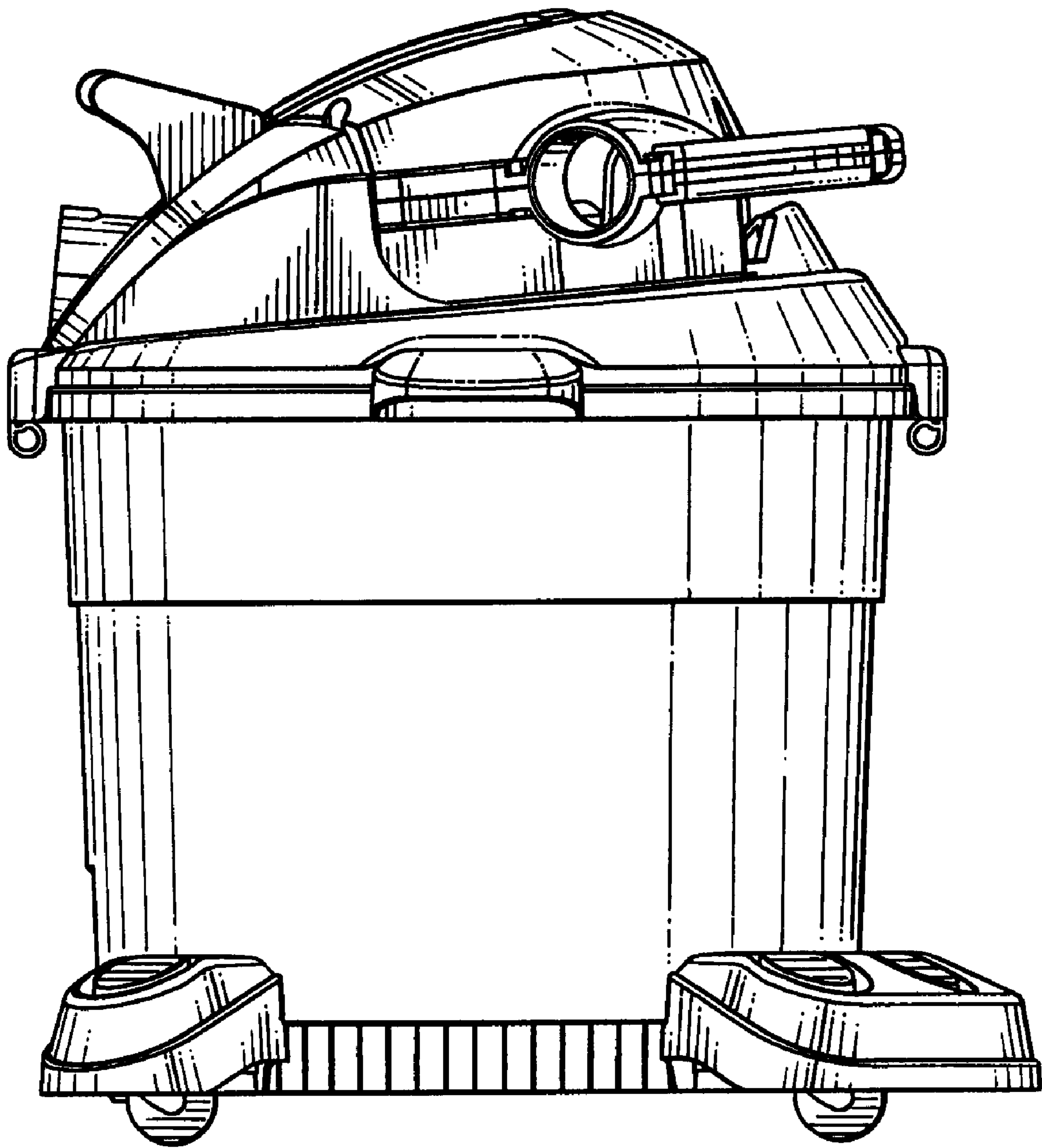
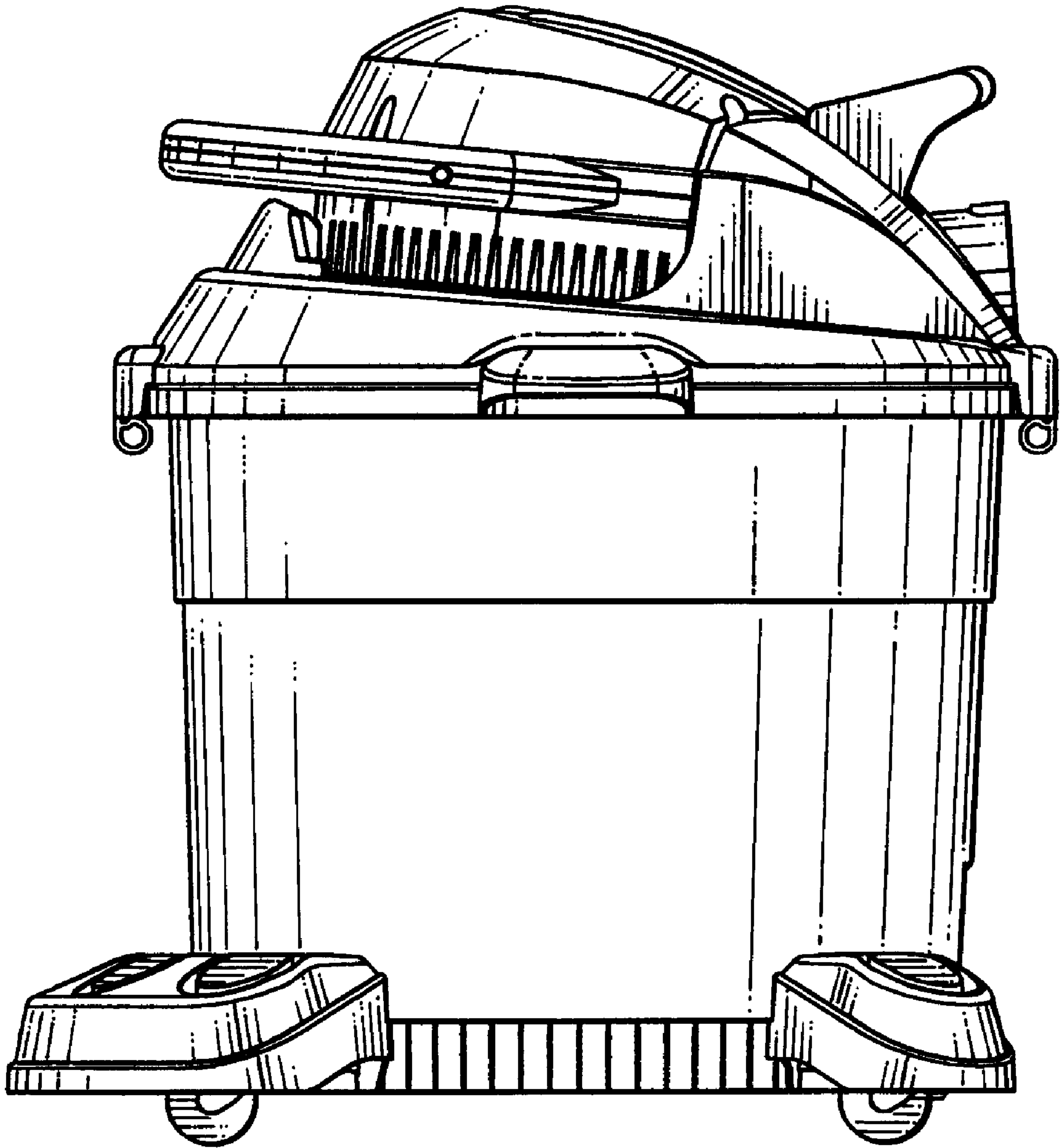


FIG. 5



**FIG. 6**



**FIG. 7**

