



US00D486279S

(12) **United States Design Patent**
Chen

(10) **Patent No.:** **US D486,279 S**

(45) **Date of Patent:** **** Feb. 3, 2004**

(54) **STEAM CLEANER**

(76) Inventor: **Chung-ming Chen**, 2Fl., No.13, Lane
218, Chuan-hsien St., Taipei (TW), 112

(**) Term: **14 Years**

(21) Appl. No.: **29/174,801**

(22) Filed: **Jan. 27, 2003**

(51) **LOC (7) Cl.** **15-05**

(52) **U.S. Cl.** **D32/17**

(58) **Field of Search** D32/17-18, 31-33;
15/344, 353, 329, 320; D23/213, 223, 225-226;
38/3, 14, 69; 122/379; 68/5 A, 222; 392/405,
404

(56) **References Cited**

U.S. PATENT DOCUMENTS

5,920,952 A * 7/1999 Baldacci 15/320
D433,546 S * 11/2000 Milanese D32/22
6,148,144 A * 11/2000 Milanese 392/405

6,289,551 B1 * 9/2001 Simac-Vetrella
6,571,421 B1 * 6/2003 Sham et al. 15/320
6,584,990 B2 * 7/2003 Shaw 134/105

* cited by examiner

Primary Examiner—Ruth McInroy
(74) *Attorney, Agent, or Firm*—Bacon & Thomas, PLLC

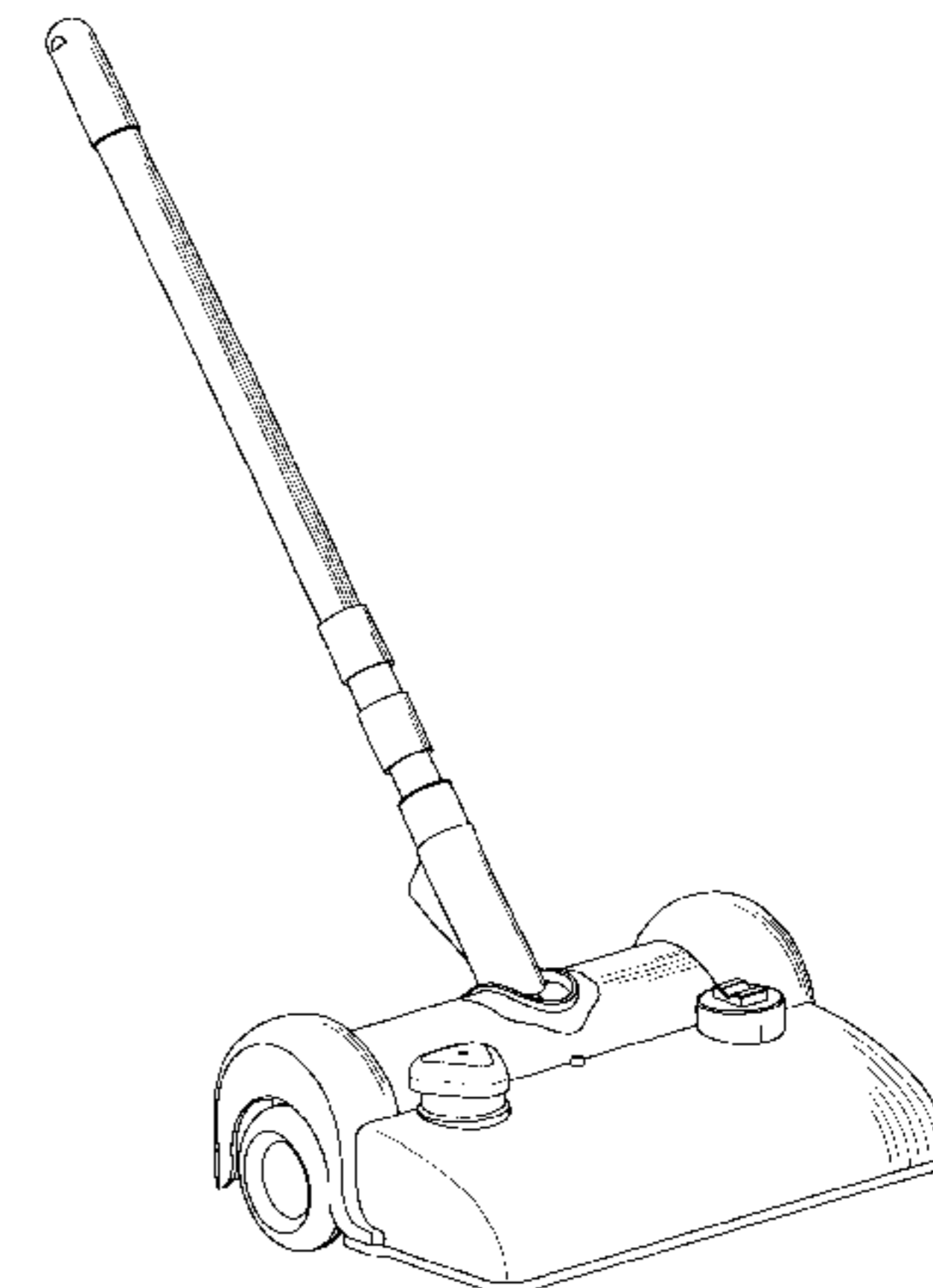
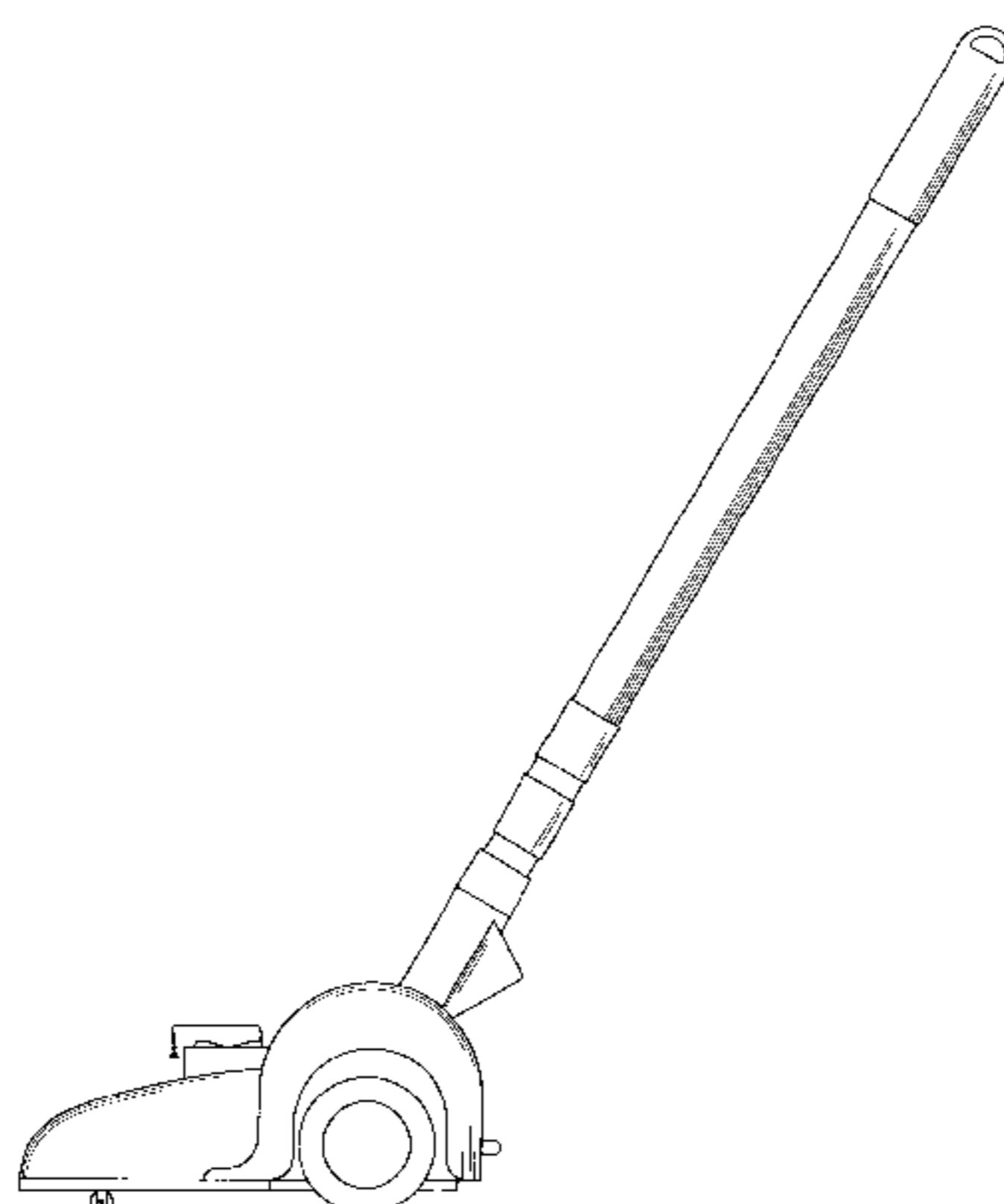
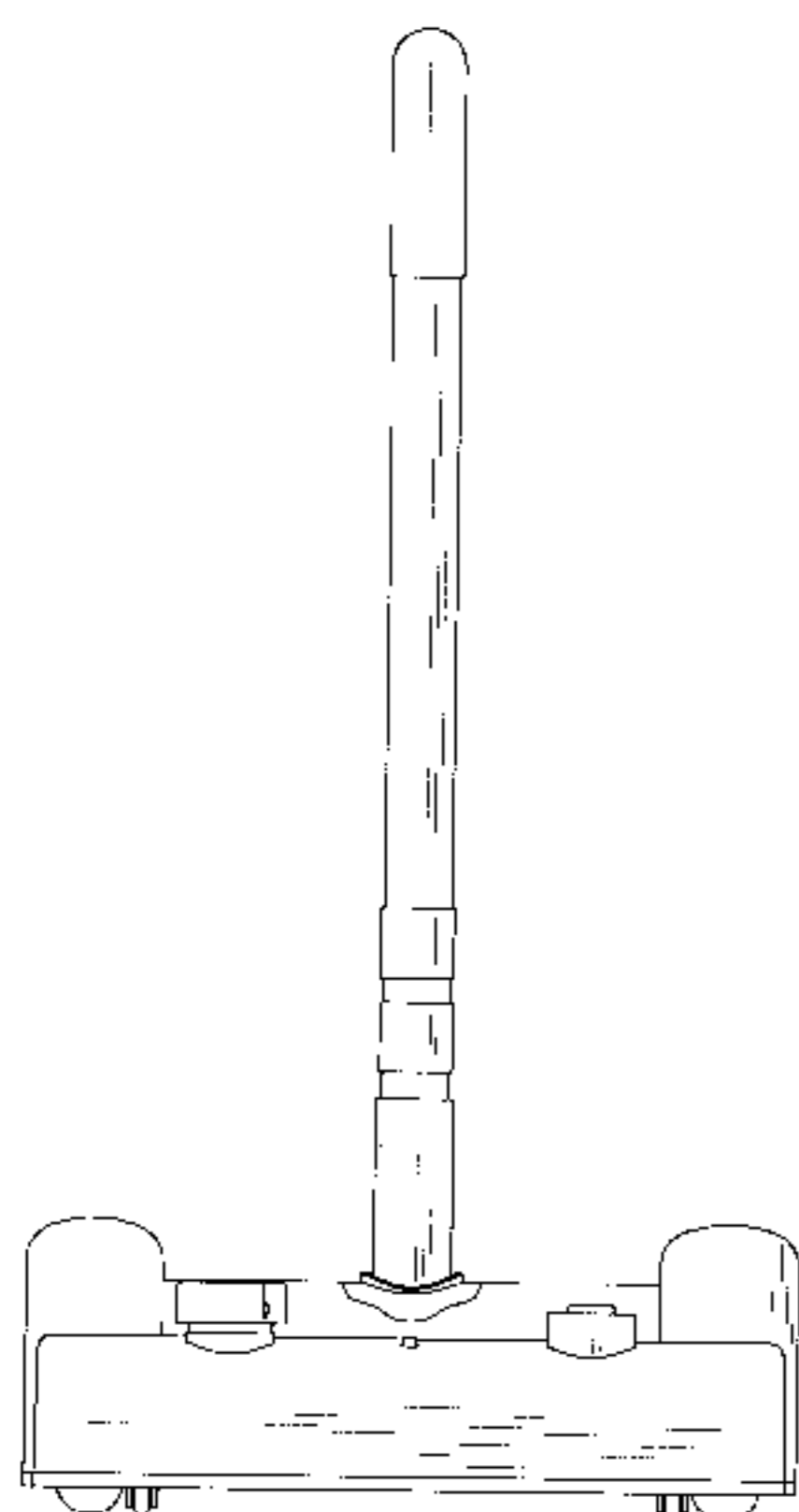
(57) **CLAIM**

The ornamental design for a steam cleaner, as shown and described.

DESCRIPTION

FIG. 1 is a front elevational view of a steam cleaner showing my design;
FIG. 2 is a rear elevational view thereof;
FIG. 3 is a left side elevational view thereof;
FIG. 4 is a right side elevational view thereof;
FIG. 5 is a top plan view thereof;
FIG. 6 is a bottom plan view thereof; and,
FIG. 7 is a perspective view thereof.

1 Claim, 4 Drawing Sheets



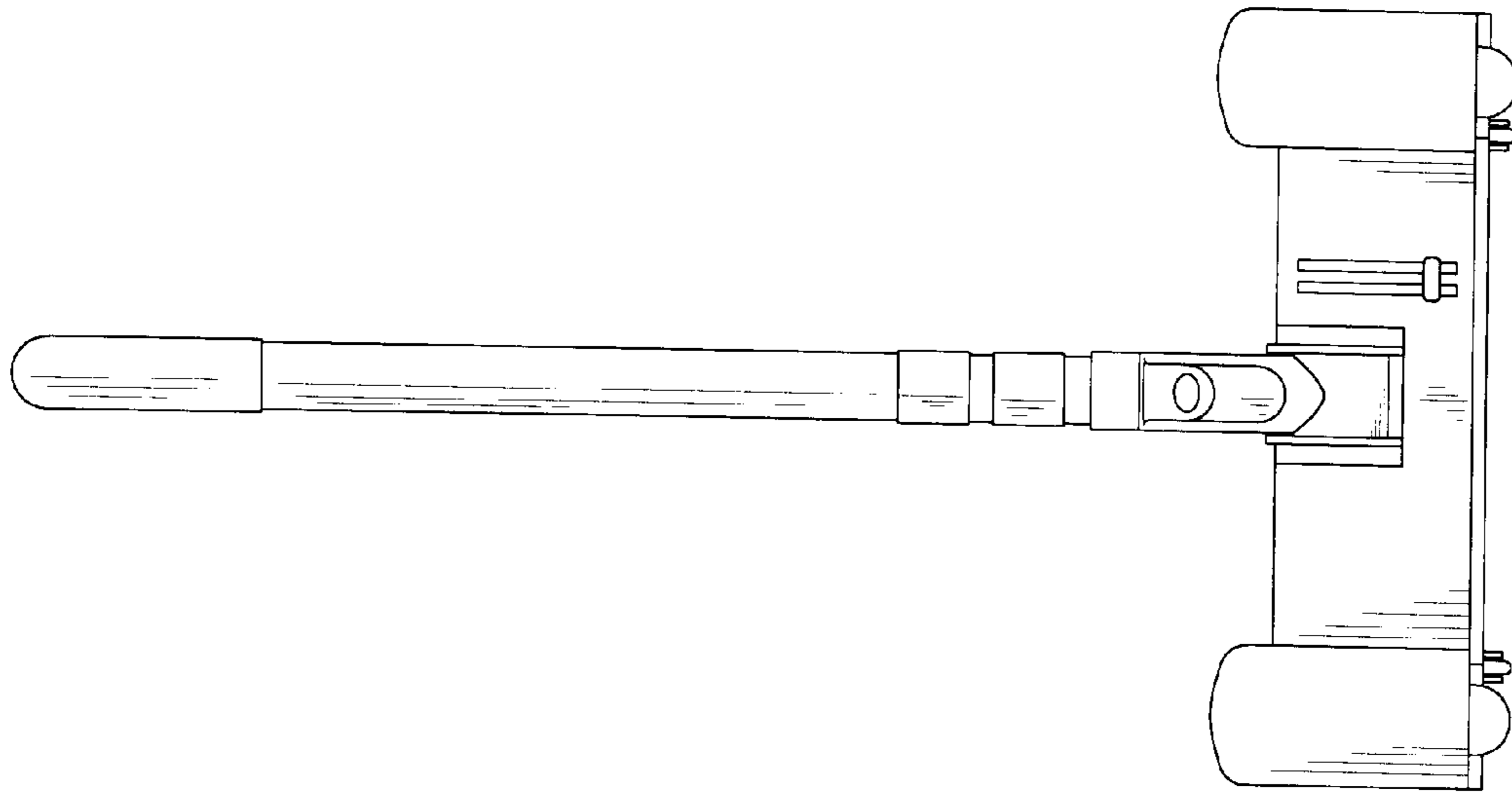


FIG.2

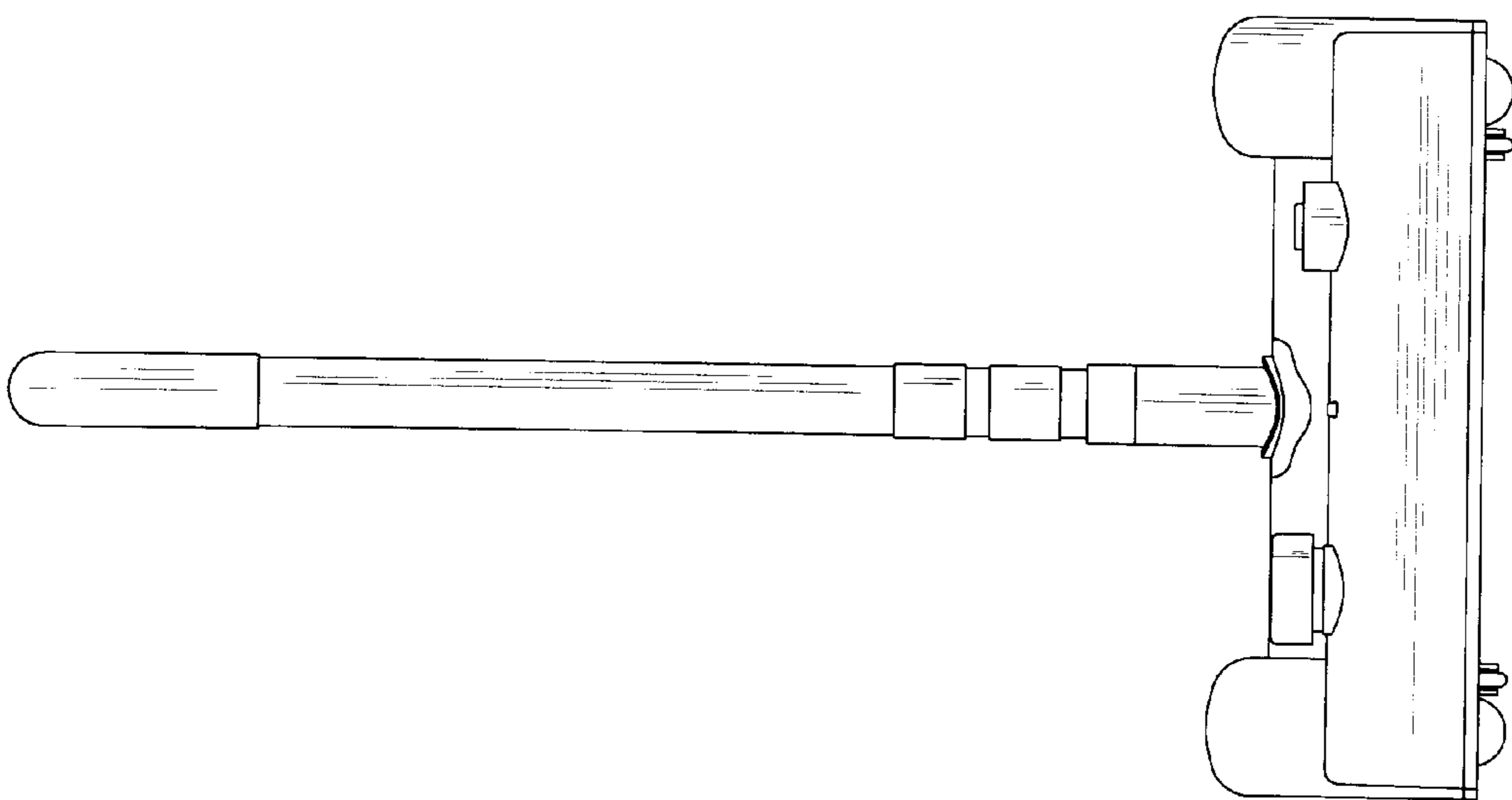


FIG.1

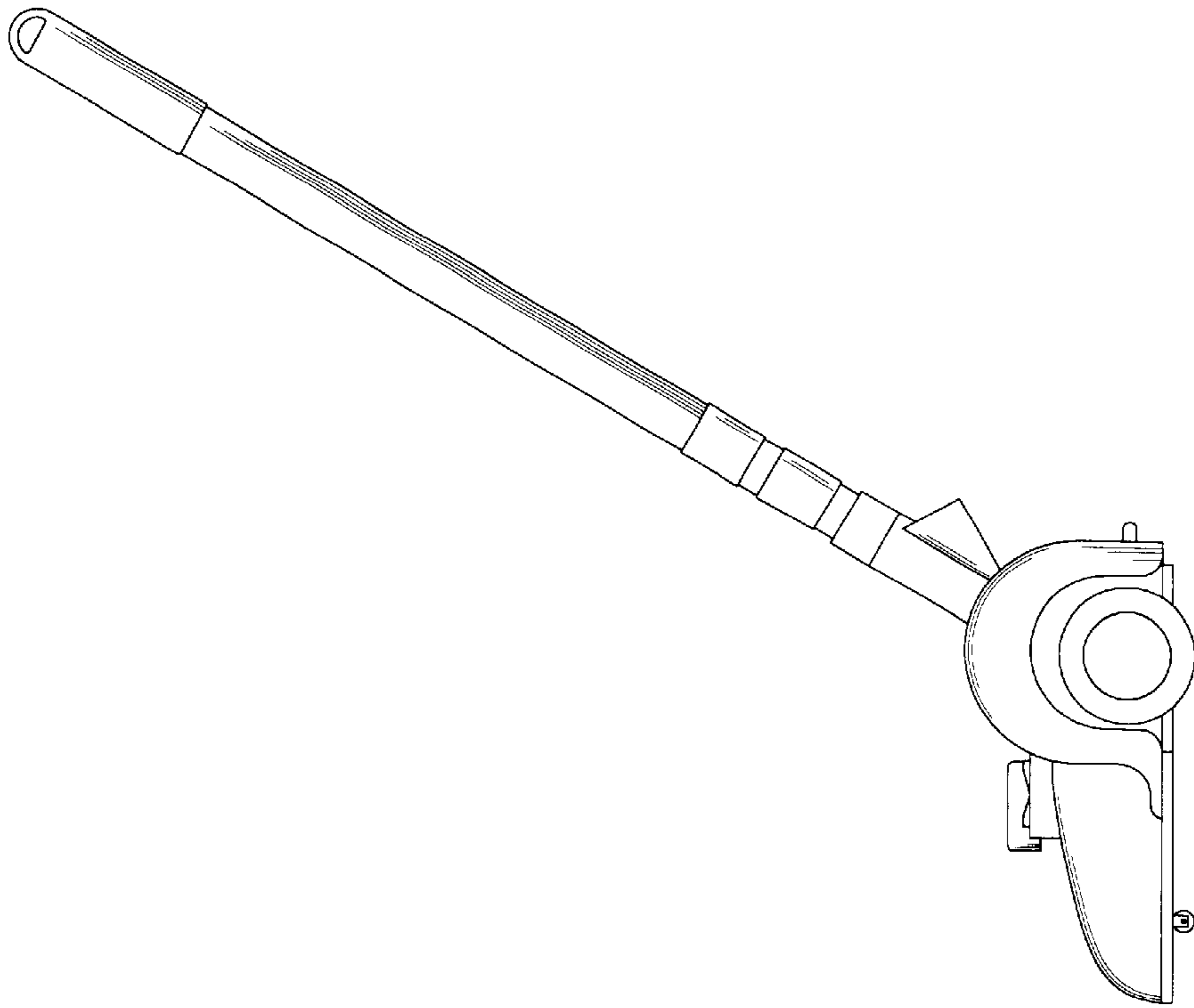


FIG.4

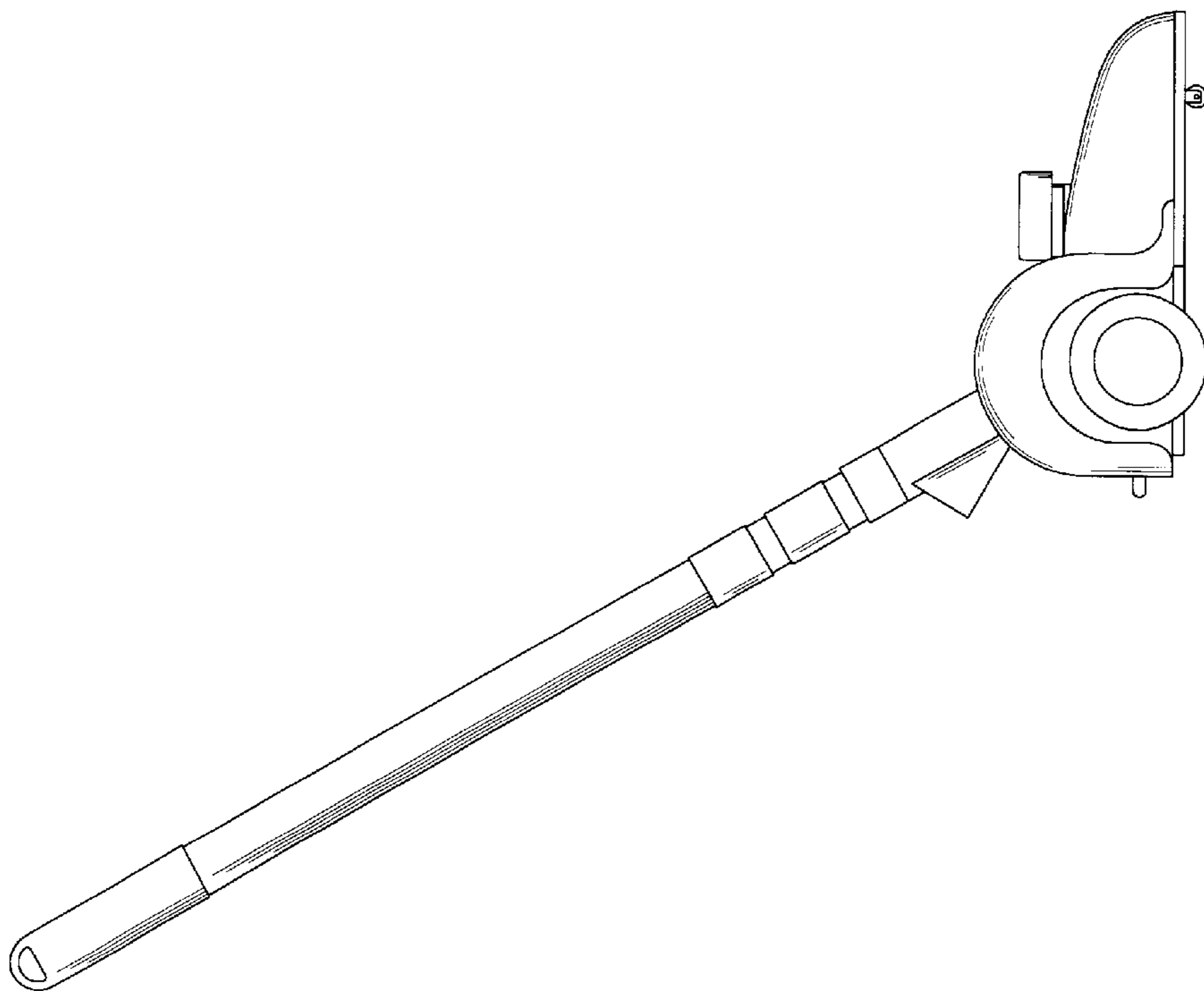


FIG.3

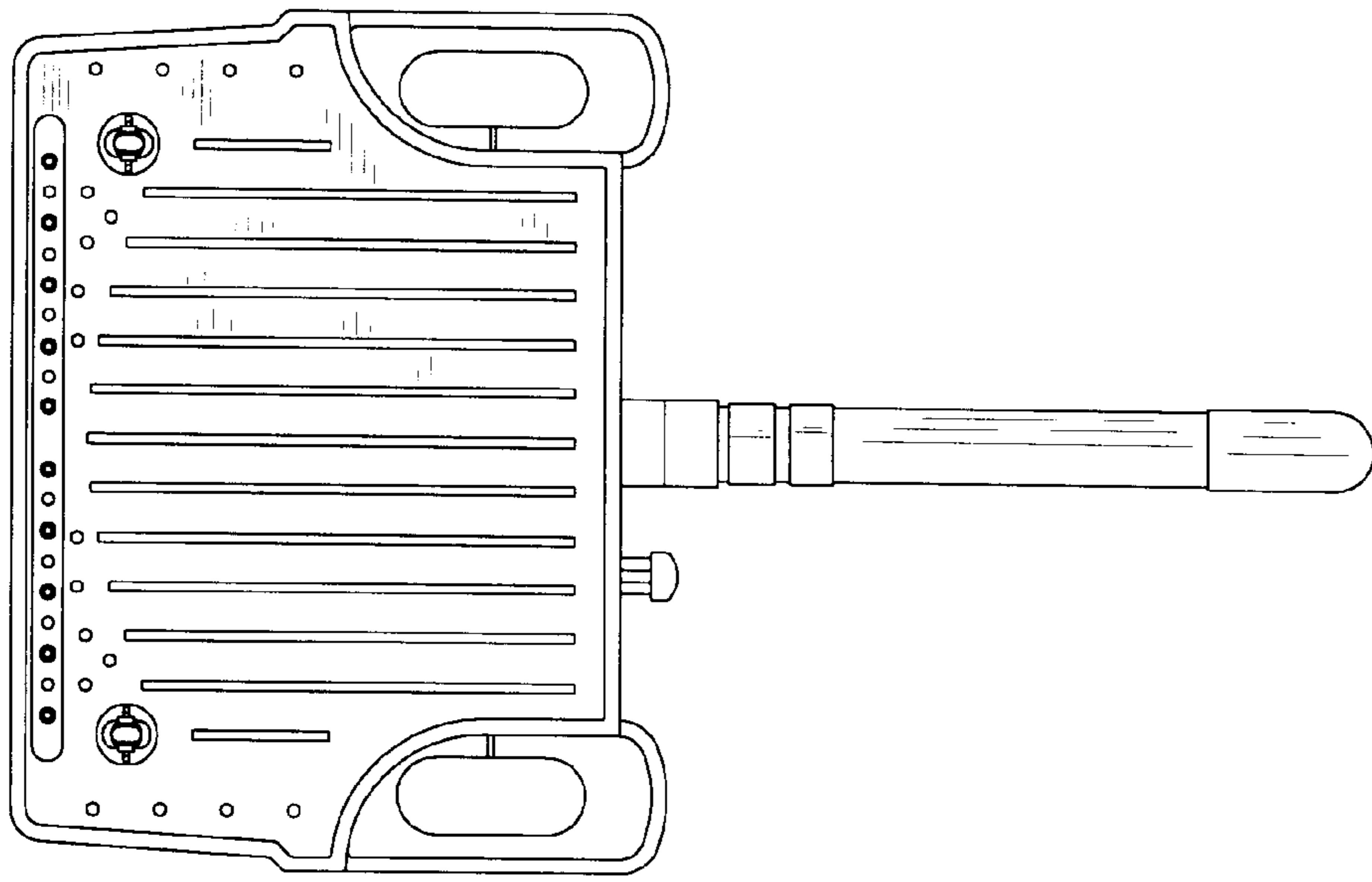


FIG.6

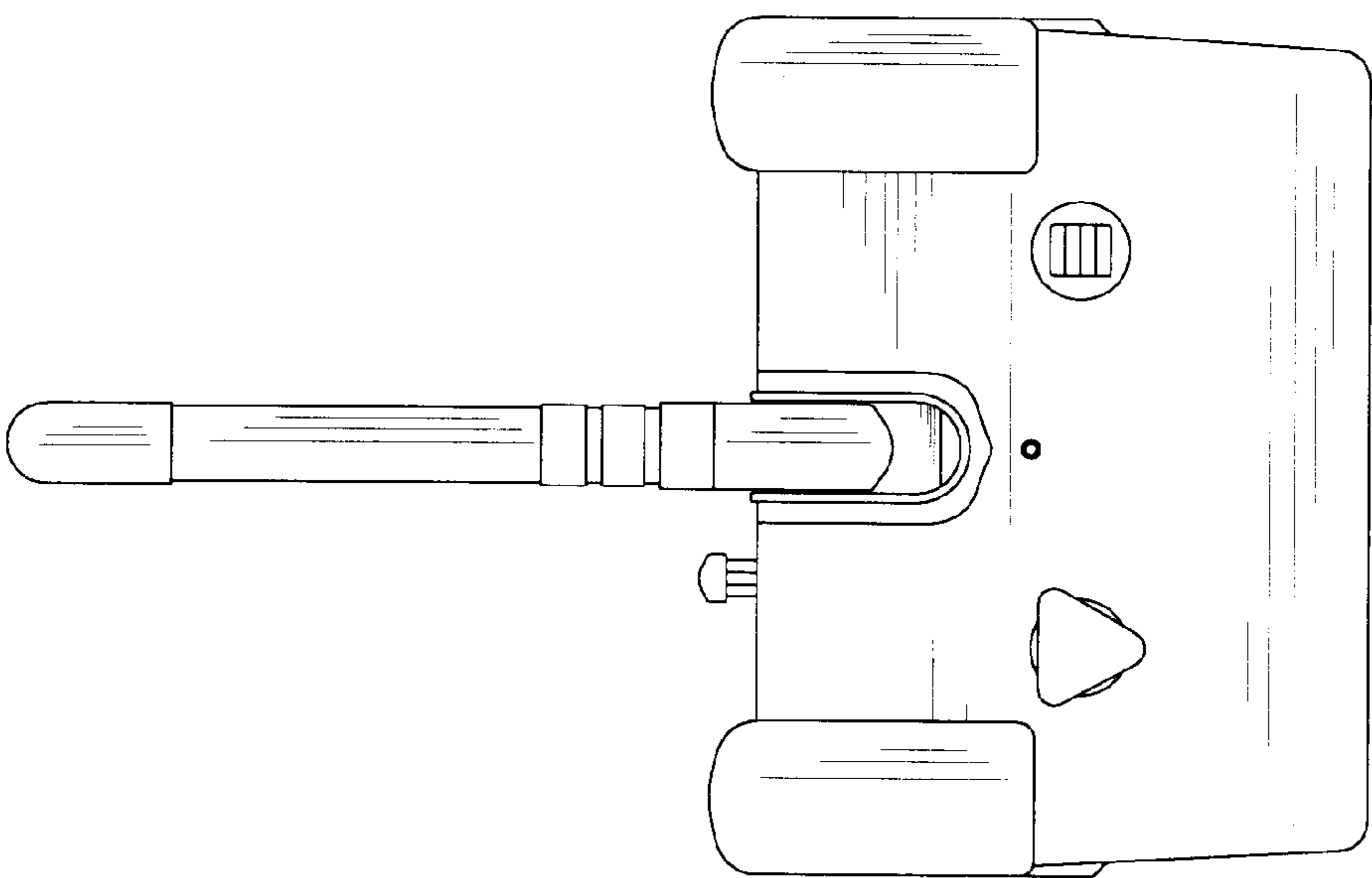


FIG.5

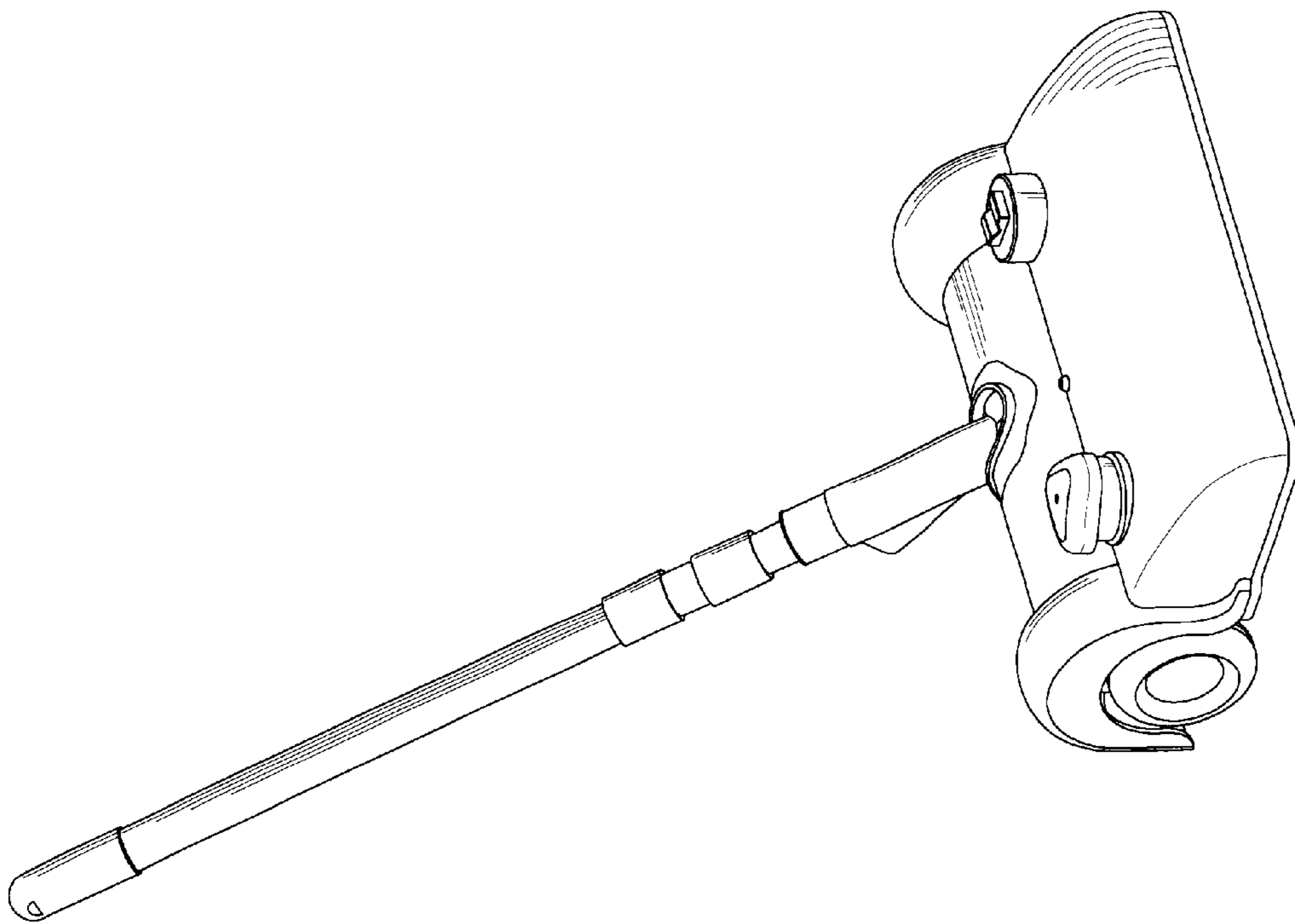


FIG.7