



US00D486278S

(12) **United States Design Patent**
Nauert

(10) **Patent No.:** **US D486,278 S**

(45) **Date of Patent:** **** Feb. 3, 2004**

(54) **HUMMINGBIRD FEEDER SHADE**

(76) Inventor: **Uta Nauert**, 7460 N. River Rd.,
Milwaukee, WI (US) 53217

(**) Term: **14 Years**

(21) Appl. No.: **29/175,078**

(22) Filed: **Jan. 29, 2003**

(51) **LOC (7) Cl.** **30-99**

(52) **U.S. Cl.** **D30/199; D30/124; D26/118;**
119/57.9

(58) **Field of Search** **D30/199, 151;**
D3/5; D1/105, 118; D11/130, 154; 119/72,
52.1, 52.2, 52.3, 52.4, 459, 469, 57.8, 470,
57.9; D21/503; 52/101, 741.3; D26/118,
123-124, 55, 101

(56) **References Cited**

U.S. PATENT DOCUMENTS

D107,761 S	*	1/1938	Fair	D1/118
4,031,856 A		6/1977	Chester		
4,102,308 A		7/1978	Kilham		
4,821,681 A		4/1989	Tucker		
4,901,673 A		2/1990	Overstreet		
5,191,857 A		3/1993	Boaz		
5,289,796 A	*	3/1994	Armstrong	119/52.3
5,628,277 A		5/1997	Machado		
D408,573 S	*	4/1999	Kay	D26/68
5,893,335 A		4/1999	Goodwin		
D429,852 S		8/2000	Hogarty		
6,213,678 B1	*	4/2001	Doelling et al.	403/353
6,269,769 B1		8/2001	Wenstrand		

OTHER PUBLICATIONS

Perkey Pet Brand Hummingbird Feeder, no date, pp. 1-5.
Hummingbird Feeders, Hummingbirds.net, no date, pp. 1-8.
Wild Birds Unlimited, Your Backyard Bird Feeding Hobby
Guide, no date, pp. 1-8.
Aspects, Wild Bird Feeders Thermometers and Accessories,
2000, pp. 1-16.

* cited by examiner

Primary Examiner—Pamela Burgess

(57) **CLAIM**

The ornamental design for a hummingbird feeder shade, as
shown and described herein.

DESCRIPTION

FIG. 1 is a perspective view of a hummingbird feeder shade
in accordance with the present invention.

FIG. 2 is a front elevational view of the hummingbird feeder
shade of FIG. 1.

FIG. 3 is a rear elevation view of the hummingbird feeder
shade of FIG. 1.

FIG. 4 is a right side elevational view of the hummingbird
feeder shade of FIG. 1.

FIG. 5 is a top plan view of the hummingbird feeder shade
of FIG. 1; and,

FIG. 6 is a bottom plan view of the hummingbird feeder
shade of FIG. 1.

The broken lines shown in all figures are for illustrative
purposes only and form no part of the claimed design.

1 Claim, 4 Drawing Sheets

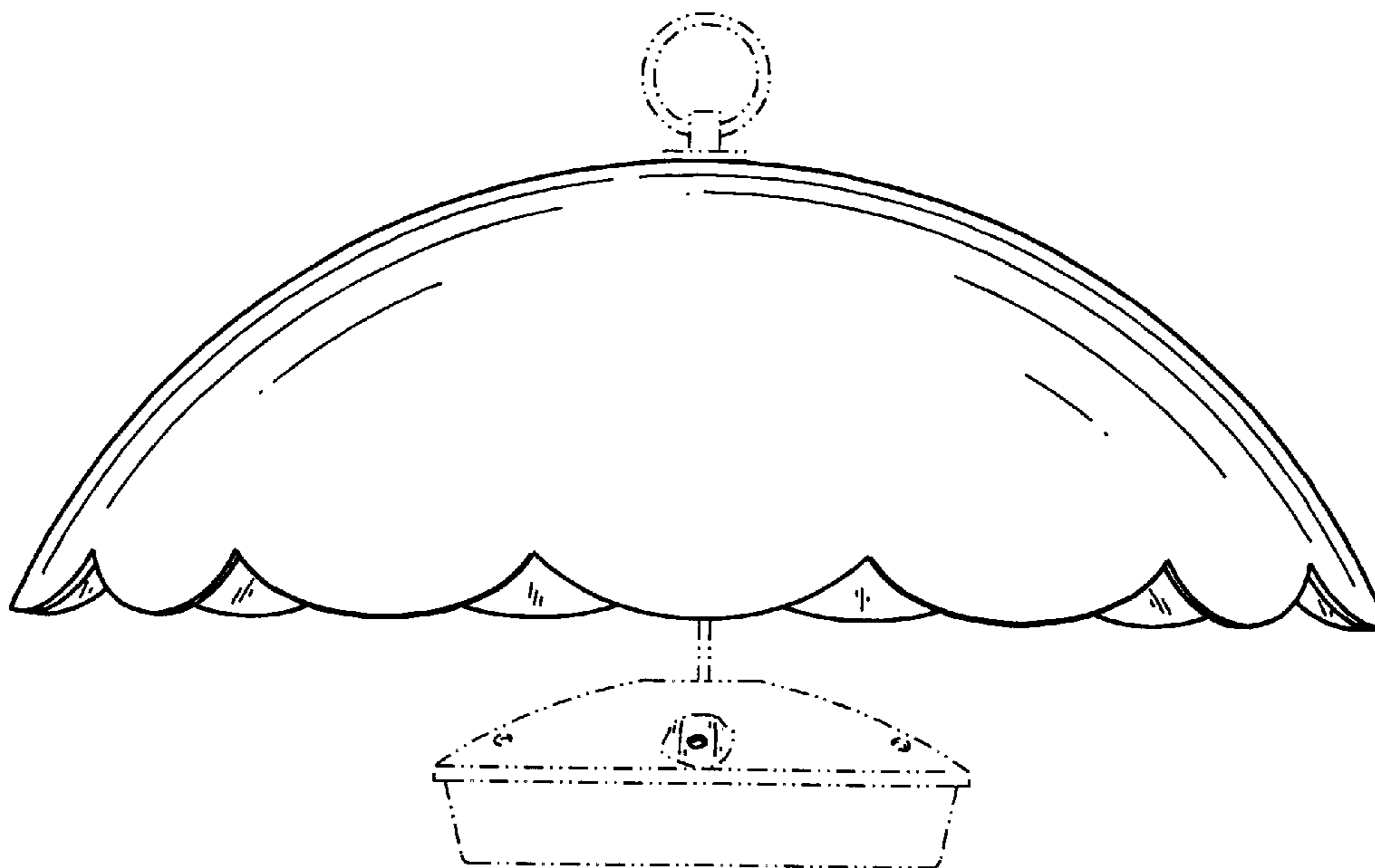


FIG. 1

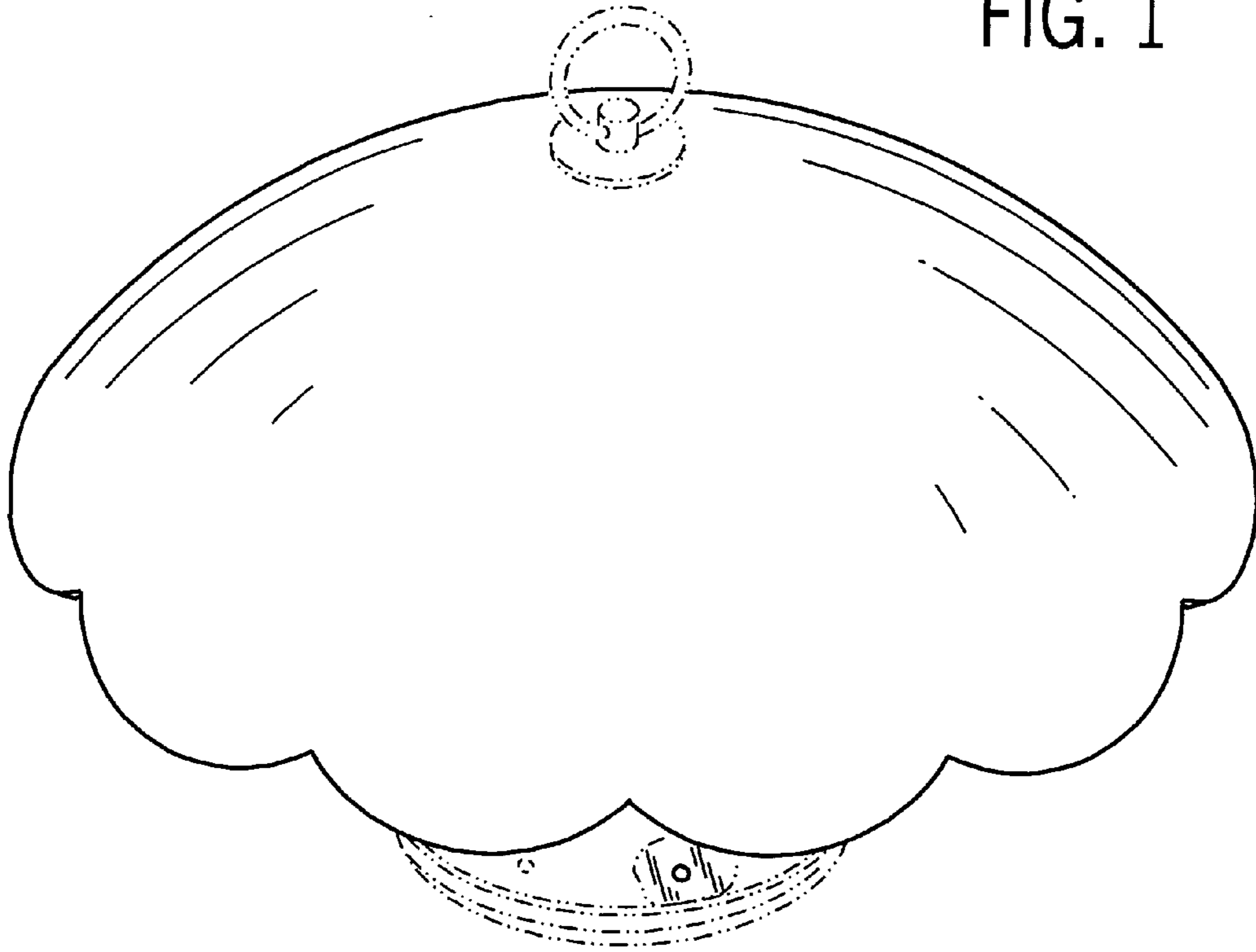


FIG. 2

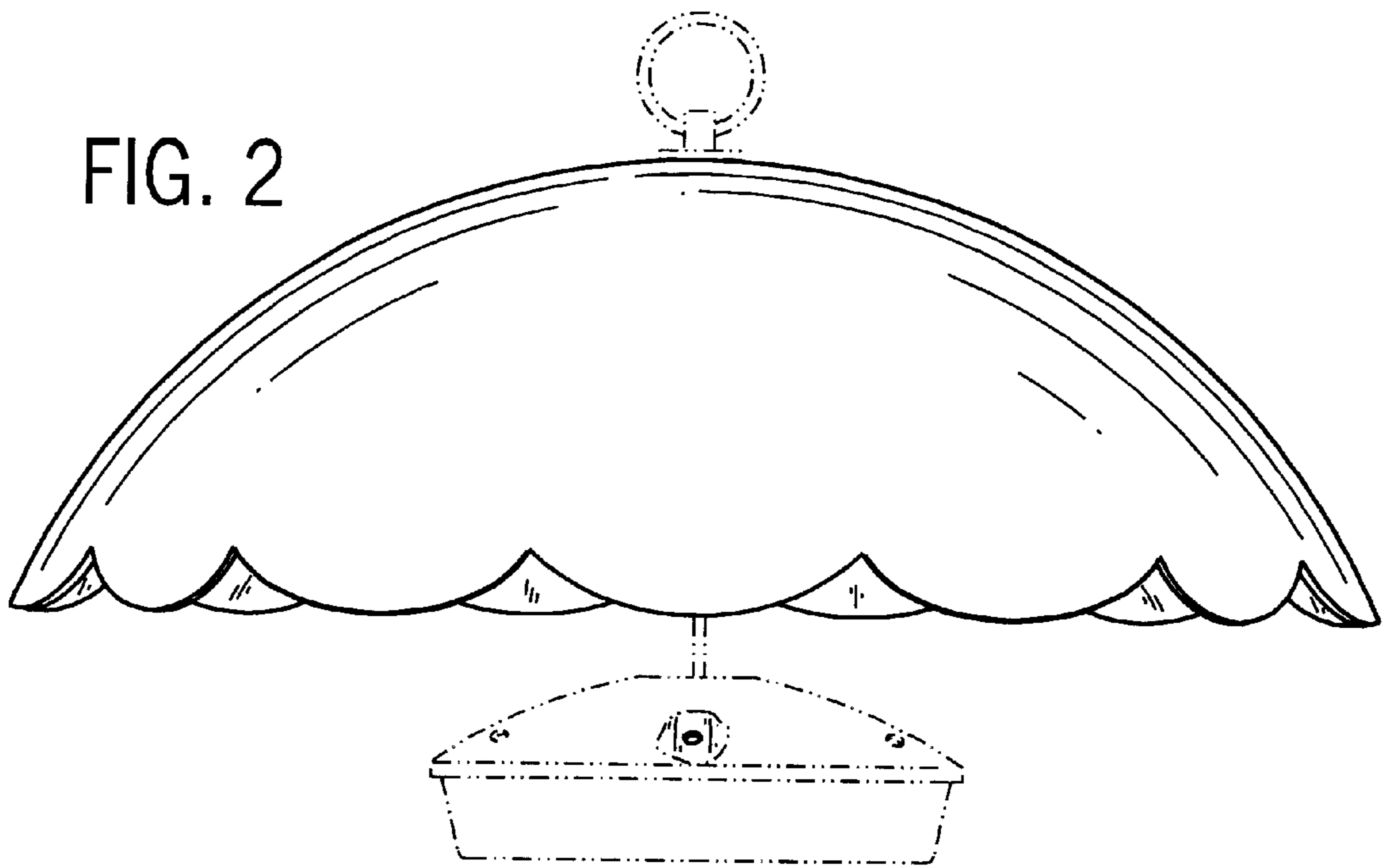


FIG. 3

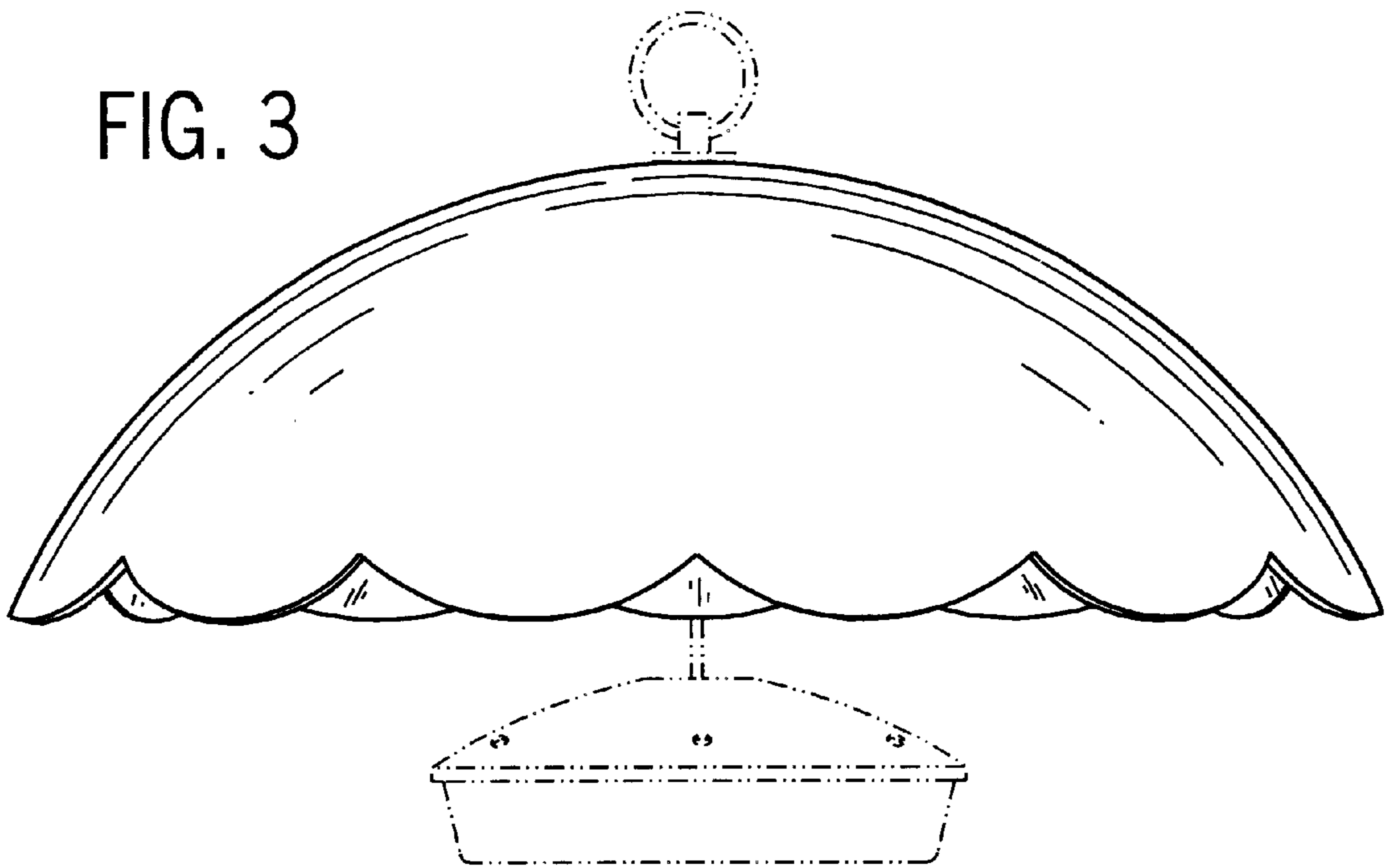


FIG. 4

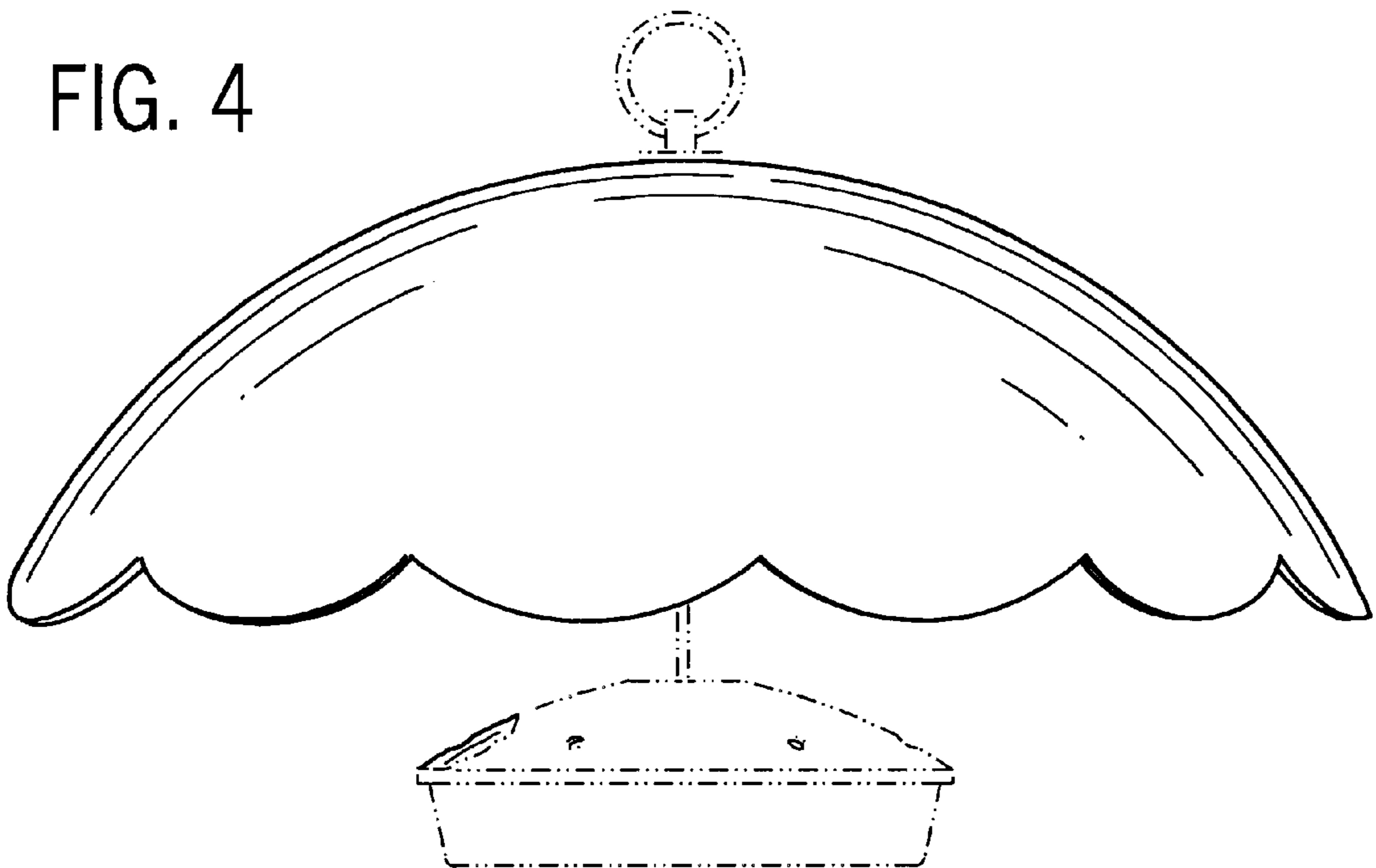


FIG. 5

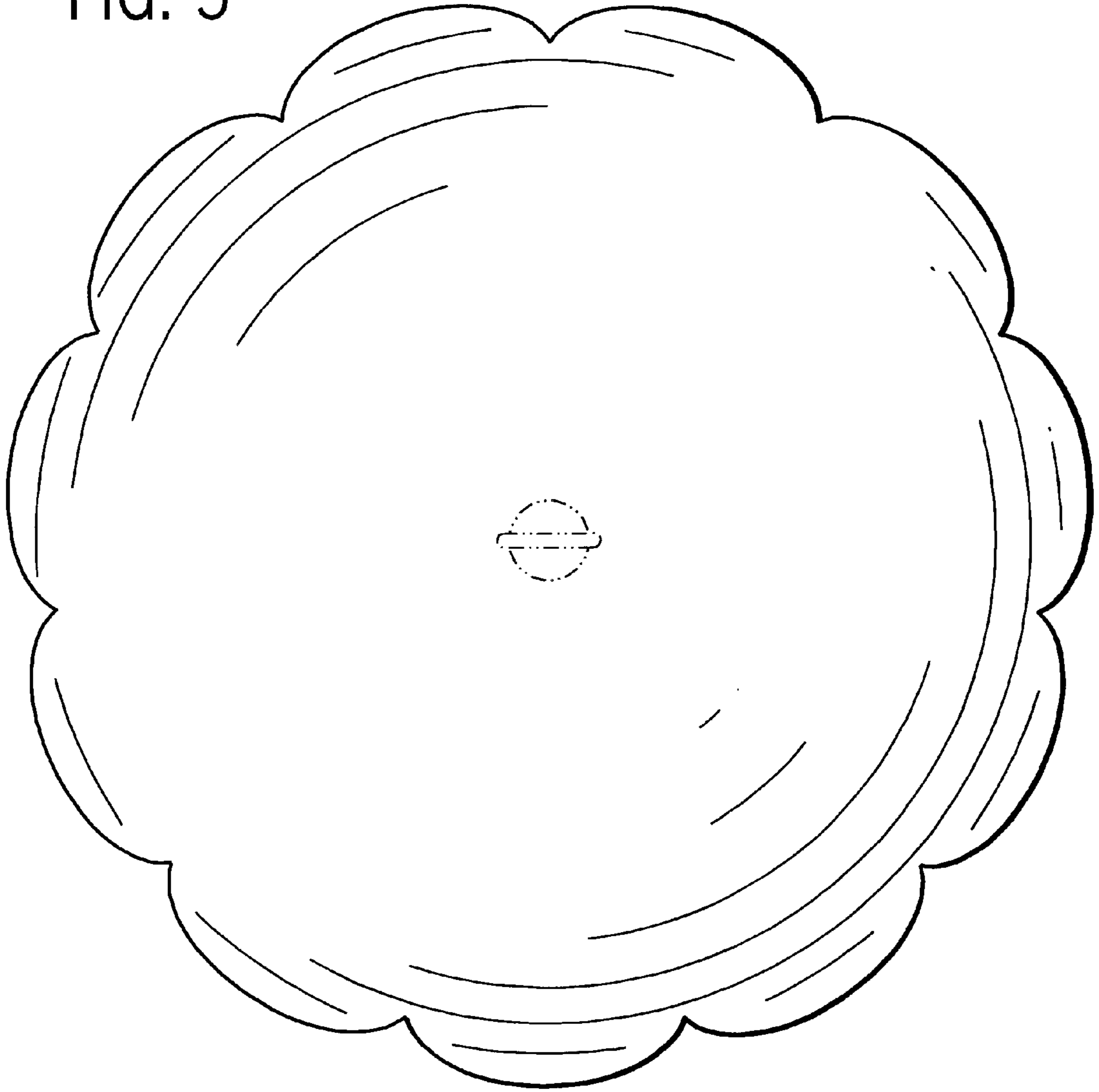


FIG. 6

