



US00D486273S

(12) **United States Design Patent**
Tsengas

(10) **Patent No.:** **US D486,273 S**

(45) **Date of Patent:** **** Feb. 3, 2004**

(54) **ADJUSTABLE HEIGHT PET FEEDER**

(74) *Attorney, Agent, or Firm*—John D. Gugliotta

(76) **Inventor:** **Steven Tsengas**, 1300 East St., Fairport Harbor, OH (US) 44077

(57) **CLAIM**

(**) **Term:** **14 Years**

The ornamental design for an adjustable height pet feeder, as shown and described.

(21) **Appl. No.:** **29/180,190**

DESCRIPTION

(22) **Filed:** **Apr. 21, 2003**

(51) **LOC (7) Cl.** **30-03**

(52) **U.S. Cl.** **D30/130**

(58) **Field of Search** D30/129, 130,
D30/131, 133, 121; D7/584, 541; 119/51.05,
61, 63, 59, 51.5

FIG. 1 is an exploded perspective view of an adjustable height pet feeder showing my new design;

FIG. 2 is a front elevation view with the opposite side being identical thereto;

FIG. 3 is a side elevation view with the opposite side being identical thereto;

FIG. 4 is a top plan view thereof;

FIG. 5 is a bottom plan view thereof;

FIG. 6 is an enlarged perspective view of the shim support element (as seen in FIG. 12) shown separately for clarity of disclosure;

FIG. 7 is a top plan view of the shim element;

FIG. 8 is a bottom plan view of the shim element;

FIG. 9 is a side plan view of the shim element;

FIG. 10 is a side plan view of the shim element opposite to the side plan view of FIG. 9;

FIG. 11 is a longitudinal view of the shim element; and,

FIG. 12 is a perspective view of the top inverted to illustrate the shim element housed on the underside of the top.

(56) **References Cited**

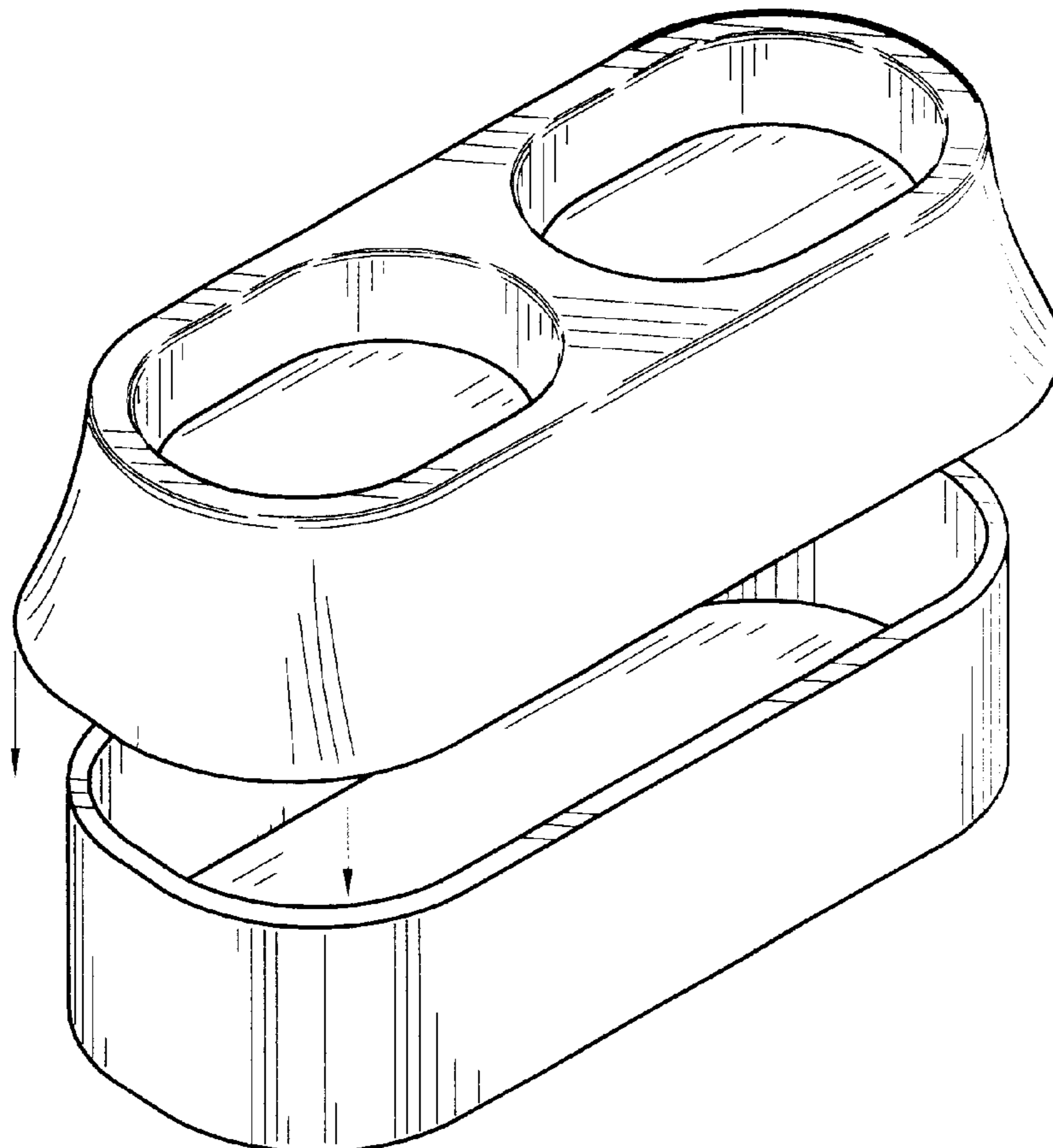
U.S. PATENT DOCUMENTS

D160,121 S	*	9/1950	Pokras	D7/541
D232,564 S	*	8/1974	Kissin	D30/129
D313,489 S	*	1/1991	Conner	D30/130
5,775,255 A	*	7/1998	Louviere, III	119/51.5
6,145,474 A	*	11/2000	Lemkin	119/61
D449,137 S	*	10/2001	Newman	D30/129
6,427,626 B1	*	8/2002	Quinlan et al.	119/51.01

* cited by examiner

Primary Examiner—Pamela Burgess

1 Claim, 6 Drawing Sheets



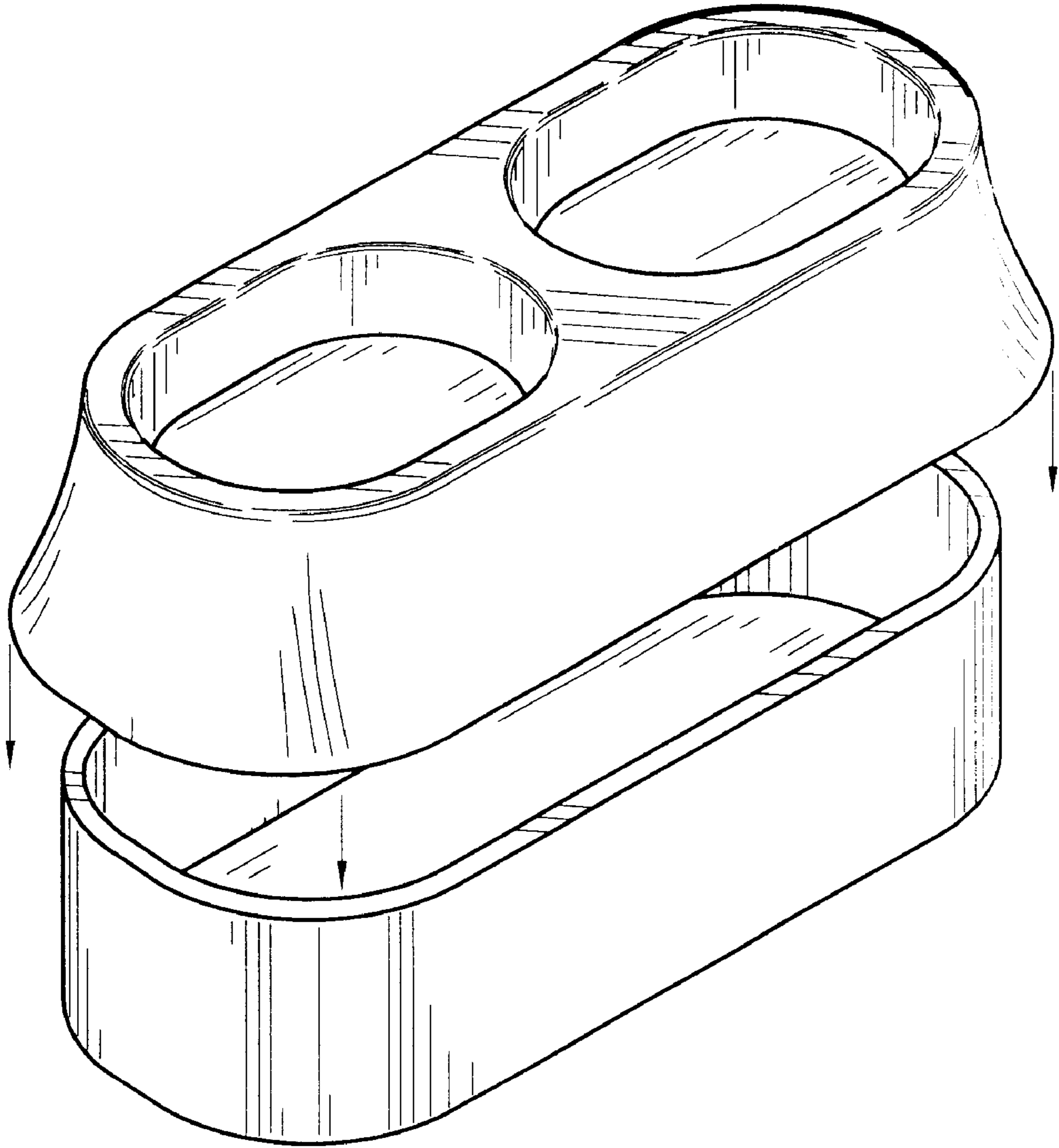


Fig. 1

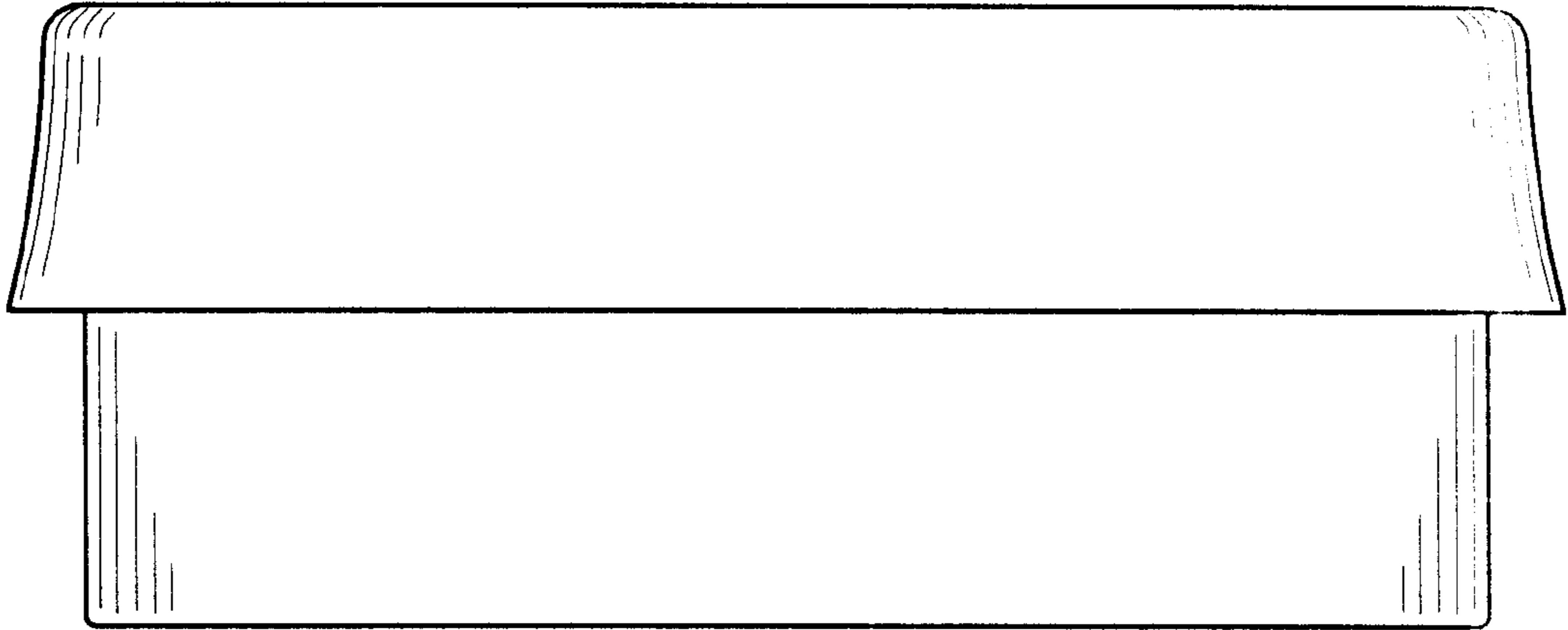


Fig. 2

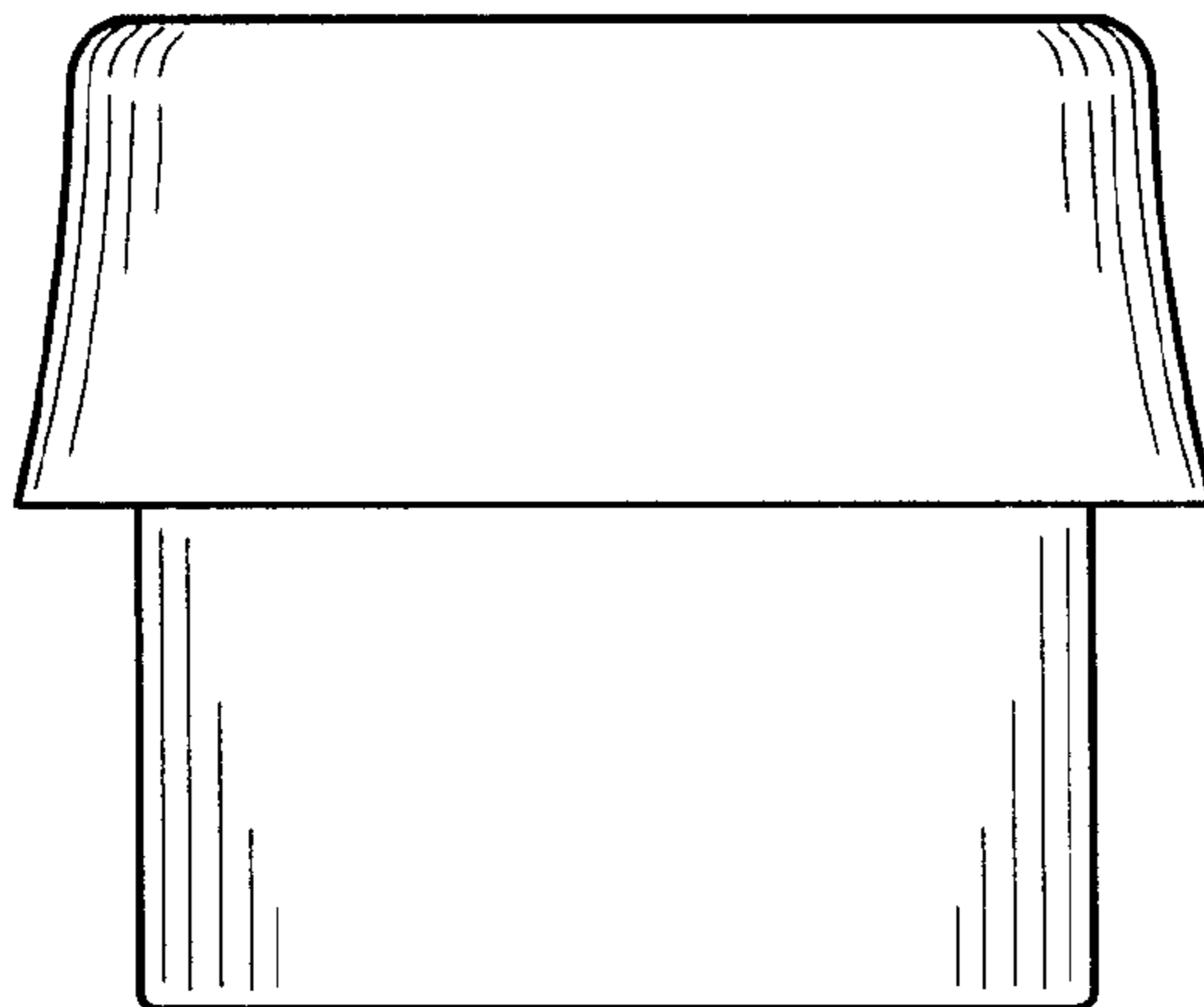


Fig. 3

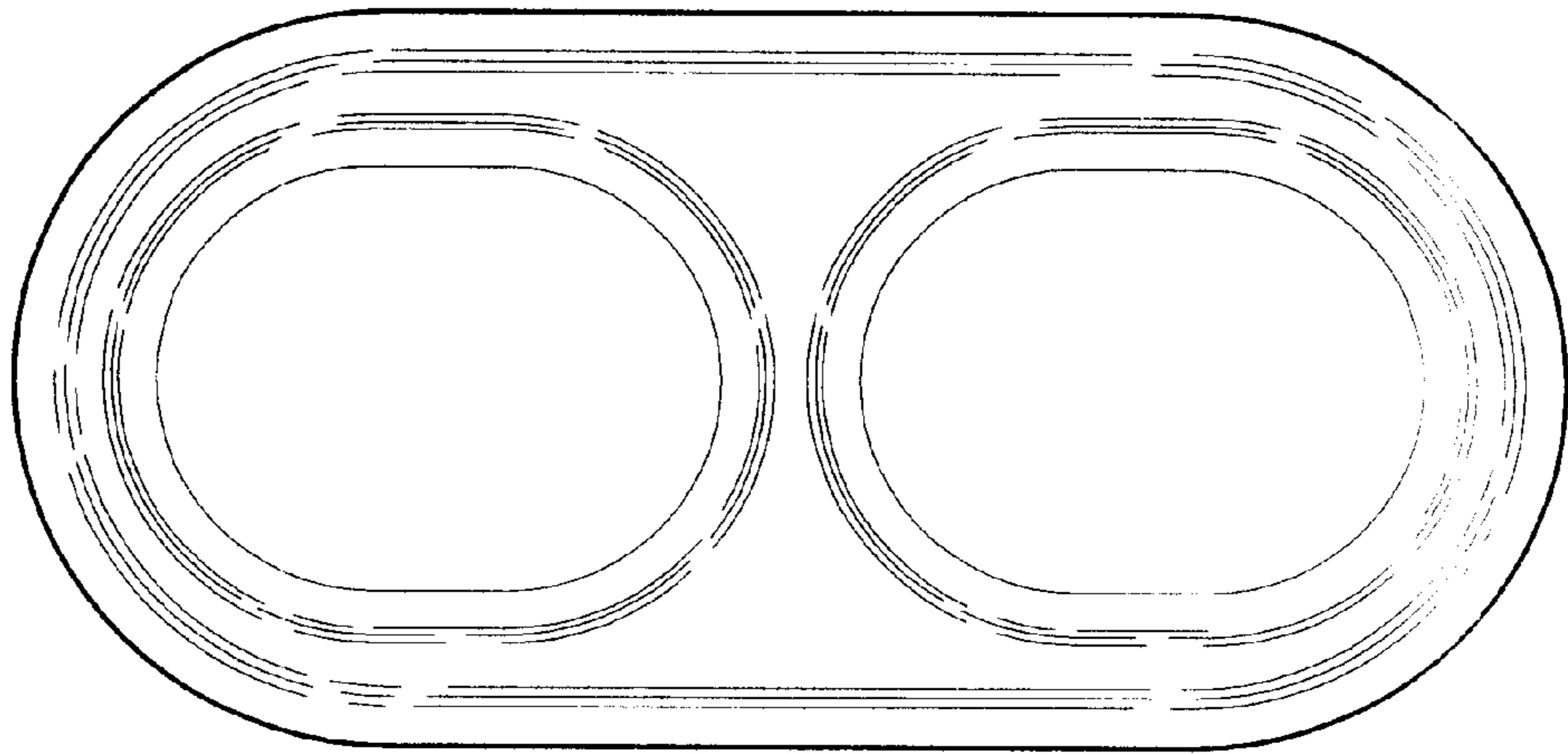


Fig. 4

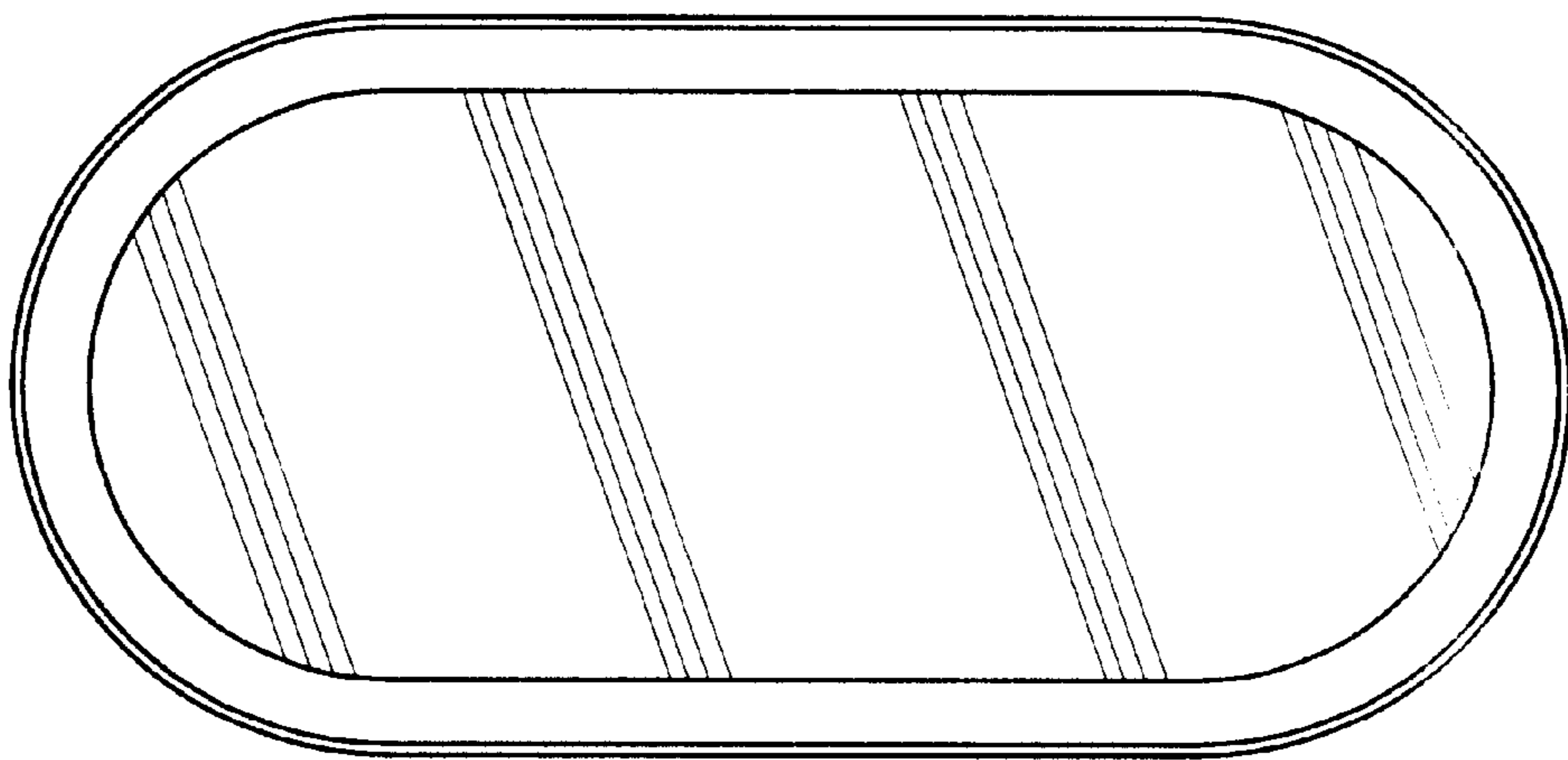


Fig. 5

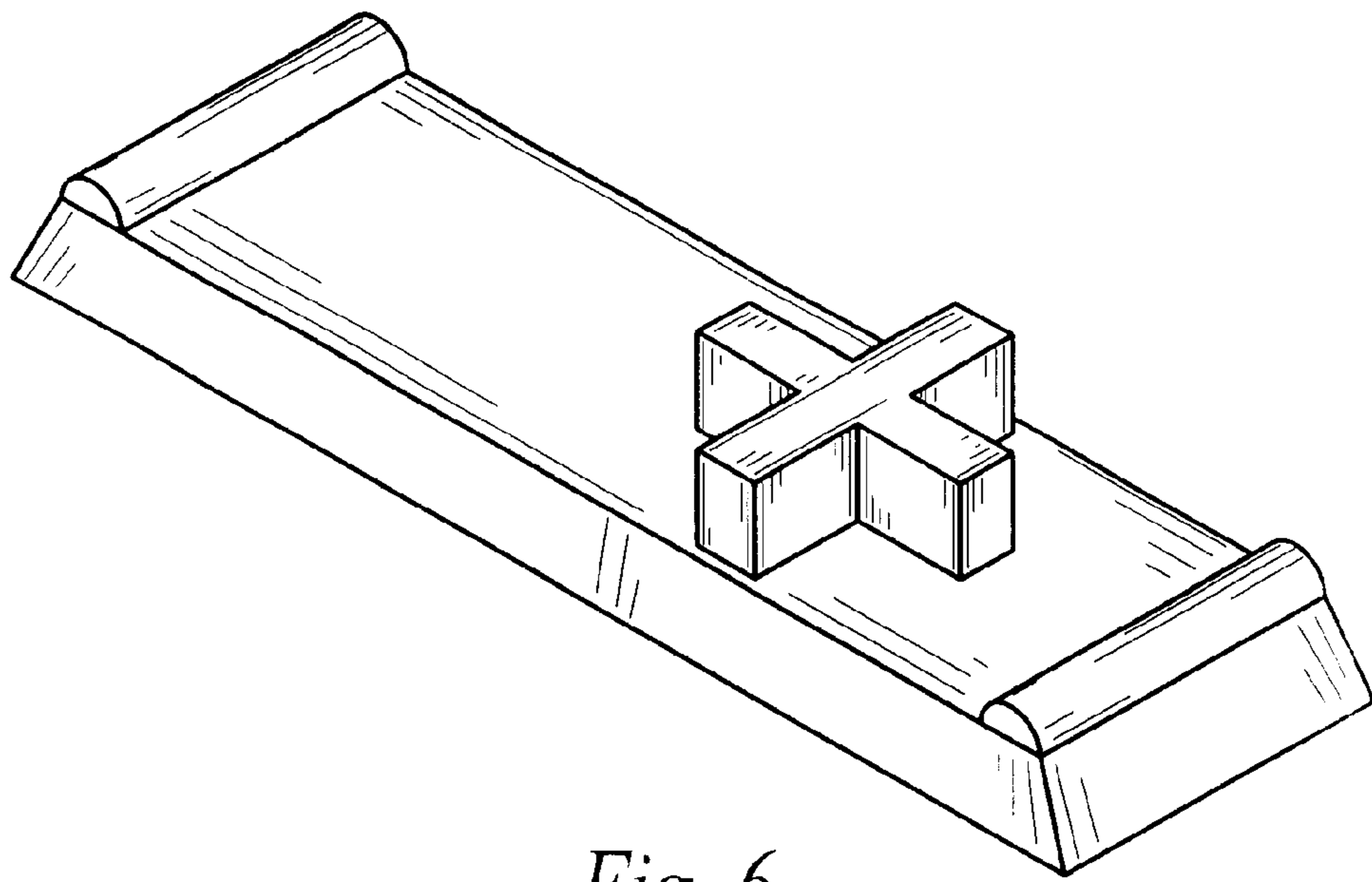


Fig. 6

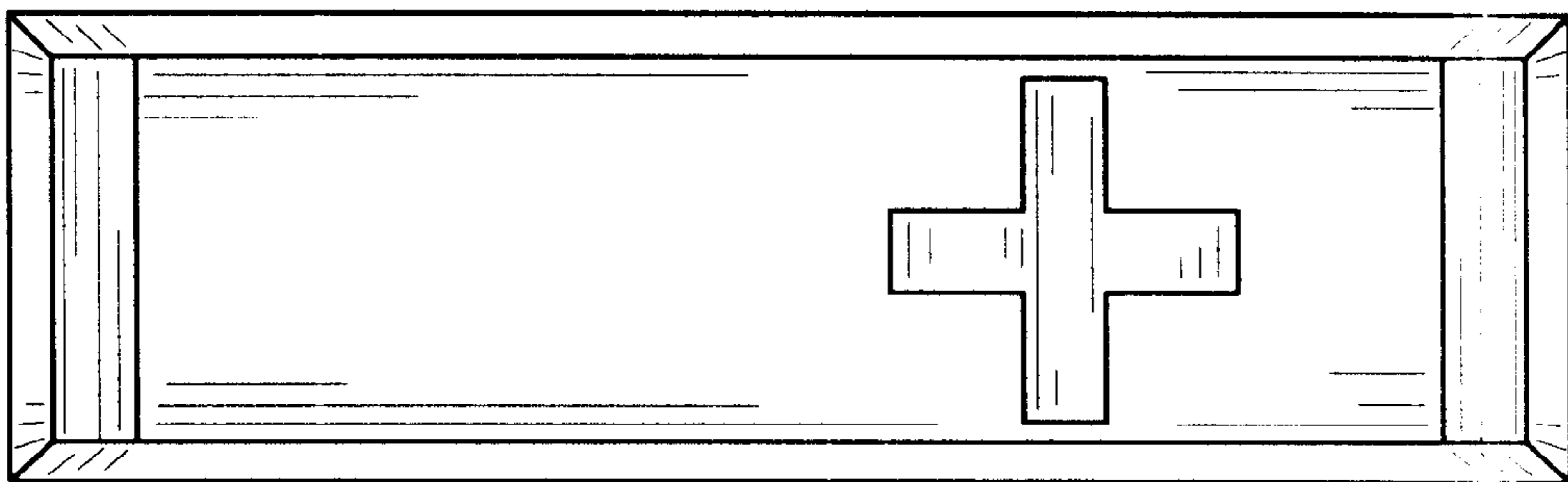


Fig. 7

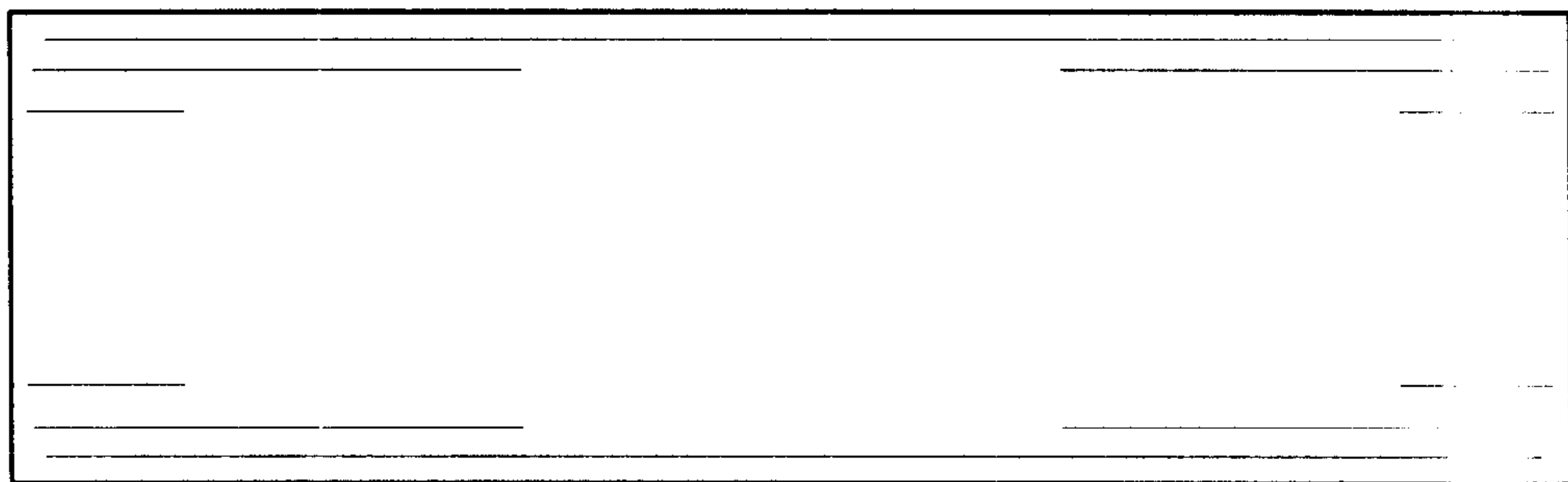


Fig. 8

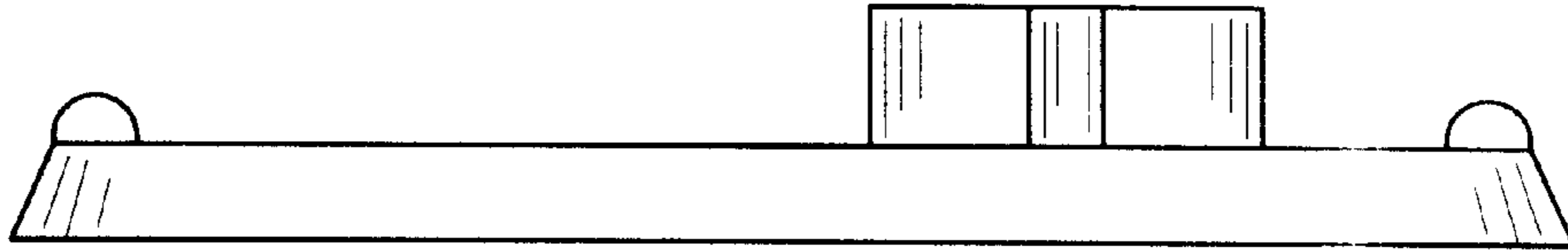


Fig. 9

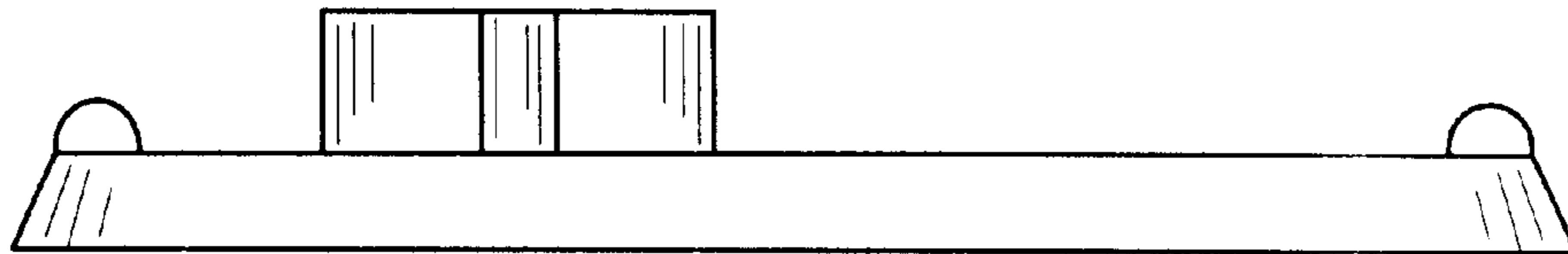


Fig. 10

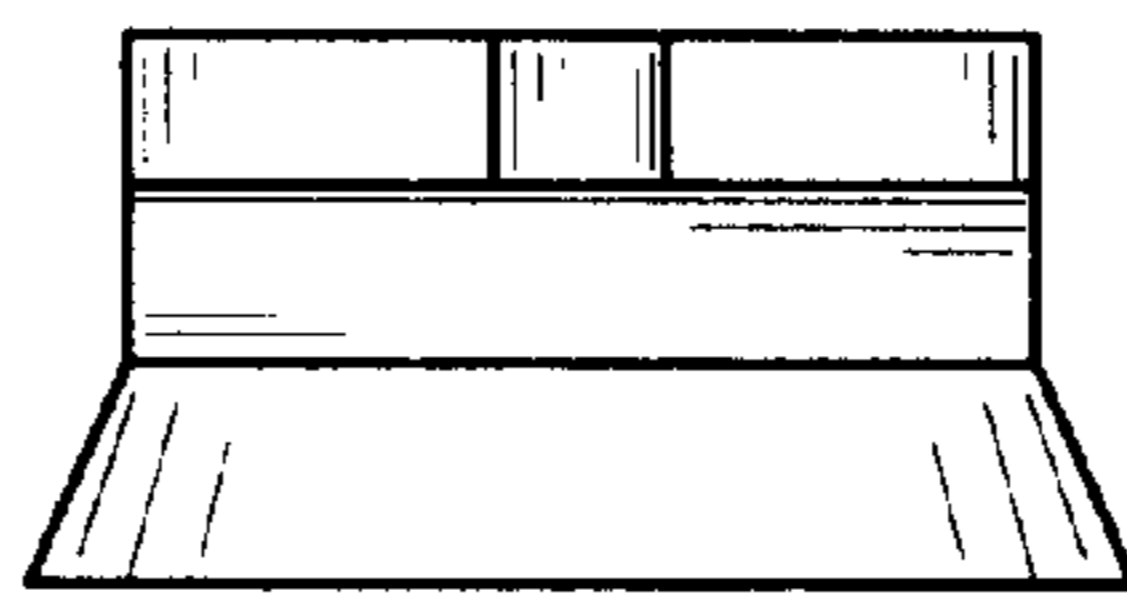


Fig. 11

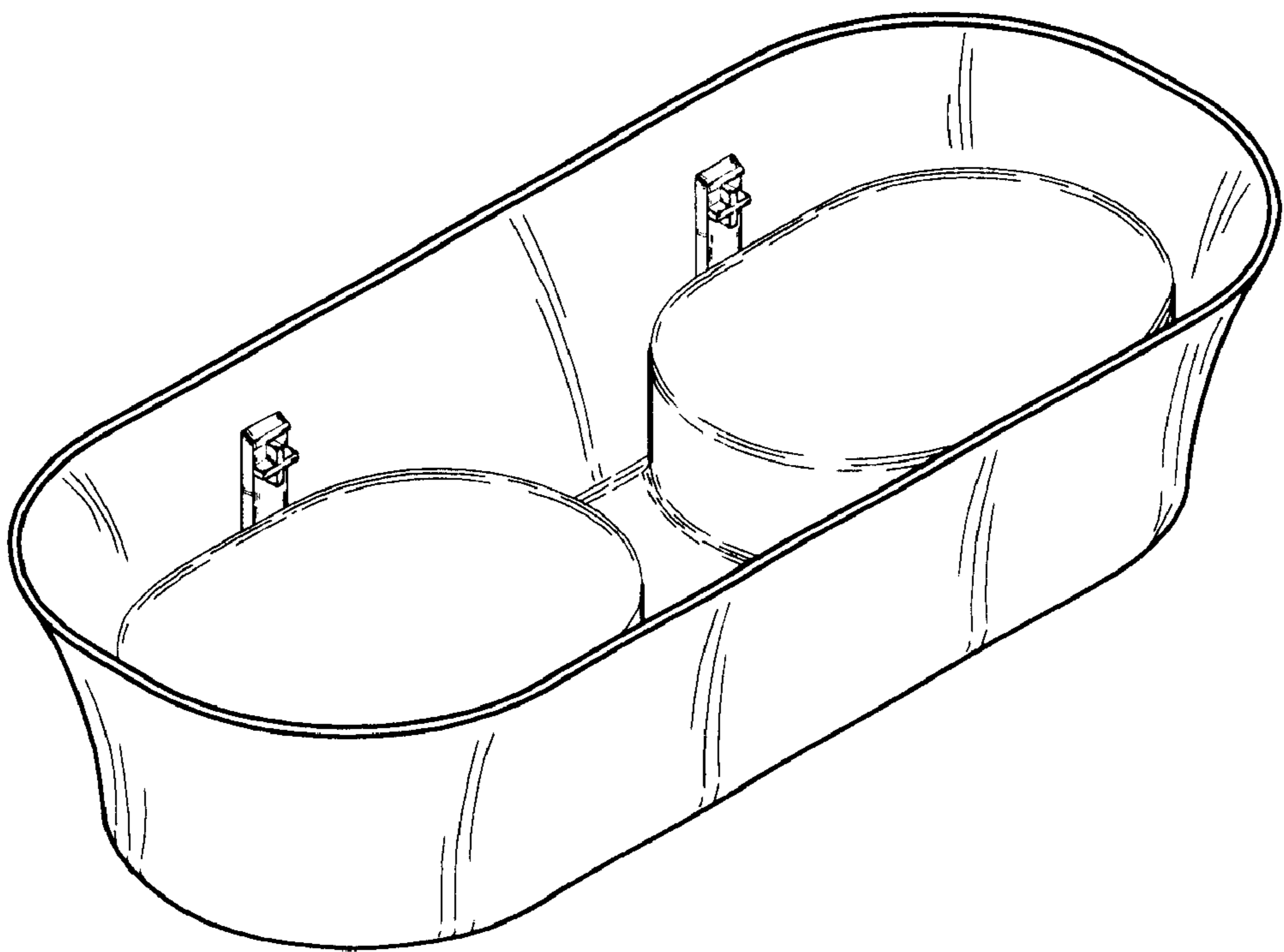


Fig. 12