



US00D486270S

(12) **United States Design Patent** (10) **Patent No.:** **US D486,270 S**
Kurumada et al. (45) **Date of Patent:** **** Feb. 3, 2004**

(54) **CONTAINER**

(75) Inventors: **Toshiki Kurumada**, Osaka (JP); **Miho Matsumoto**, Osaka (JP)

(73) Assignee: **Rohto Pharmaceutical Co., Ltd.**, Osaka (JP)

(**) Term: **14 Years**

(21) Appl. No.: **29/151,837**

(22) Filed: **Dec. 11, 2001**

(30) **Foreign Application Priority Data**

Jun. 22, 2001	(JP)	2001-018260
Jun. 22, 2001	(JP)	2001-018261
Jun. 22, 2001	(JP)	2001-018262
Jun. 22, 2001	(JP)	2001-018263

(51) **LOC (7) Cl.** **28-03**

(52) **U.S. Cl.** **D28/76; D28/88**

(58) **Field of Search** **D28/85-90, 76, D28/77; D9/529, 549; 401/68, 72, 78, 86, 87; 132/318, 320; 206/385, 381**

(56) **References Cited**

U.S. PATENT DOCUMENTS

D140,845 S	*	4/1945	Pierce	D28/87
3,612,704 A	*	10/1971	Marchant	401/72

(List continued on next page.)

FOREIGN PATENT DOCUMENTS

WO	DM026275	1/1993
WO	DM041076	8/1997

Primary Examiner—Jennifer Rivard

(74) *Attorney, Agent, or Firm*—Jordan and Hamburg LLP

(57) **CLAIM**

The ornamental design for a container, as shown and described.

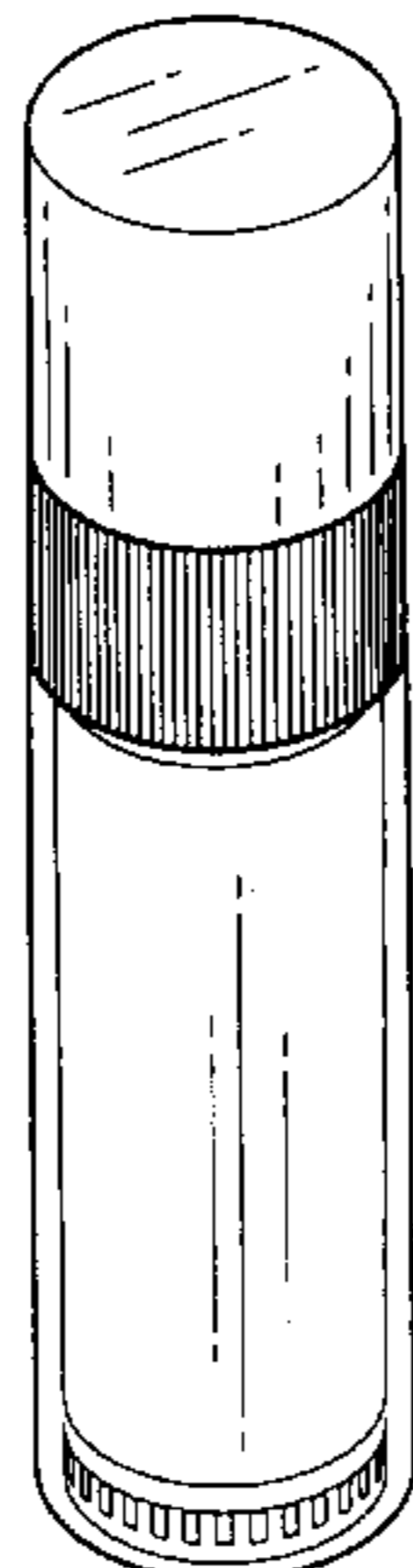
DESCRIPTION

FIG. 1 is a perspective view of a container showing a first embodiment of our new design;
 FIG. 2 is a front view thereof;
 FIG. 3 is a rear view thereof;
 FIG. 4 is a left side view thereof;

FIG. 5 is a right side view thereof;
 FIG. 6 is a top view thereof;
 FIG. 7 is a bottom view thereof;
 FIG. 8 is an enlarged sectional view thereof taken along line 8—8 in FIG. 2;
 FIG. 9 is an enlarged sectional view thereof taken along line 9—9 in FIG. 2;
 FIG. 10 is a perspective view of a container showing a second embodiment of our new design;
 FIG. 11 is a front view thereof;
 FIG. 12 is a rear view thereof;
 FIG. 13 is a left side view thereof;
 FIG. 14 is a right side view thereof;
 FIG. 15 is a top view thereof;
 FIG. 16 is a bottom view thereof;
 FIG. 17 is an enlarged sectional view thereof taken along line 17—17 in FIG. 11;
 FIG. 18 is an enlarged sectional view thereof taken along line 18—18 in FIG. 11;
 FIG. 19 is a perspective view of a container showing a third embodiment of our new design;
 FIG. 20 is a front view thereof;
 FIG. 21 is a rear view thereof;
 FIG. 22 is a left side view thereof;
 FIG. 23 is a right side view thereof;
 FIG. 24 is a top view thereof;
 FIG. 25 is a bottom view thereof;
 FIG. 26 is an enlarged sectional view thereof taken along line 26—26 in FIG. 20;
 FIG. 27 is an enlarged sectional view thereof taken along line 27—27 in FIG. 20;
 FIG. 28 is a perspective view of a container showing a fourth embodiment of our new design;
 FIG. 29 is a front view thereof;
 FIG. 30 is a rear view thereof;
 FIG. 31 is a left side view thereof;
 FIG. 32 is a right side view thereof;
 FIG. 33 is a top view thereof;
 FIG. 34 is a bottom view thereof;
 FIG. 35 is an enlarged sectional view thereof taken along line 35—35 in FIG. 29; and,
 FIG. 36 is an enlarged sectional view thereof taken along line 36—36 in FIG. 29.

The phantom lines are for illustrative purposes only and form no part of the claimed design.

1 Claim, 20 Drawing Sheets



US D486,270 S

Page 2

U.S. PATENT DOCUMENTS

D344,017 S	2/1994	Lang et al.		D450,889 S	* 11/2001	Chang	D28/76
D357,584 S	* 4/1995	Swingler	D456,953 S	* 5/2002	Look	D28/77
D448,120 S	* 9/2001	Look	D462,144 S	* 8/2002	Gaydon	D28/76
			D28/88					
			D28/77					

* cited by examiner

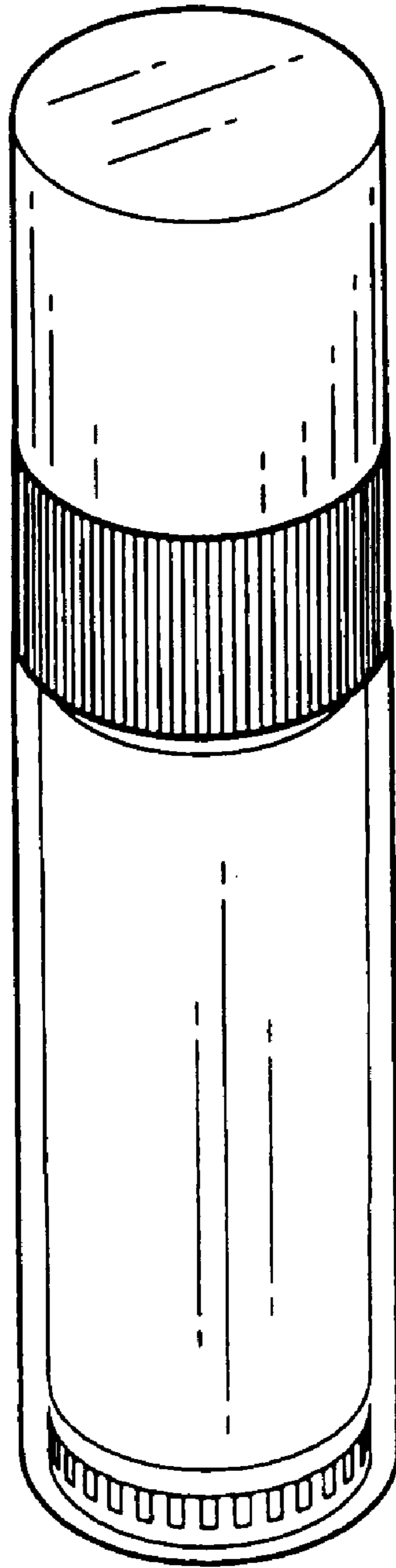


FIG. 1

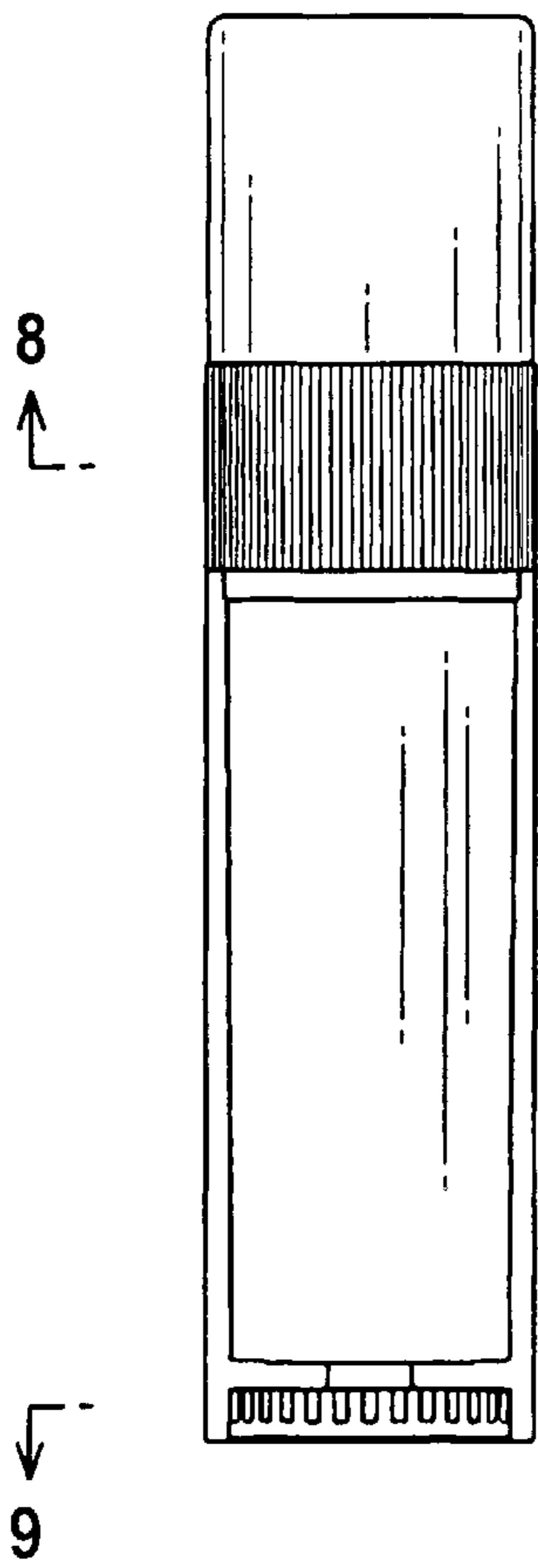


FIG. 2

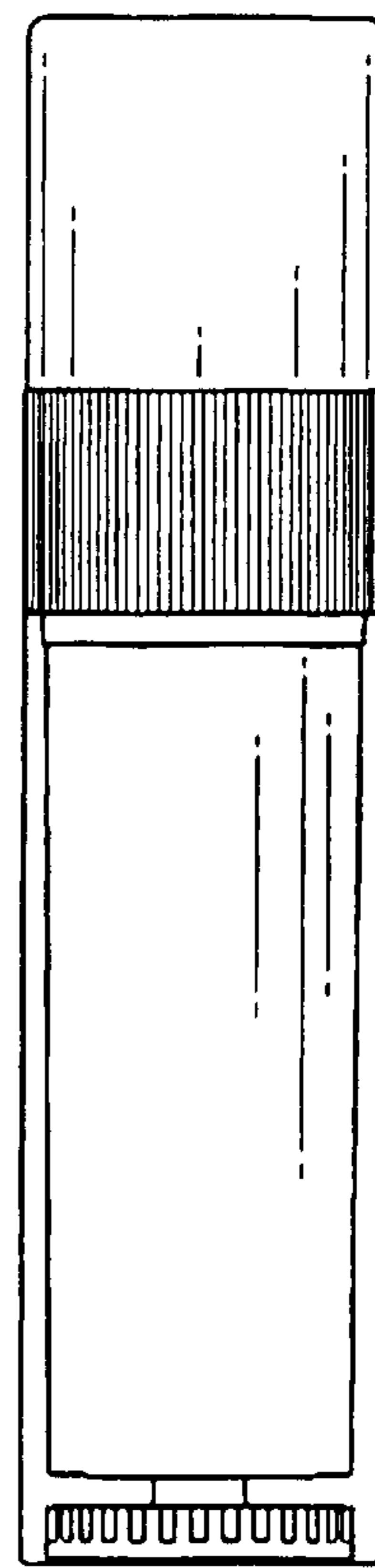


FIG. 3

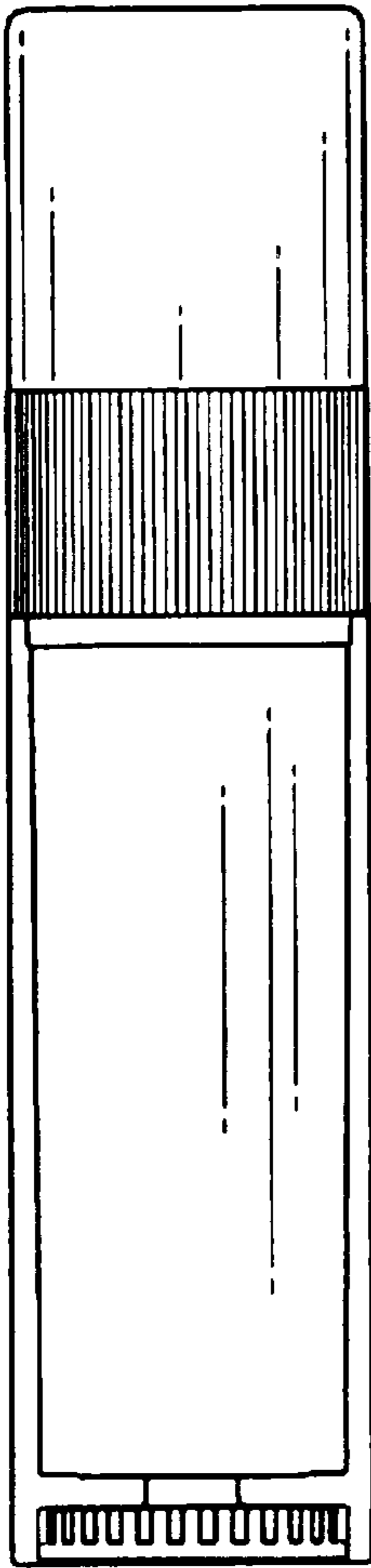


FIG. 4

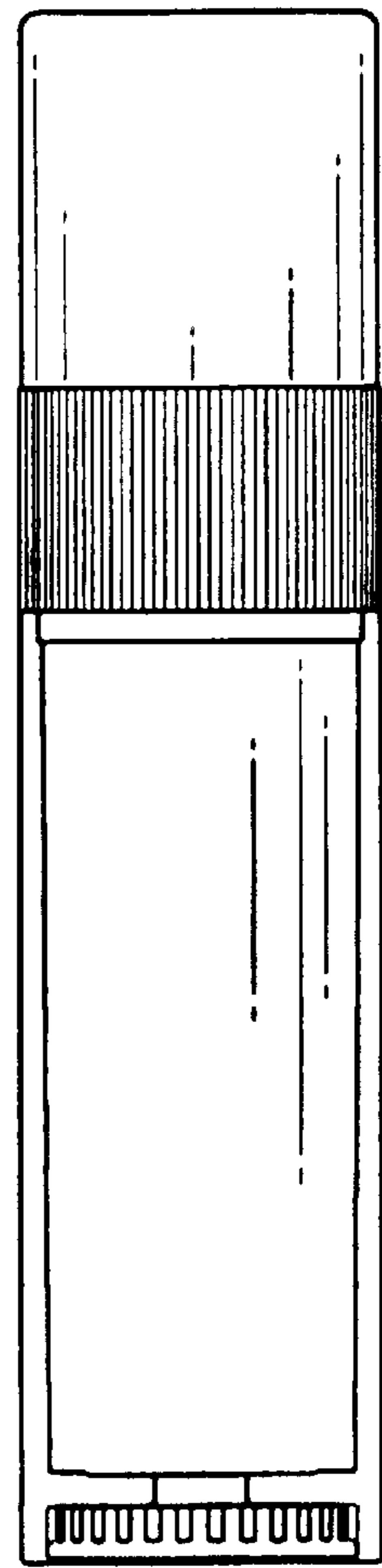


FIG. 5

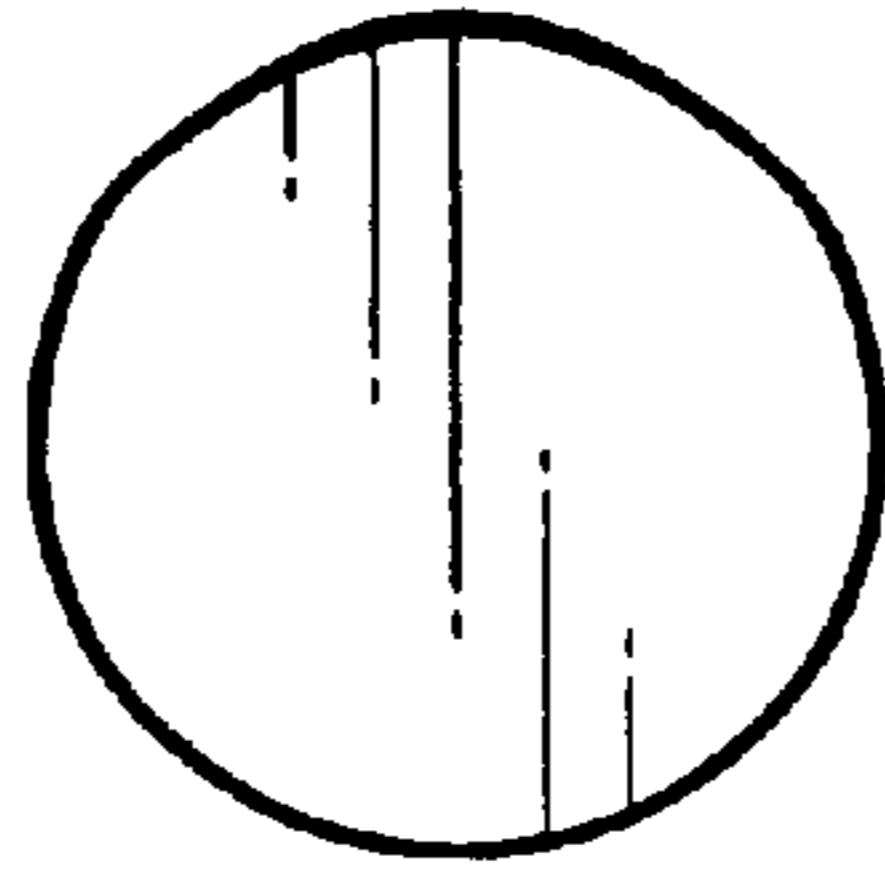


FIG. 6

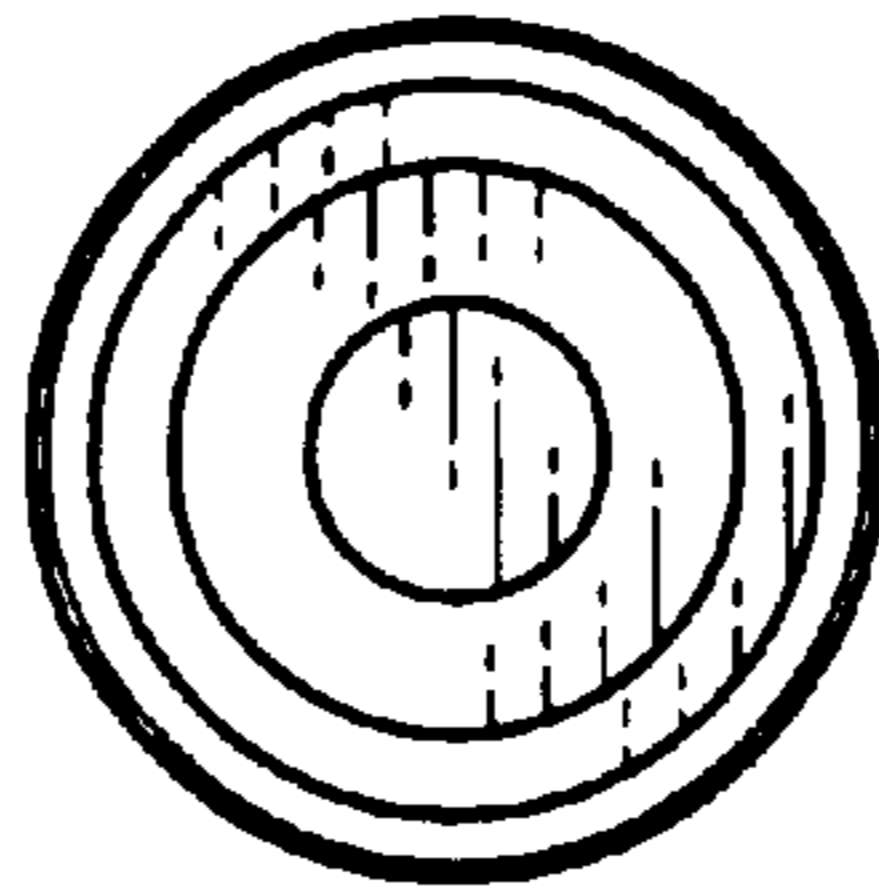


FIG. 7

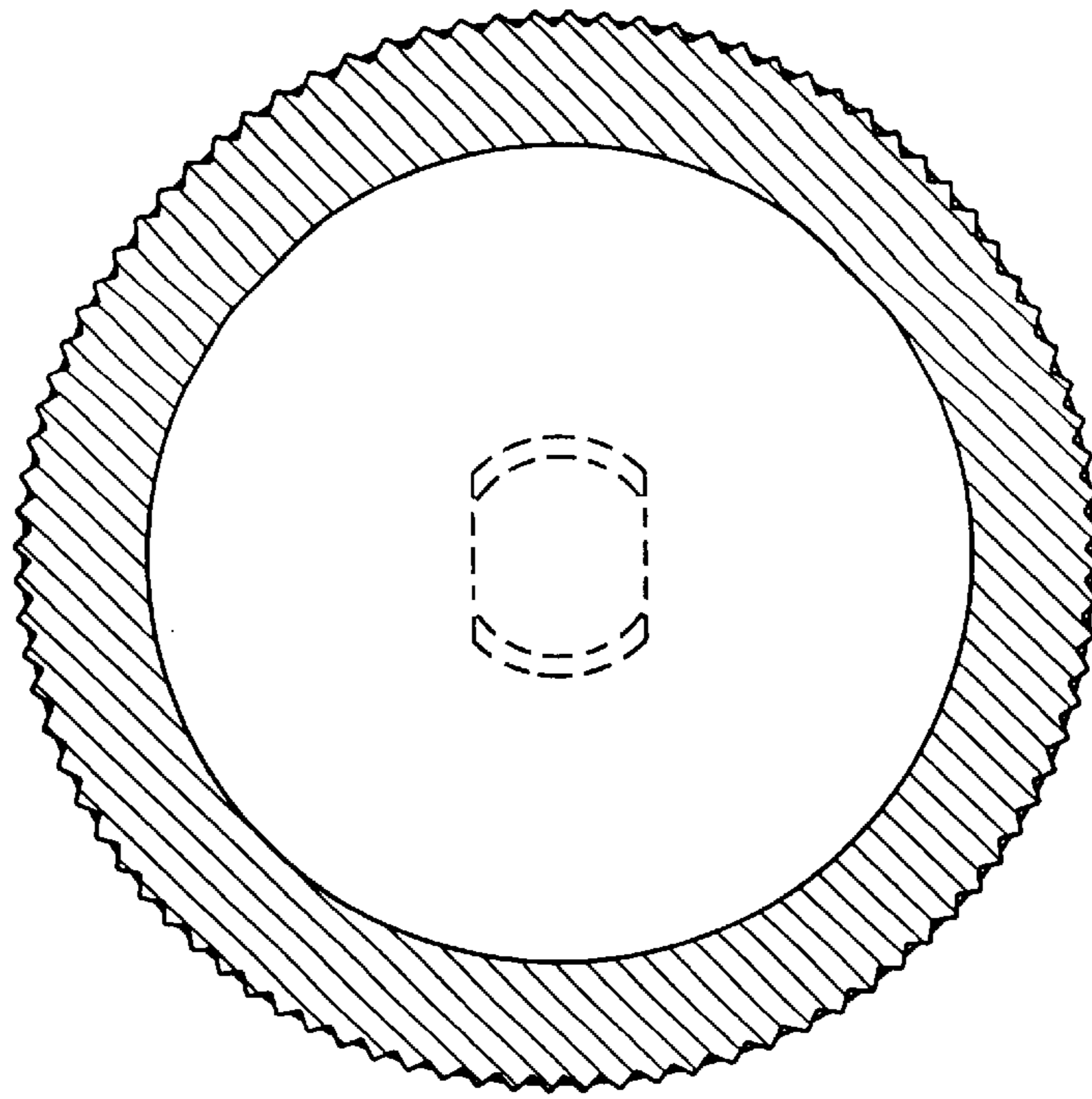


FIG. 8

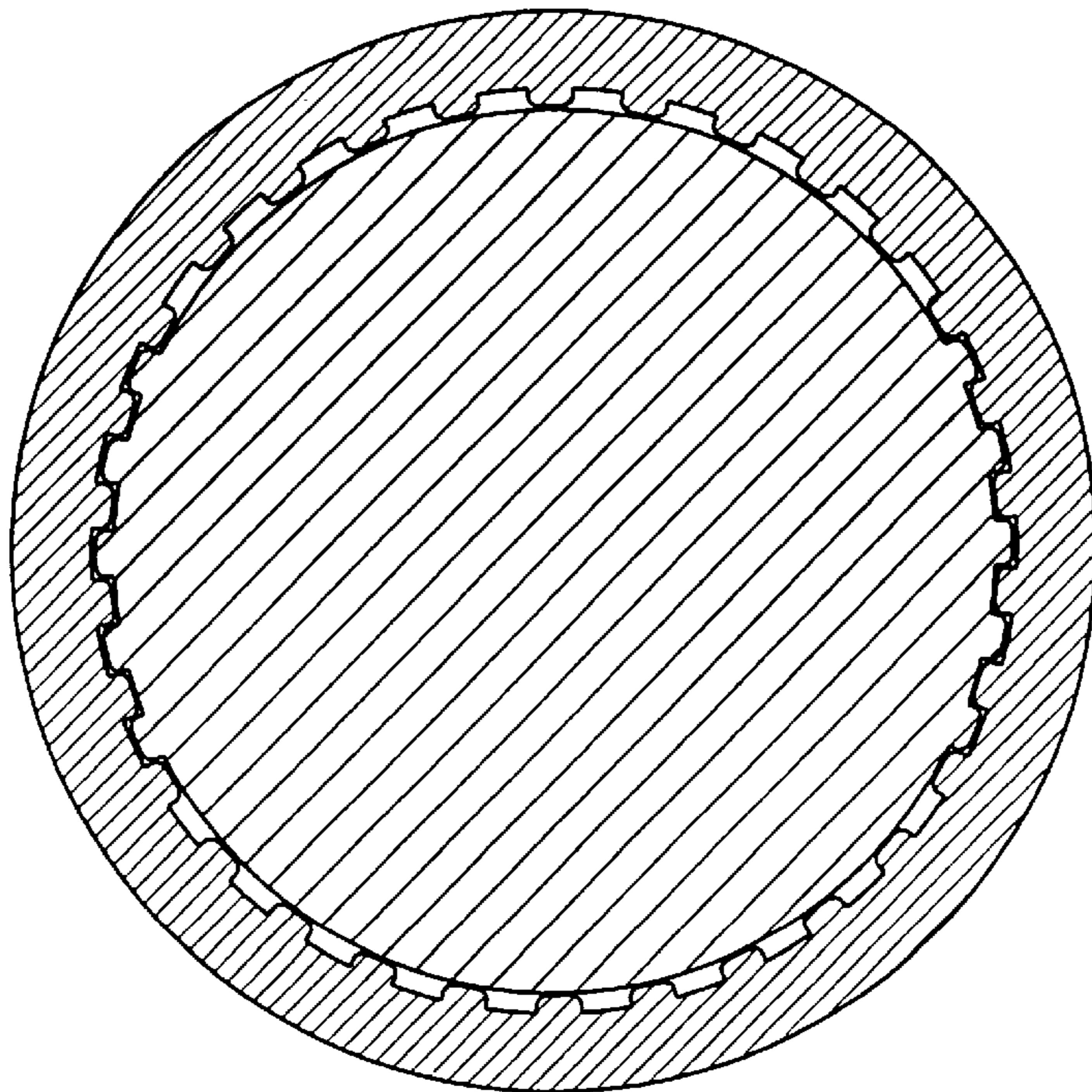


FIG. 9

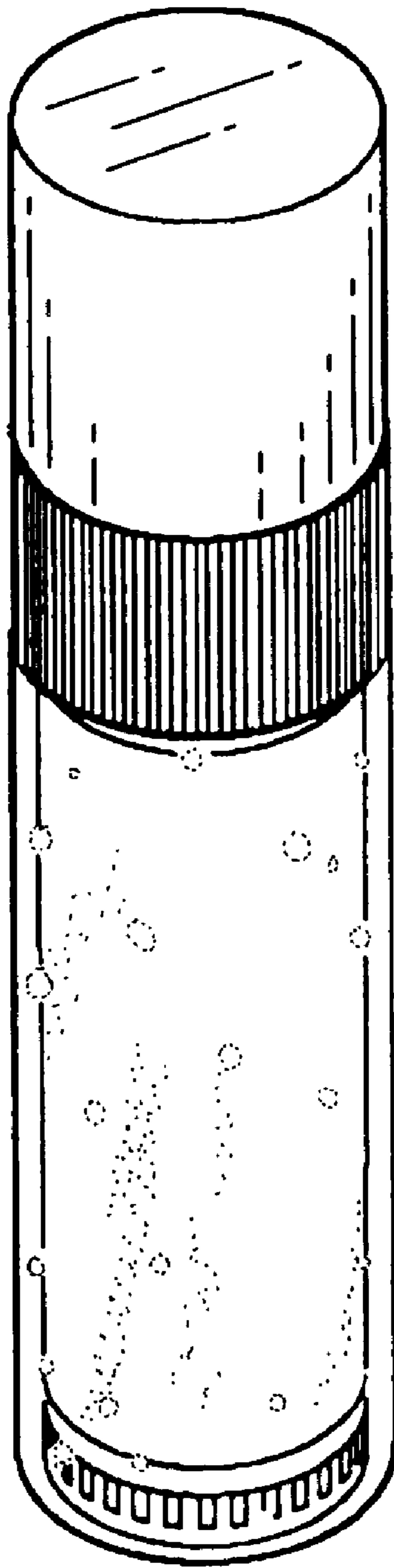


FIG. 10

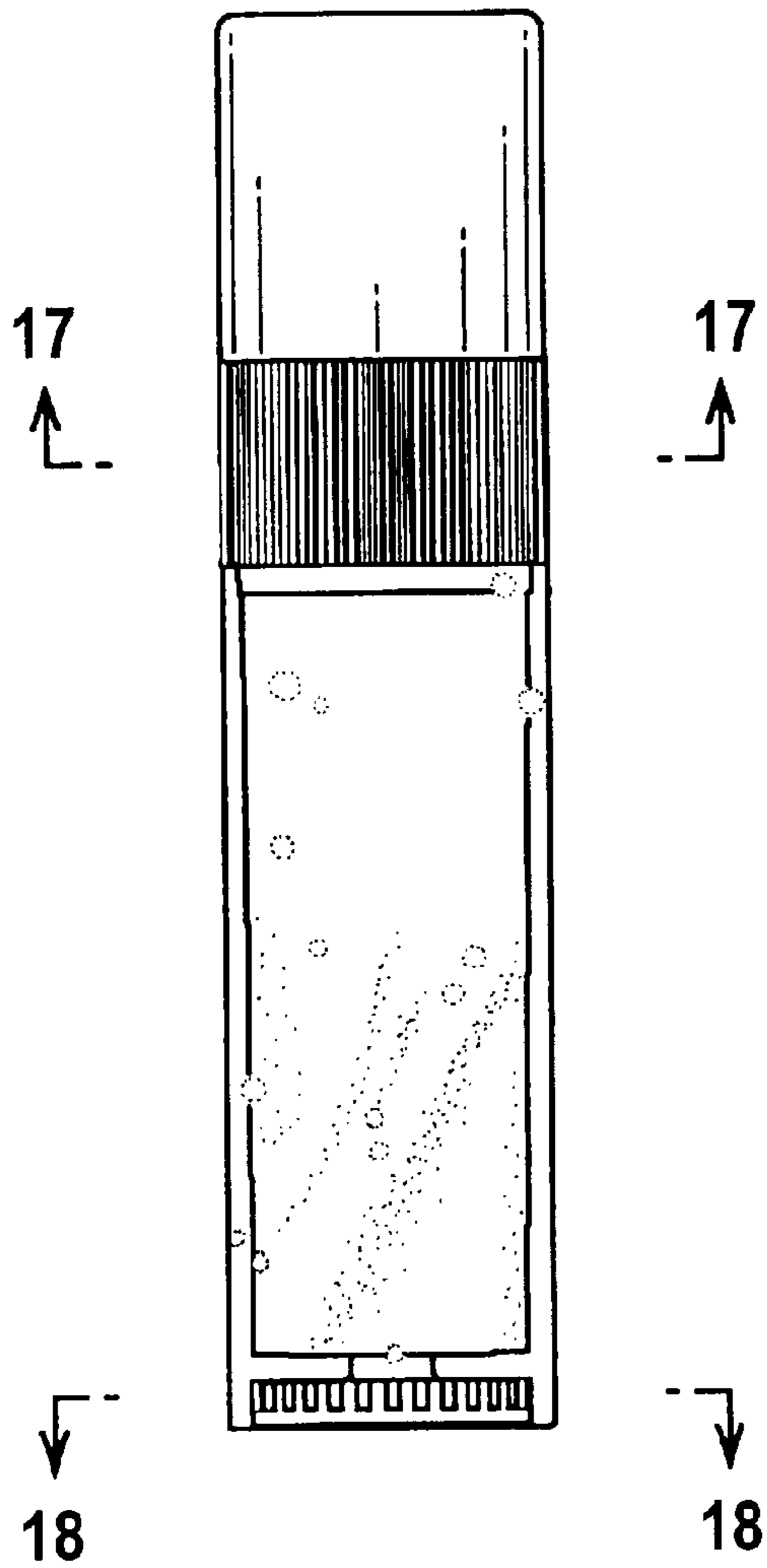


FIG. 11

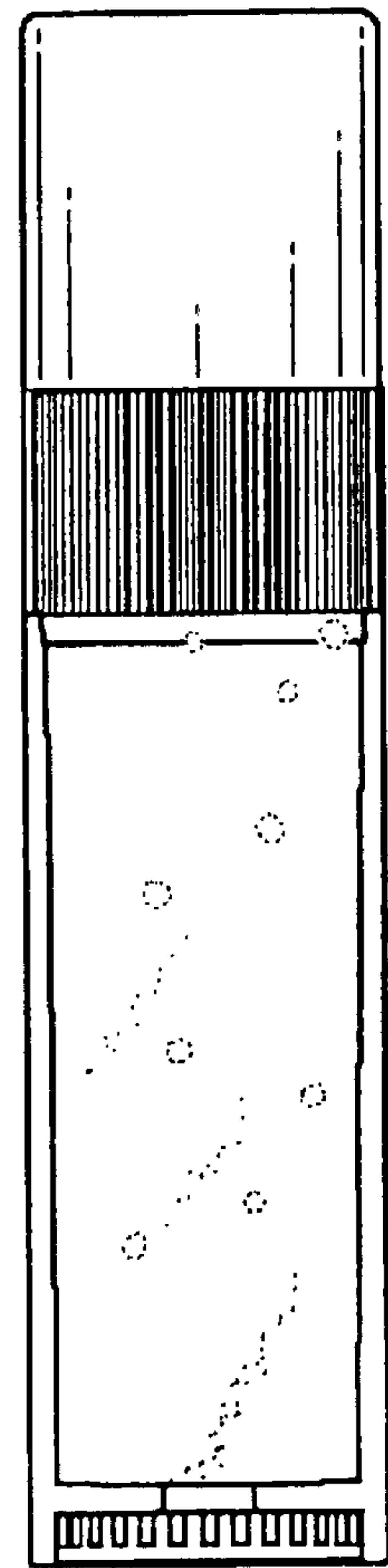


FIG. 12

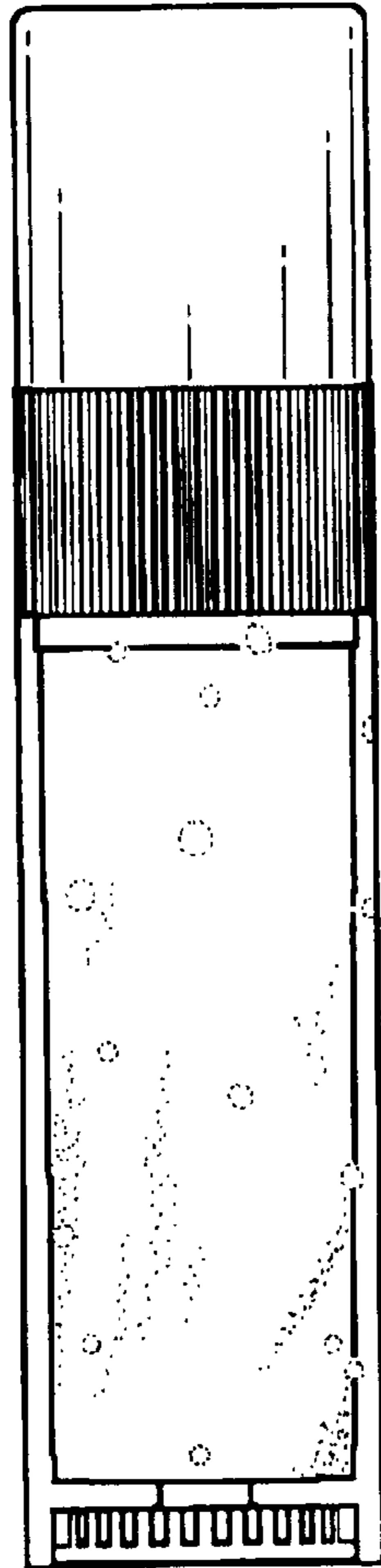


FIG. 13

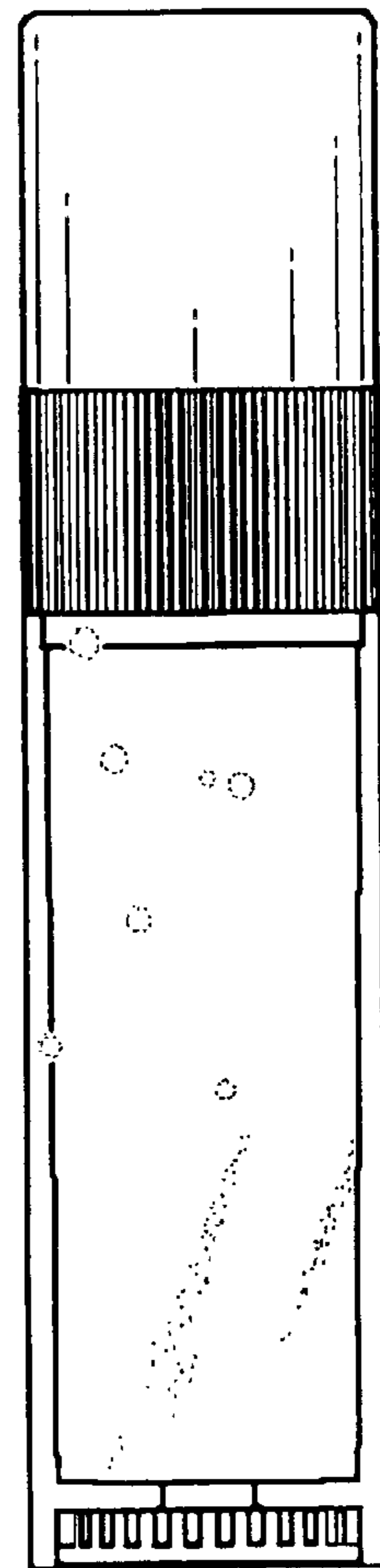


FIG. 14

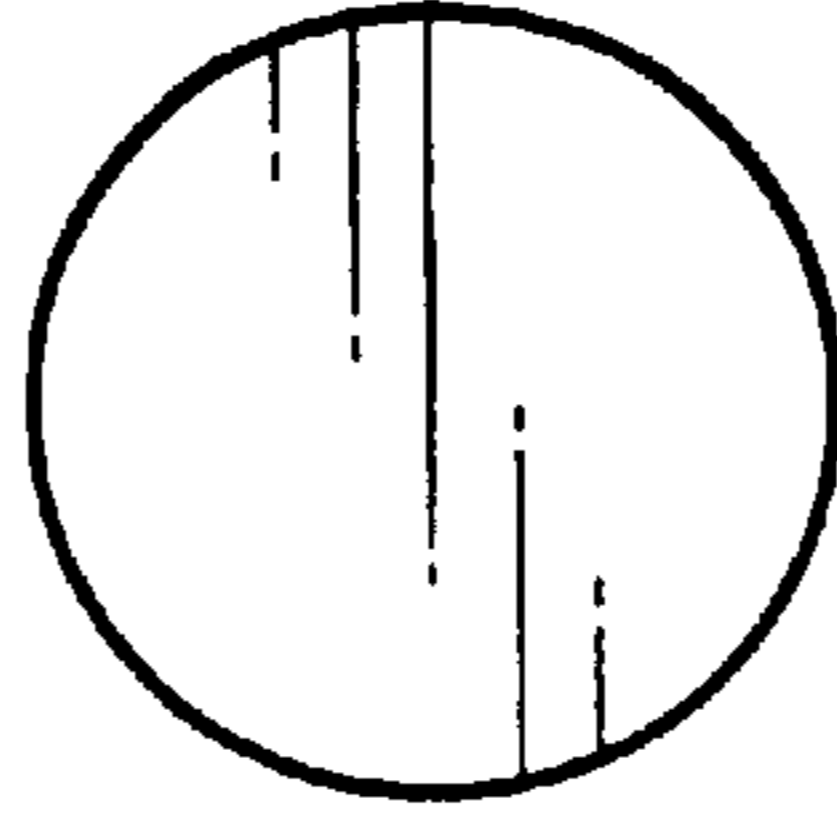


FIG. 15

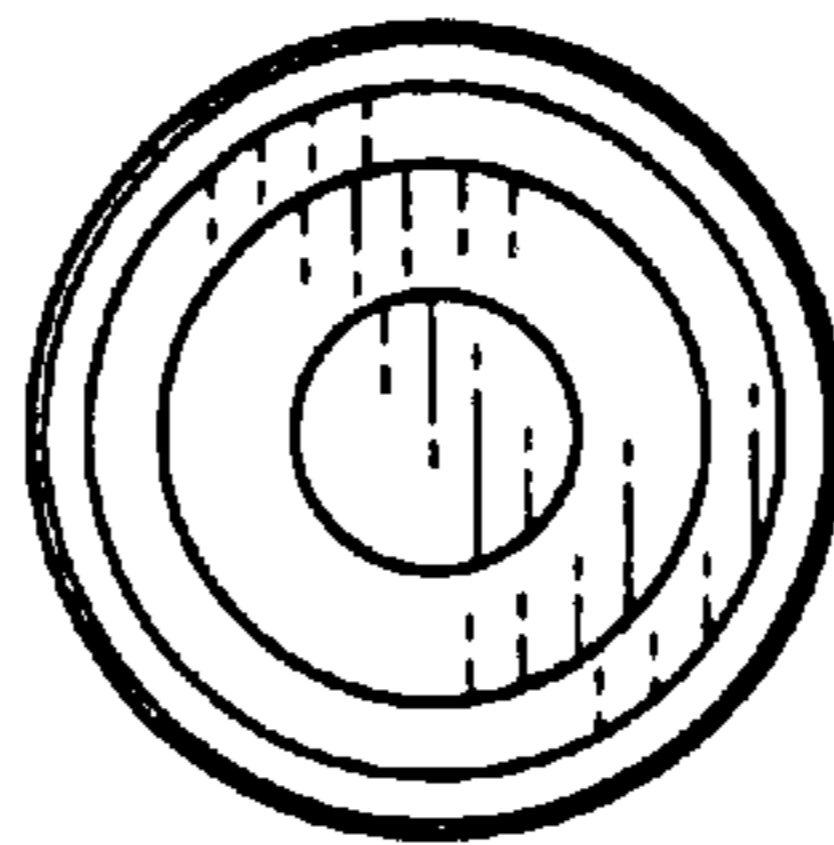


FIG. 16

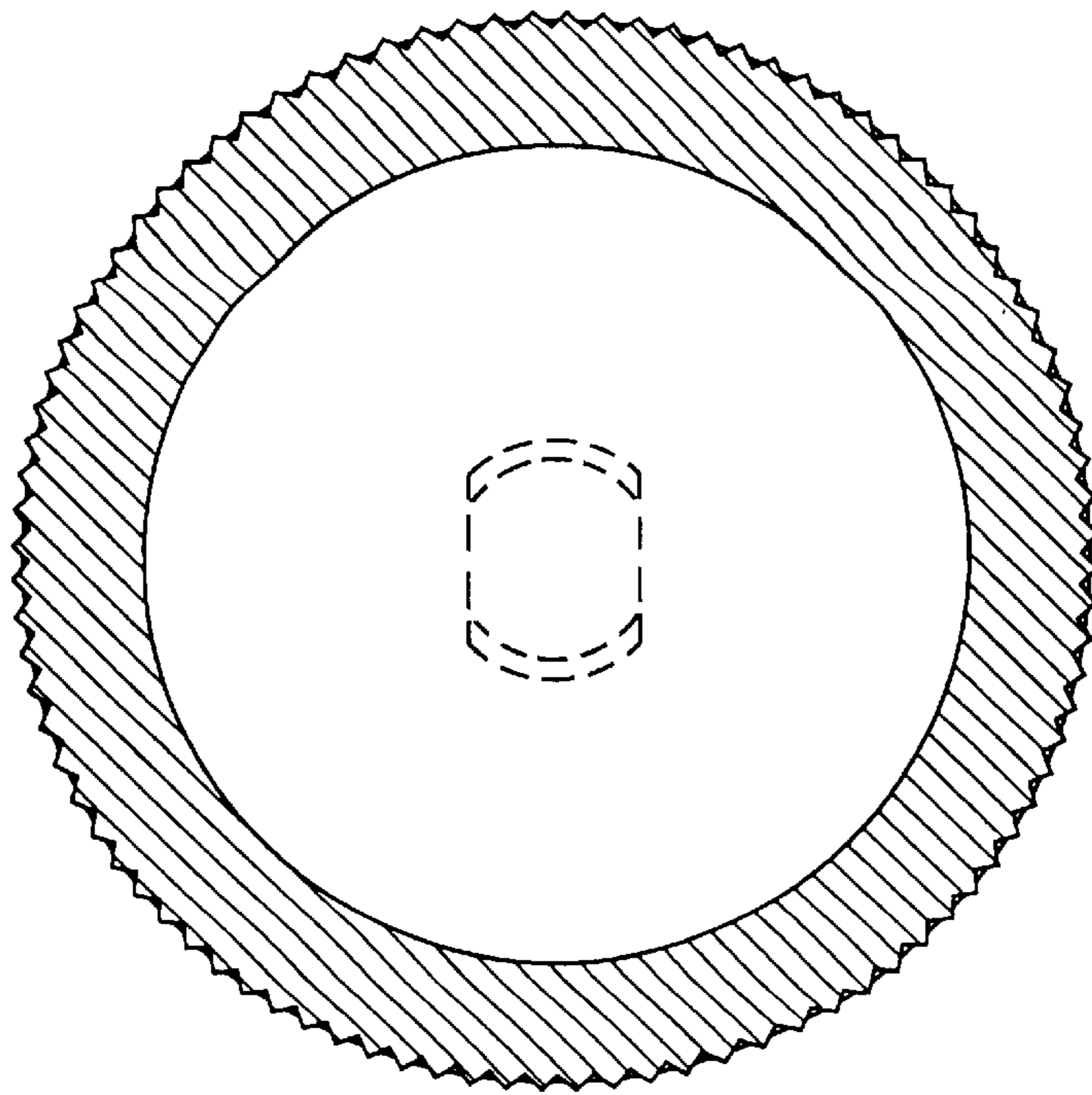


FIG. 17

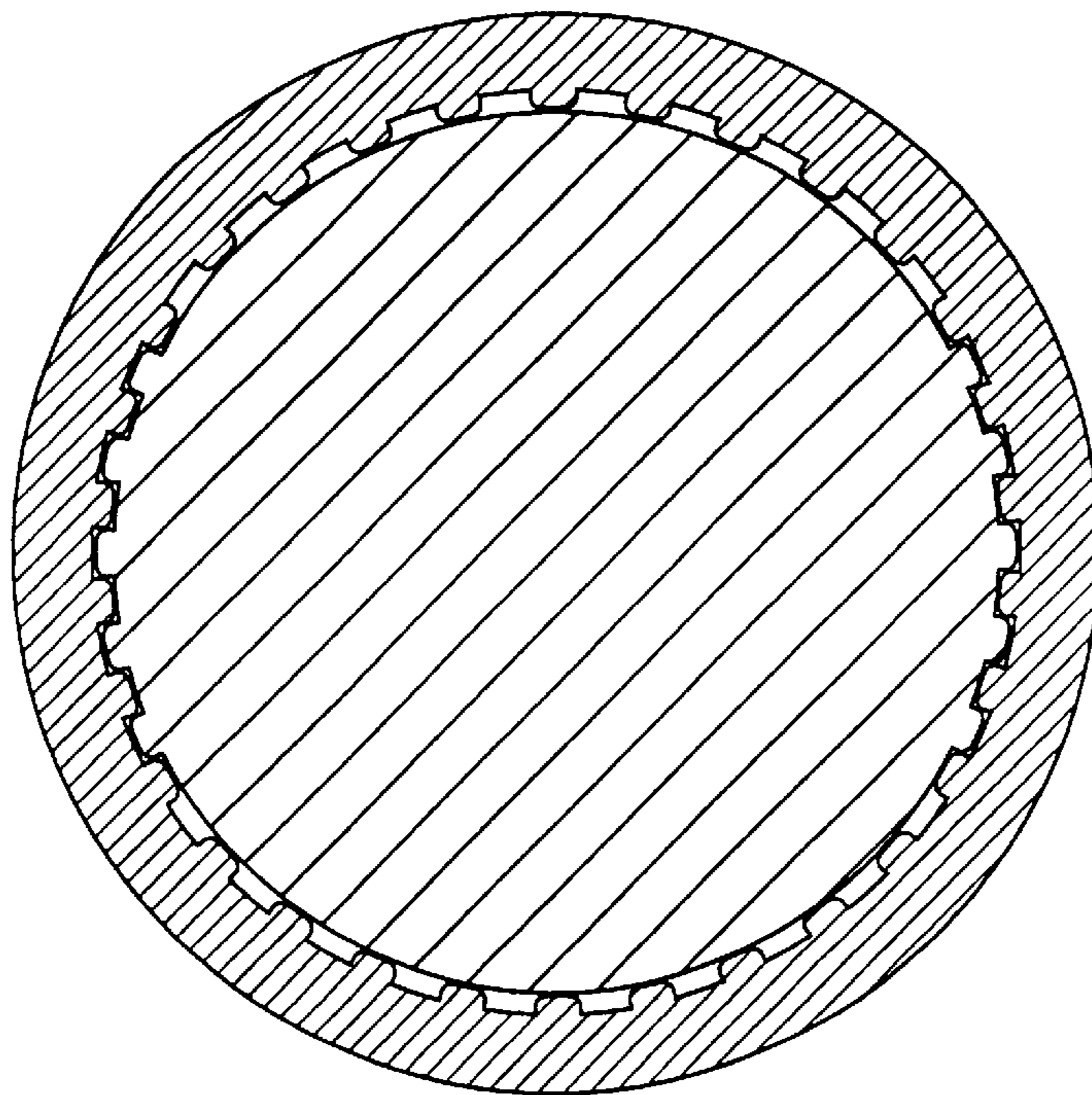


FIG. 18

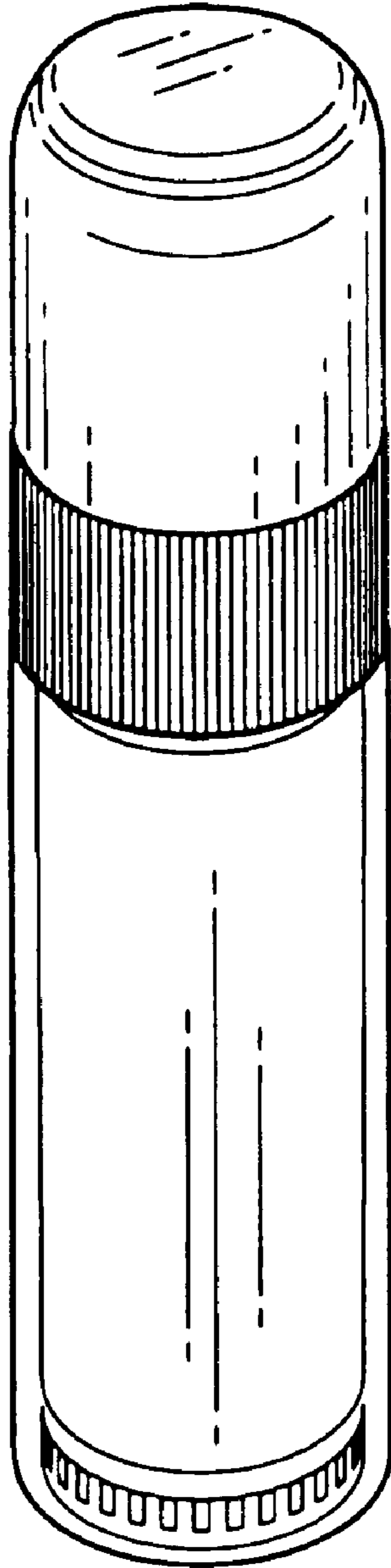


FIG. 19

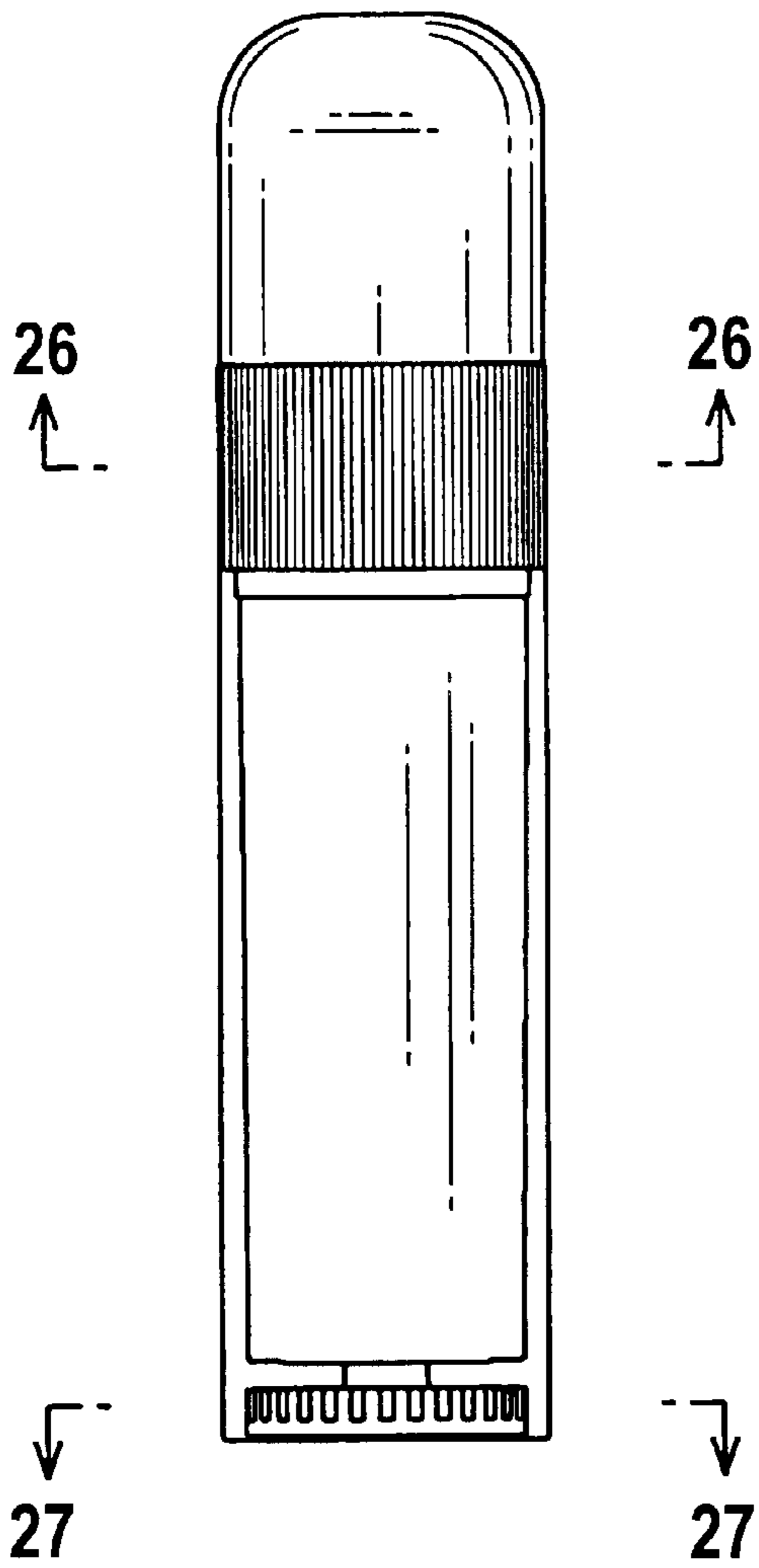


FIG. 20

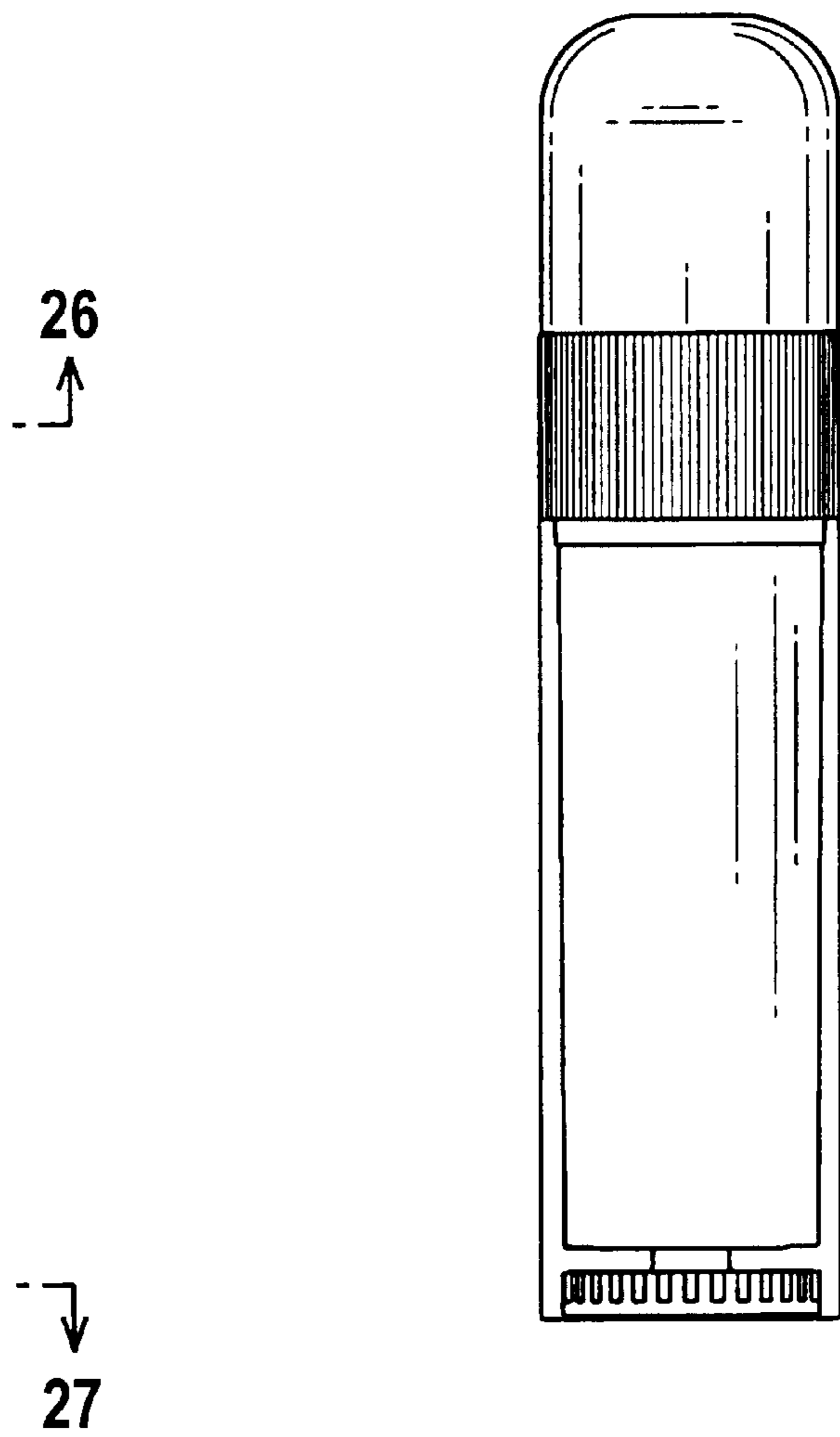


FIG. 21

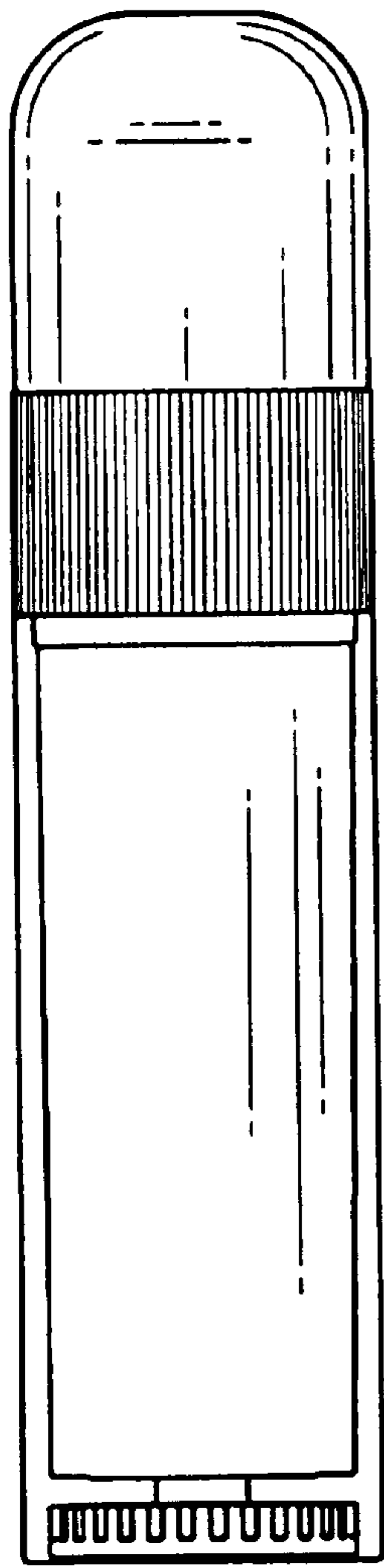


FIG. 22

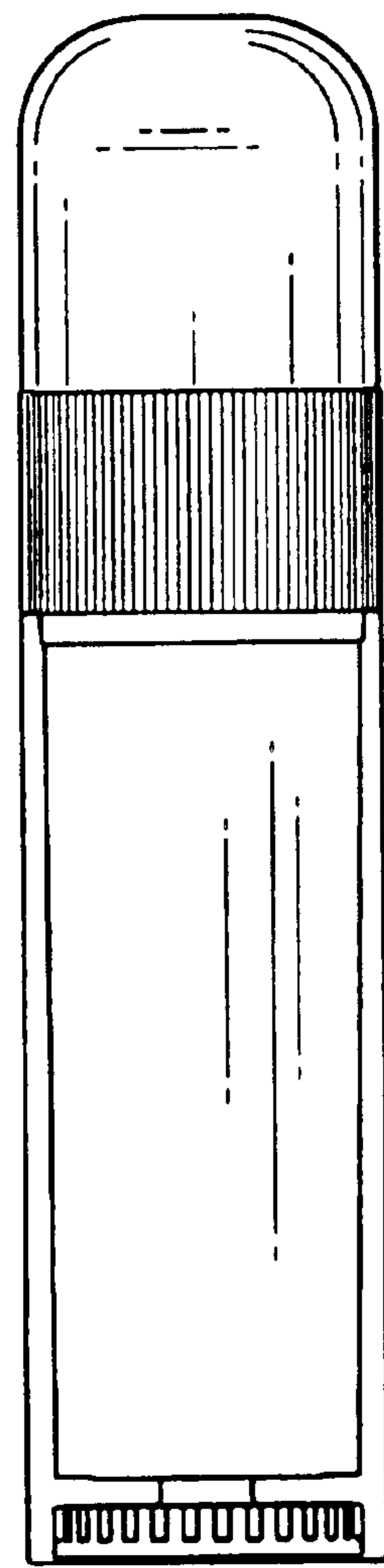


FIG. 23

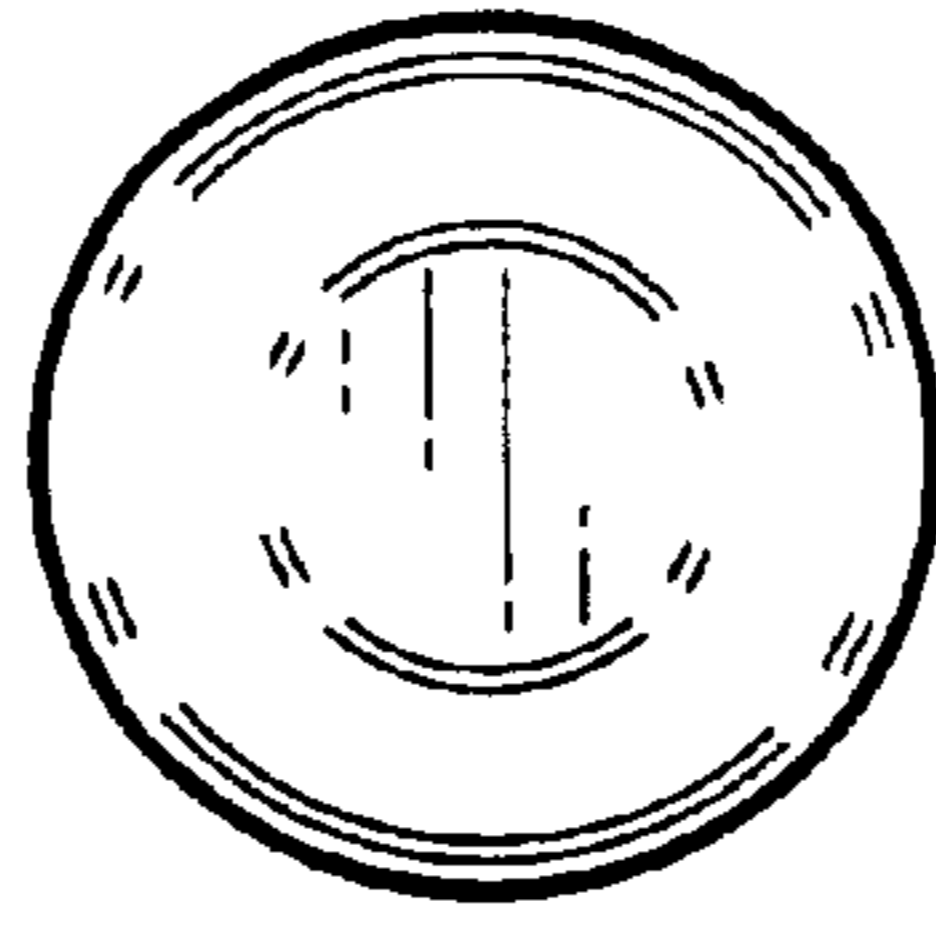


FIG. 24

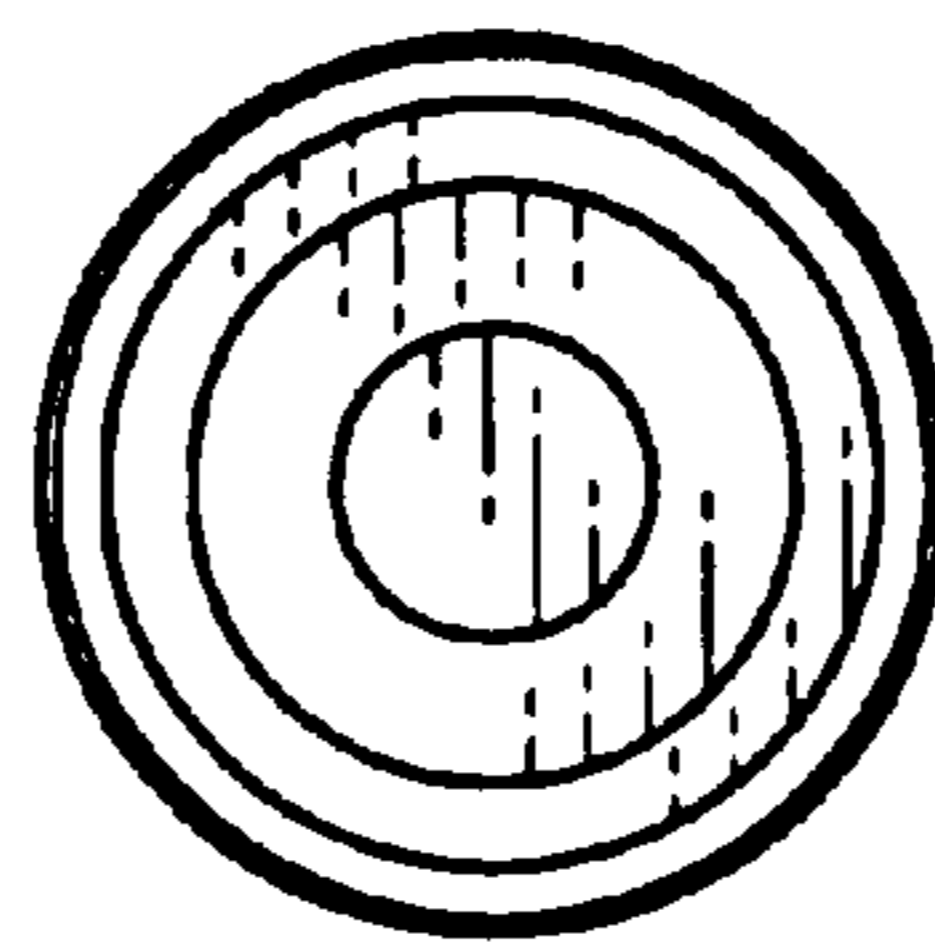


FIG. 25

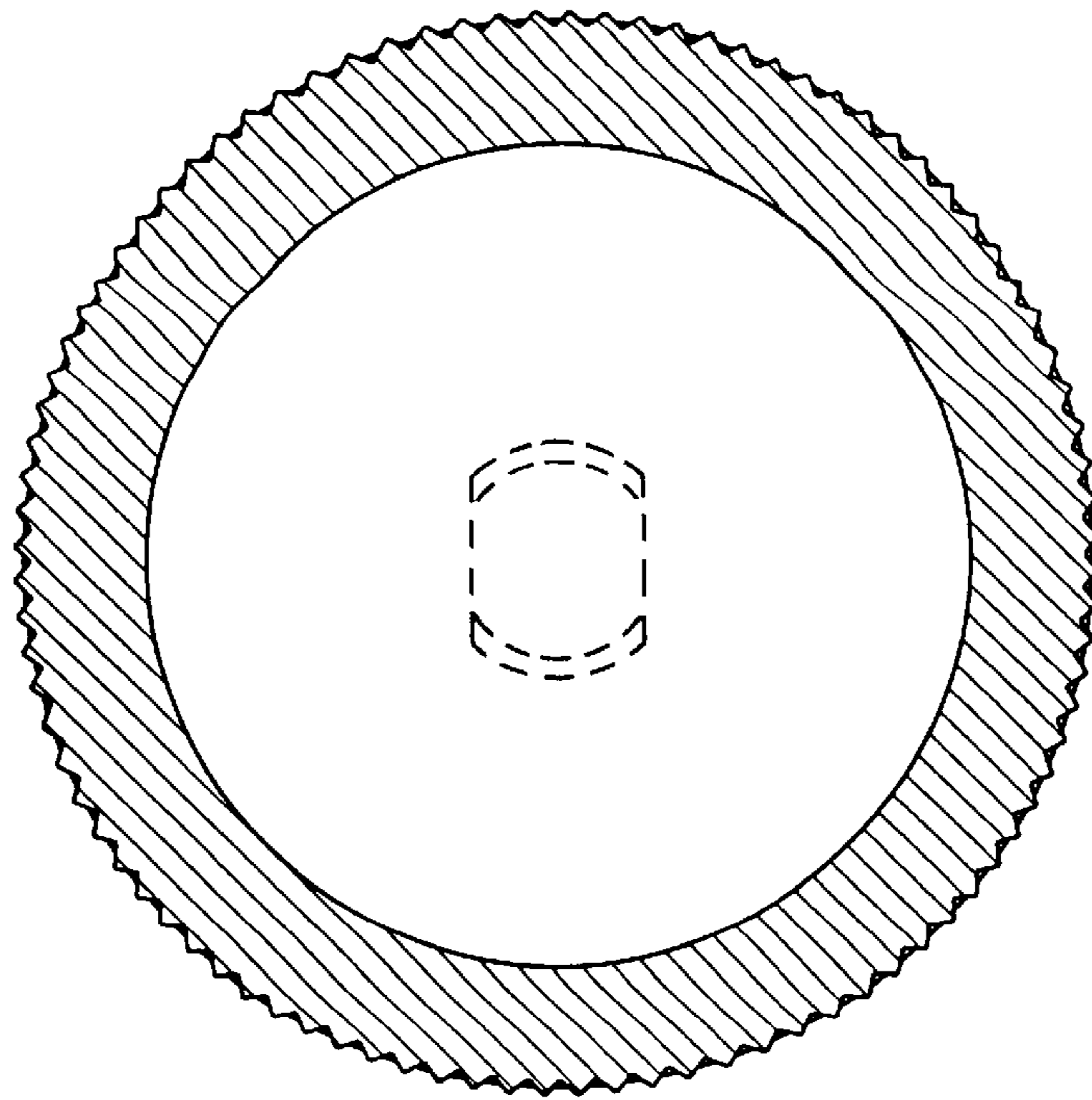


FIG. 26

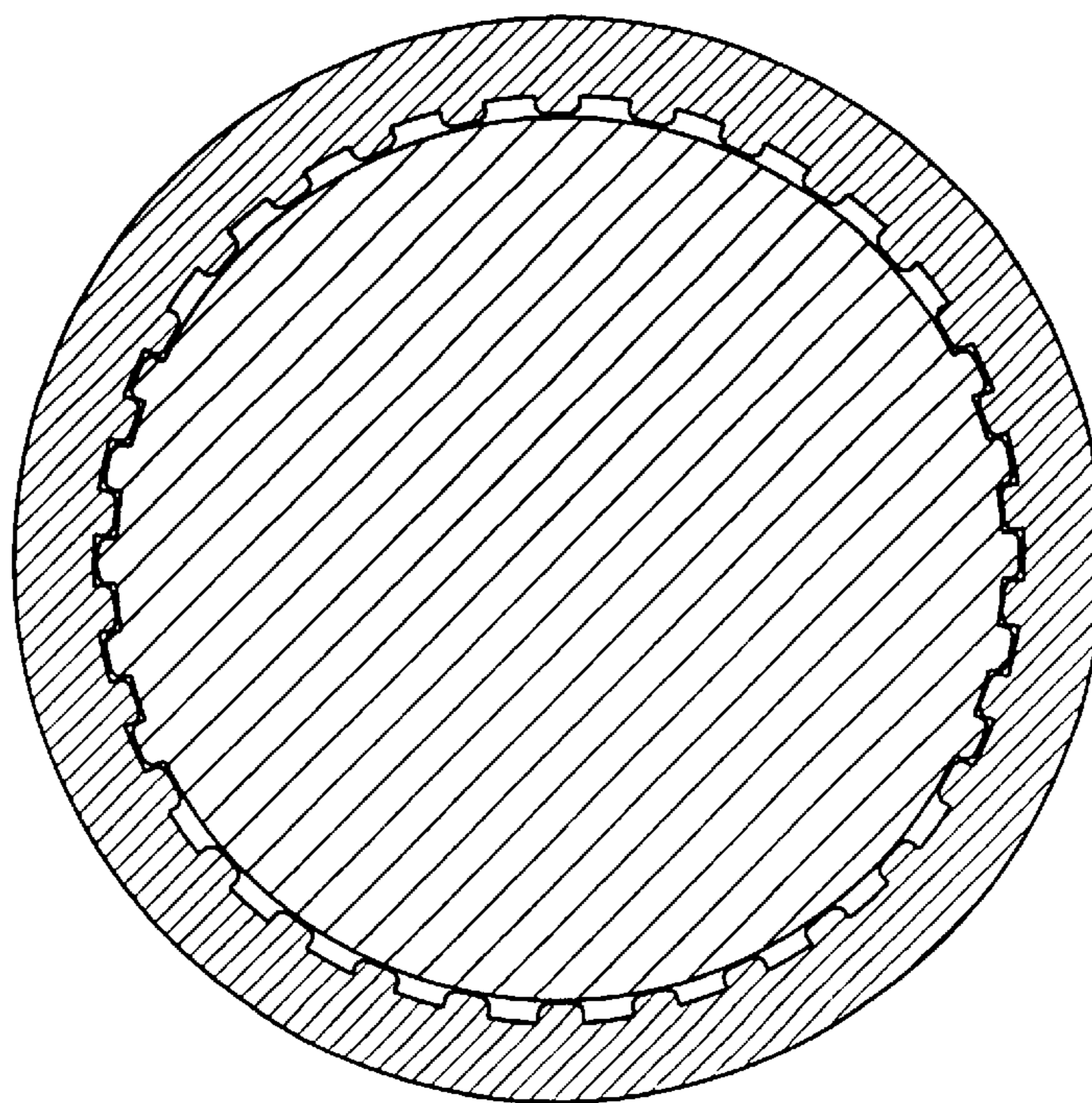


FIG. 27

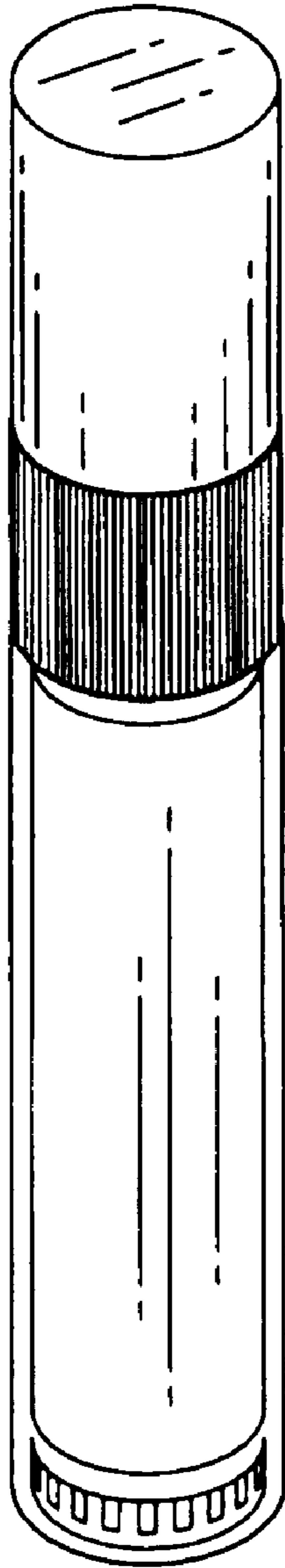


FIG. 28

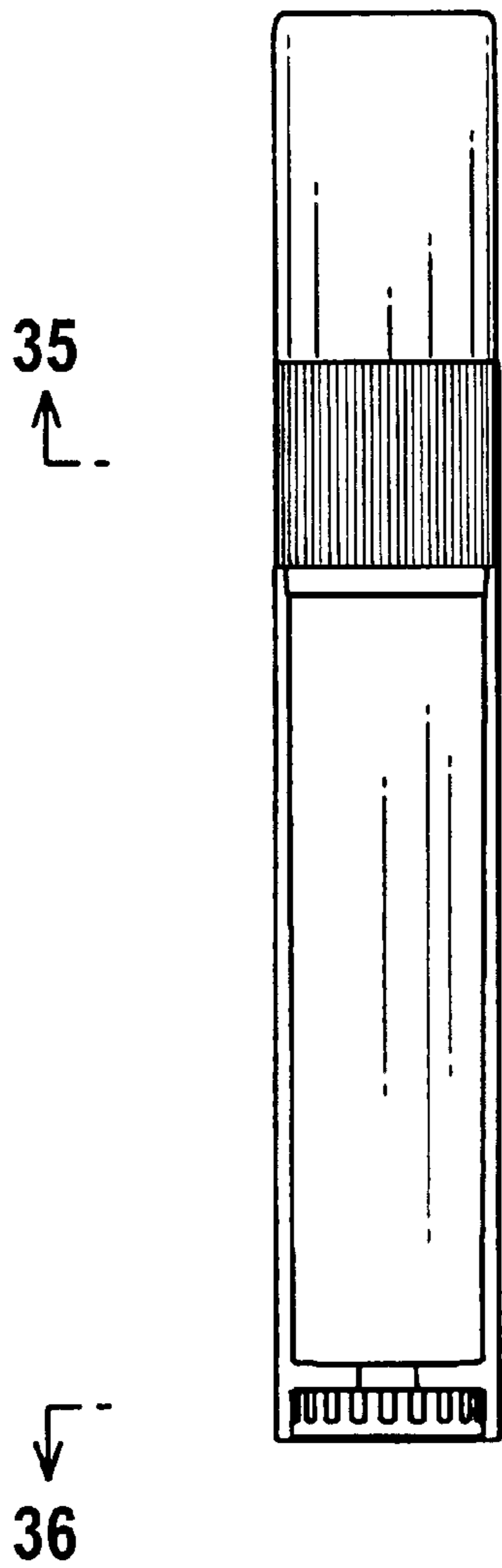


FIG. 29

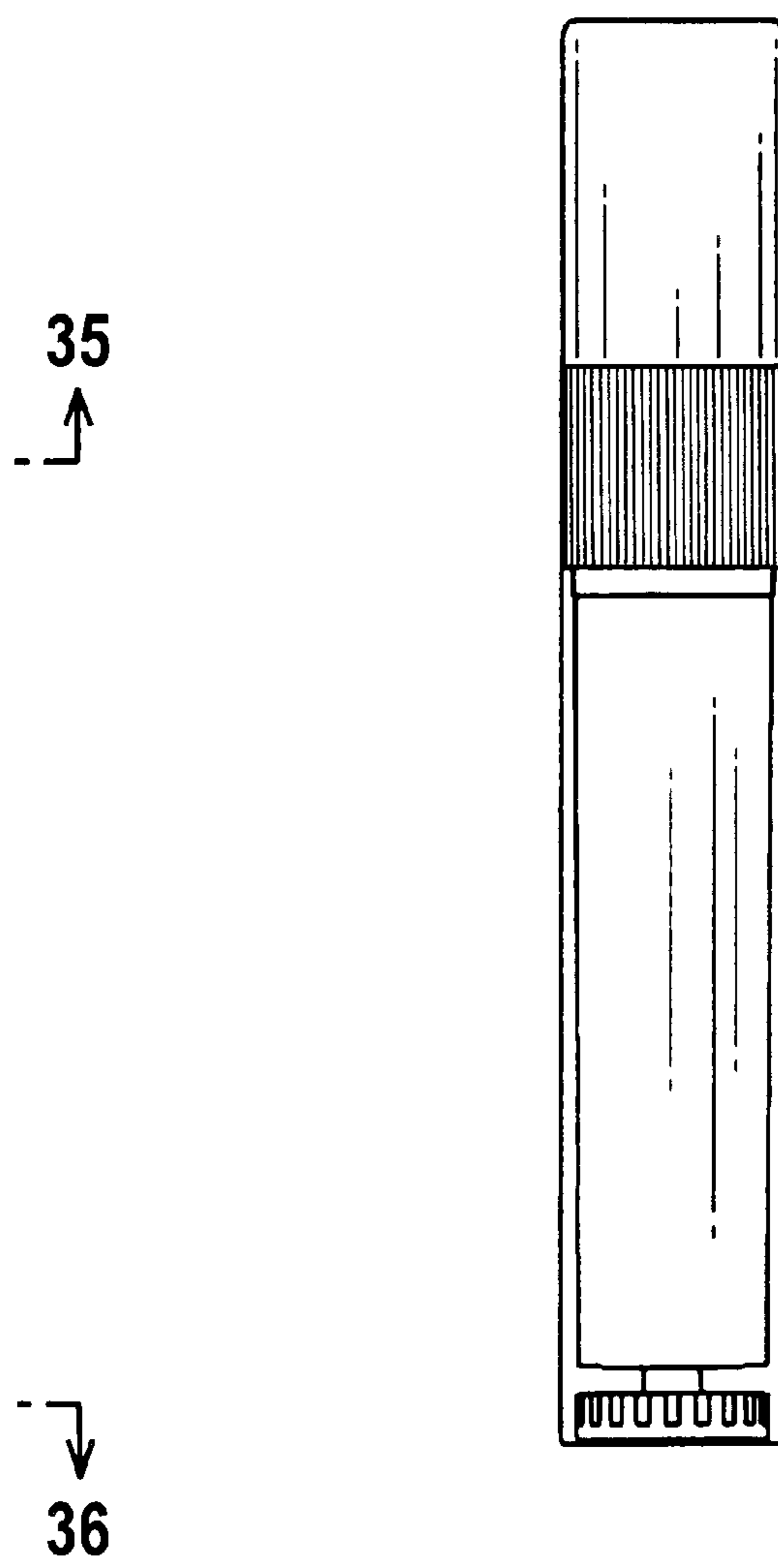


FIG. 30

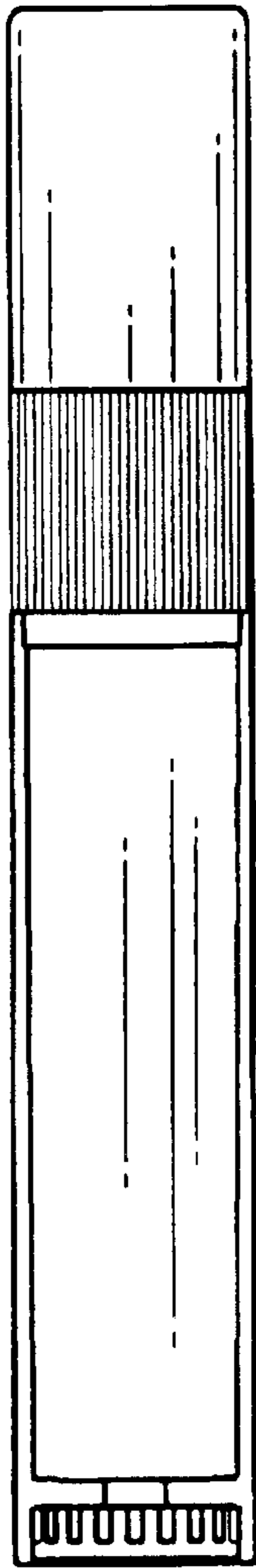


FIG. 31

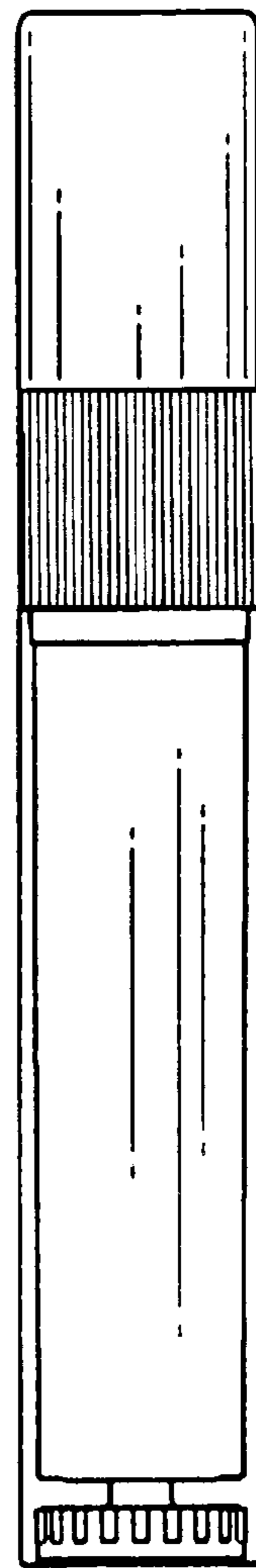


FIG. 32

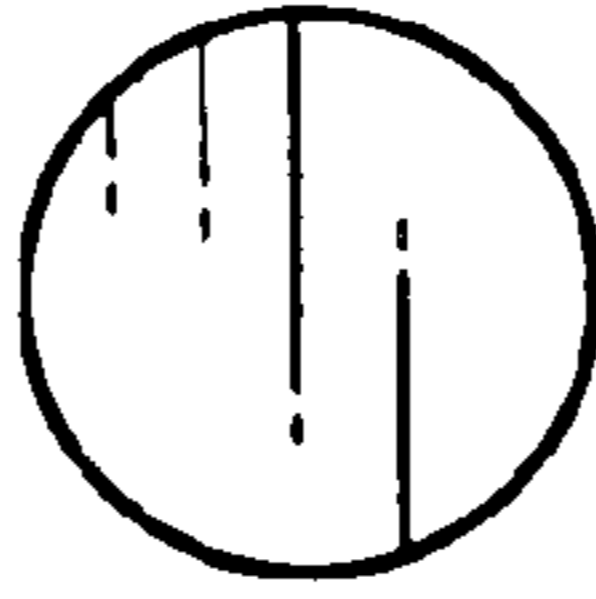


FIG. 33

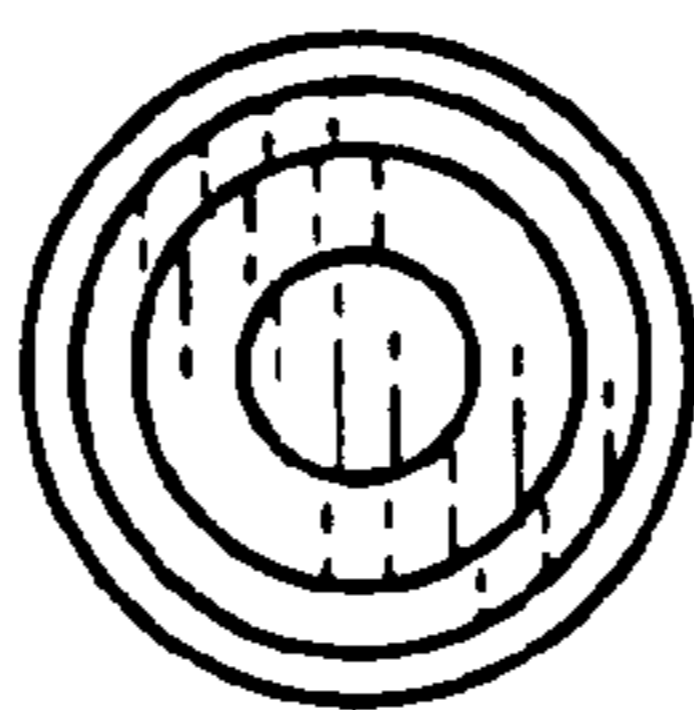


FIG. 34

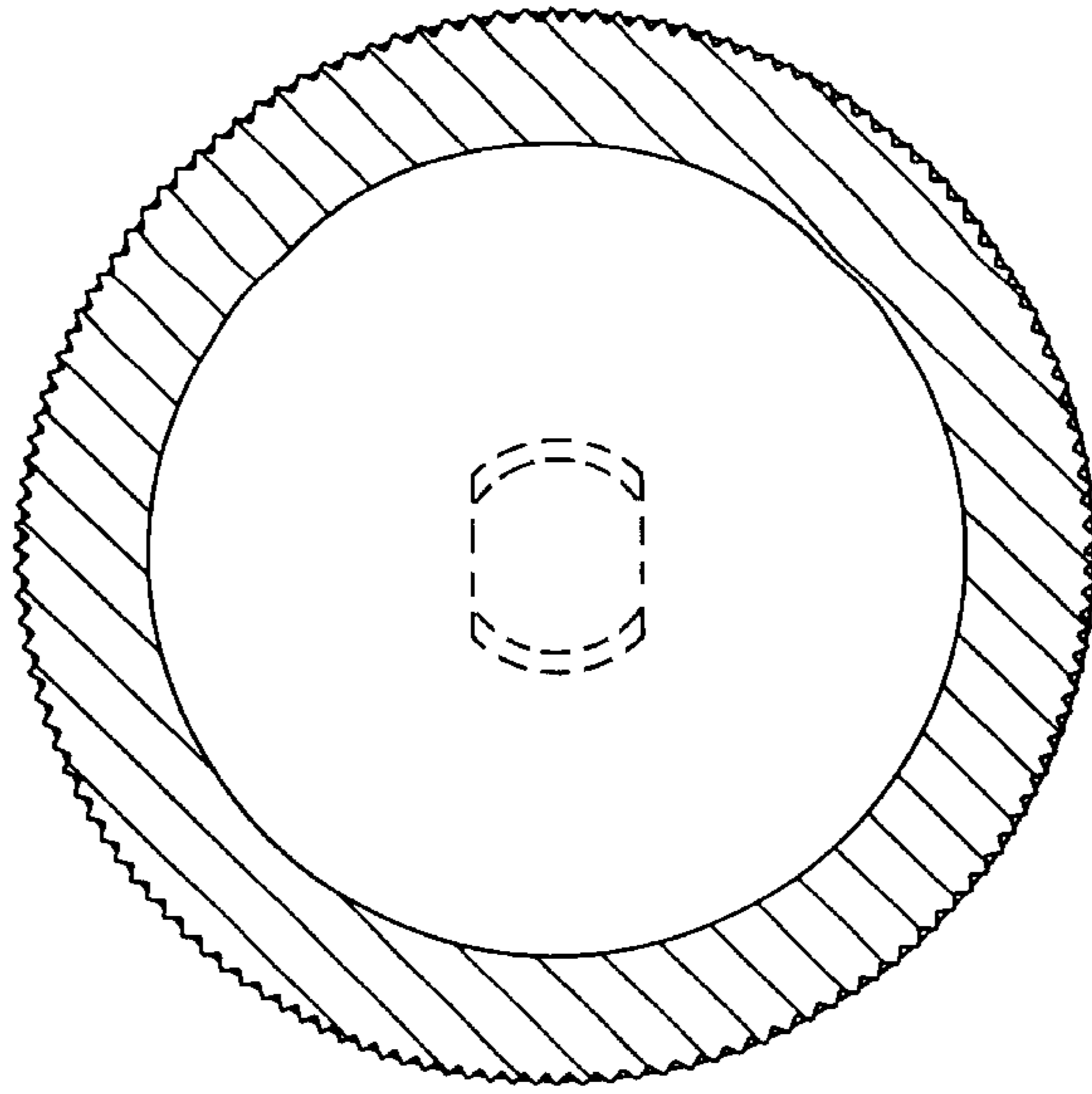


FIG. 35

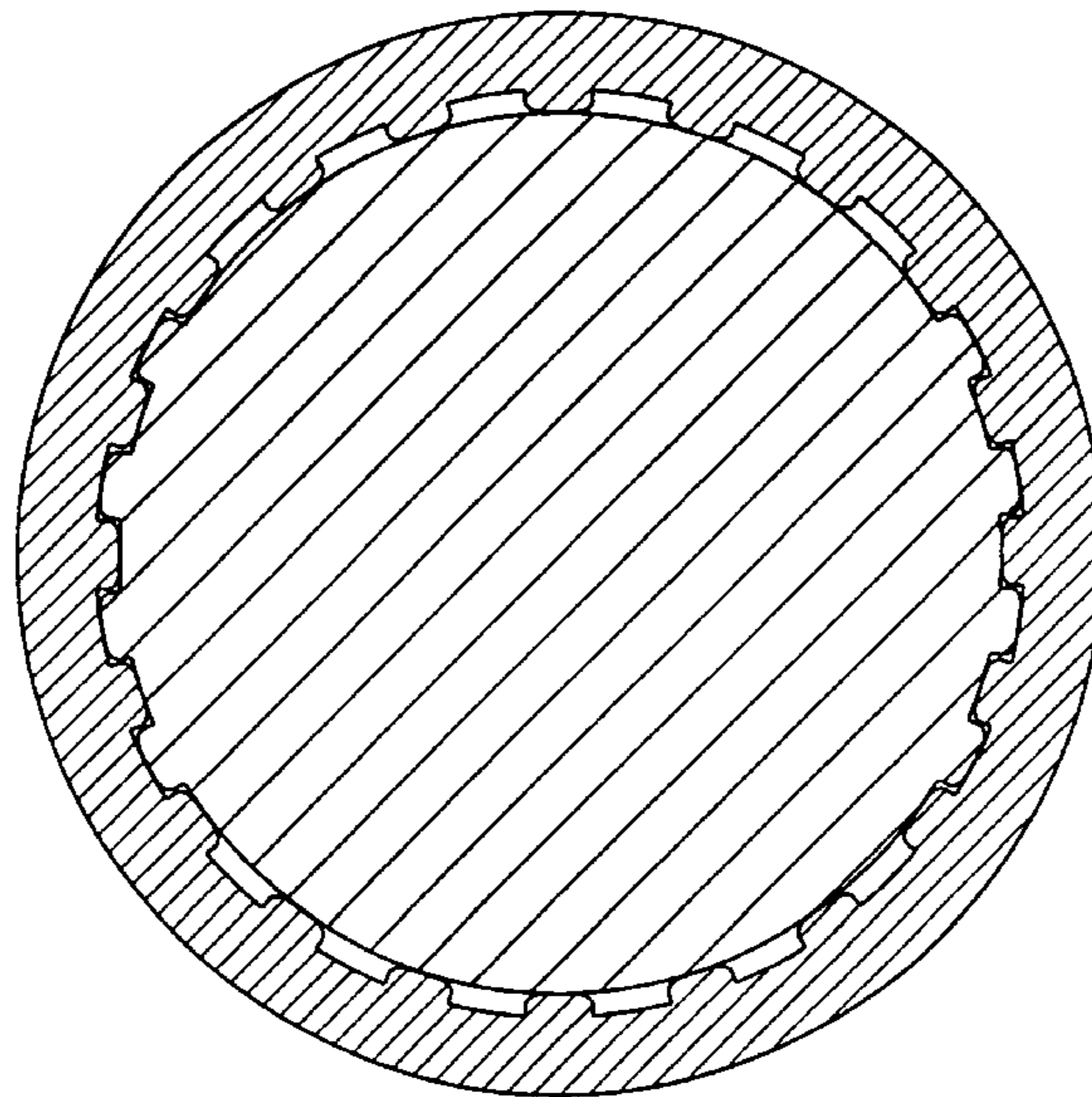


FIG. 36