



US00D486266S

(12) **United States Design Patent**
Wonderley et al.

(10) **Patent No.: US D486,266 S**

(45) **Date of Patent: ** *Feb. 3, 2004**

(54) **COMBINATION RAZOR HANDLE AND RAZOR CARTRIDGE HAVING A SOAP BAR**

(75) Inventors: **Jeffrey Wonderley**, Ft. Defiance, VA (US); **Jason Kite**, Shenandoah, VA (US); **Frank H. Prochaska**, Waynesboro, VA (US)

(73) Assignee: **American Safety Razor**, Verona, VA (US)

(*) Notice: This patent is subject to a terminal disclaimer.

(**) Term: **14 Years**

(21) Appl. No.: **29/169,426**

(22) Filed: **Oct. 21, 2002**

Related U.S. Application Data

(62) Division of application No. 29/142,987, filed on Jun. 7, 2001, now Pat. No. Des. 466,649.

(51) **LOC (7) Cl.** **28-03**

(52) **U.S. Cl.** **D28/46**

(58) **Field of Search** D28/44-48; 30/32, 30/34.05, 34.2, 41, 47-51, 526

(56) **References Cited**

U.S. PATENT DOCUMENTS

D229,249 S	11/1973	Castelli	D28/48
4,094,063 A	6/1978	Trotta	30/47
D257,793 S	1/1981	Gray	D28/48
D269,915 S	7/1983	Iten et al.	D28/46
4,741,103 A	5/1988	Hultman	30/34.2
4,866,844 A	9/1989	Burout, III	30/50
D318,142 S	7/1991	Falchi	D28/46

5,092,042 A	3/1992	Miller et al.	30/77
D345,232 S	3/1994	Gray	D28/46
5,903,979 A	5/1999	Oldroyd	30/41
D425,251 S	5/2000	Gray	D28/48
D439,015 S	3/2001	Wonderley	D28/48
D441,910 S	5/2001	Prochaska	D28/48
D452,348 S	* 12/2001	Wonderley	D28/48
D457,684 S	* 5/2002	Wonderley	D28/48
D458,709 S	* 6/2002	Wonderley	D28/48
D466,649 S	* 12/2002	Wonderley et al.	D28/46

* cited by examiner

Primary Examiner—Philip S. Hyder

Assistant Examiner—C. Tuttle

(74) *Attorney, Agent, or Firm*—McDermott, Will & Emery

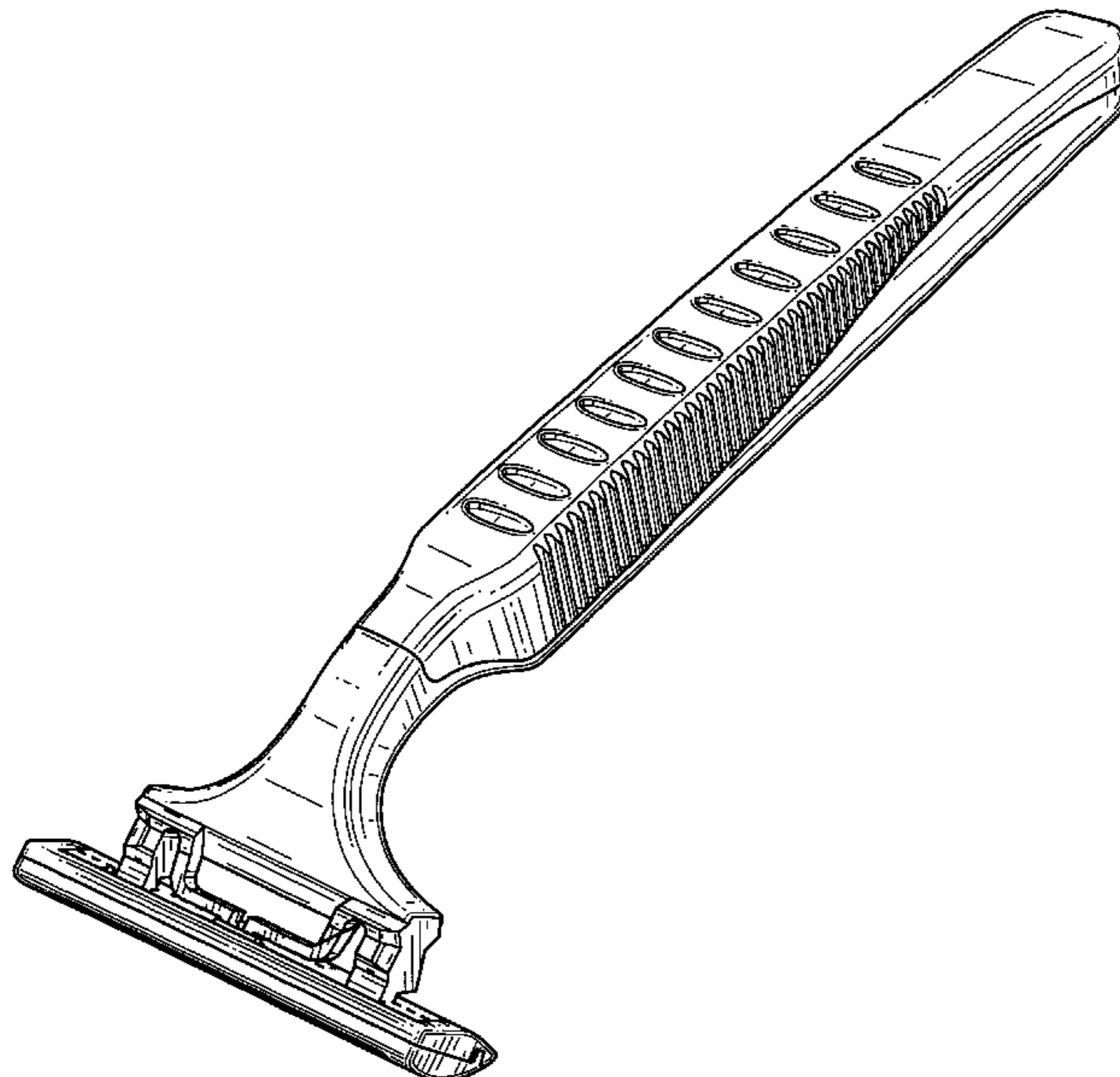
(57) **CLAIM**

The ornamental design for a combination razor handle and razor cartridge having a soap bar, as shown and described in the drawings.

DESCRIPTION

FIG. 1 is a front perspective view of combination razor handle and razor cartridge having a soap bar;
FIG. 2 is a top view of the combination razor handle and razor cartridge having a soap bar;
FIG. 3 is a bottom view of the combination razor handle and razor cartridge having a soap bar;
FIG. 4 is a side view of the combination razor handle and razor cartridge having a soap bar;
FIG. 5 is a front view of the combination razor handle and razor cartridge having a soap bar; and,
FIG. 6 is a back view of the combination razor handle and razor cartridge having a soap bar.
The structures shown in broken lines are for illustrative purposes only and form no part of the claimed design.

1 Claim, 5 Drawing Sheets



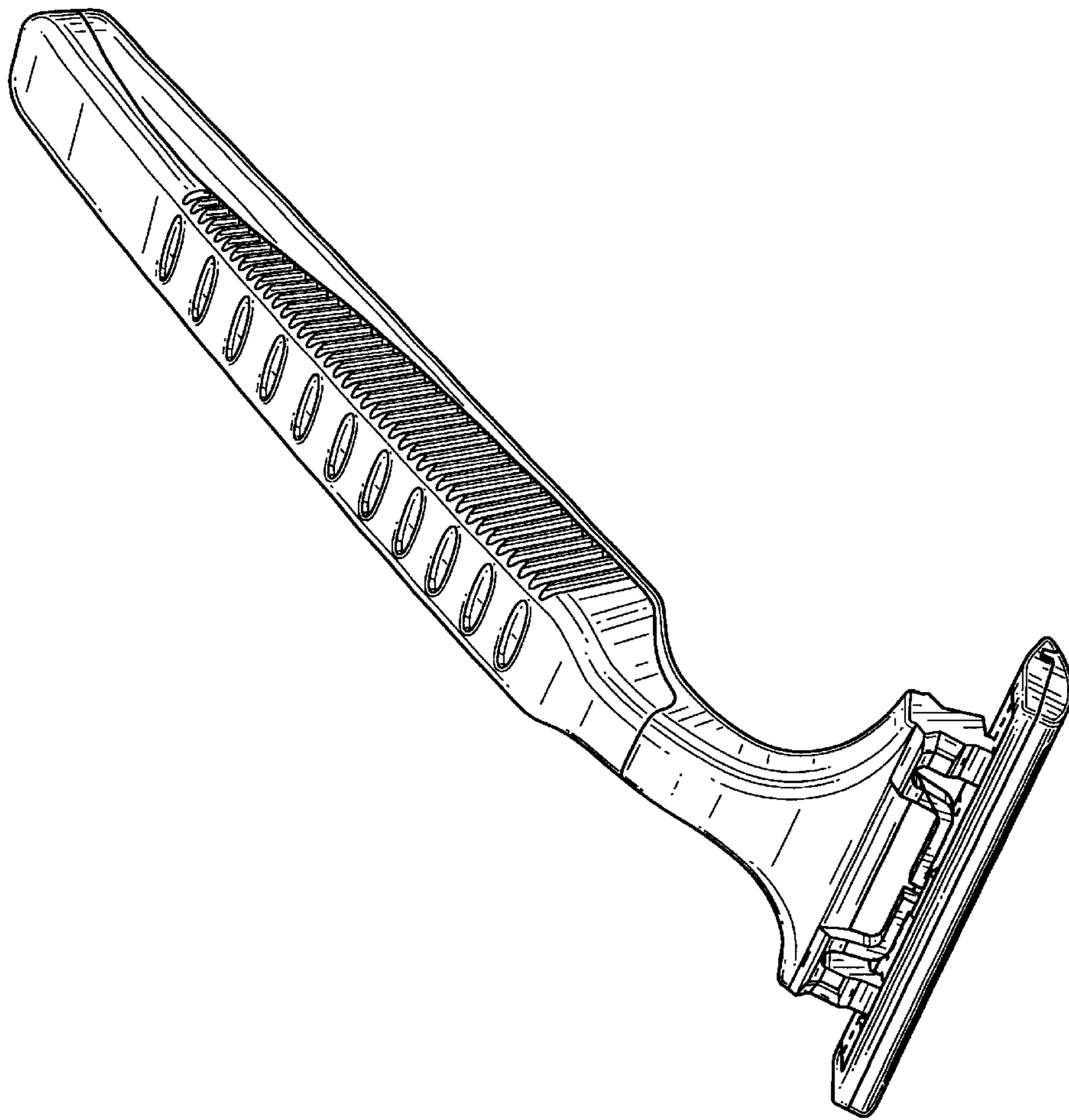


FIG. 1

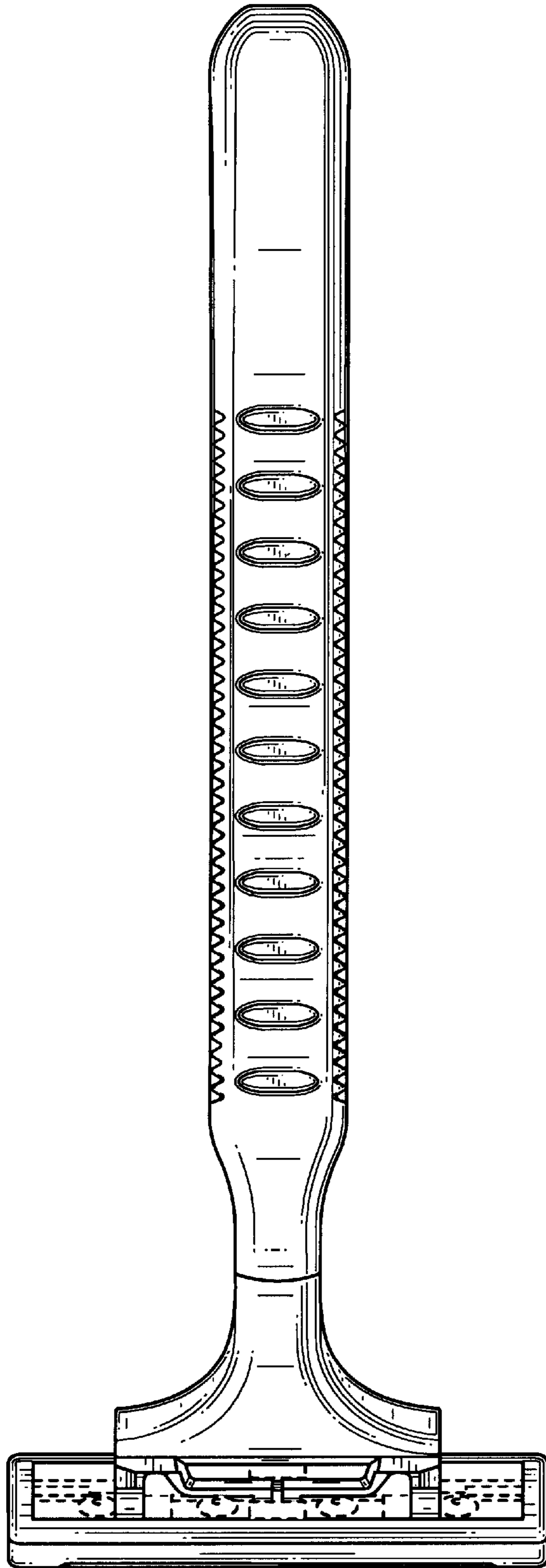


FIG. 2

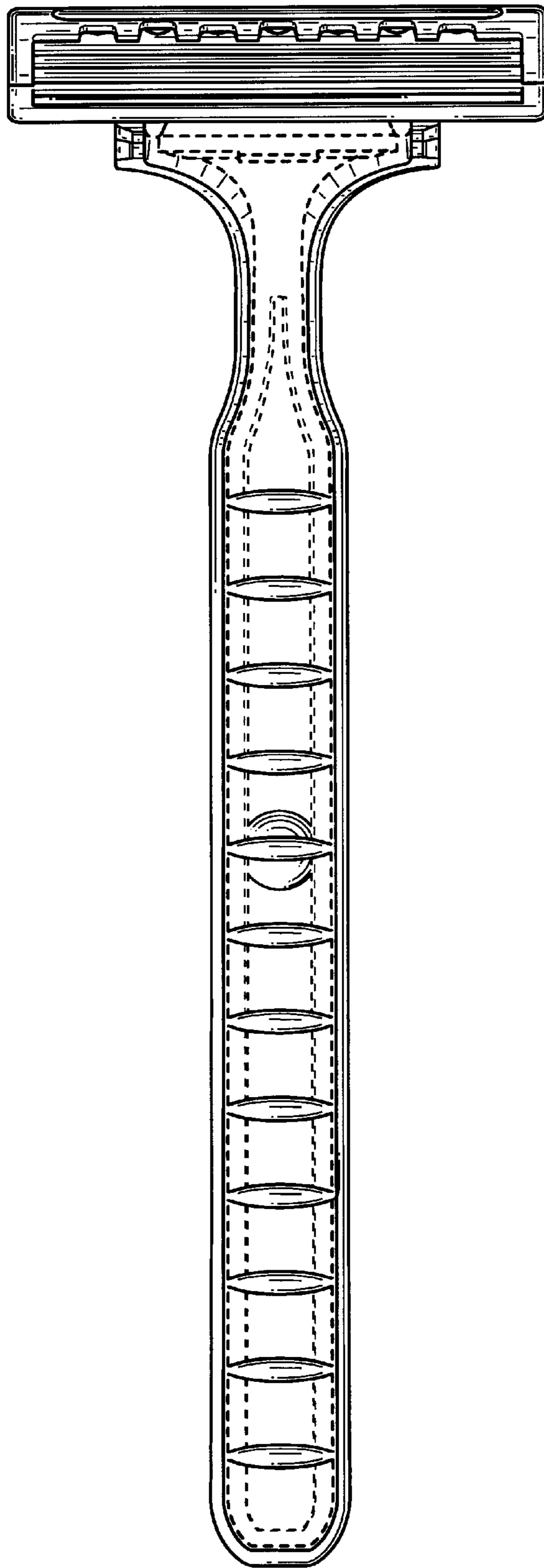


FIG. 3

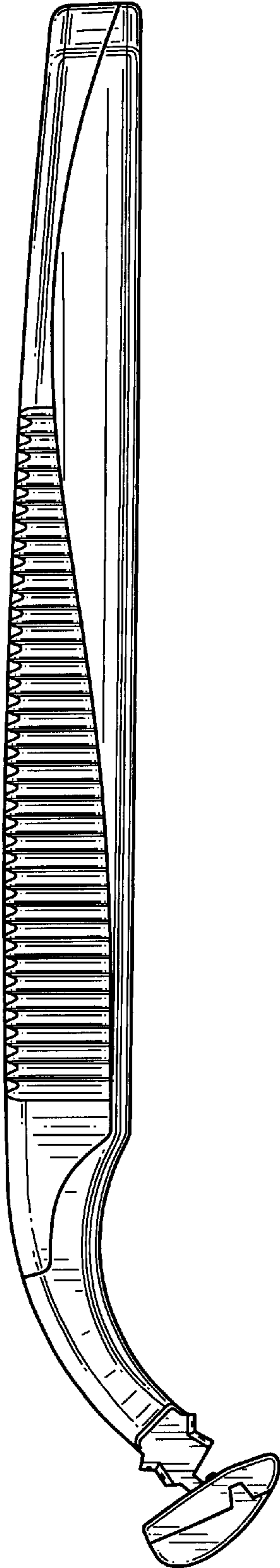


FIG. 4

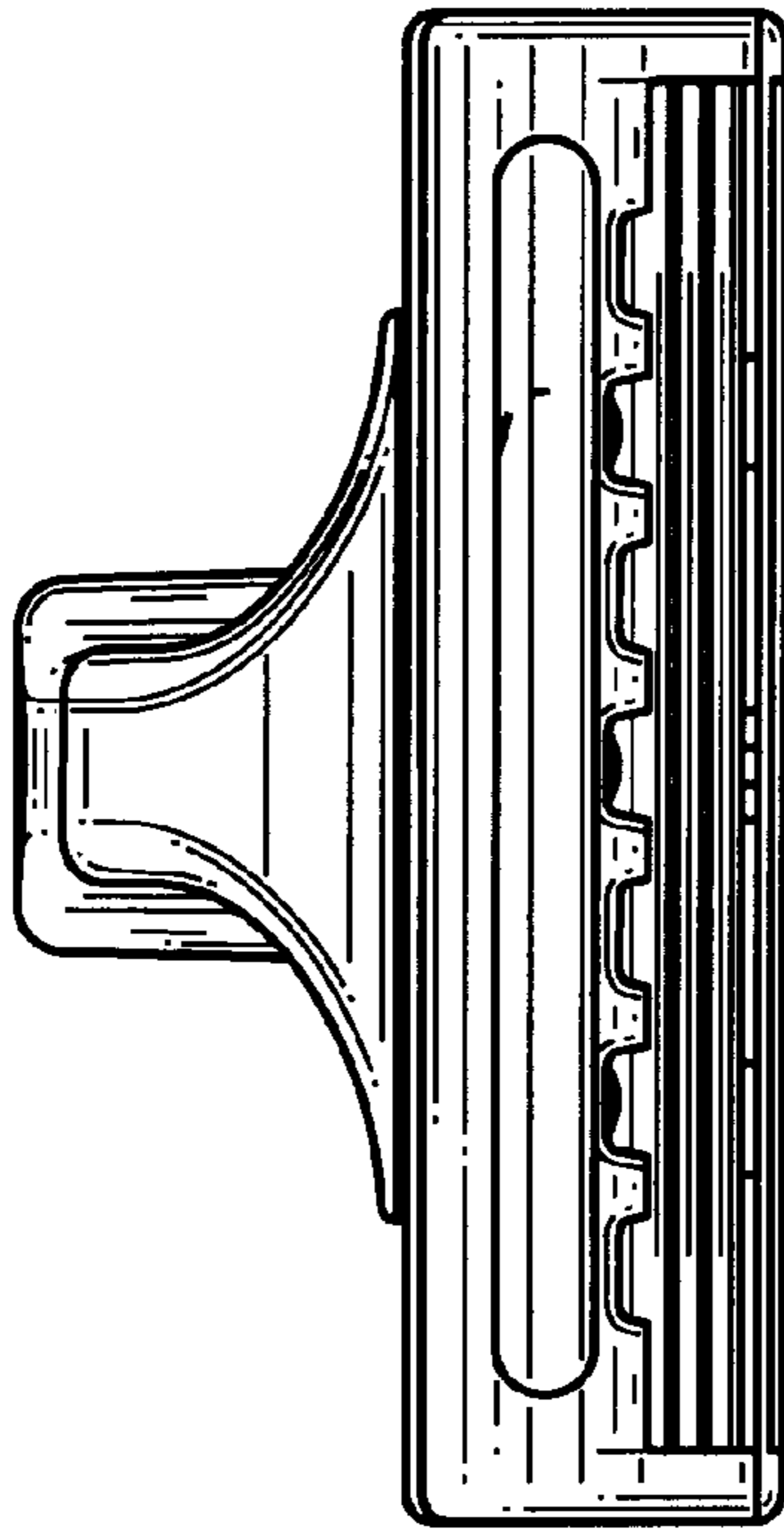


FIG. 5

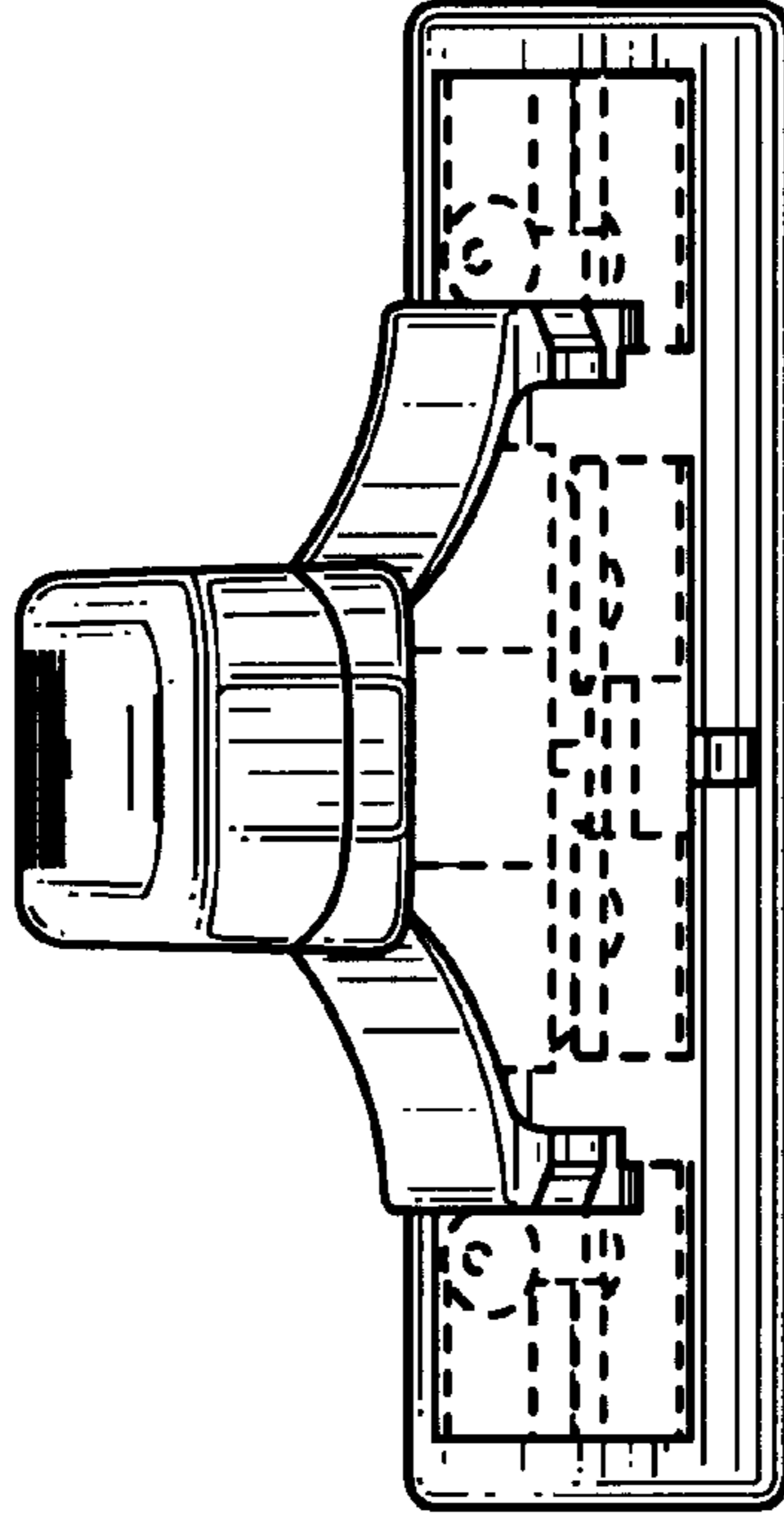


FIG. 6