



US00D486263S

(12) **United States Design Patent**
Grothe et al.

(10) **Patent No.:** **US D486,263 S**

(45) **Date of Patent:** **** Feb. 3, 2004**

(54) **LED ACRYLIC CONDUIT**

(75) Inventors: **William J. Grothe**, Mission Viejo, CA (US); **Jianli Ren**, Aliso Viejo, CA (US)

(73) Assignee: **Lumenyte International Corp.**, Foothill Ranch, CA (US)

(**) Term: **14 Years**

(21) Appl. No.: **29/157,234**

(22) Filed: **Mar. 15, 2002**

(51) **LOC (7) Cl.** **26-99**

(52) **U.S. Cl.** **D26/118; D26/76**

(58) **Field of Search** **362/217-225; D26/118-135, 79, 76, 75**

(56) **References Cited**

U.S. PATENT DOCUMENTS

5,803,588	A	*	9/1998	Costa	362/223
D399,587	S	*	10/1998	Compton et al.	D26/76
6,135,613	A	*	10/2000	Bodell et al.	362/223
D438,326	S	*	2/2001	Kan	D26/76

* cited by examiner

Primary Examiner—Jennifer Rivard

(74) *Attorney, Agent, or Firm*—Jon E. Hokanson, Esq.; Coudert Brothers LLP

(57) **CLAIM**

We claim the ornamental design for an LED acrylic conduit, as shown and described.

DESCRIPTION

An LED acrylic conduit light fixture having the shape of a semi-circular cylinder with quarter-spherical ends from the apical surface of which extends a parallel smaller semi-circular cylinder with quarter-spherical ends.

FIG. 1 is an overall perspective view of the ornamental design of the present invention.

FIG. 2 is a top view of the ornamental design of the present invention.

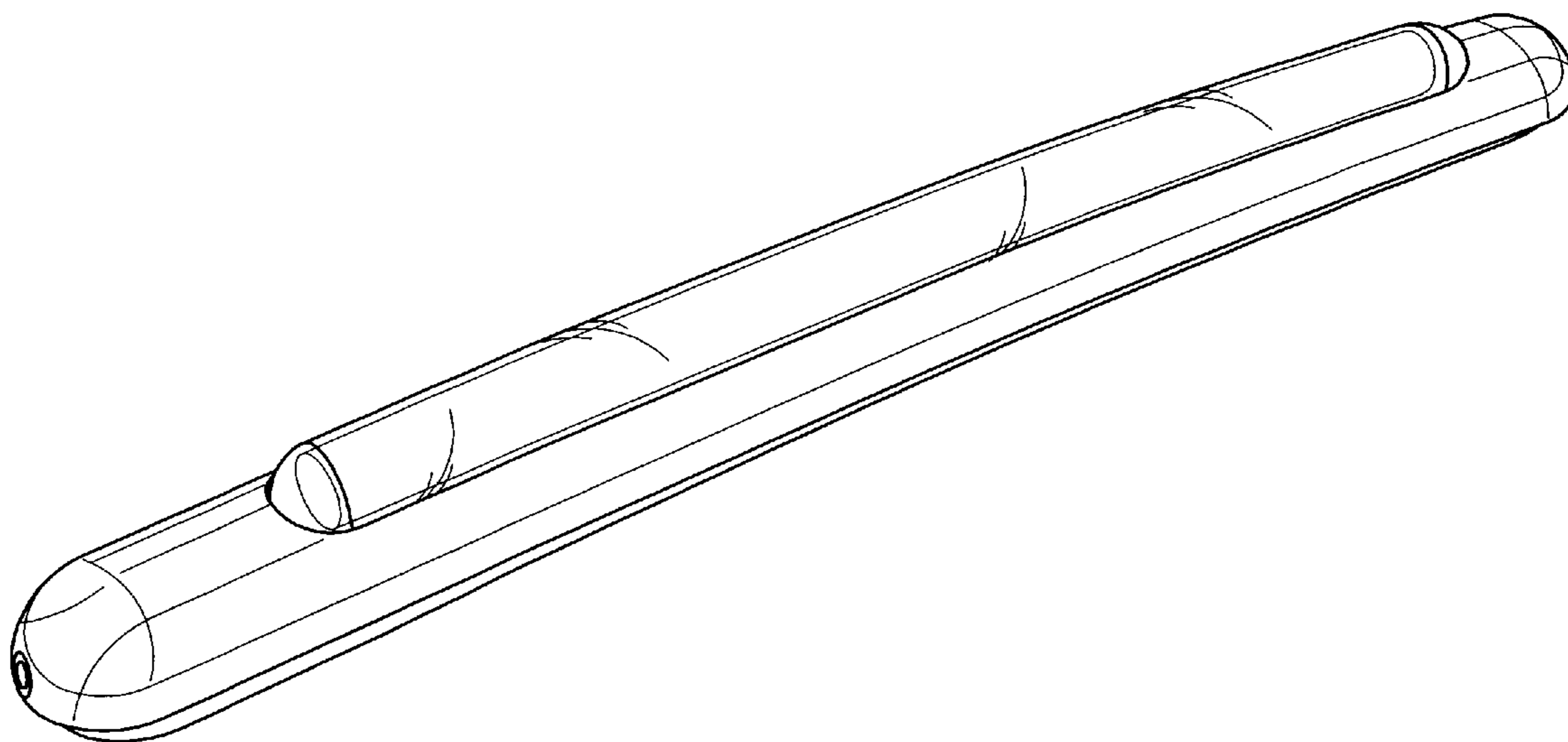
FIG. 3 is a side view of the ornamental design of the present symmetrical invention.

FIG. 4 is a front view of the ornamental design of the present invention.

FIG. 5 is a back view of the ornamental design of the present invention; and,

FIG. 6 is a bottom view of the ornamental design of the present invention.

1 Claim, 2 Drawing Sheets



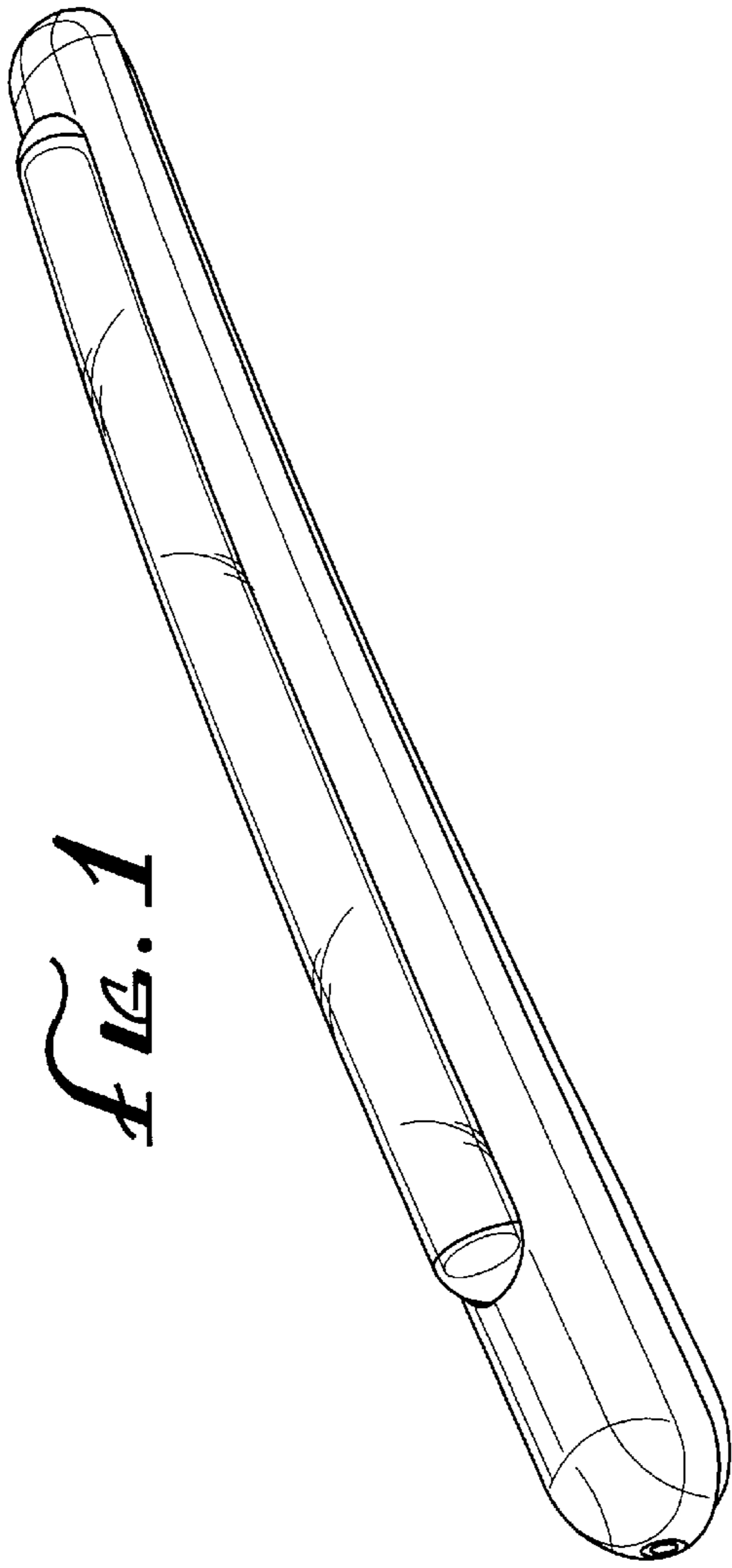


FIG. 2

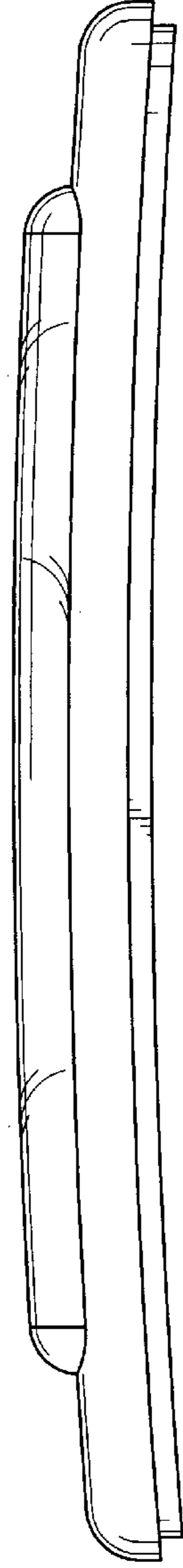
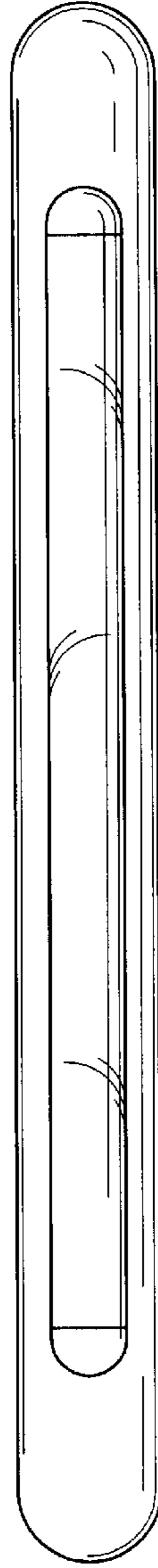


FIG. 3

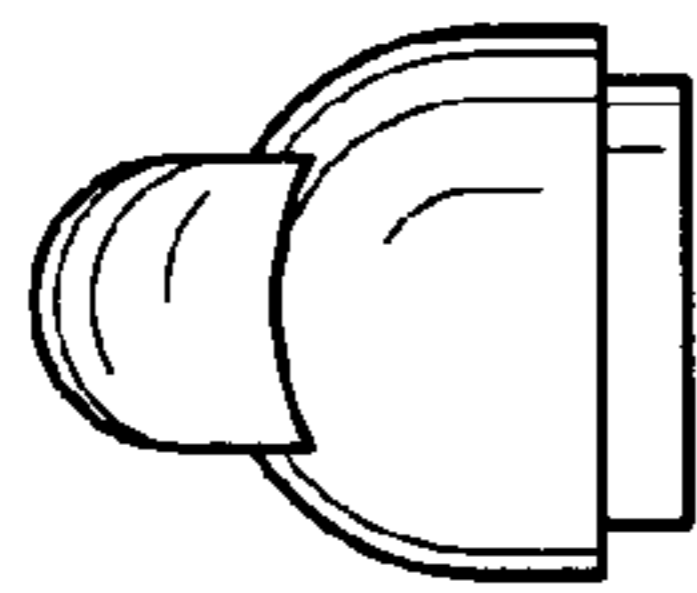


FIG. 4

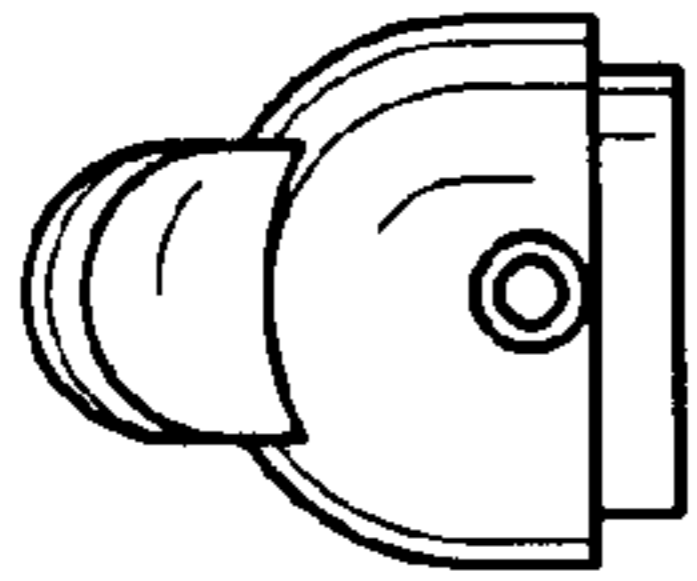


FIG. 5

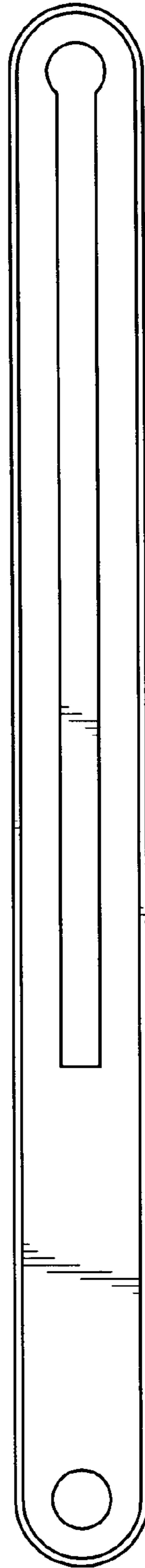


FIG. 6