



US00D486262S

(12) **United States Design Patent**  
**Chen**

(10) **Patent No.:** **US D486,262 S**

(45) **Date of Patent:** **\*\* Feb. 3, 2004**

(54) **LAMP**

6,450,668 B1 \* 9/2002 Kotloff ..... 362/221  
6,467,933 B2 \* 10/2002 Baar ..... 362/217

(76) Inventor: **Wen-Tsung Chen**, No. 15-1, Fen Liaw Road, Tong Lin Tsun, Linkou, Taipei Hsien (TW)

\* cited by examiner

(\*\*) Term: **14 Years**

*Primary Examiner*—Clare E. Heflin

(74) *Attorney, Agent, or Firm*—Rosenberg, Klein & Lee

(21) Appl. No.: **29/169,035**

(57) **CLAIM**

(22) Filed: **Oct. 15, 2002**

The ornamental design for a “lamp”, as shown and described.

(51) **LOC (7) Cl.** ..... **26-03**

**DESCRIPTION**

(52) **U.S. Cl.** ..... **D26/77**

(58) **Field of Search** ..... D26/24, 72, 75-78;  
362/217-225, 404, 147, 151, 133

FIG. 1 is a perspective view of a “lamp” showing my new design;

FIG. 2 is a front view thereof;

FIG. 3 is a rear view thereof;

FIG. 4 is a left side view thereof;

FIG. 5 is a right side view thereof;

FIG. 6 is a top view thereof;

FIG. 7 is a bottom view thereof; and,

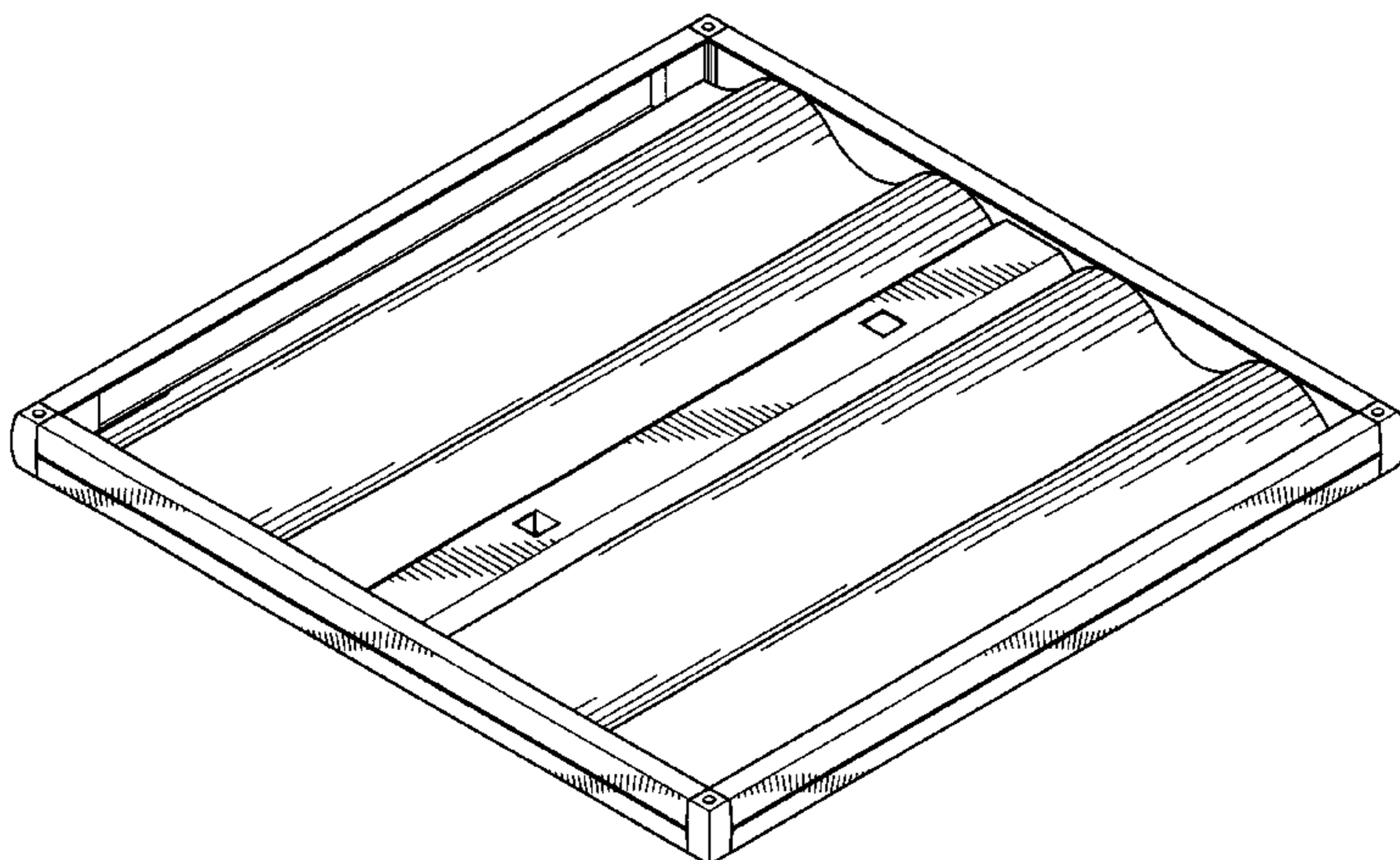
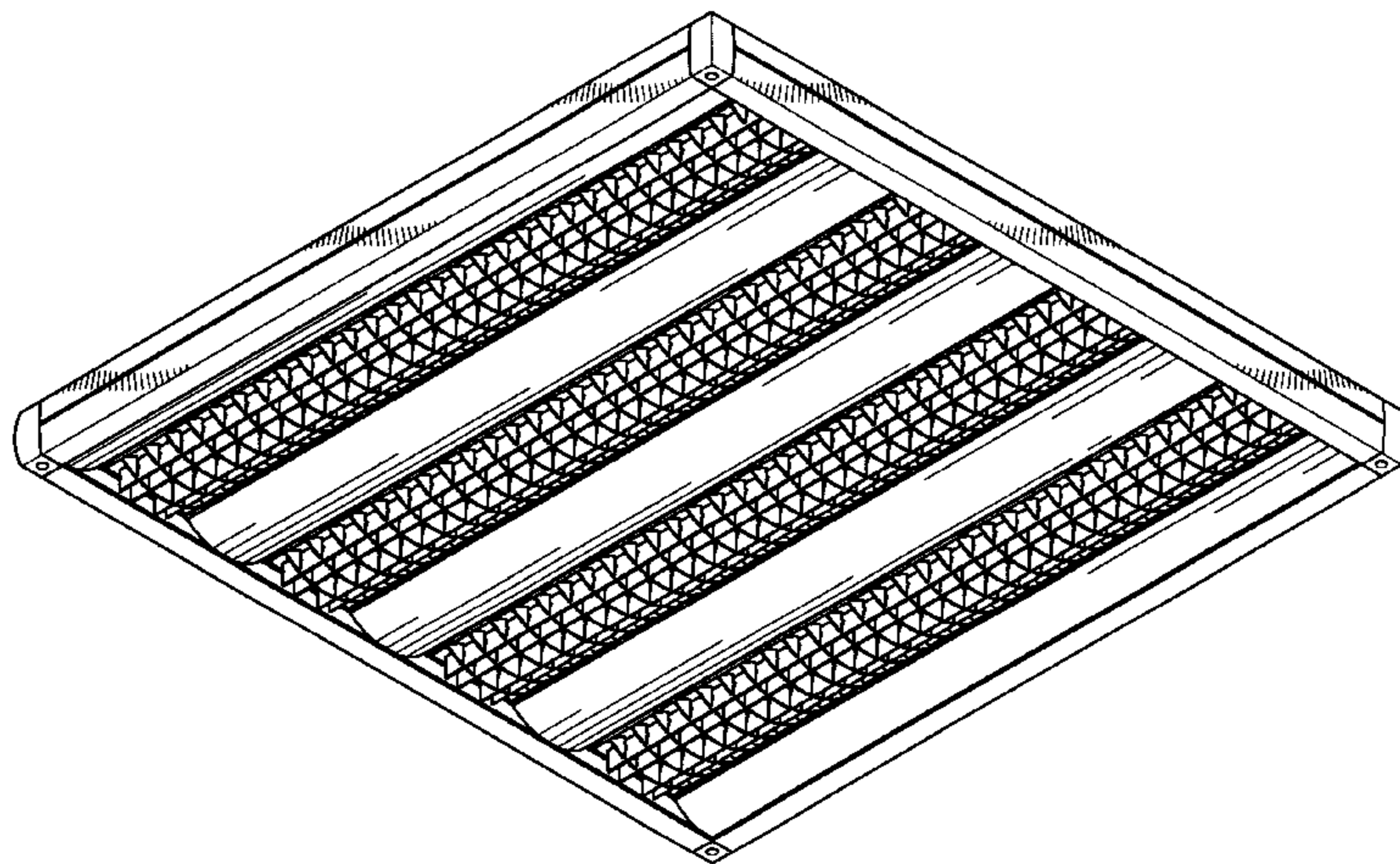
FIG. 8 is a perspective view viewed from another visual angle.

(56) **References Cited**

**U.S. PATENT DOCUMENTS**

D135,837 S	*	6/1943	Vendope	.....	362/219
4,622,624 A	*	11/1986	McCarthy et al.	.....	362/217
D365,409 S	*	12/1995	Lu	.....	D26/77
5,803,589 A	*	9/1998	Lee	.....	362/225
D441,117 S	*	4/2001	Grimm	.....	D26/76
6,331,064 B1	*	12/2001	Nishiyama et al.	.....	362/260

**1 Claim, 5 Drawing Sheets**



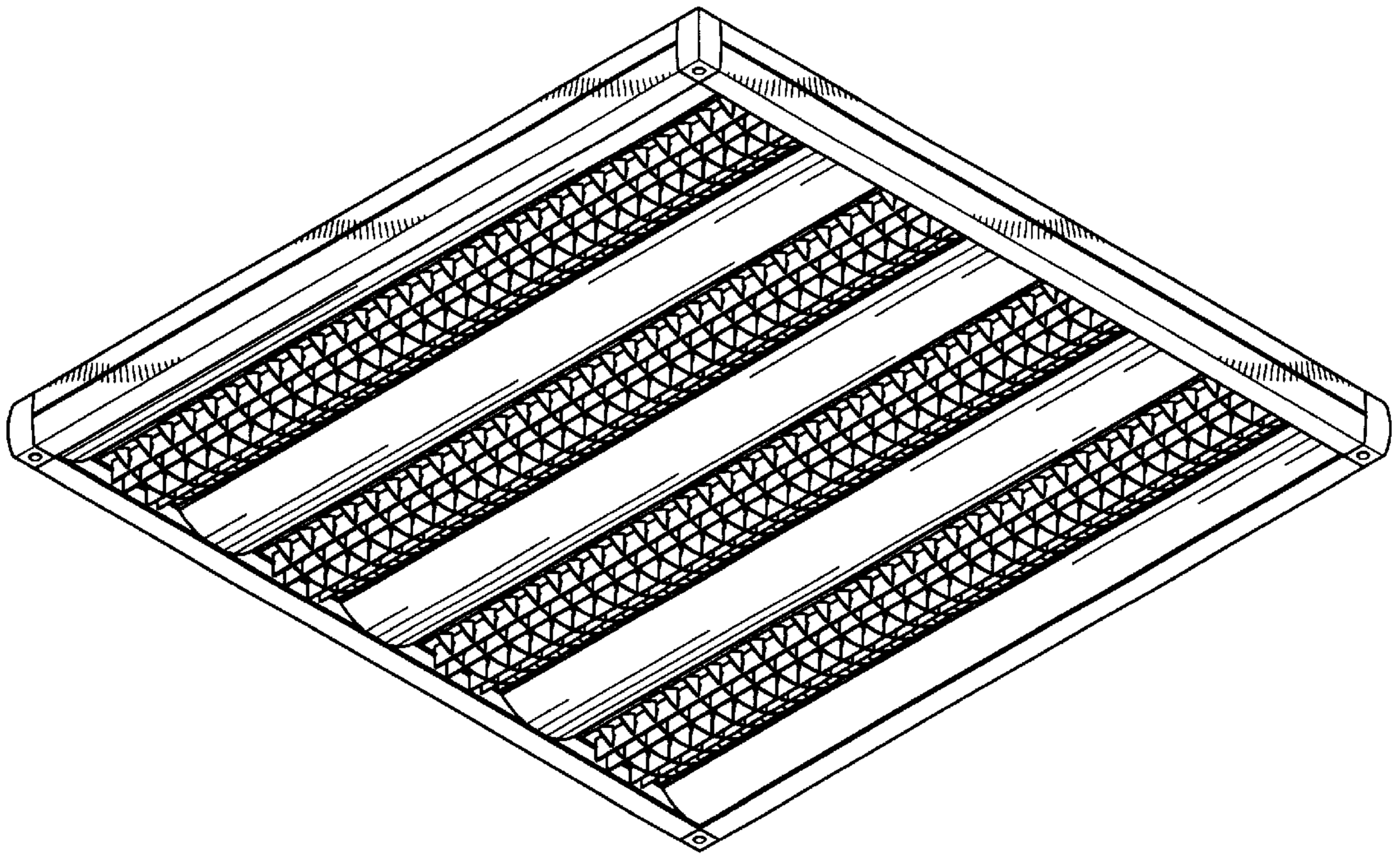


FIG. 1



FIG. 2



FIG. 3



FIG. 4



FIG. 5

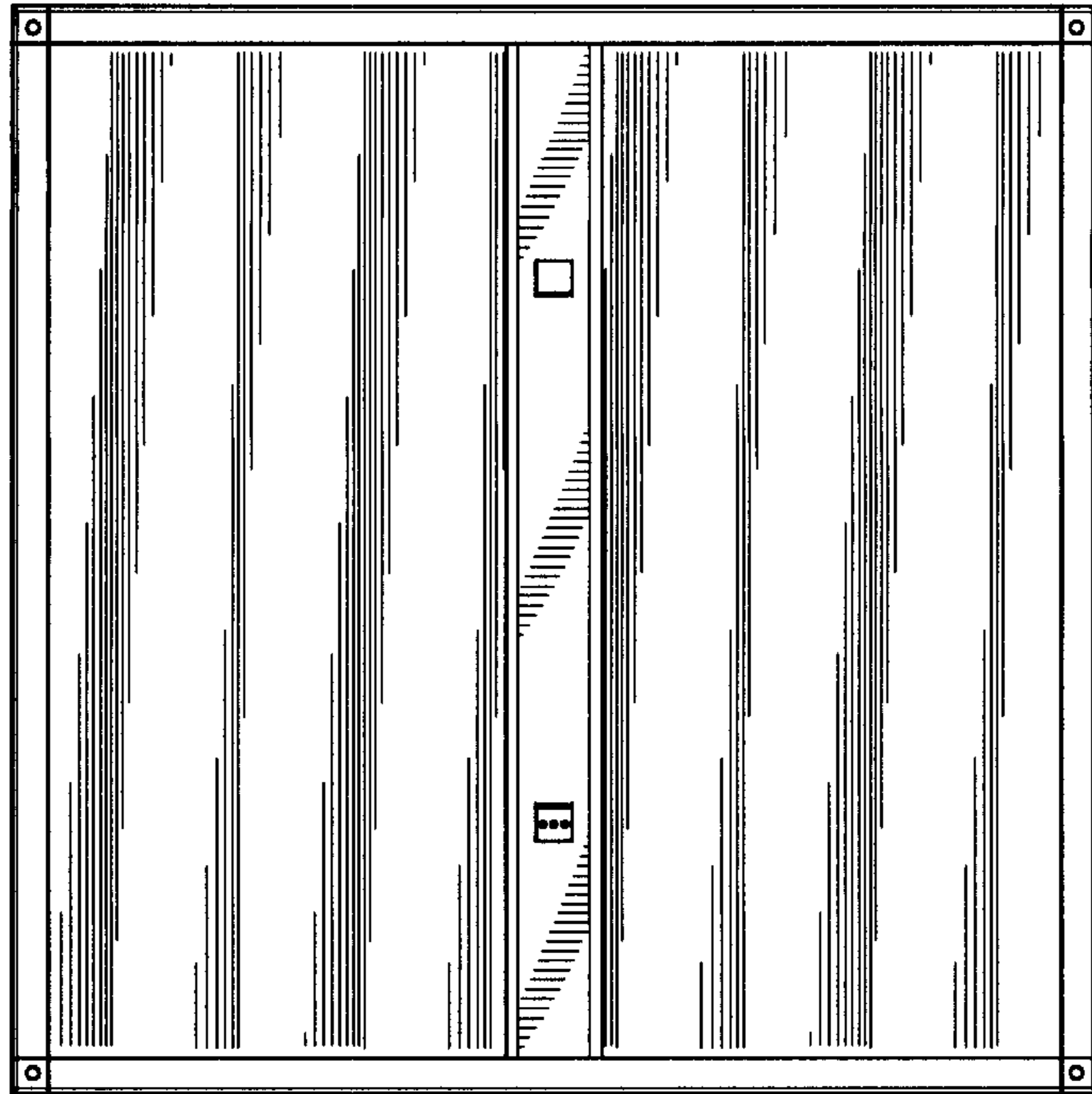


FIG. 6

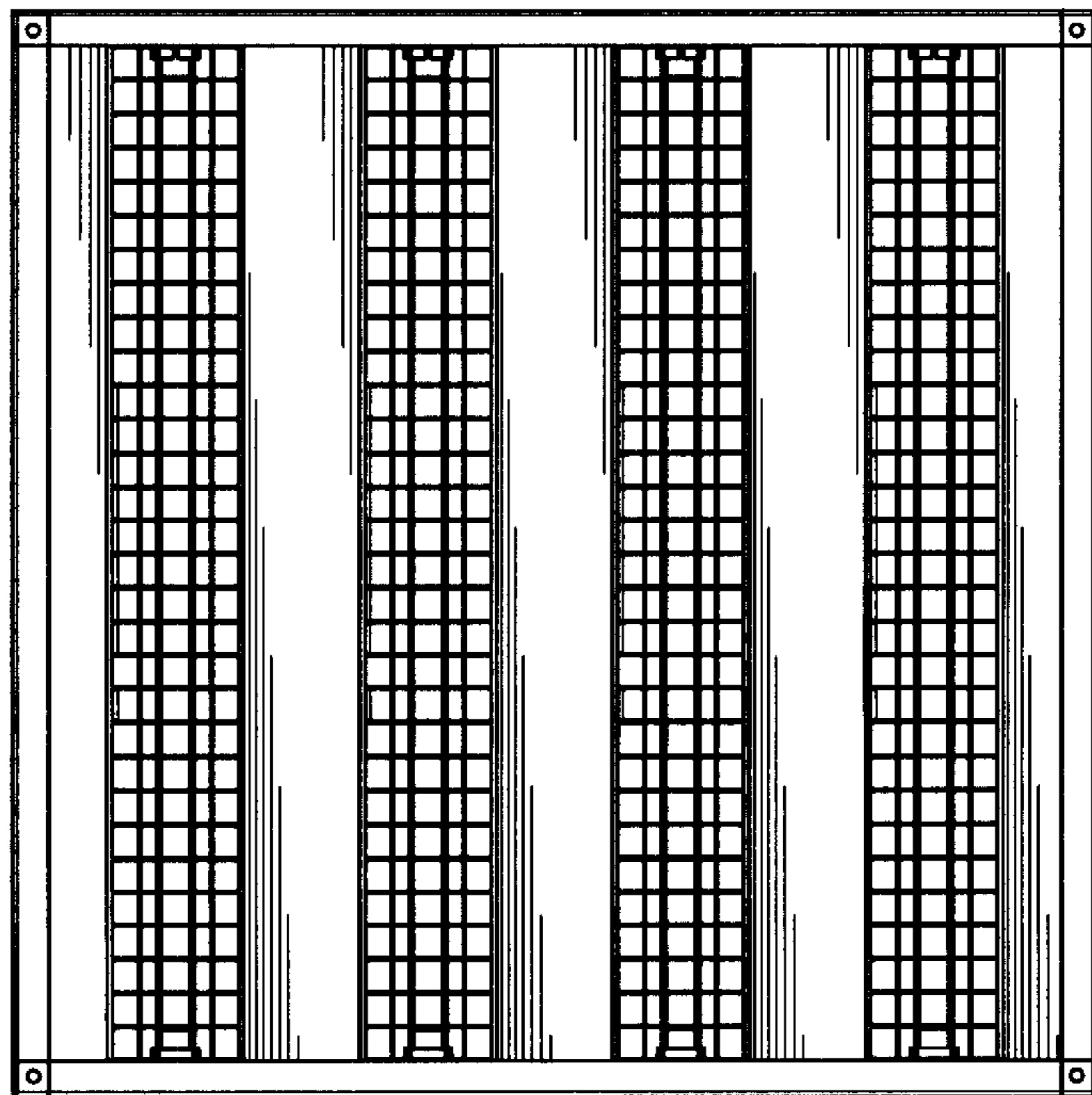


FIG. 7

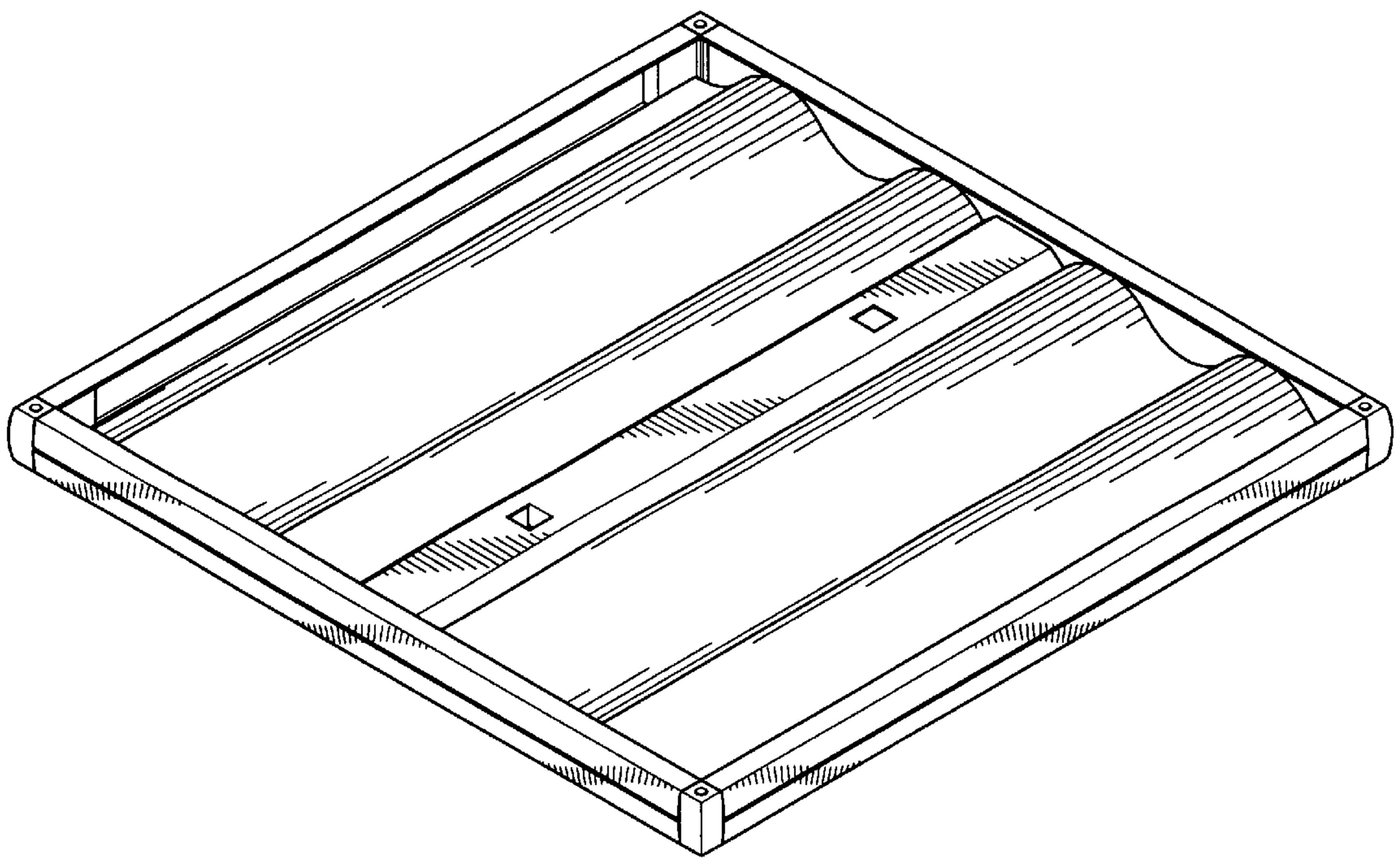


FIG. 8