



US00D486261S

(12) **United States Design Patent**
Tsai

(10) **Patent No.:** **US D486,261 S**

(45) **Date of Patent:** **** Feb. 3, 2004**

(54) **WORK LIGHT**

(75) **Inventor:** **Peter Tsai, Taipei (TW)**

(73) **Assignee:** **Pollux Lighting Inc., Tortola (VG)**

(**) **Term:** **14 Years**

(21) **Appl. No.:** **29/183,618**

(22) **Filed:** **Jun. 16, 2003**

(51) **LOC (7) Cl.** **26-05**

(52) **U.S. Cl.** **D26/63**

(58) **Field of Search** D26/60-66, 119;
362/269, 274, 275, 285, 418, 419, 427,
428, 430, 376

(56) **References Cited**

U.S. PATENT DOCUMENTS

- D369,227 S * 4/1996 Sumer D26/63
- D375,377 S * 11/1996 Leen D26/63
- D420,159 S * 2/2000 Duennes et al. D26/63

- 6,050,710 A * 4/2000 Grossman et al. 362/427
- 6,328,460 B1 * 12/2001 Grossman et al. 362/269
- D461,018 S * 7/2002 Leen D26/60

* cited by examiner

Primary Examiner—Clare E. Heflin

(74) *Attorney, Agent, or Firm*—Rabin & Berdo, P.C.

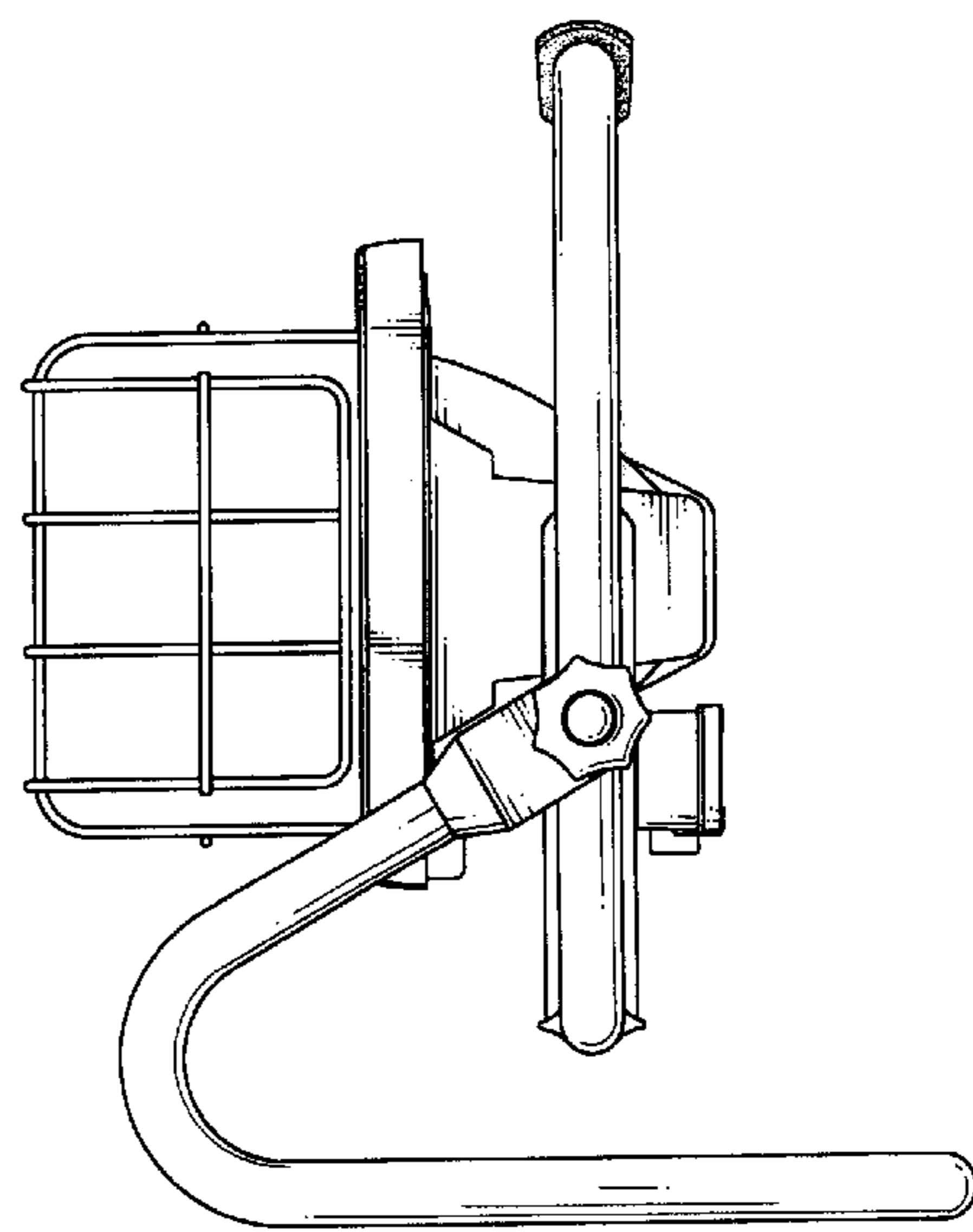
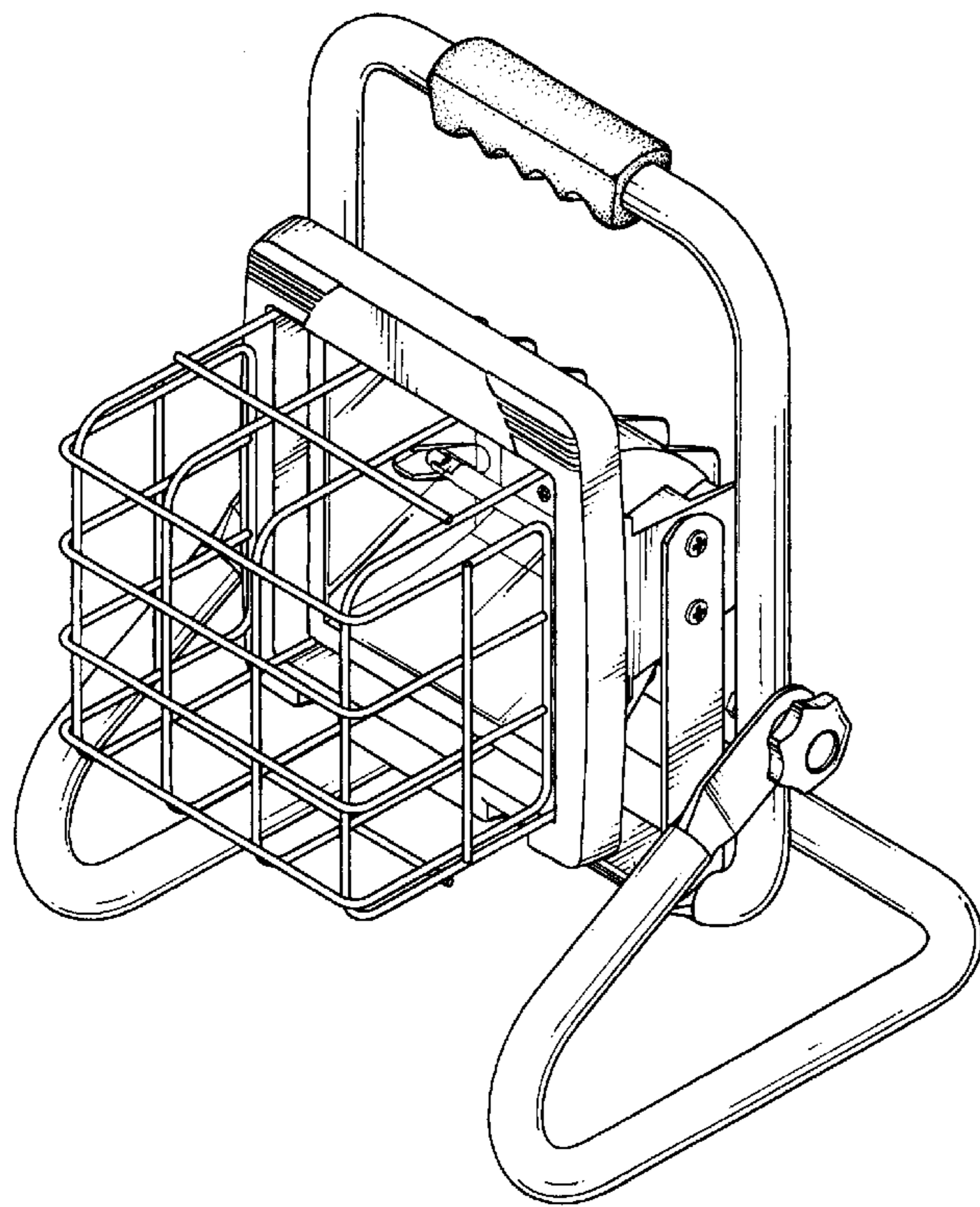
(57) **CLAIM**

The ornamental design for a work light, as shown.

DESCRIPTION

FIG. 1 is a perspective view of a work light, showing my new design;
 FIG. 2 is a front elevational view thereof;
 FIG. 3 is a rear elevational view thereof;
 FIG. 4 is a left elevational view thereof;
 FIG. 5 is a right elevational view thereof;
 FIG. 6 is a top plan view thereof; and,
 FIG. 7 is a bottom plan view thereof.

1 Claim, 4 Drawing Sheets



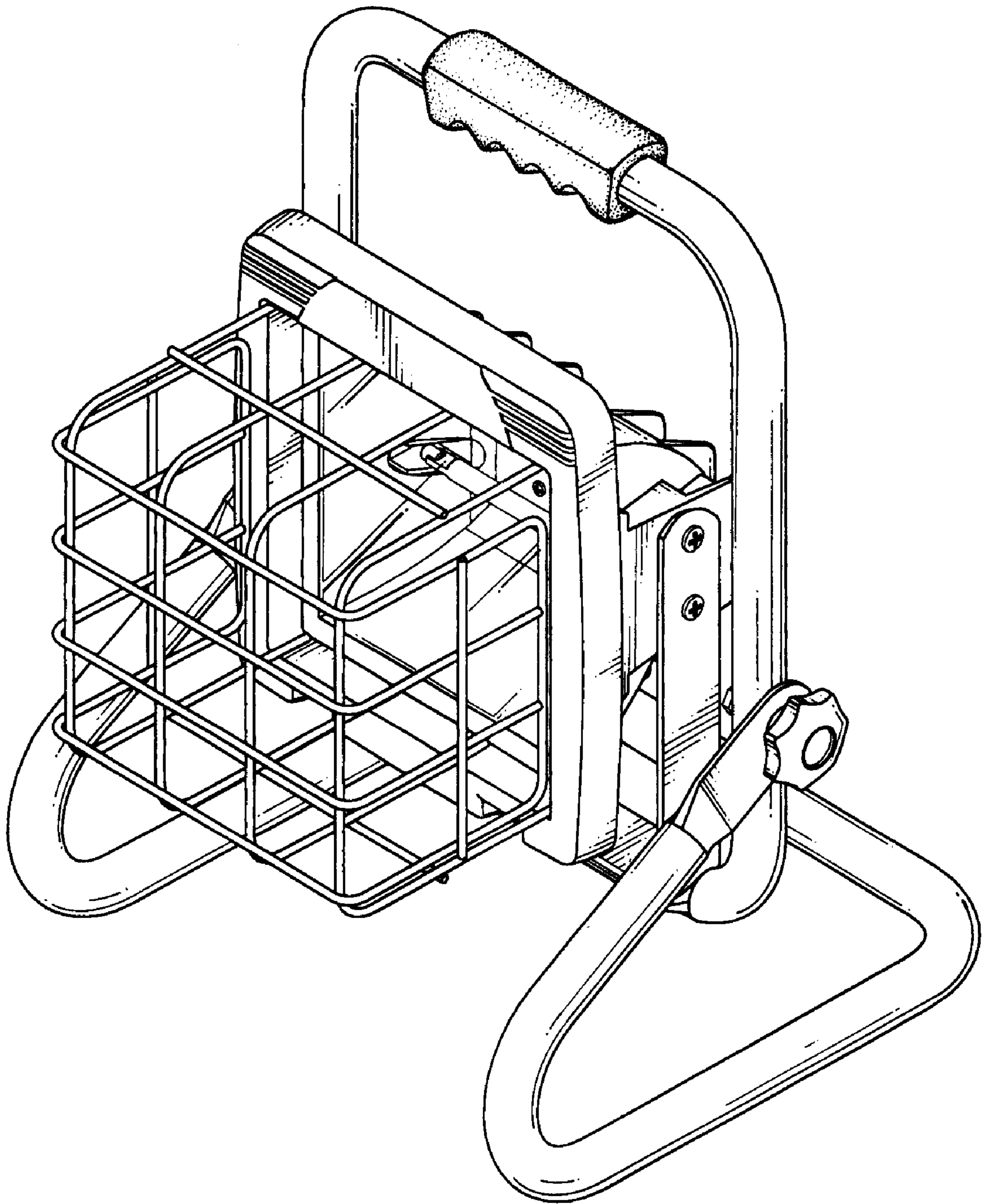


FIG. 1

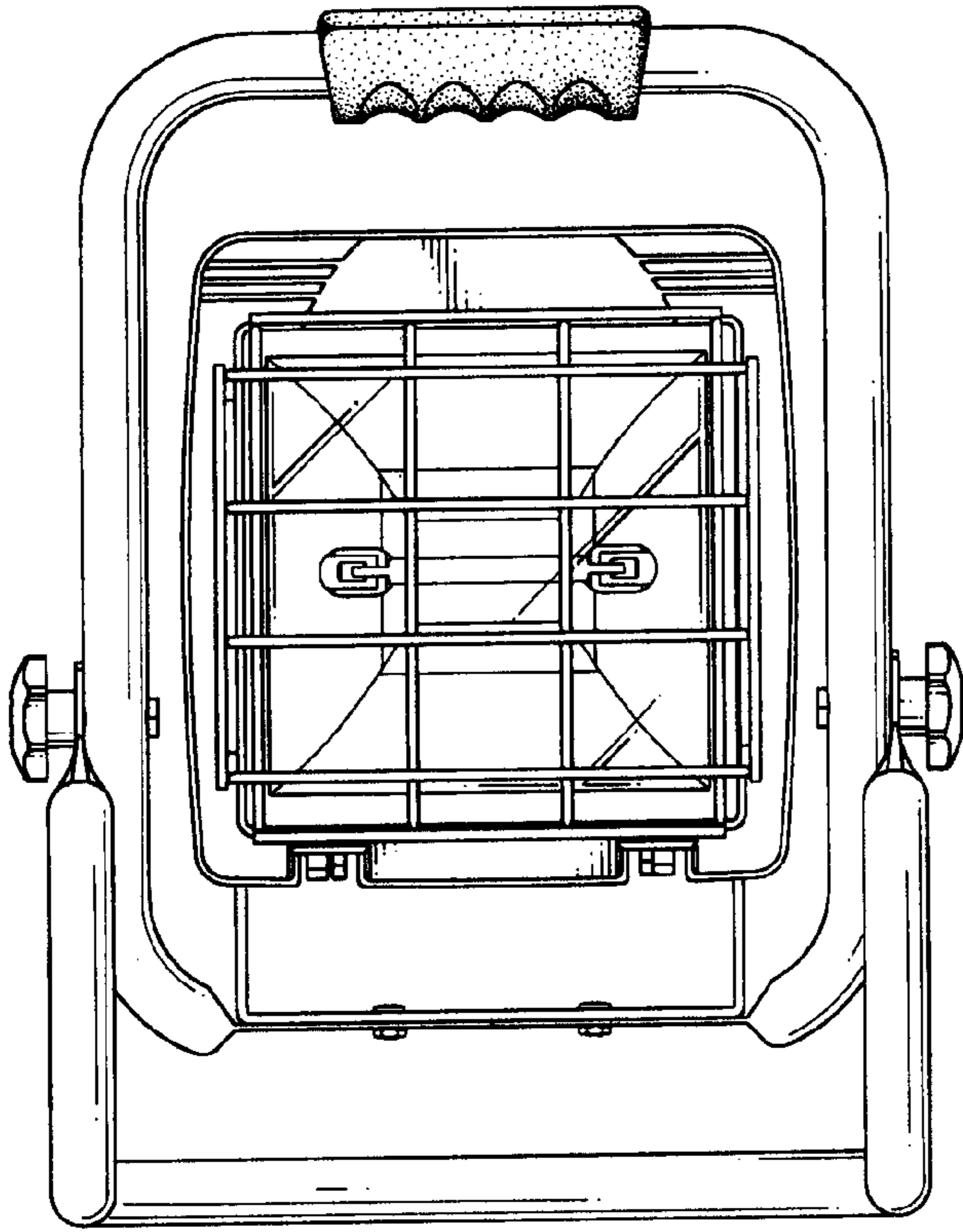


FIG. 2

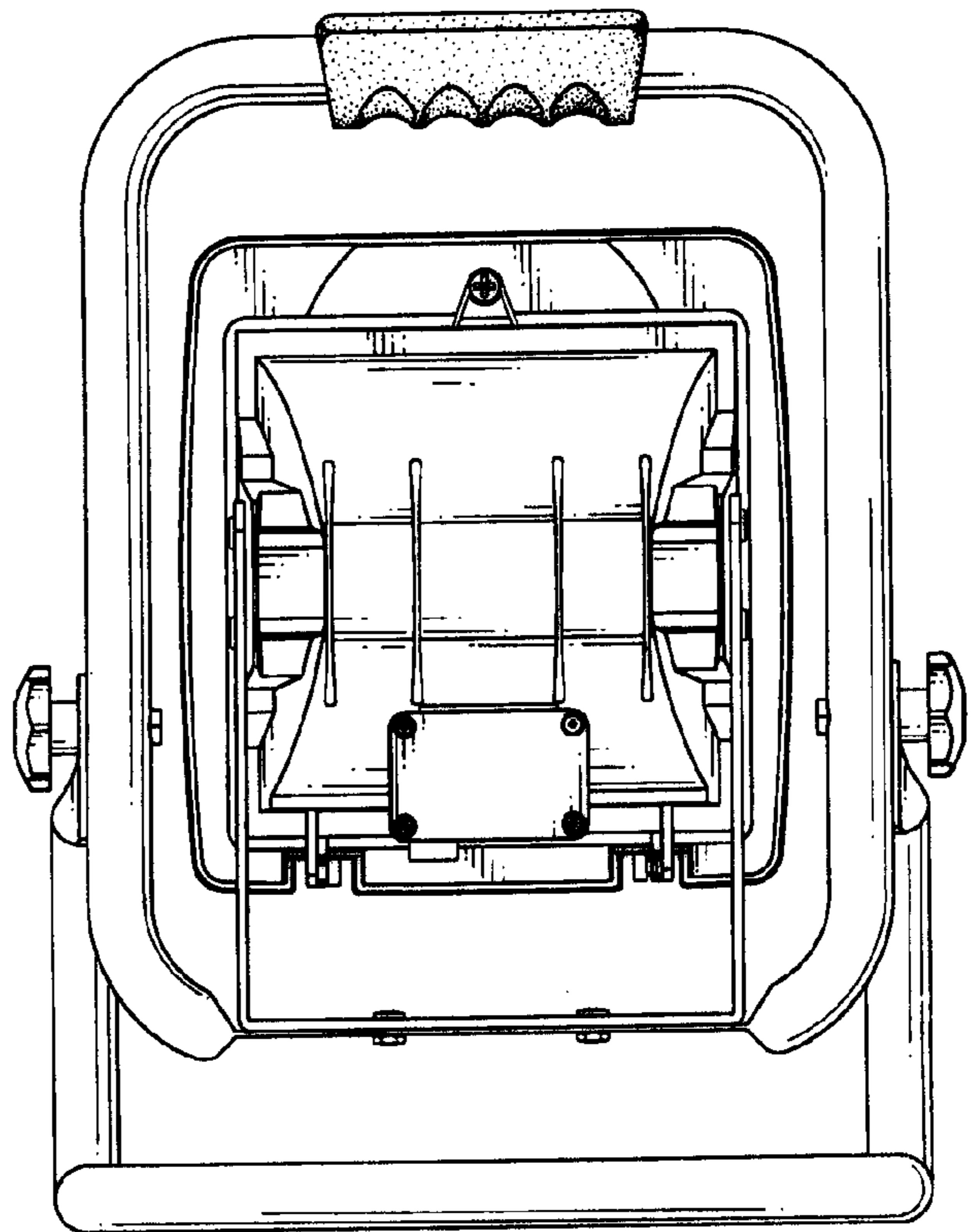


FIG. 3

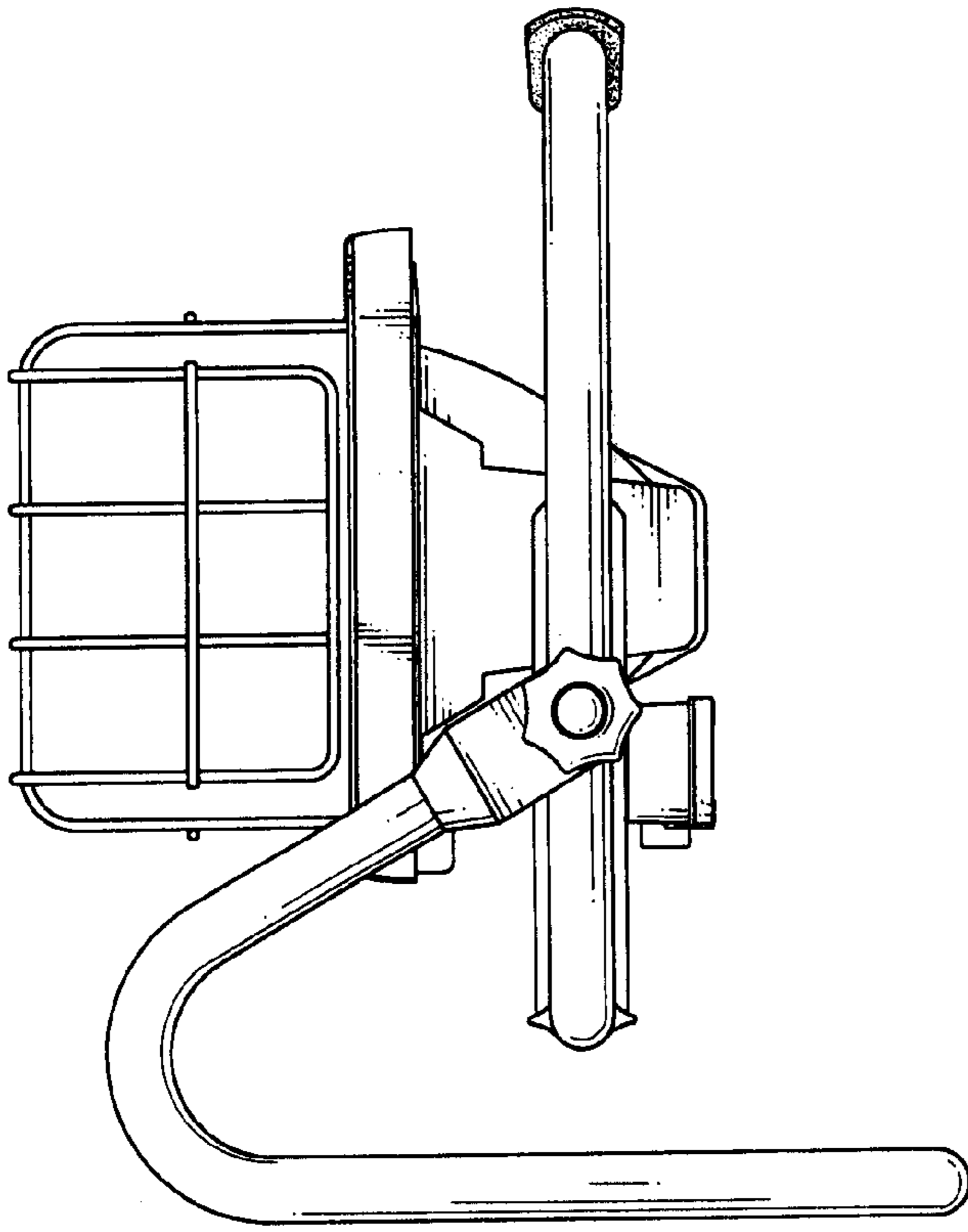


FIG. 5

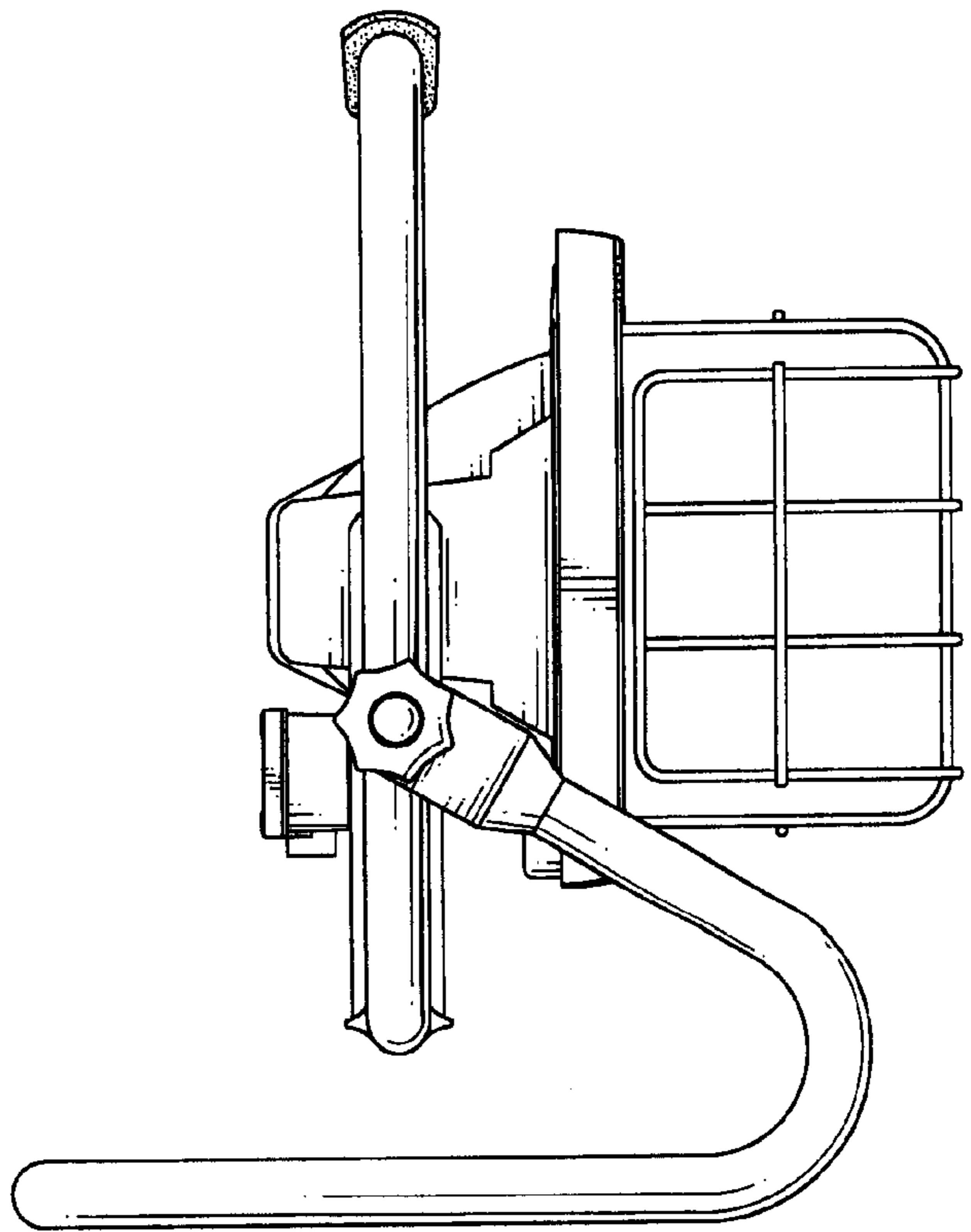


FIG. 4

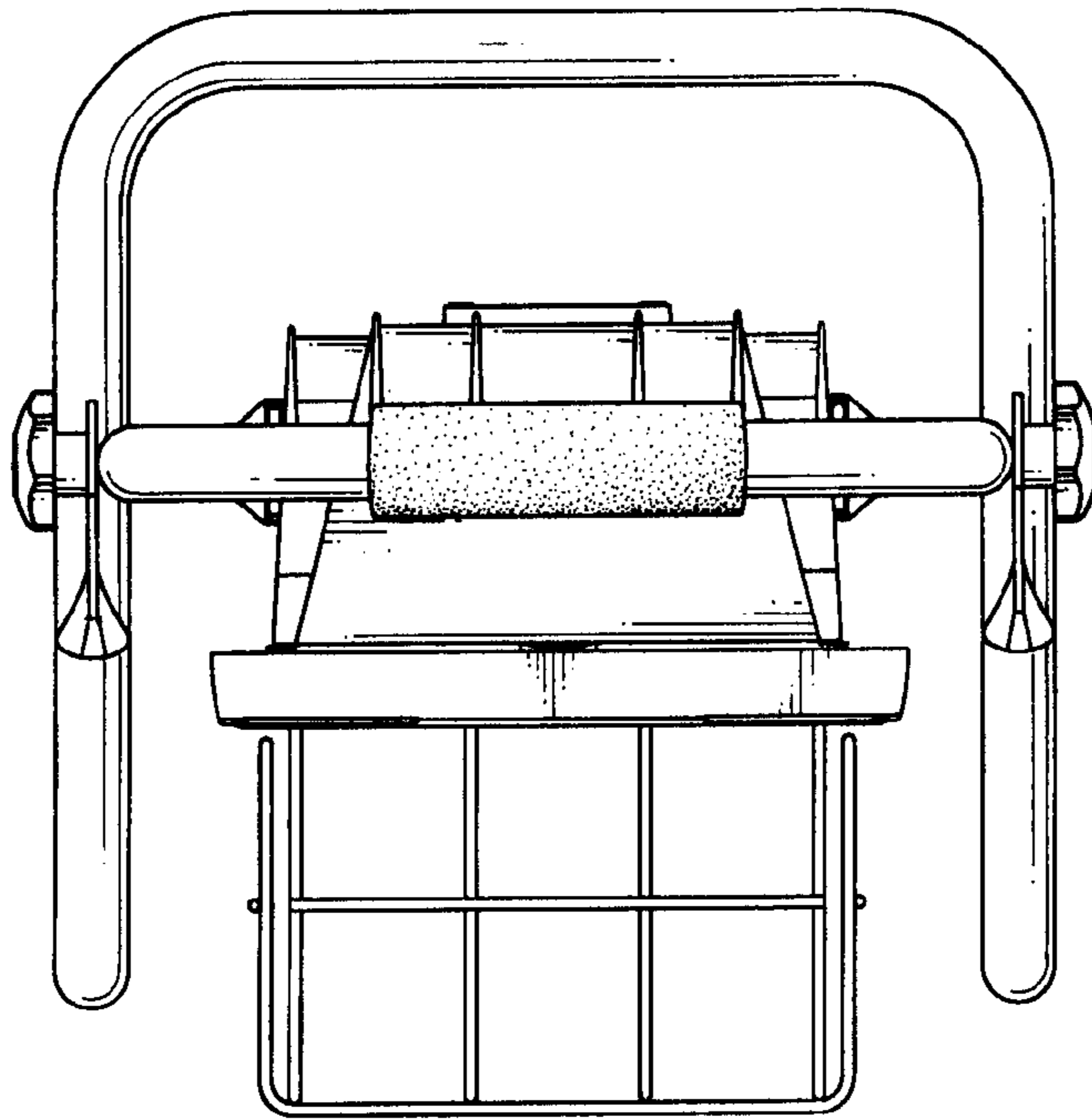


FIG. 6

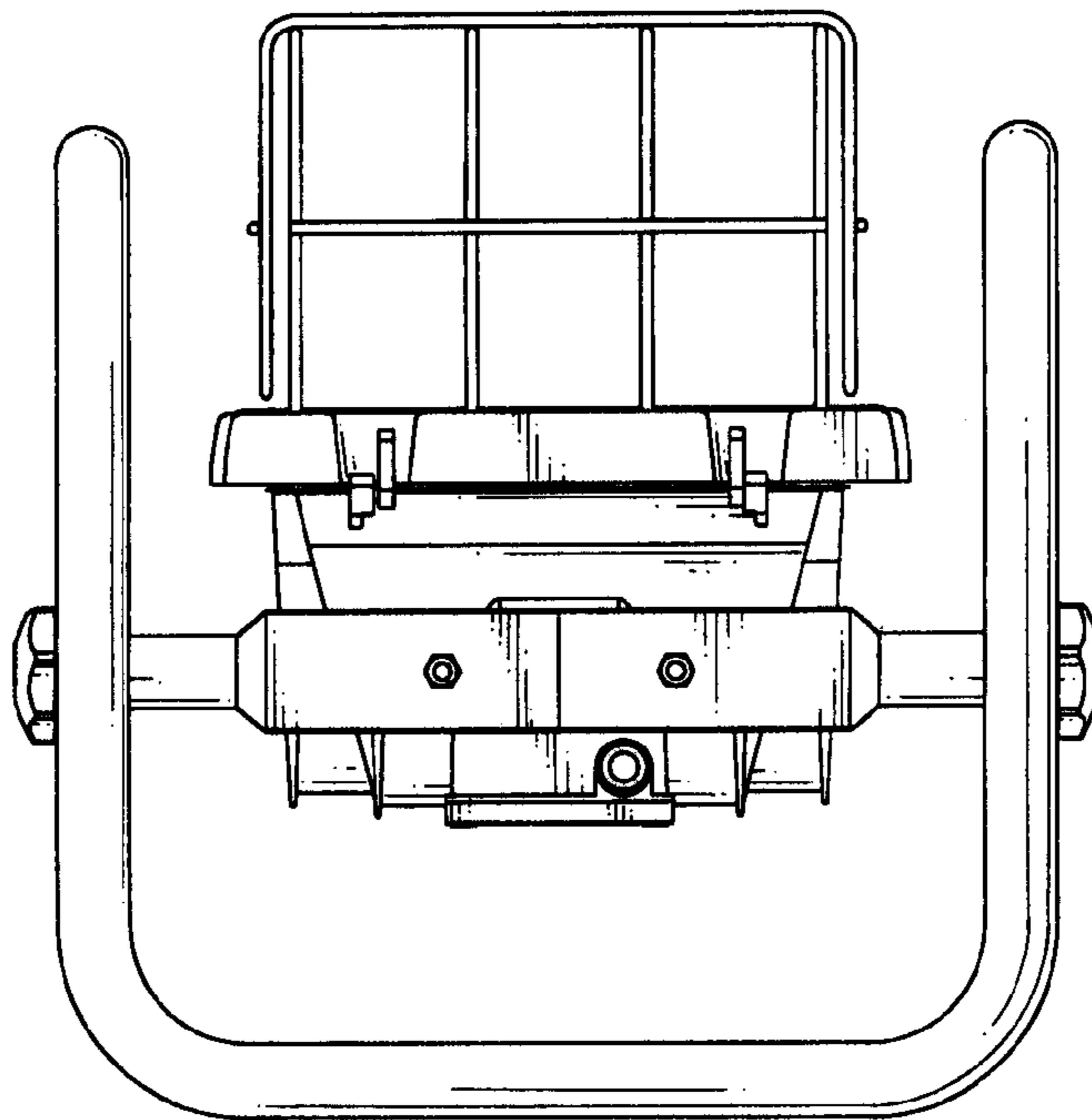


FIG. 7