



US00D486258S

(12) **United States Design Patent**
Cannon et al.

(10) **Patent No.:** **US D486,258 S**

(45) **Date of Patent:** **** Feb. 3, 2004**

(54) **TOOL BOX LIGHTING KIT**

6,120,162 A 9/2000 Guerrieri
6,203,167 B1 3/2001 Liu et al.
D476,105 S * 6/2003 Alsobrook D26/51

(76) Inventors: **Charles Cannon**, 3139 State Rd.,
Ridgeville, SC (US) 29472; **Jane**
Logan, 112 Kershaw Rd., Summerville,
SC (US) 29483

* cited by examiner

(**) Term: **14 Years**

Primary Examiner—Marcus A. Jackson
(74) *Attorney, Agent, or Firm*—Donald R. Schoonover

(21) Appl. No.: **29/171,794**

(22) Filed: **Dec. 2, 2002**

(51) **LOC (7) Cl.** **26-05**

(52) **U.S. Cl.** **D26/51**

(58) **Field of Search** D26/24, 34, 37-51;
362/226, 276, 295, 394, 410, 802

(57) **CLAIM**

We claim the ornamental design for a tool box lighting kit,
as shown and described.

DESCRIPTION

FIG. 1 is a perspective view of a tool box lighting kit showing our new design, with the wire broken away to indicate indeterminate length;
FIG. 2 is a front elevational view thereof;
FIG. 3 is a rear elevational view thereof;
FIG. 4 is a left side elevational view thereof;
FIG. 5 is a right side elevational view thereof;
FIG. 6 is a top plan view thereof;
FIG. 7 is a bottom plan view thereof; and,
FIG. 8 is a perspective view showing the tool box lighting kit in use; the broken lines depict environmental structure and form no part of the claimed design.

(56) **References Cited**

U.S. PATENT DOCUMENTS

1,268,124 A	6/1918	Jennings	
4,150,746 A	4/1979	Buglione	
4,522,326 A	6/1985	Tuohy, III	
4,691,470 A	9/1987	Landell et al.	
D325,672 S	4/1992	Baker	
5,222,802 A	6/1993	Beck	
D417,923 S	* 12/1999	Chiu D26/51
D424,019 S	* 5/2000	Yu D26/51

1 Claim, 3 Drawing Sheets

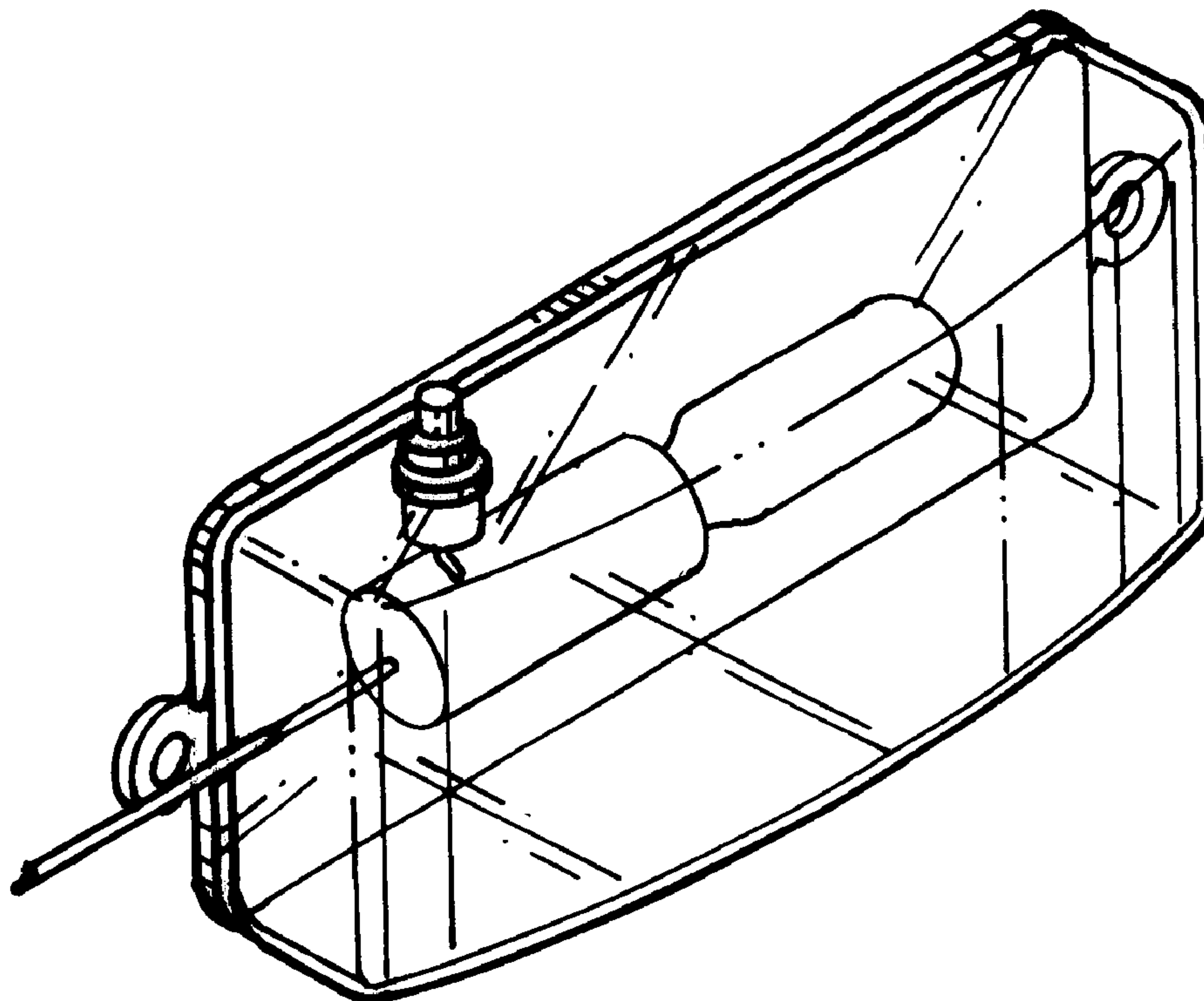


FIG. 1.

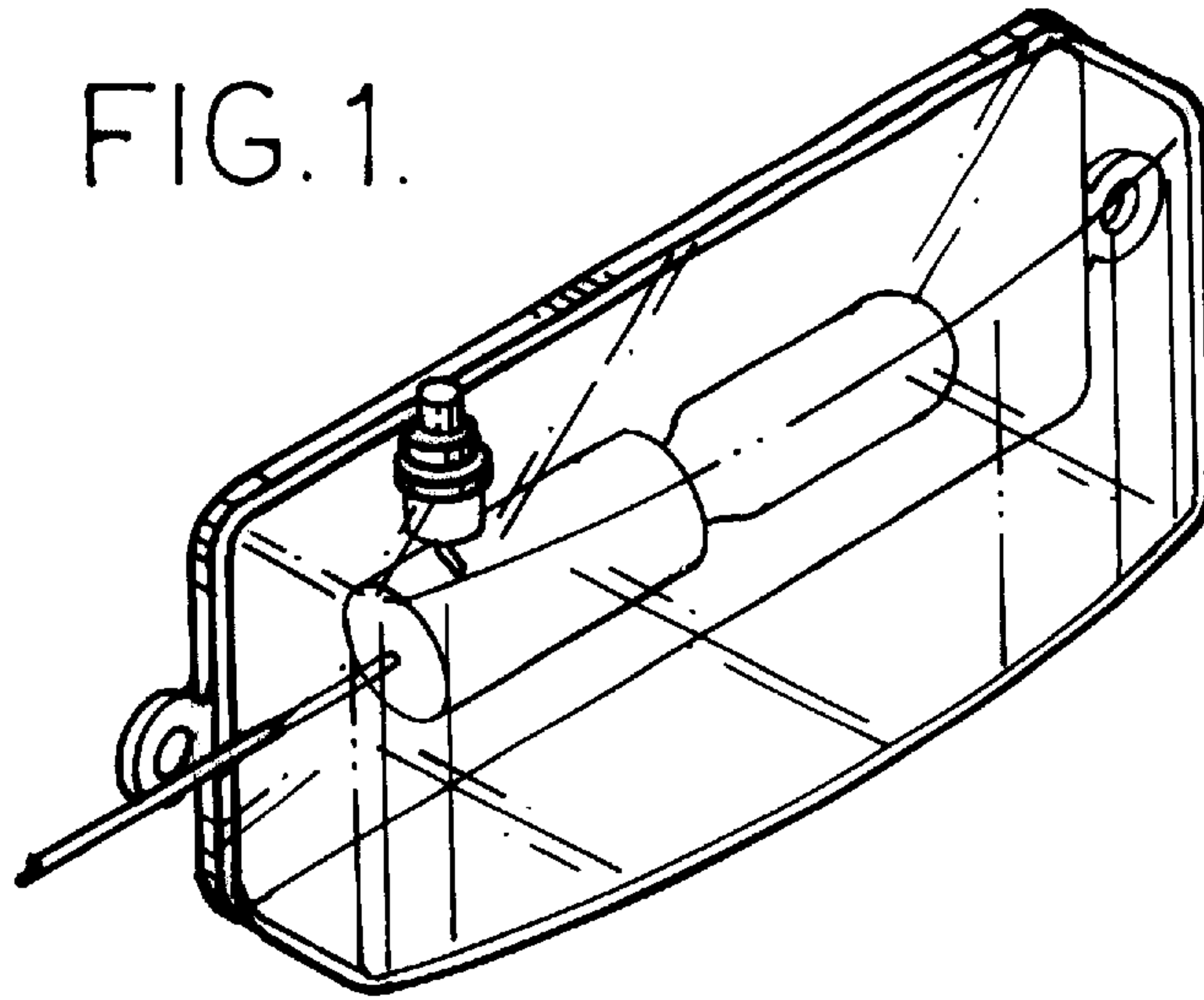
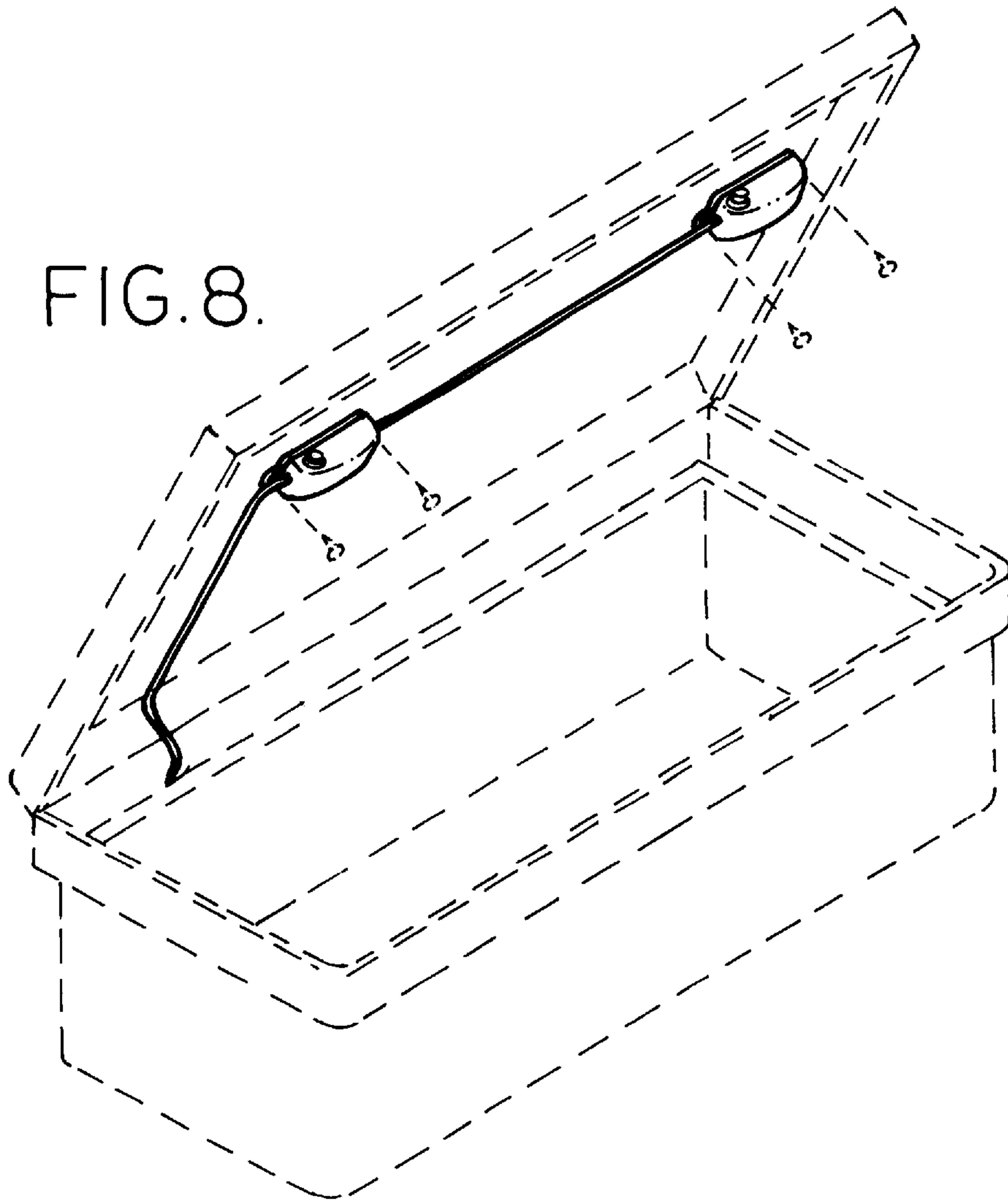


FIG. 8.



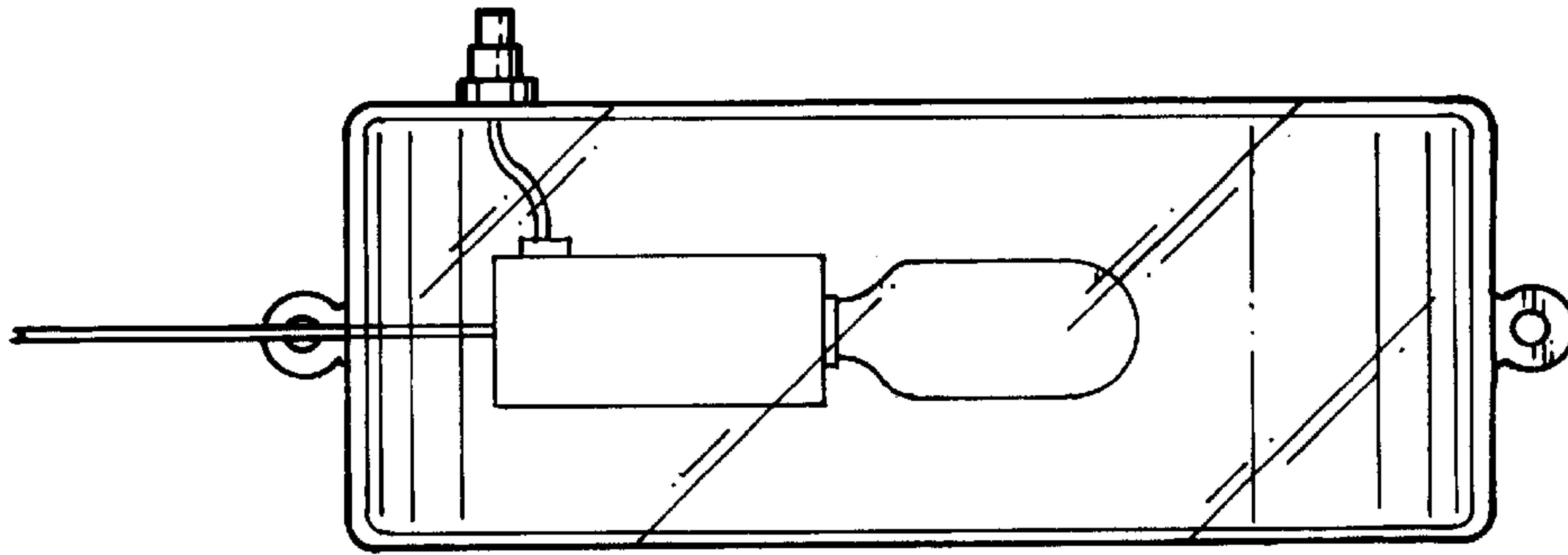


FIG. 2.

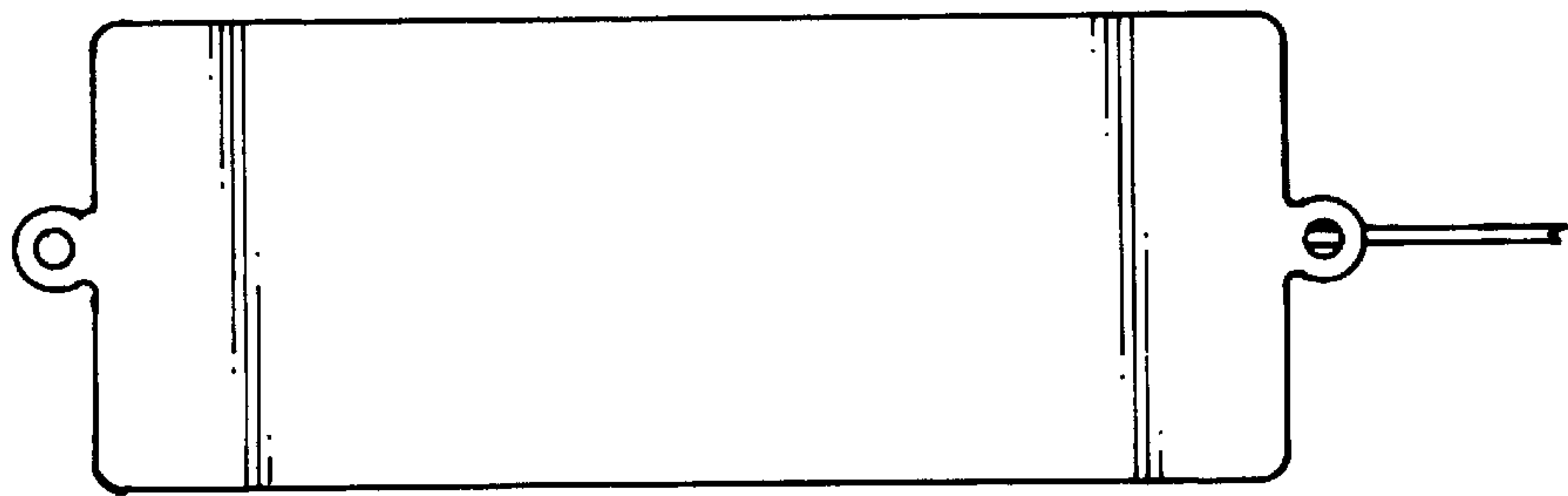


FIG. 3.

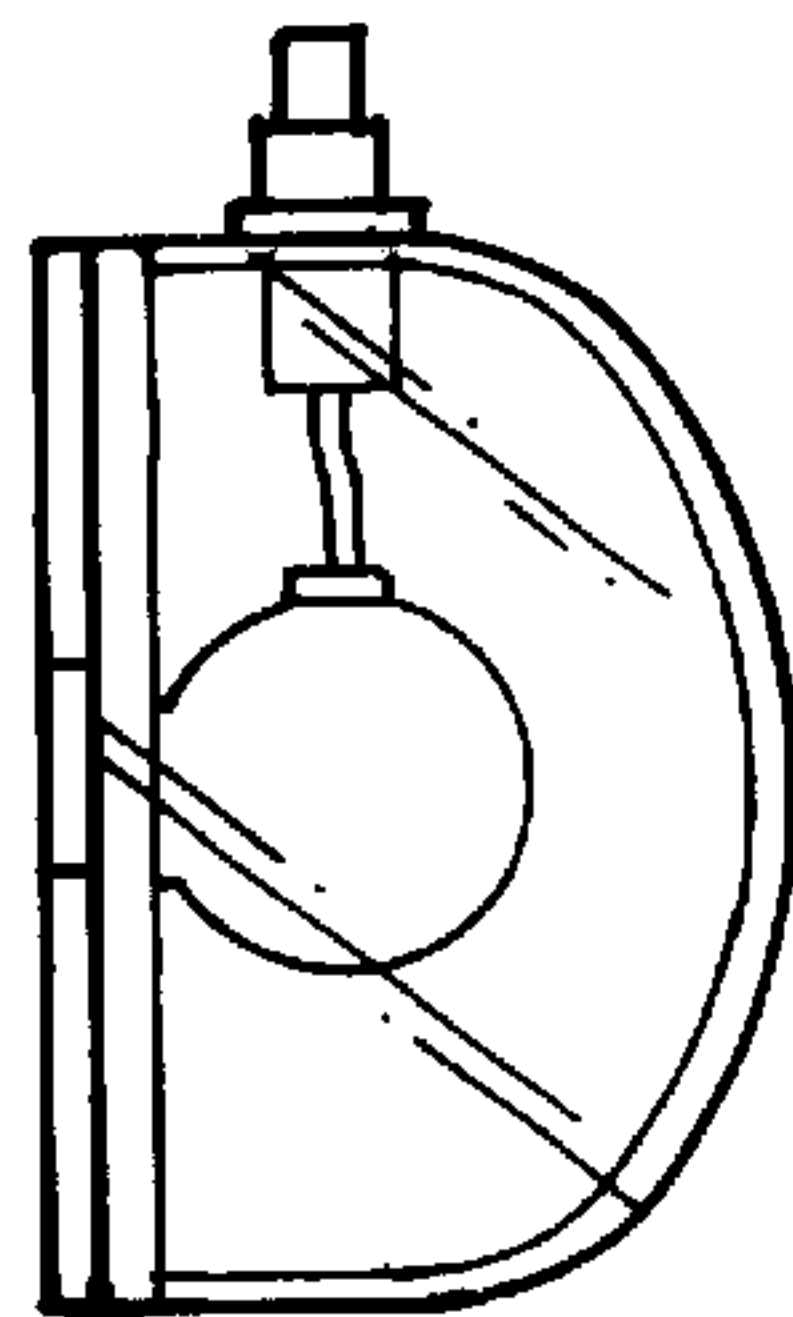


FIG. 5.

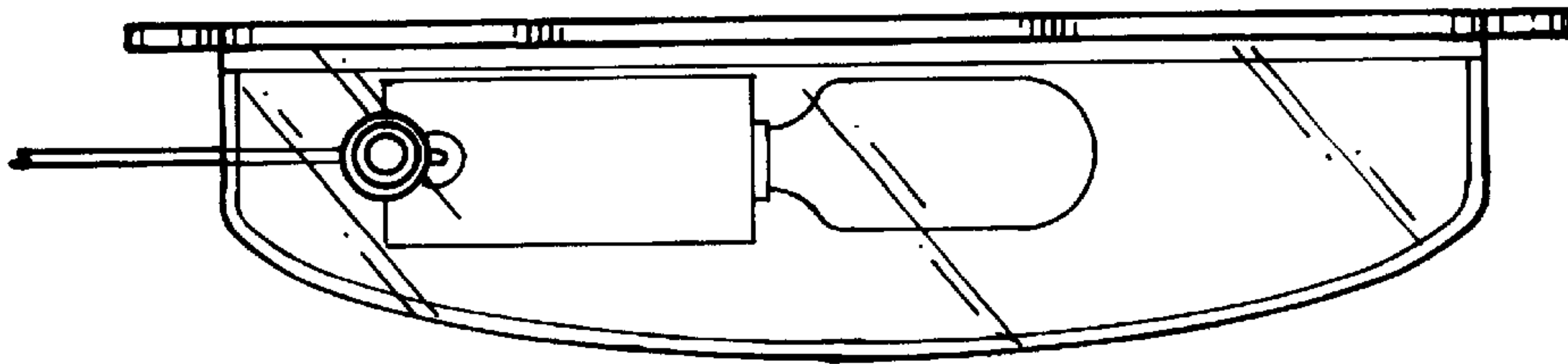


FIG. 6.

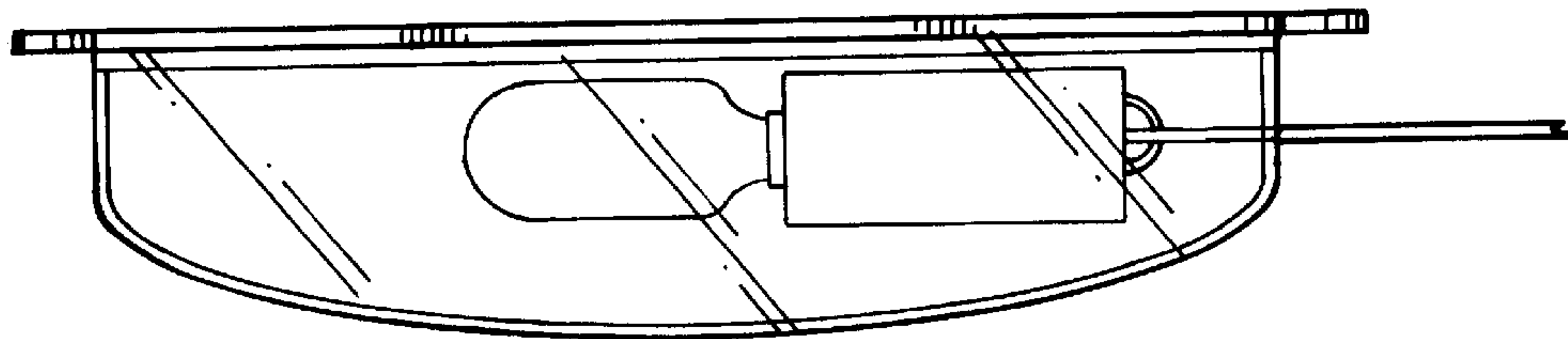


FIG. 7.

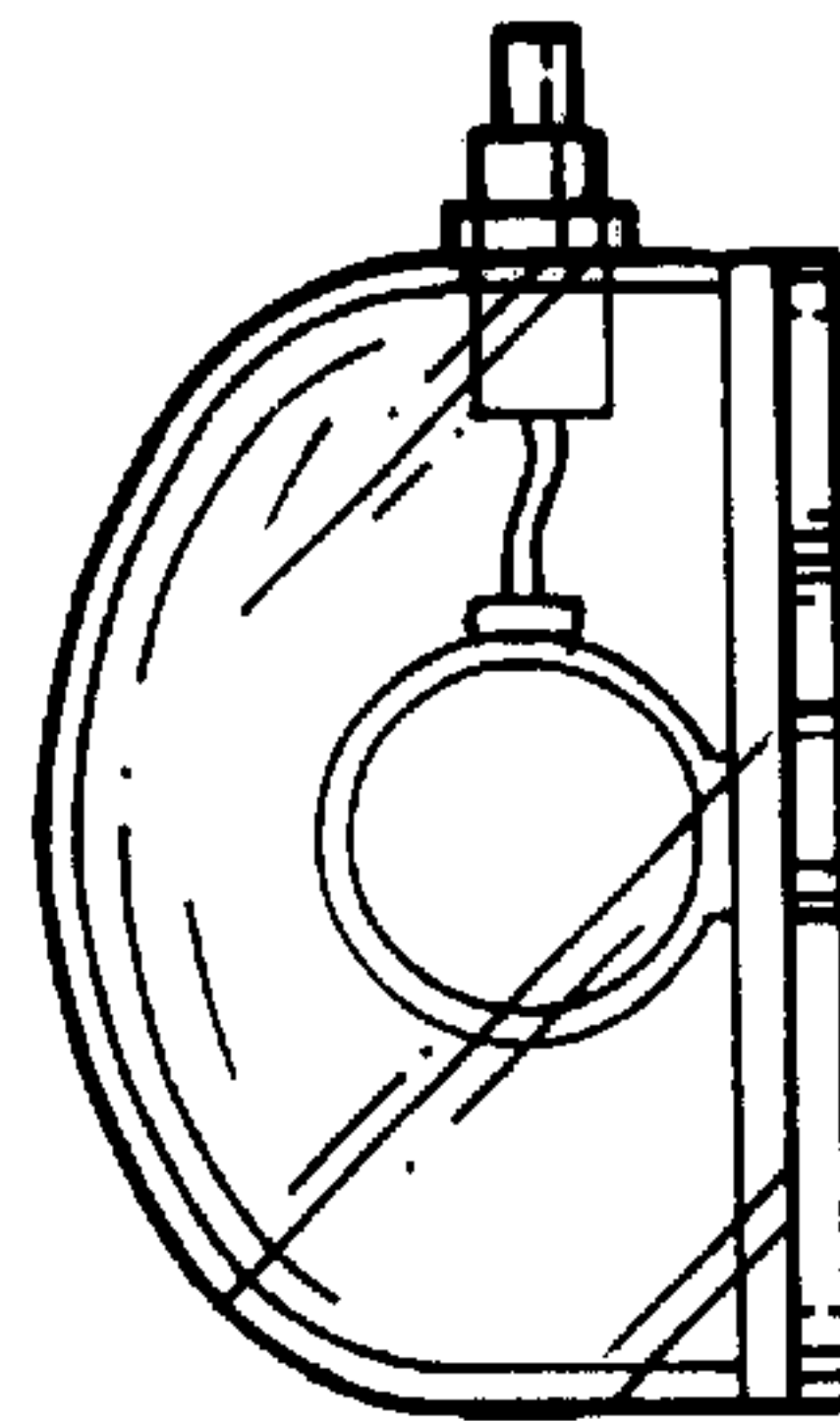


FIG. 4.