



US00D486257S

(12) **United States Design Patent**
Kingston et al.

(10) **Patent No.:** **US D486,257 S**

(45) **Date of Patent:** **** Feb. 3, 2004**

(54) **LIGHTING DEVICE**

(75) Inventors: **Ronald J. Kingston**, Syracuse, NY (US); **Scott W. Osiecki**, Skaneateles, NY (US)

(73) Assignee: **Eveready Battery Company, Inc.**, St. Louis, MO (US)

(**) Term: **14 Years**

(21) Appl. No.: **29/178,398**

(22) Filed: **Mar. 25, 2003**

(51) **LOC (7) Cl.** **26-02**

(52) **U.S. Cl.** **D26/42**

(58) **Field of Search** D26/37-50; 362/157, 362/158, 171, 172, 173, 183-208

(56) **References Cited**

U.S. PATENT DOCUMENTS

| | | | | | |
|------------|---|--------|----------------|-------|--------|
| D414,576 S | * | 9/1999 | Yuen | | D26/42 |
| D421,143 S | * | 2/2000 | Kovacik et al. | | D26/42 |
| D470,960 S | * | 2/2003 | Kring | | D26/42 |

* cited by examiner

Primary Examiner—Marcus A. Jackson

(74) *Attorney, Agent, or Firm*—Stewart A. Fraser

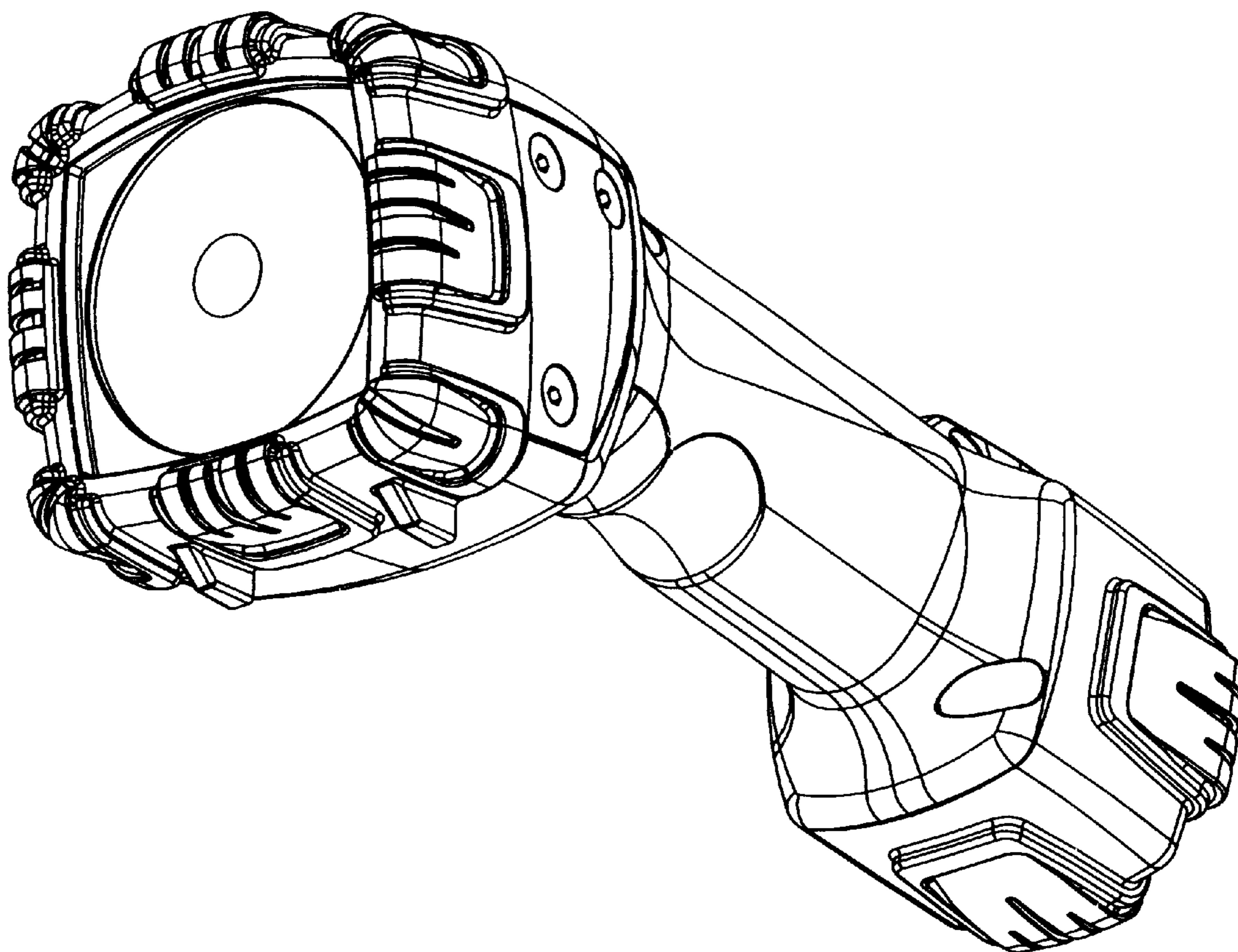
(57) **CLAIM**

We claim the ornamental design for a lighting device, as shown and described.

DESCRIPTION

FIG. 1 is a view showing a front and bottom, and a first side of the lighting device of the present invention;
 FIG. 2 is a view of the top of the lighting device of the present invention;
 FIG. 3 is a view of the bottom of the lighting device of the present invention;
 FIG. 4 is a view of the first side of the lighting device of the present device;
 FIG. 5 is a view of a second side of the lighting device of the present invention;
 FIG. 6 is a view of the front end of the lighting device of the present invention; and,
 FIG. 7 is a view of the back end of the lighting device of the present invention.

1 Claim, 7 Drawing Sheets



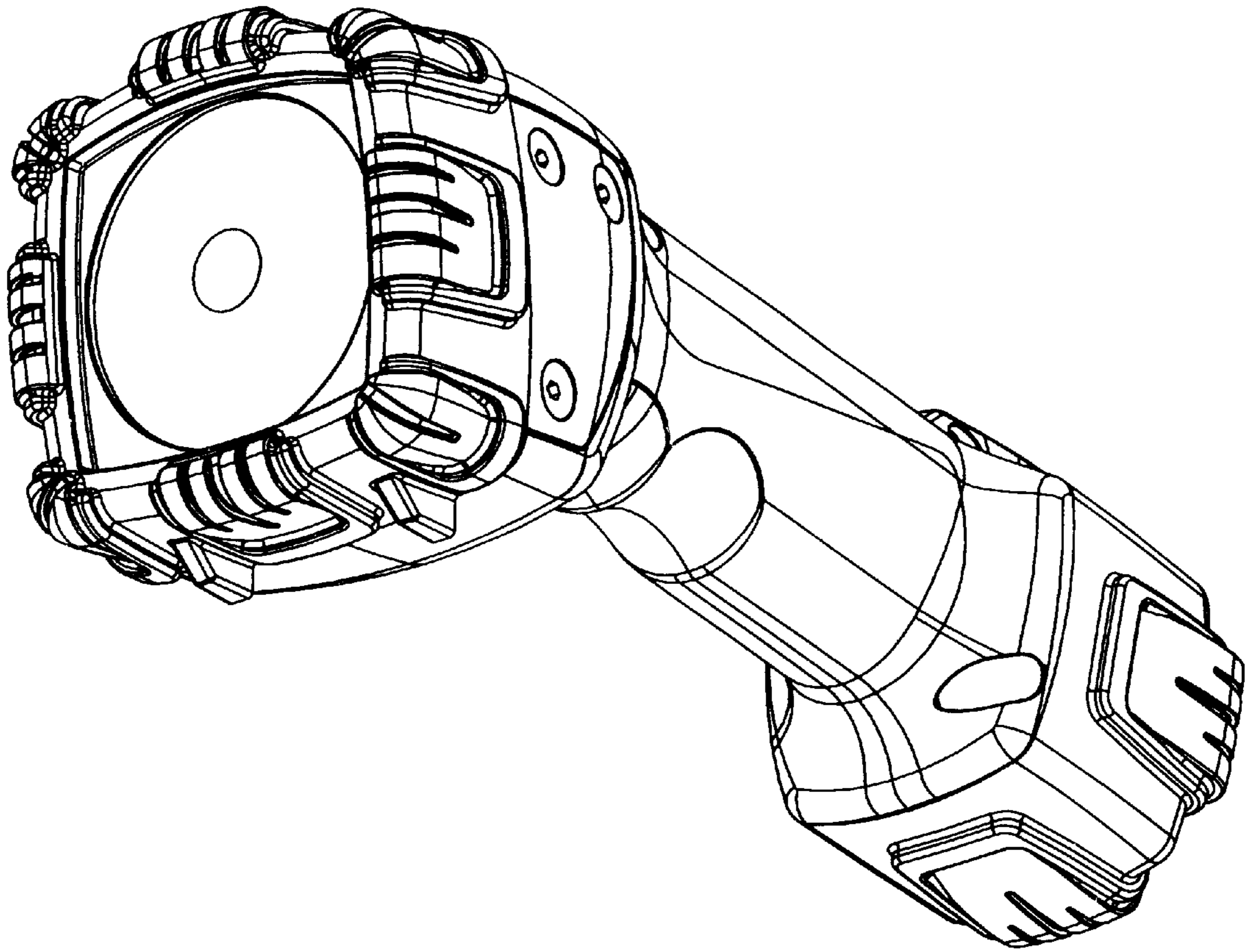


FIG. 1

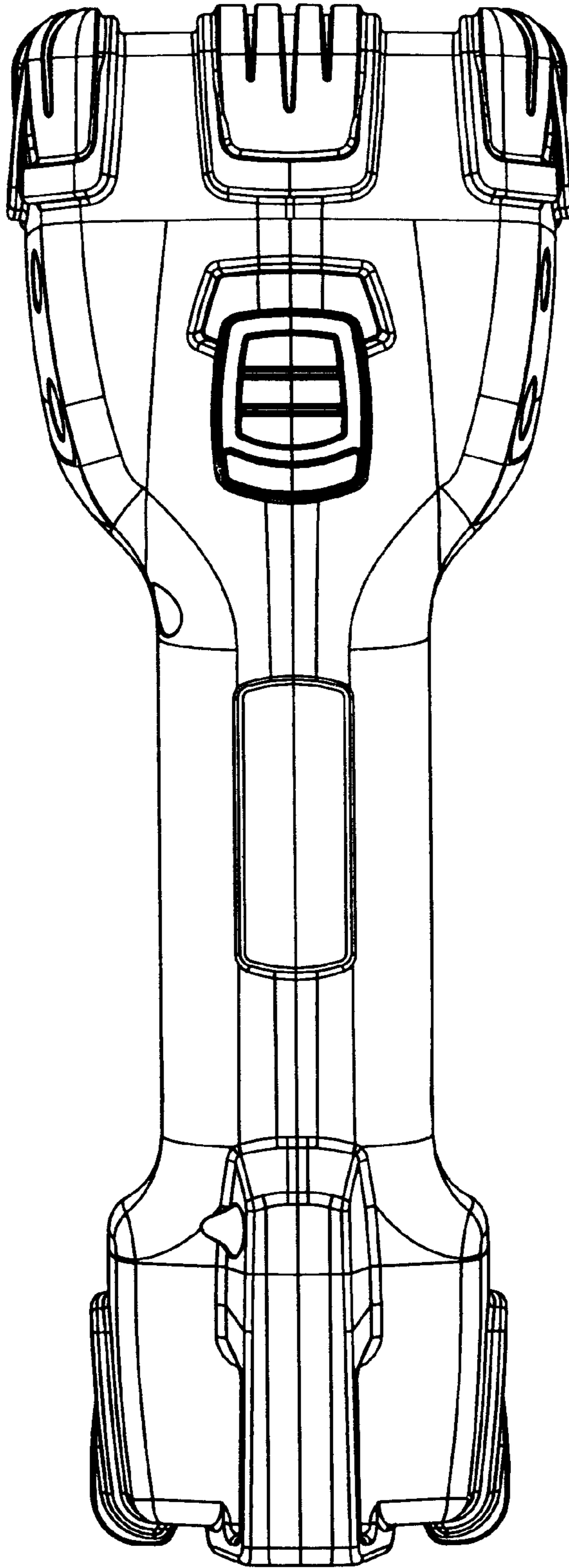


FIG. 2

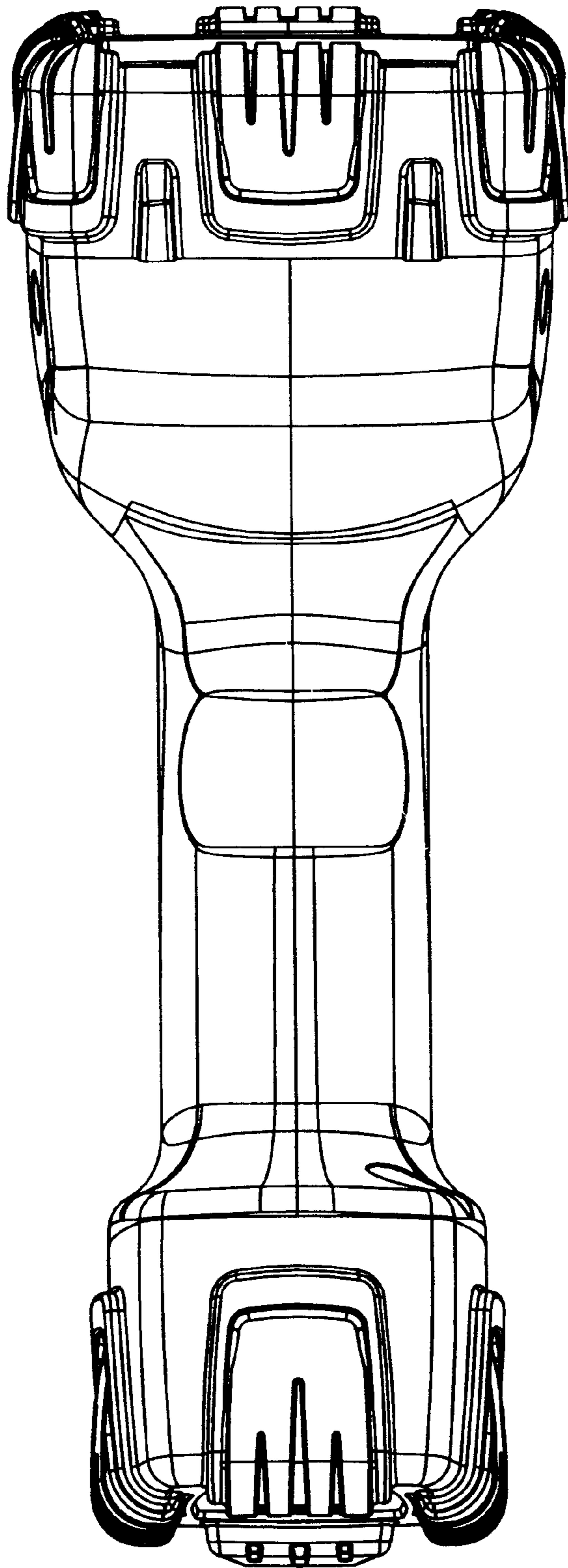


FIG. 3

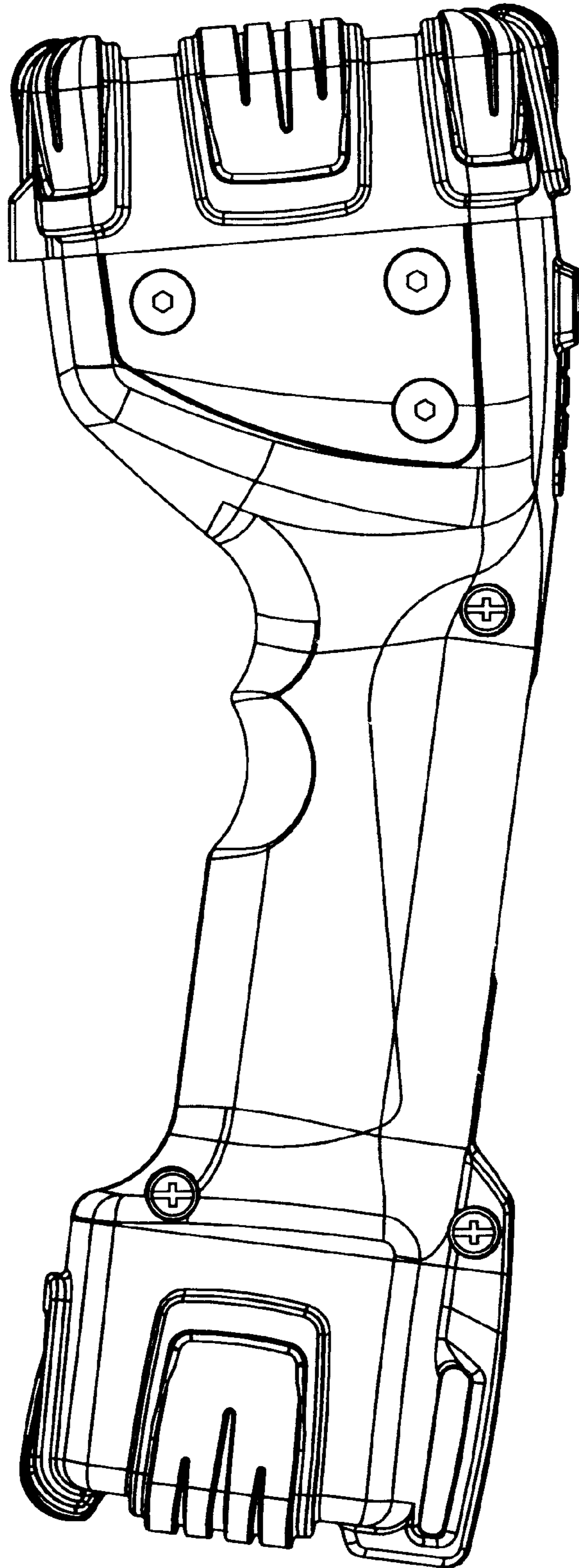


FIG. 4

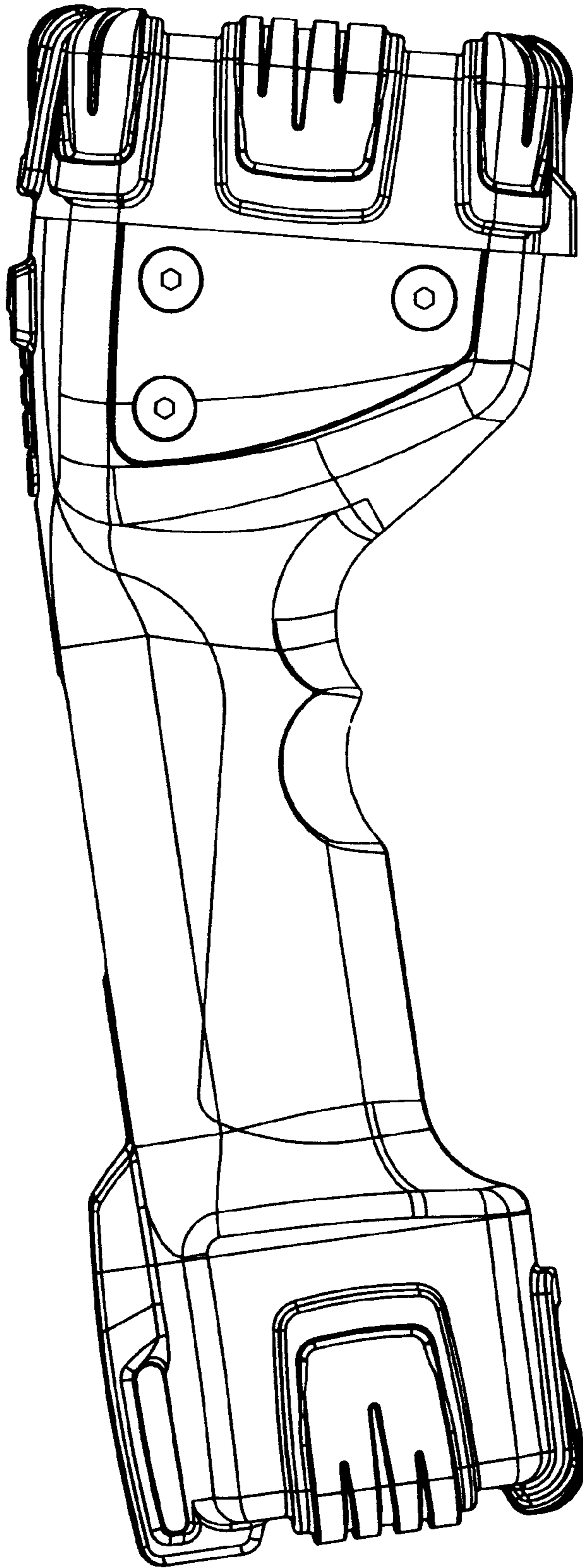


FIG. 5

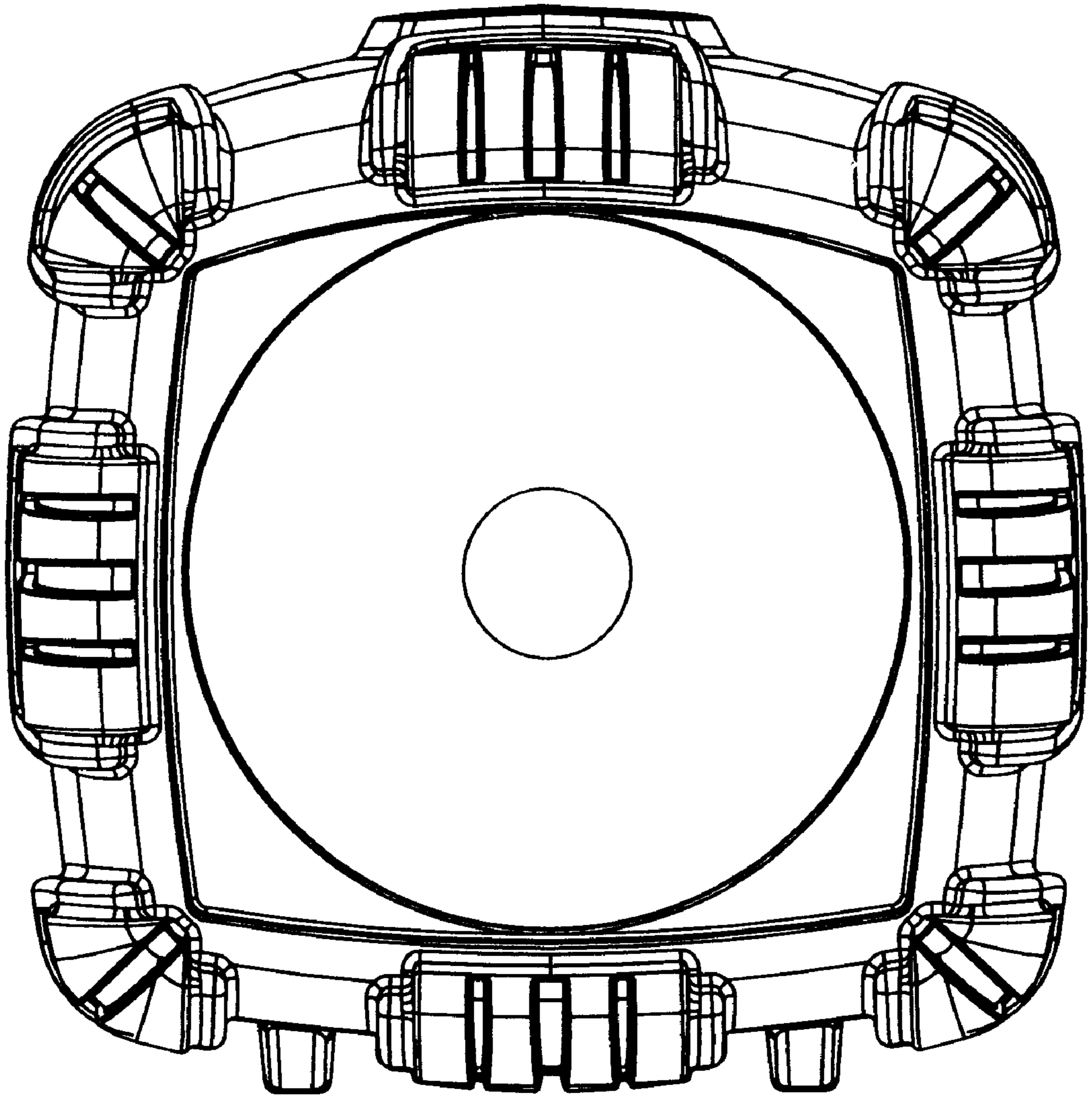


FIG. 6

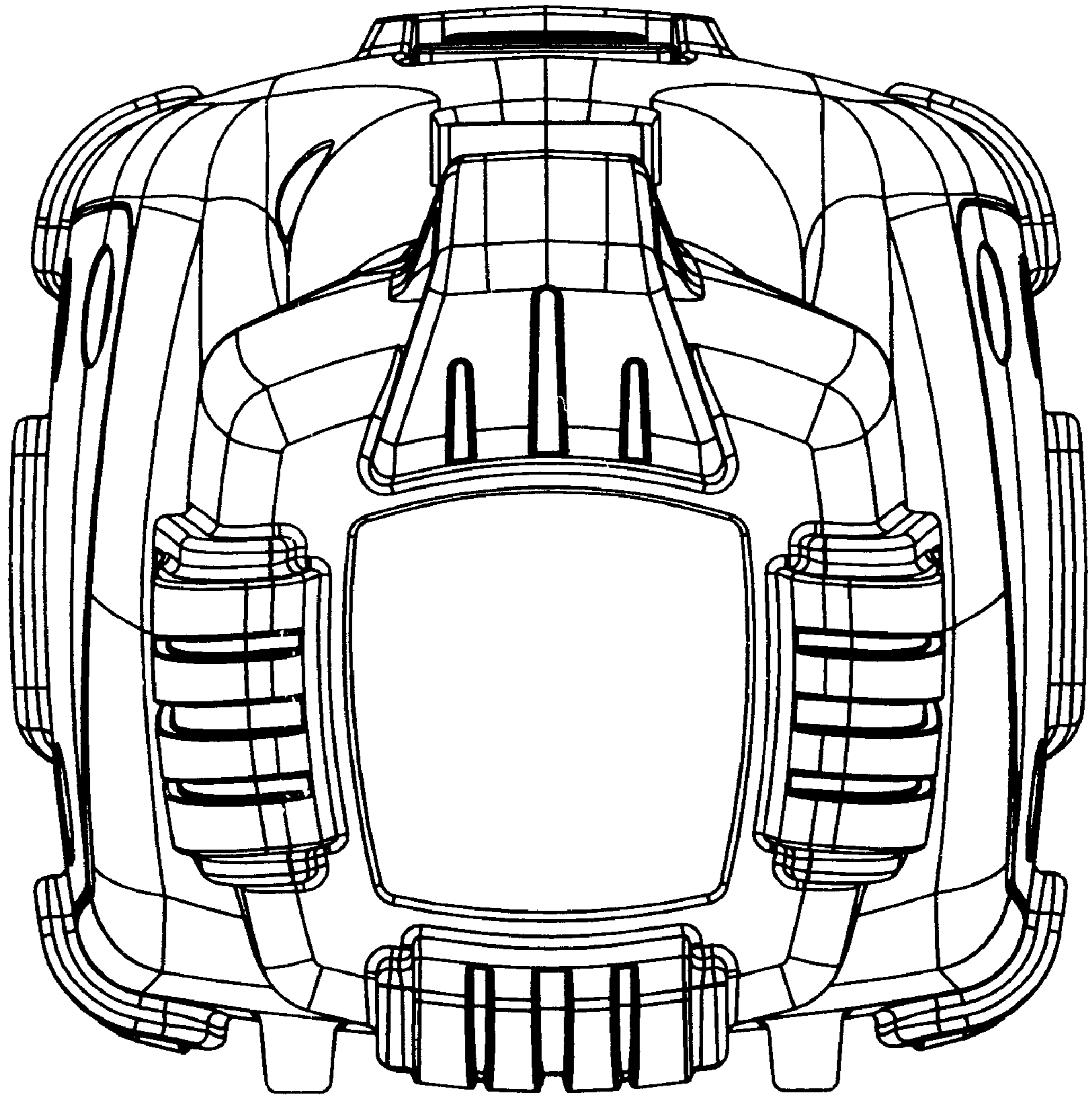


FIG. 7