



US00D486254S

(12) **United States Design Patent**
Kato et al.

(10) **Patent No.:** **US D486,254 S**

(45) **Date of Patent:** **** Feb. 3, 2004**

(54) **FRONT COMBINATION LAMP FOR AN AUTOMOBILE**

(75) Inventors: **Shinno Kato**, Aichi-ken (JP); **Shin Miyata**, Aichi-ken (JP)

(73) Assignee: **Toyota Jidosha Kabushiki Kaisha (JP)**

(**) Term: **14 Years**

(21) Appl. No.: **29/176,432**

(22) Filed: **Feb. 21, 2003**

(51) **LOC (7) Cl.** **26-06**

(52) **U.S. Cl.** **D26/28**

(58) **Field of Search** D26/28-36; 362/61, 362/80, 81, 82, 83, 83.4, 267, 269, 330-340

(56) **References Cited**

U.S. PATENT DOCUMENTS

- D399,983 S * 10/1998 Cadotte et al. D26/28
- D403,443 S * 12/1998 Sacco et al. D26/28
- D414,571 S * 9/1999 Schneider et al. D26/28

OTHER PUBLICATIONS

2001 Toyota Camry, Brochure of Camry, Sep. 2001.

2001 Toyota Windom, Brochure of Windom, Sep. 2001.

* cited by examiner

Primary Examiner—Marcus A. Jackson

(74) *Attorney, Agent, or Firm*—Saidman DesignLaw Group

(57) **CLAIM**

The ornamental design for a front combination lamp for an automobile, as shown and described.

DESCRIPTION

FIG. 1 is a perspective view of a front combination lamp for an automobile showing our new design;

FIG. 2 is a front view thereof;

FIG. 3 is a rear view thereof;

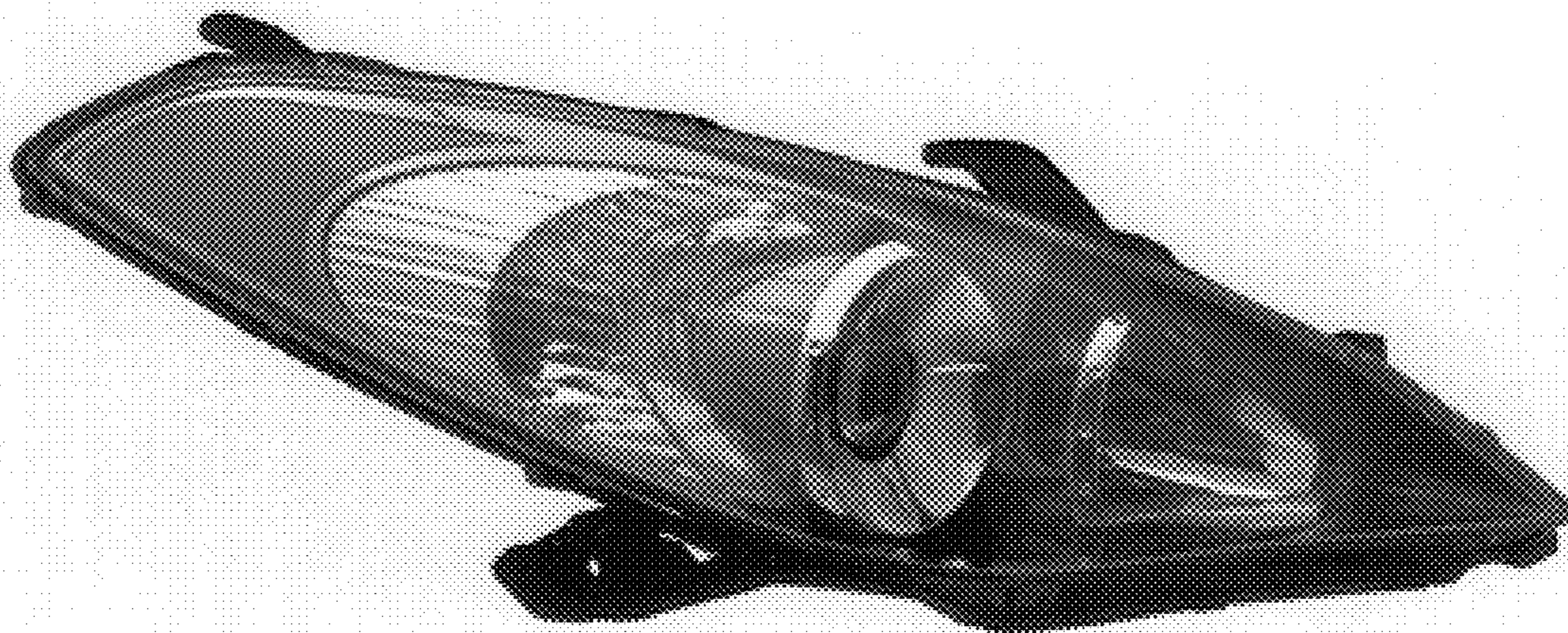
FIG. 4 is a left side view thereof;

FIG. 5 is a right side view thereof;

FIG. 6 is a top view thereof; and,

FIG. 7 is a bottom view thereof.

1 Claim, 3 Drawing Sheets



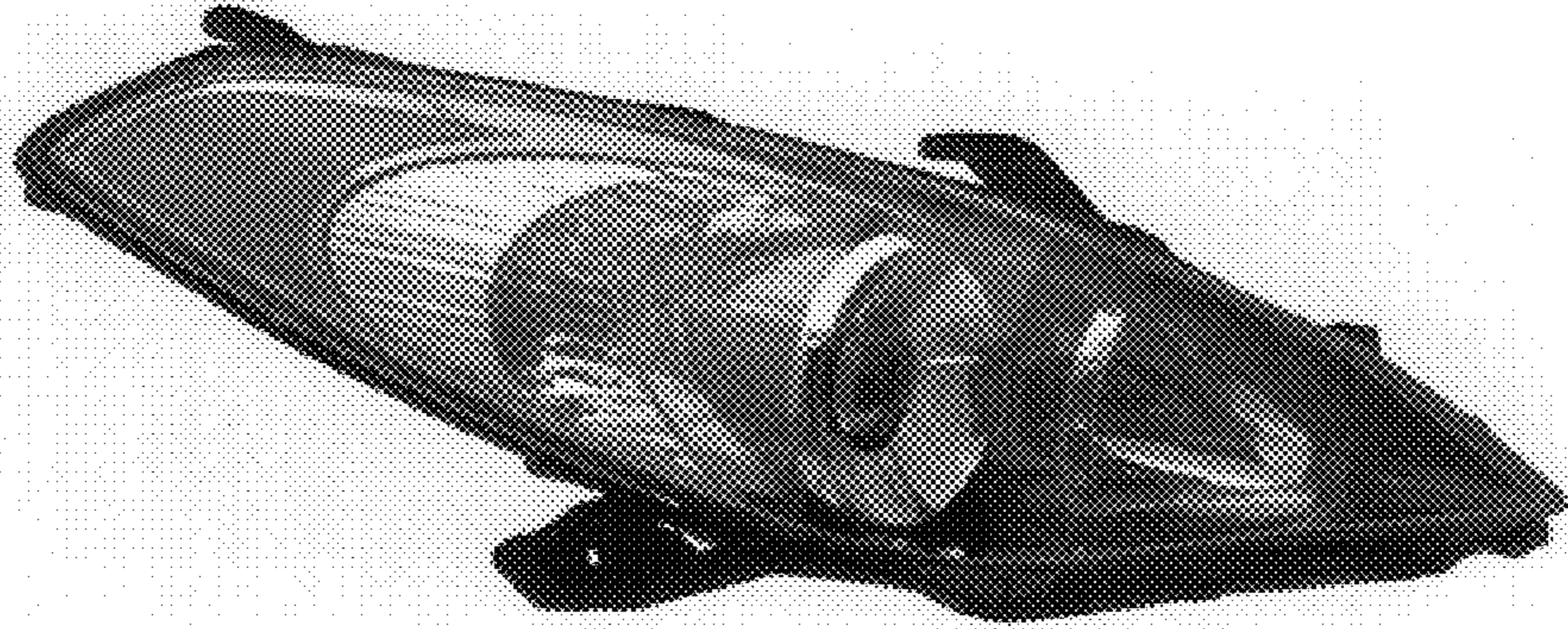


FIG. 1

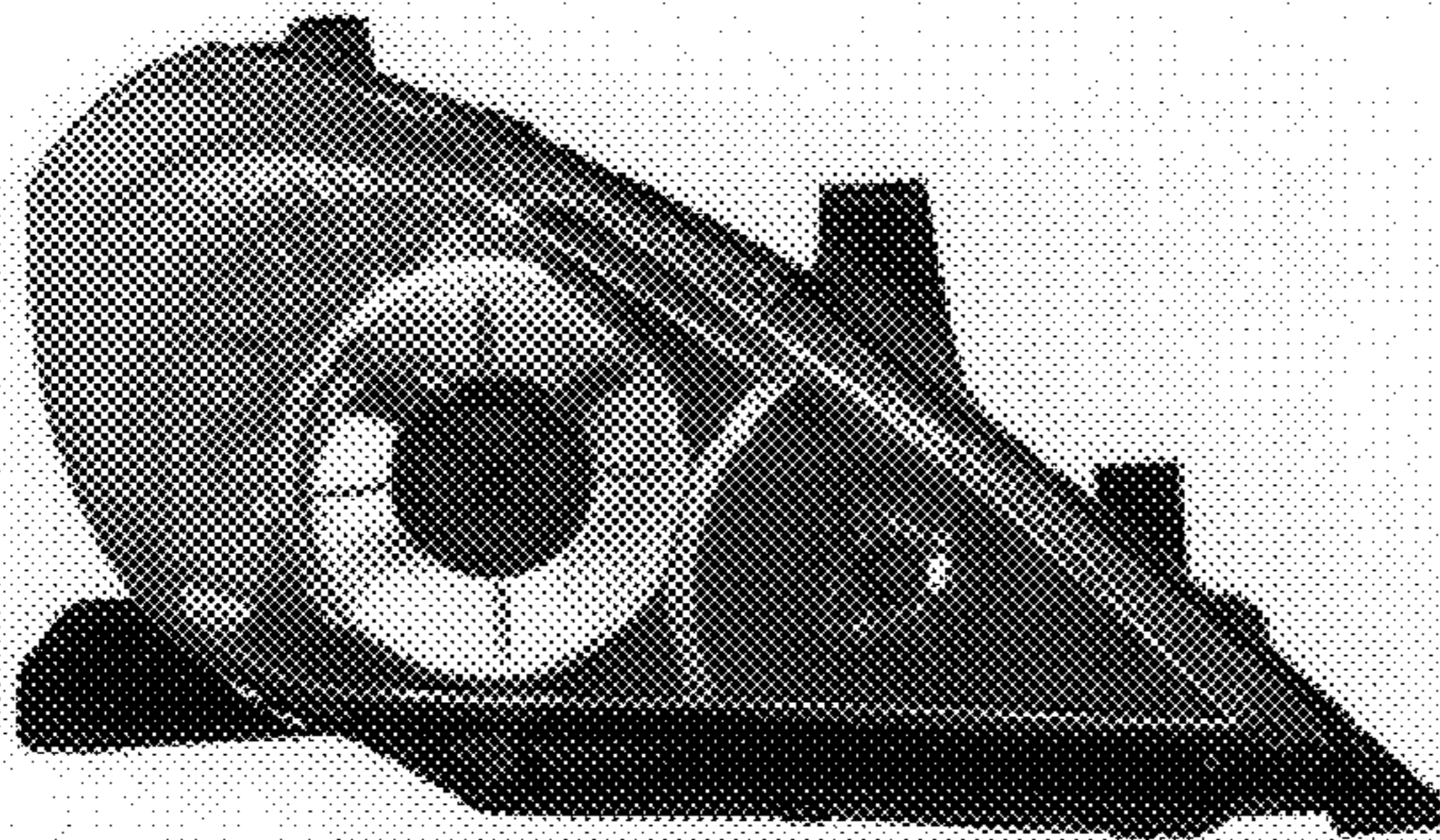


FIG. 2

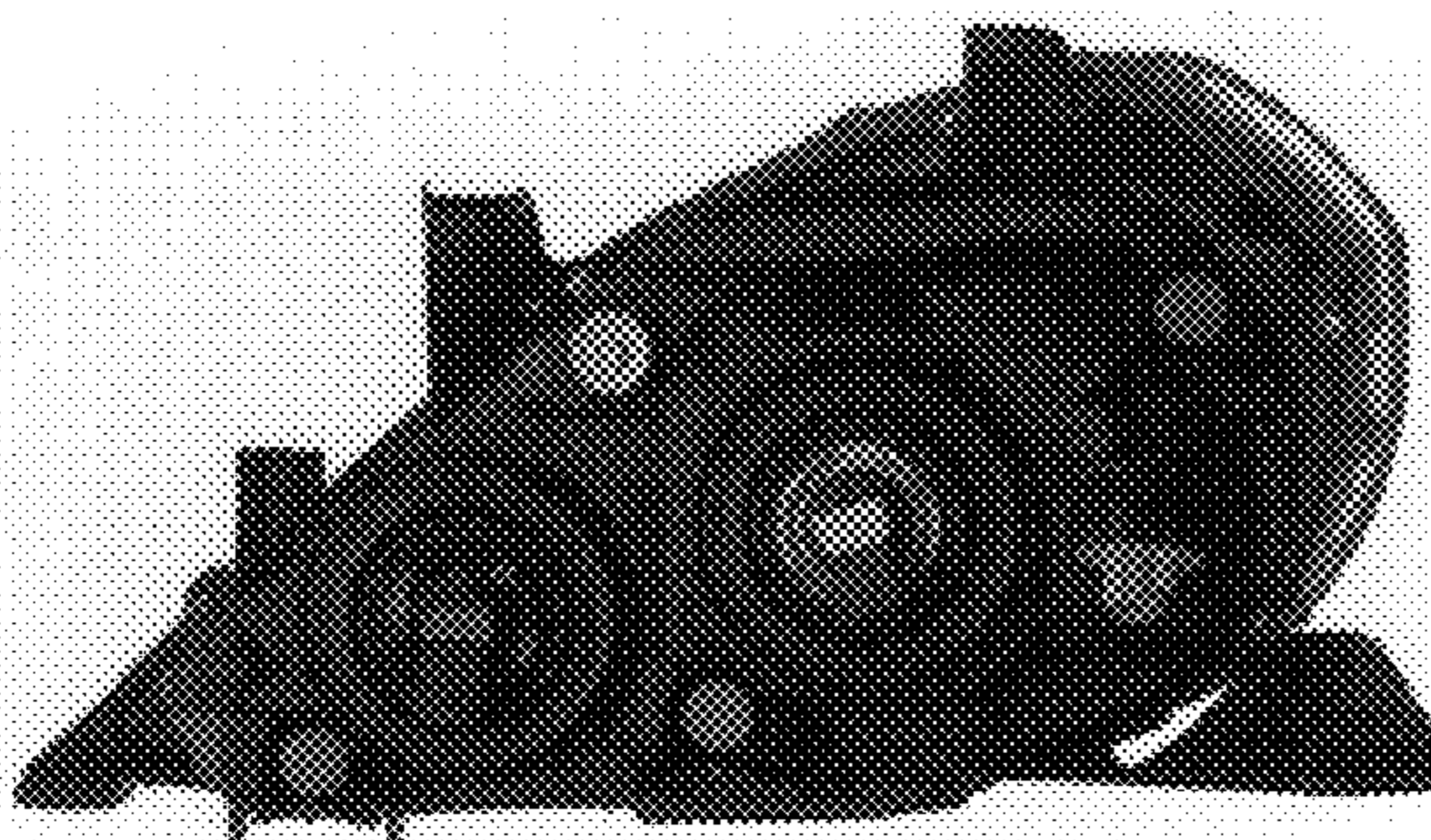


FIG. 3

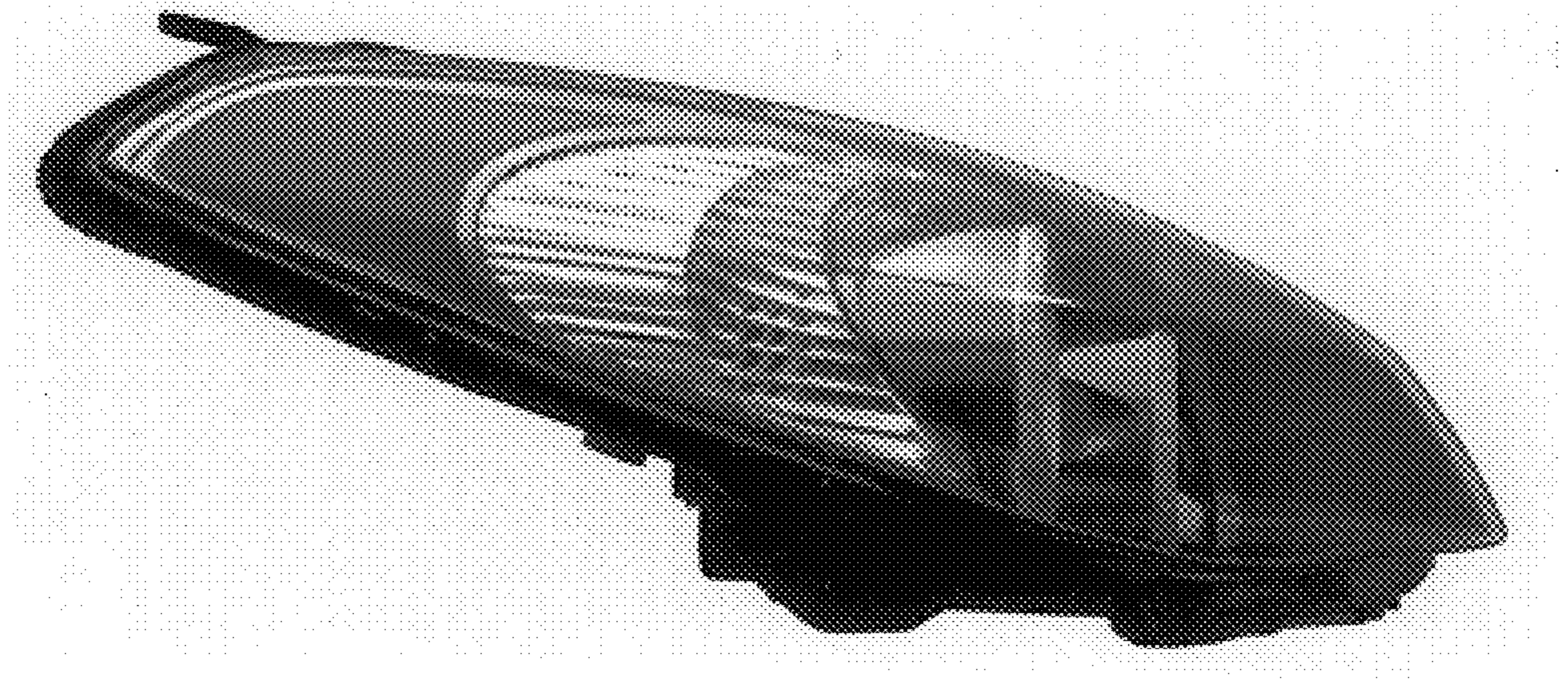


FIG. 4

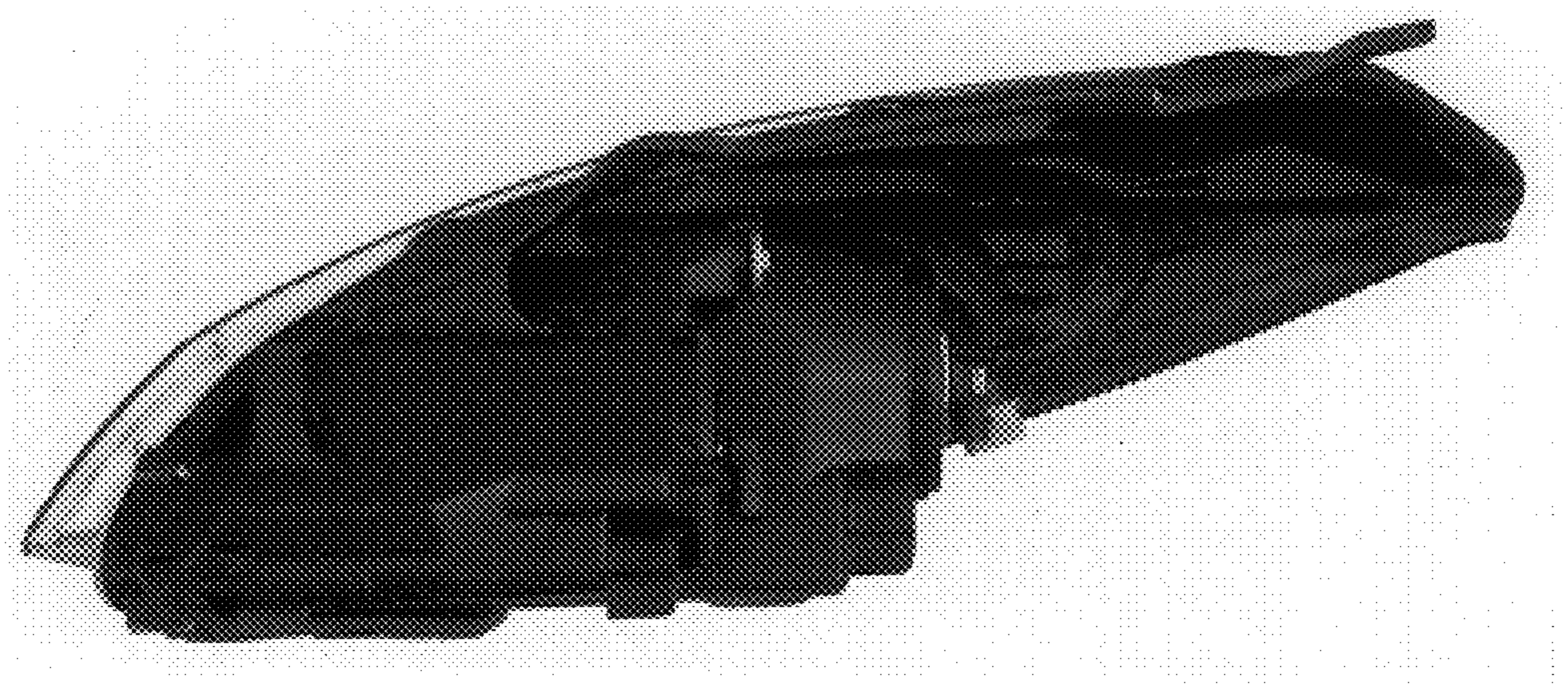


FIG. 5

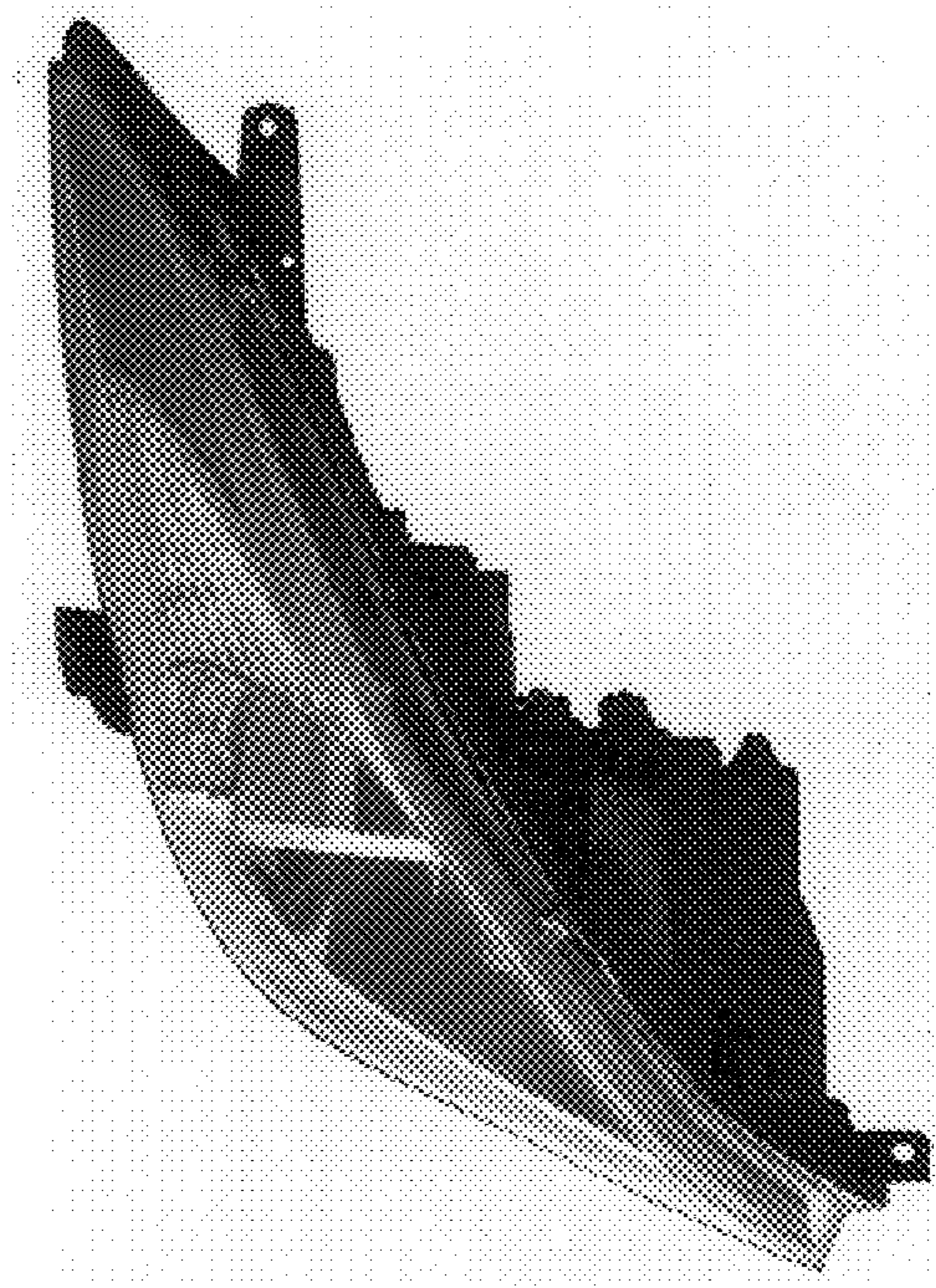


FIG. 6

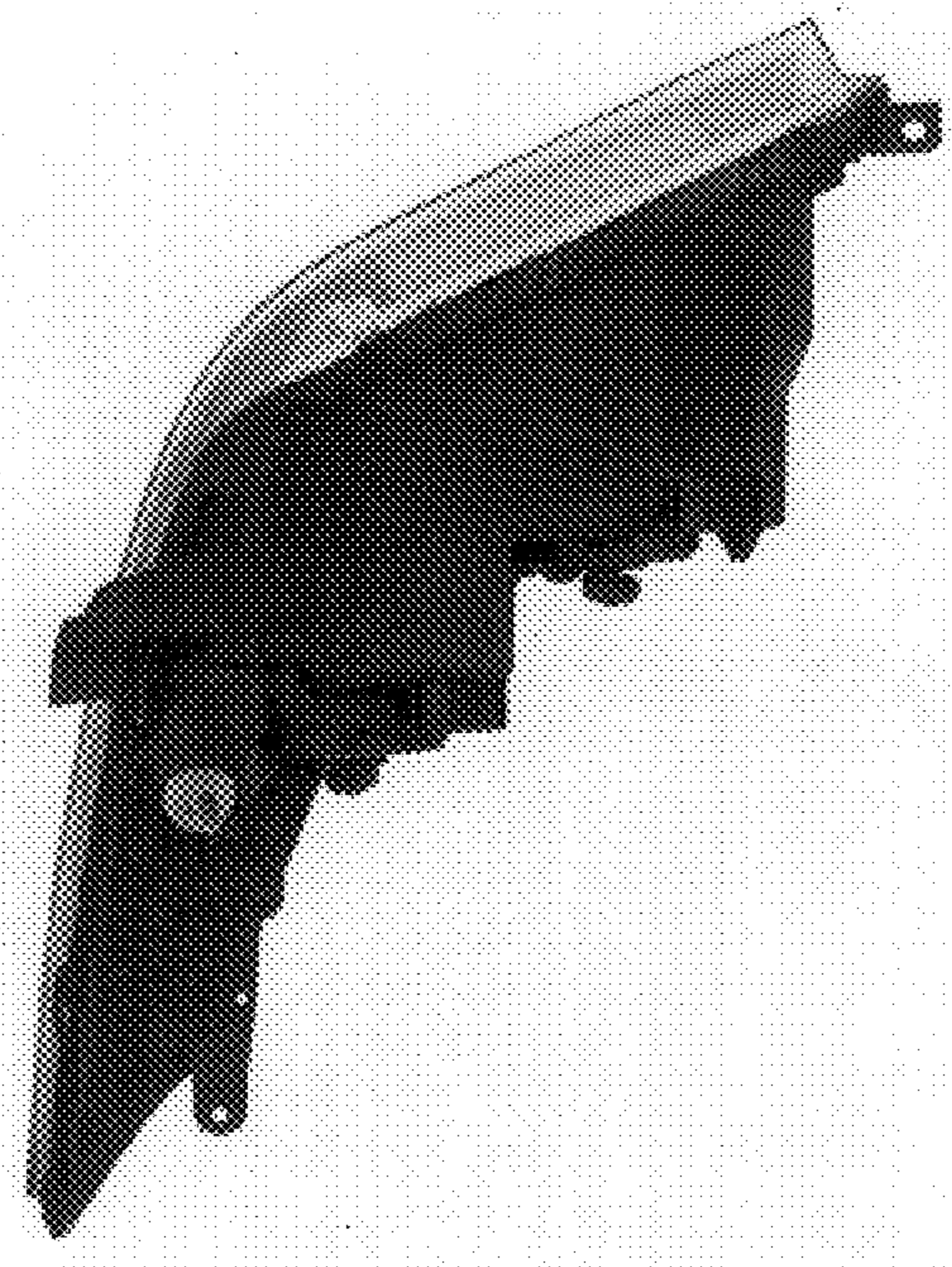


FIG. 7