



US00D486250S

(12) **United States Design Patent**
Mettler et al.

(10) **Patent No.:** **US D486,250 S**

(45) **Date of Patent:** **** Feb. 3, 2004**

(54) **BASE SUPPORT FOR POST OR OTHER UPRIGHT**

Primary Examiner—Doris Clark

(75) **Inventors:** **Charles M. Mettler**, Perry, OH (US);
Gregory H. Brown, Stow, OH (US)

(74) *Attorney, Agent, or Firm*—Renner, Otto, Boisselle & Sklar, LLP

(73) **Assignee:** **Plastic Safety Systems, Inc.**,
Cleveland, OH (US)

(57) **CLAIM**

(**) **Term:** **14 Years**

The ornamental design for a base support for post or other upright, as shown and described.

(21) **Appl. No.:** **29/174,976**

DESCRIPTION

(22) **Filed:** **Jan. 28, 2003**

(51) **LOC (7) Cl.** **25-01**

(52) **U.S. Cl.** **D25/133**

(58) **Field of Search** D25/133, 134;
52/146; 404/6, 9, 10

FIG. 1 is a perspective view of a base support for post or other upright showing our new design;
FIG. 2 is a front elevation view thereof;
FIG. 3 is a rear elevation view thereof;
FIG. 4 is a side elevation view thereof from the left side of FIG. 2;
FIG. 5 is a side elevation view thereof from the right side of FIG. 2;
FIG. 6 is a top plan view thereof; and,
FIG. 7 is a bottom plan view thereof.

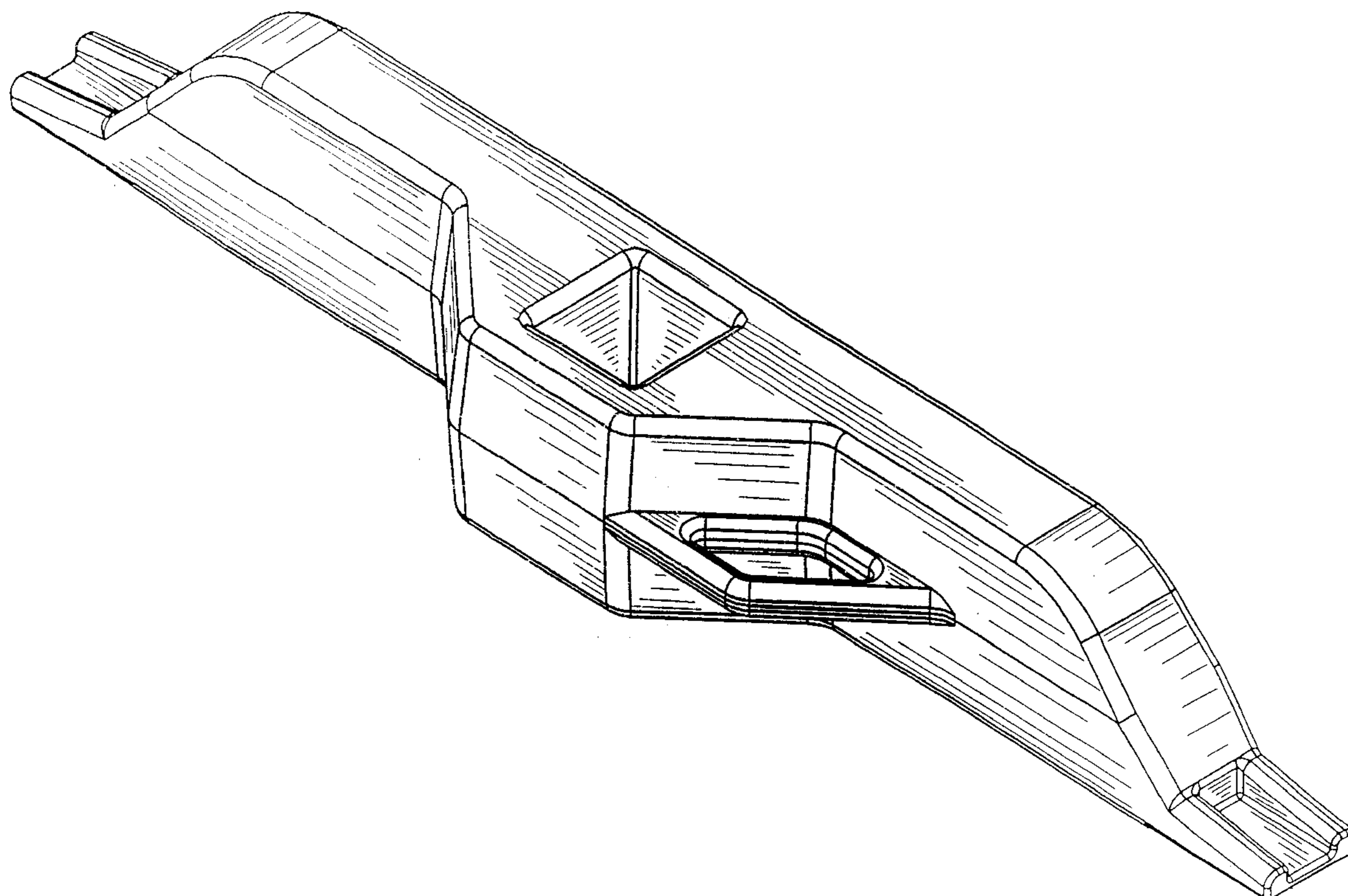
(56) **References Cited**

U.S. PATENT DOCUMENTS

6,386,135 B1 * 5/2002 Oshima 404/10
D458,389 S * 6/2002 Abbestam D25/133

* cited by examiner

1 Claim, 3 Drawing Sheets



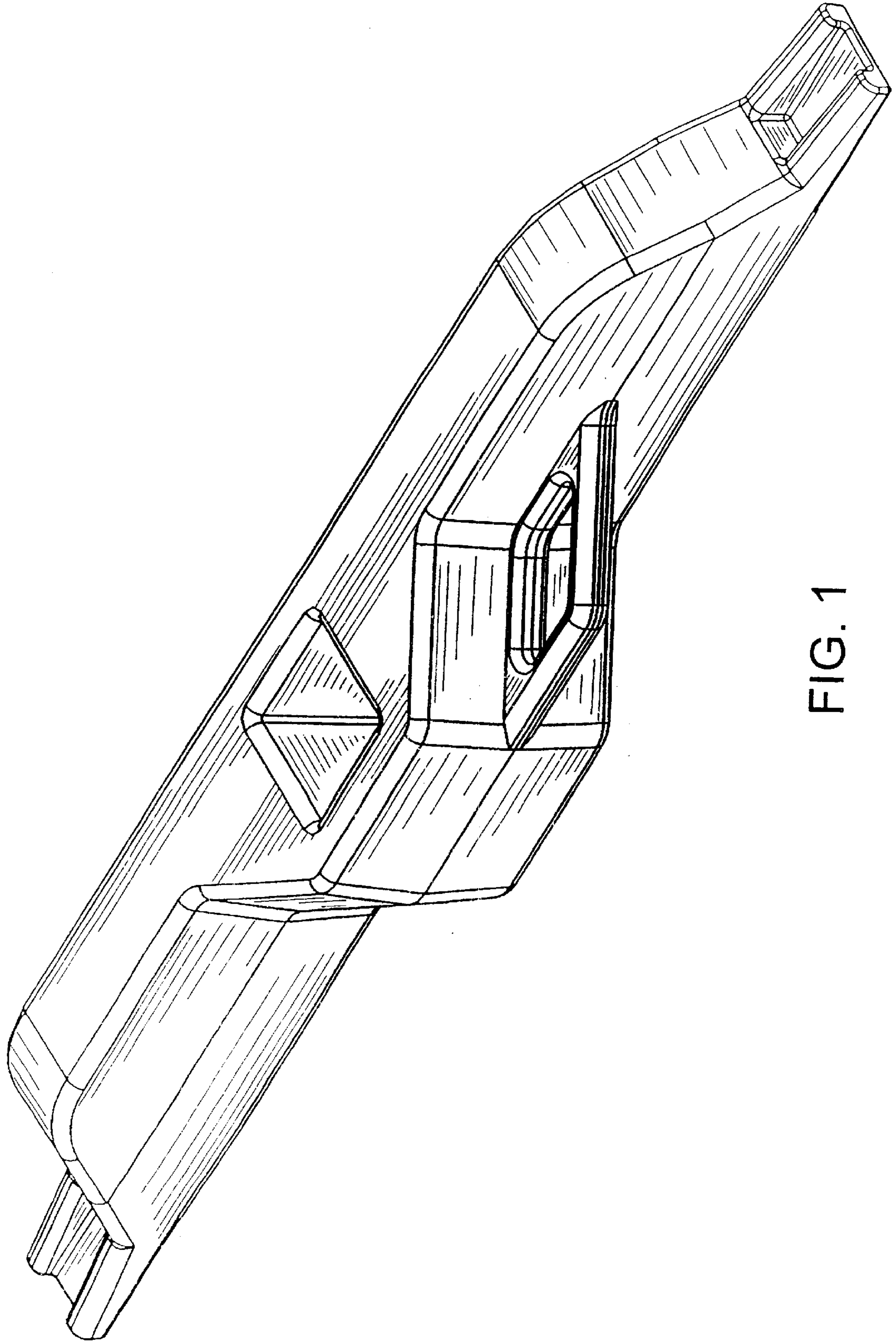


FIG. 1

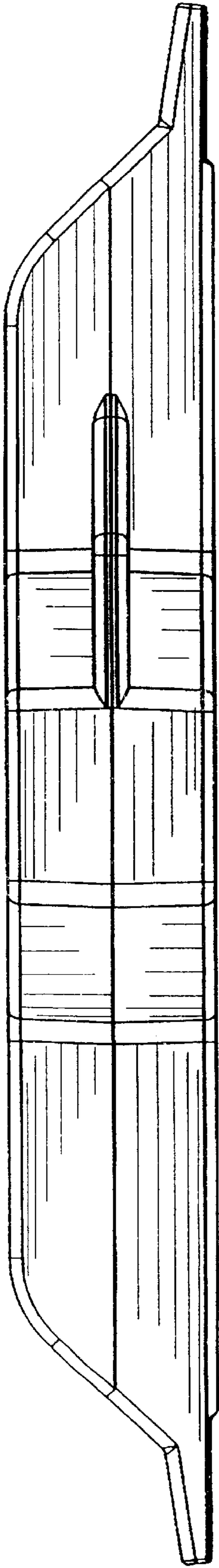


FIG. 2

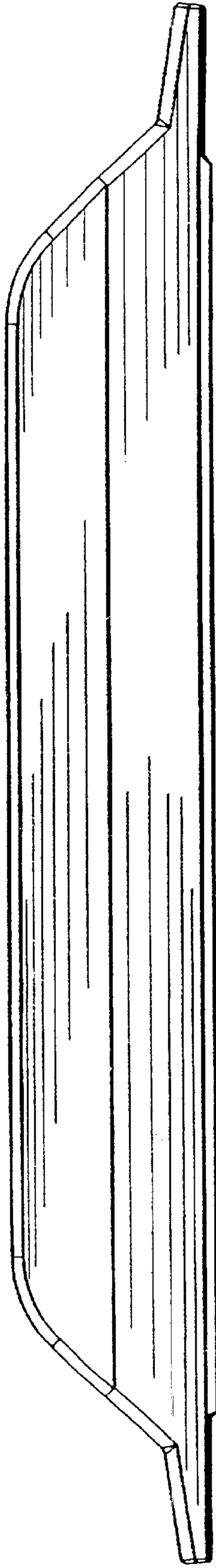


FIG. 3

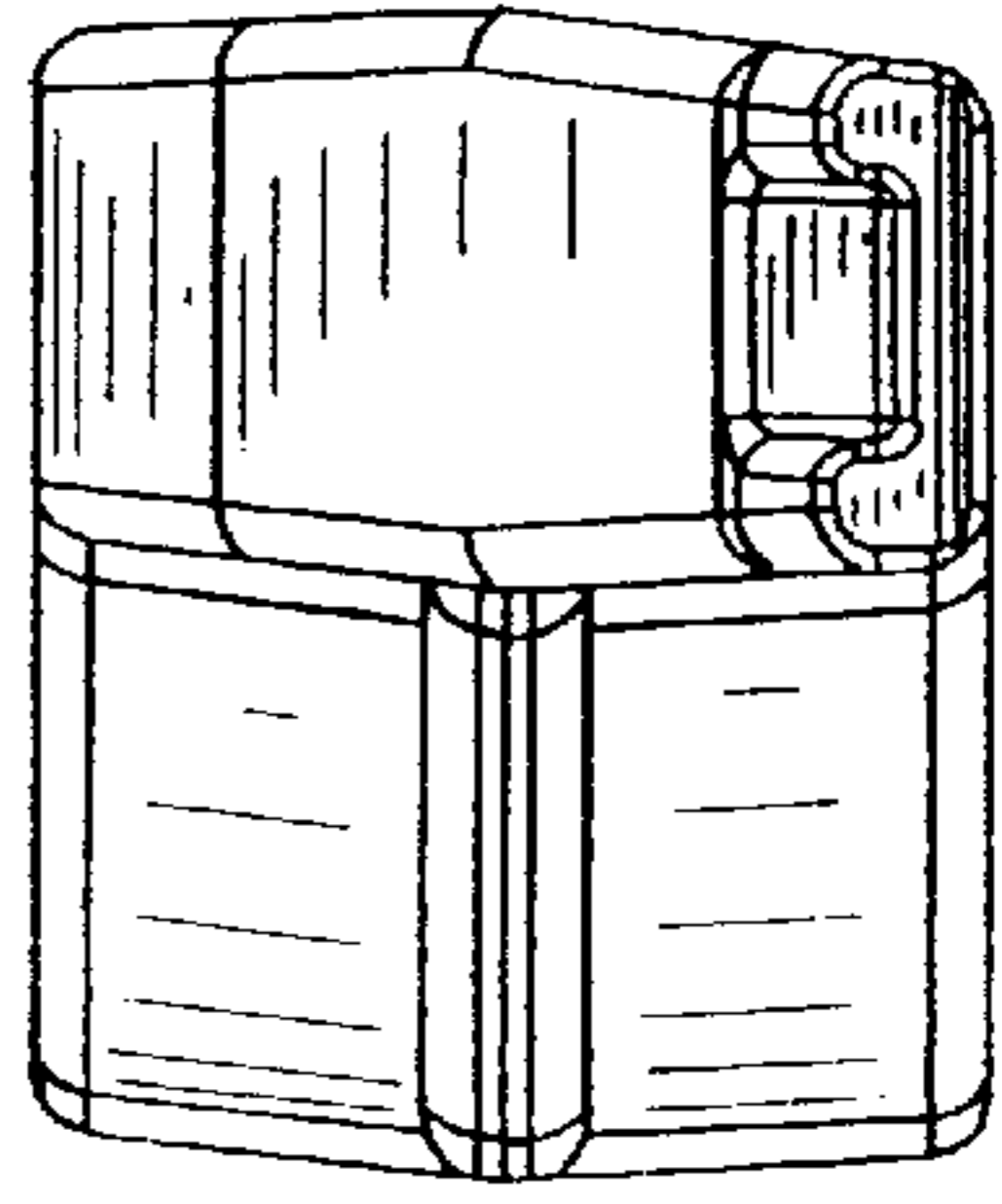


FIG. 4

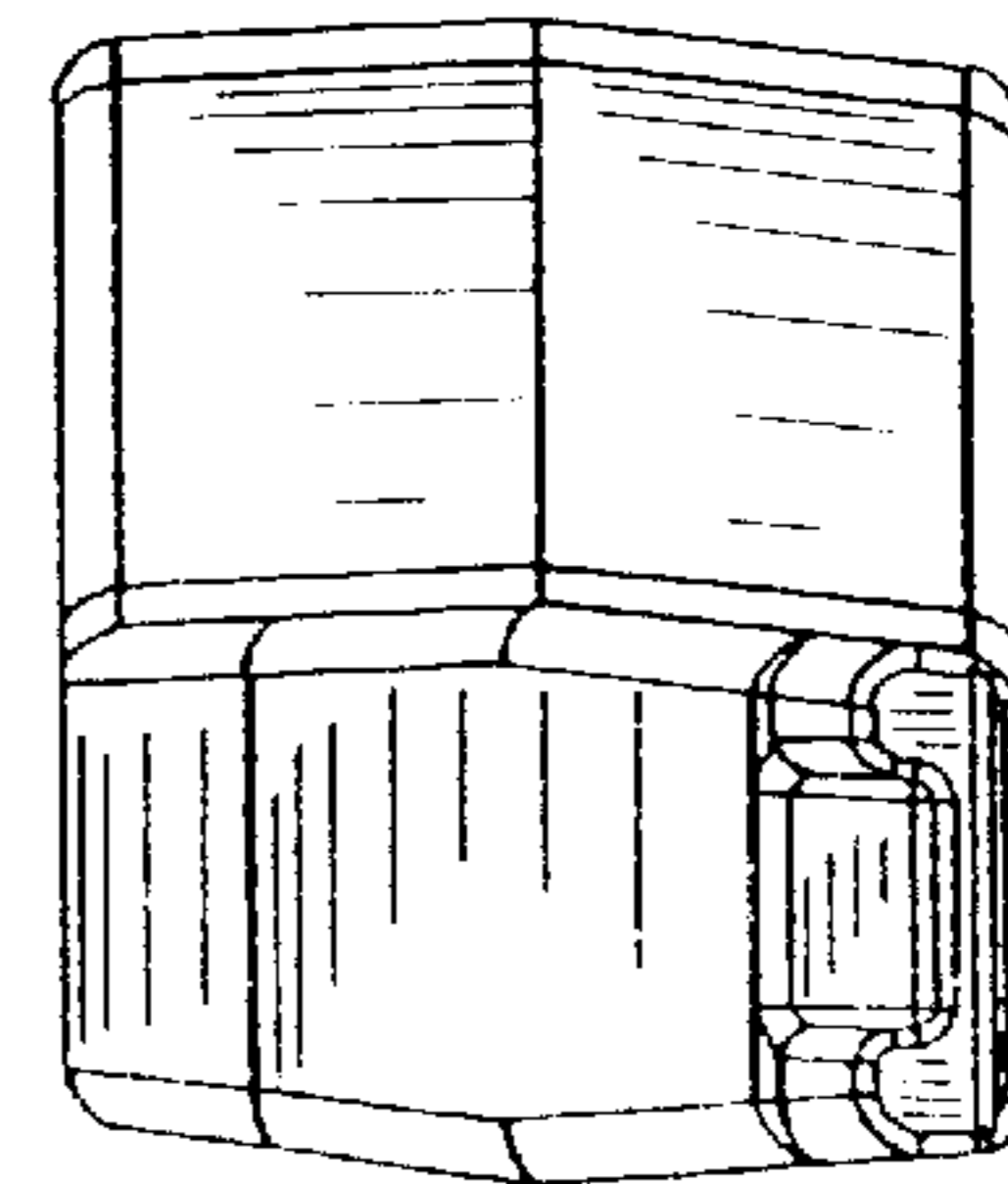


FIG. 5

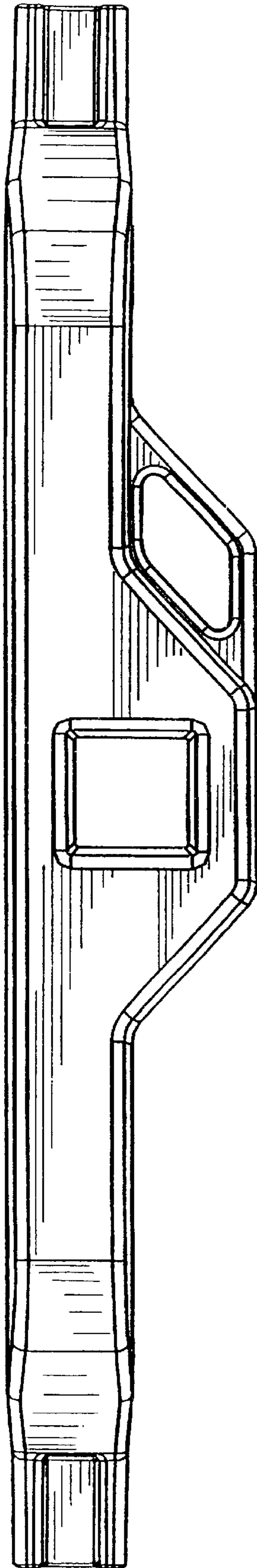


FIG. 6

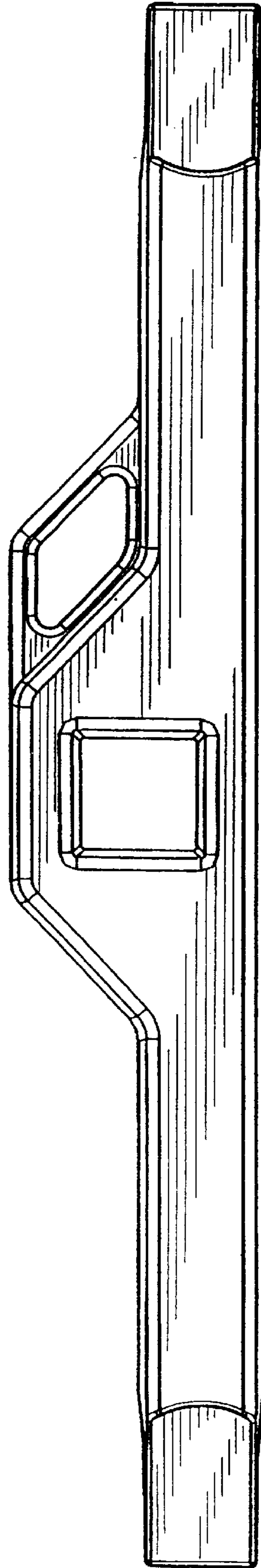


FIG. 7