



US00D486249S

(12) **United States Design Patent**
Mann

(10) **Patent No.:** **US D486,249 S**

(45) **Date of Patent:** **** Feb. 3, 2004**

(54) **METAL FOLDED SHEET**

(75) Inventor: **Ronald Leslie Mann**, Smithfield (AU)

(73) Assignee: **Gram Engineering Pty Ltd**, Smithfield (AU)

(**) Term: **14 Years**

(21) Appl. No.: **29/176,884**

(22) Filed: **Mar. 3, 2003**

(30) **Foreign Application Priority Data**

Sep. 3, 2002 (AU) 2724/2002

(51) **LOC (7) Cl.** **25-01**

(52) **U.S. Cl.** **D25/122**

(58) **Field of Search** D25/121, 122;
256/1, 19, 20, 21, 65.15, 65.16, 65.02,
59

(56) **References Cited**

U.S. PATENT DOCUMENTS

2,642,269 A * 6/1953 Daniel 256/21

3,933,311 A * 1/1976 Lemelson 256/59
D326,329 S * 5/1992 Ballstadt D25/122

* cited by examiner

Primary Examiner—Doris Clark

(74) *Attorney, Agent, or Firm*—Steptoe & Johnson LLP; D. Douglas Price

(57) **CLAIM**

The ornamental design for a metal folded sheet, as shown and described.

DESCRIPTION

FIG. 1 is a front elevational view of a metal folded sheet showing my new design;

FIG. 2 is a rear elevational view thereof;

FIG. 3 is a left side elevational view thereof;

FIG. 4 is a right side elevational view thereof;

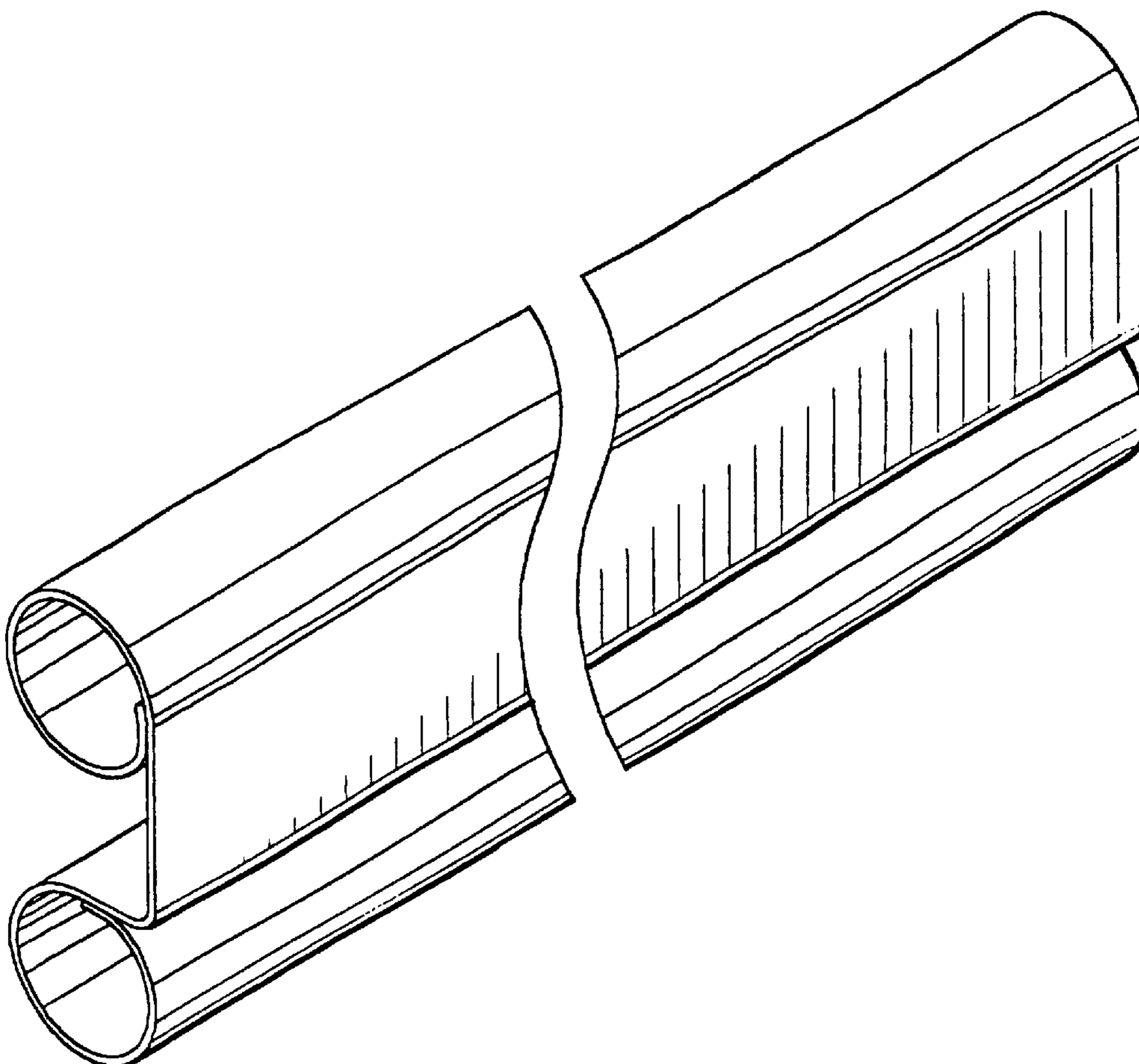
FIG. 5 is a top plan view thereof;

FIG. 6 is a bottom plan view thereof; and,

FIG. 7 is a perspective view thereof.

The metal folded sheet has been broken in the center to indicate indefinite length.

1 Claim, 4 Drawing Sheets



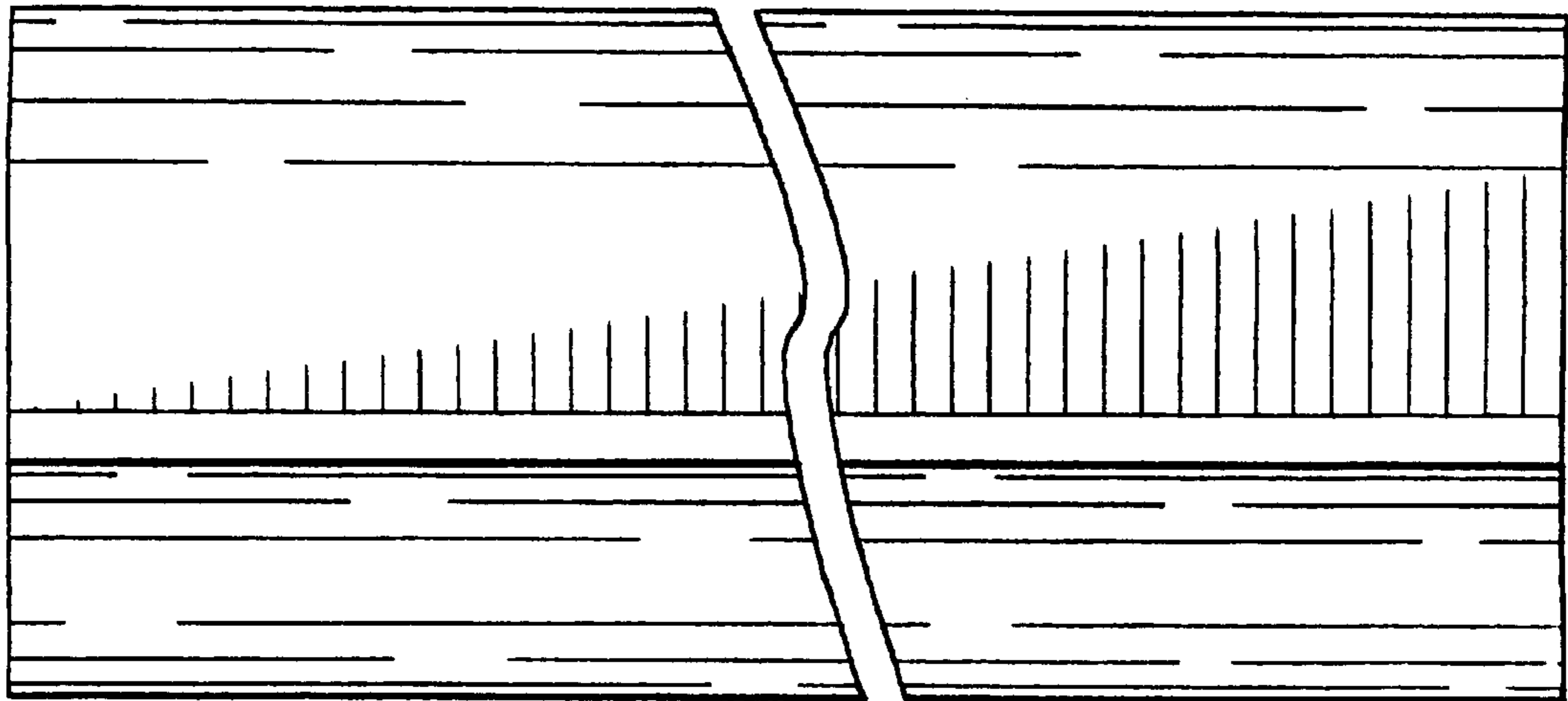


FIGURE 1

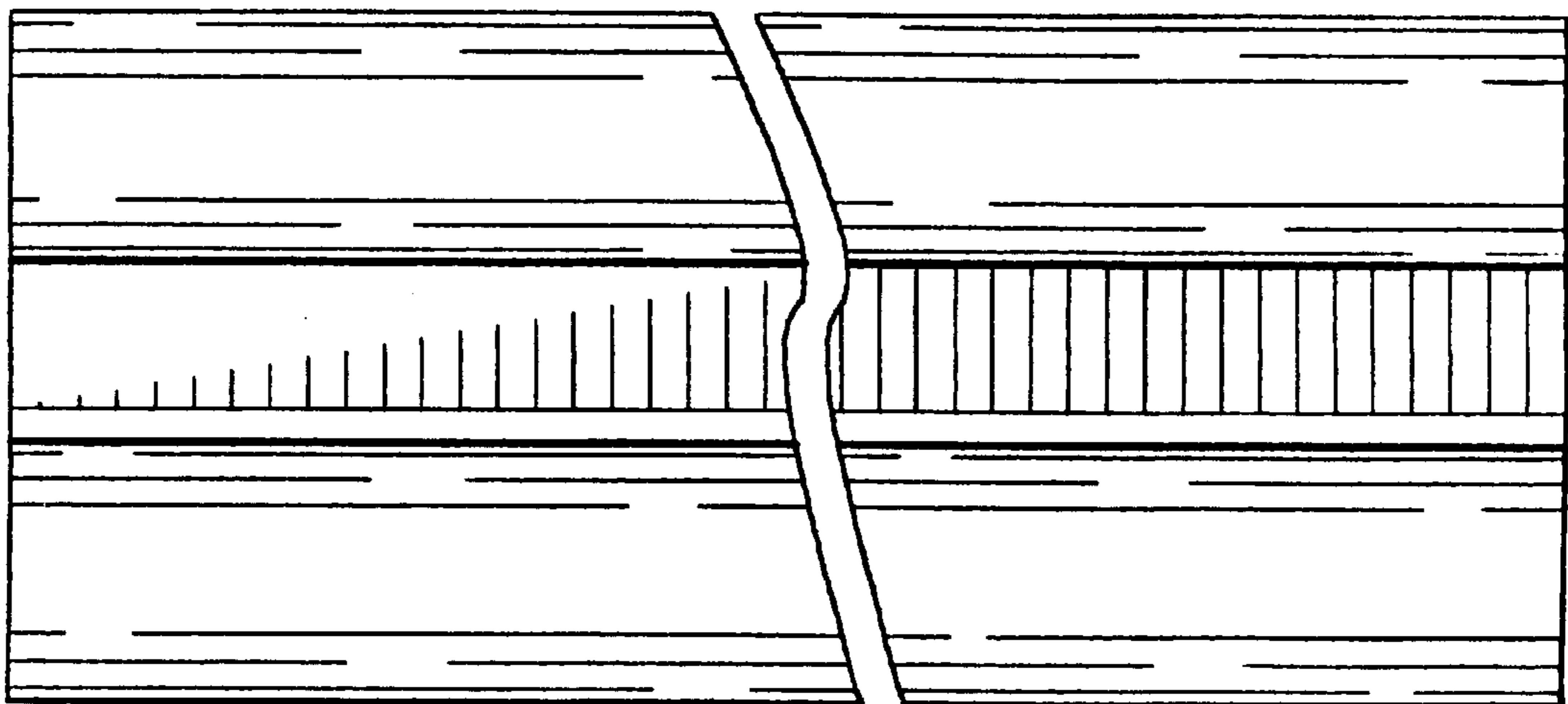


FIGURE 2

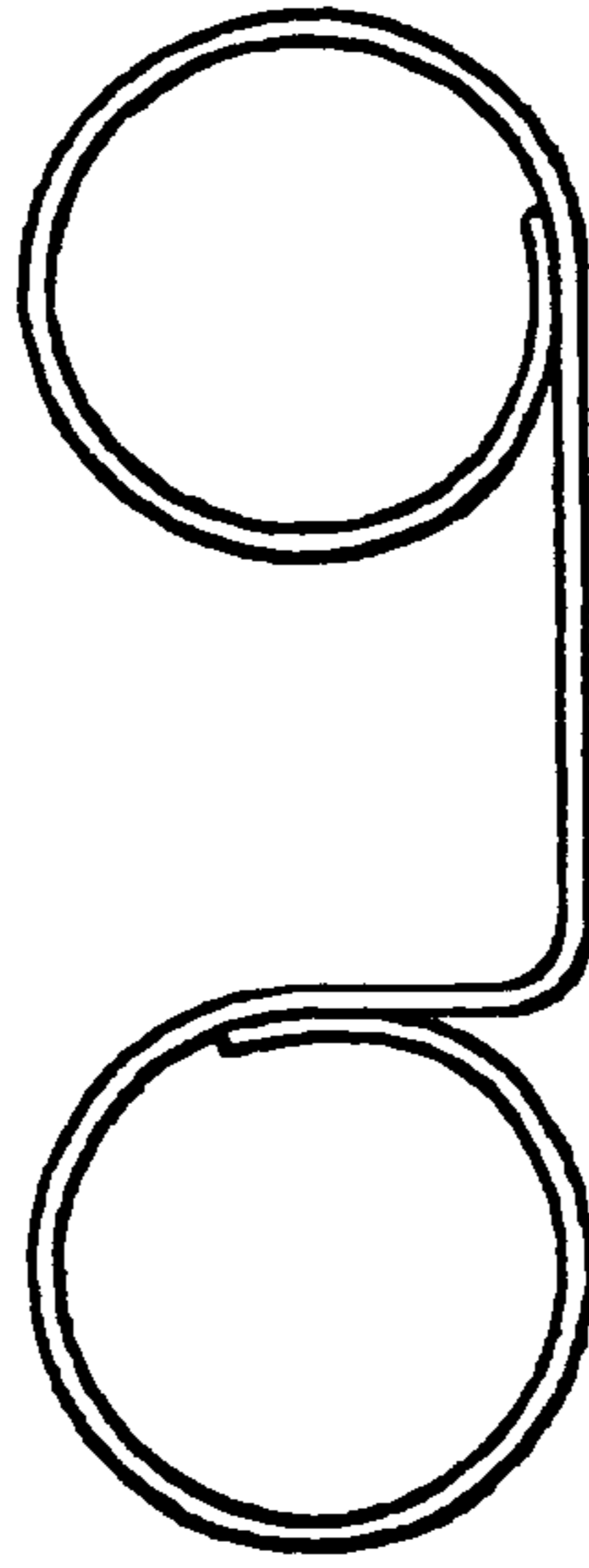


FIGURE 3

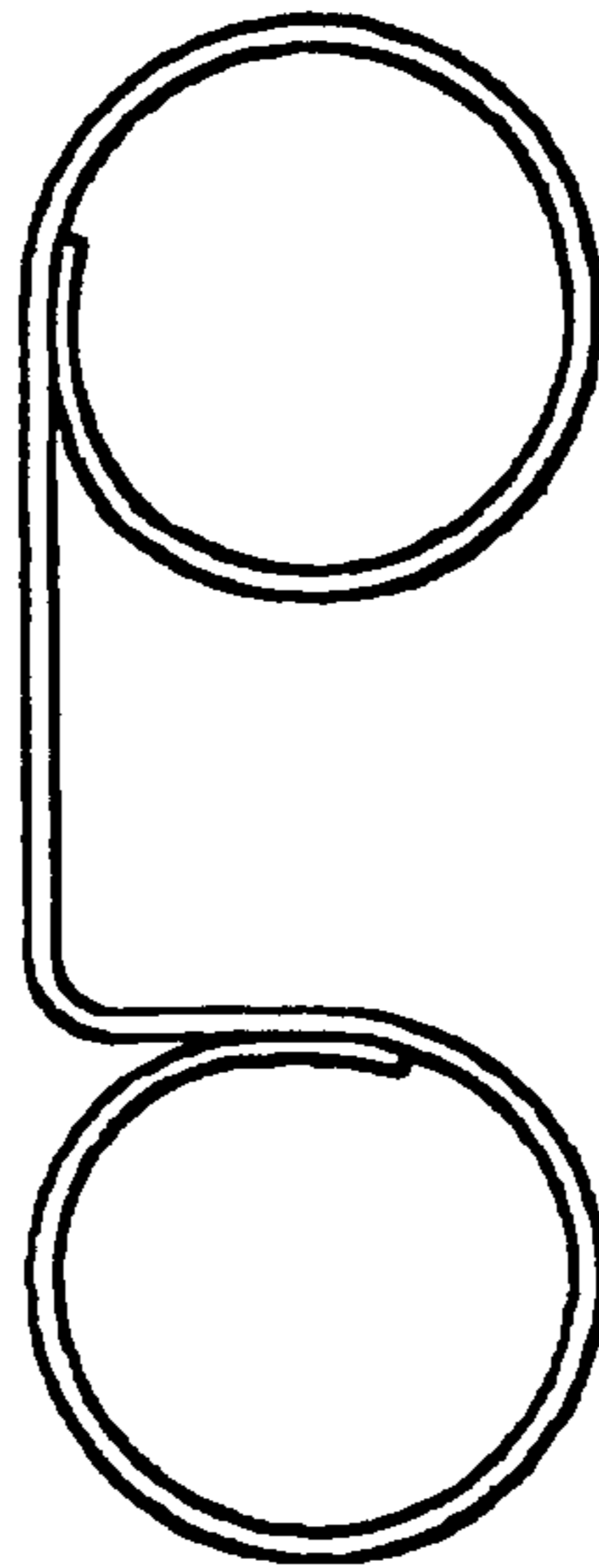


FIGURE 4

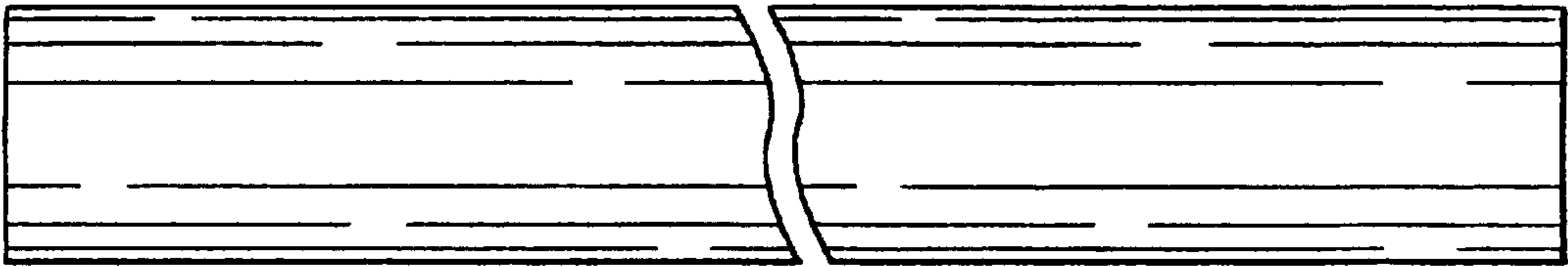


FIGURE 5



FIGURE 6

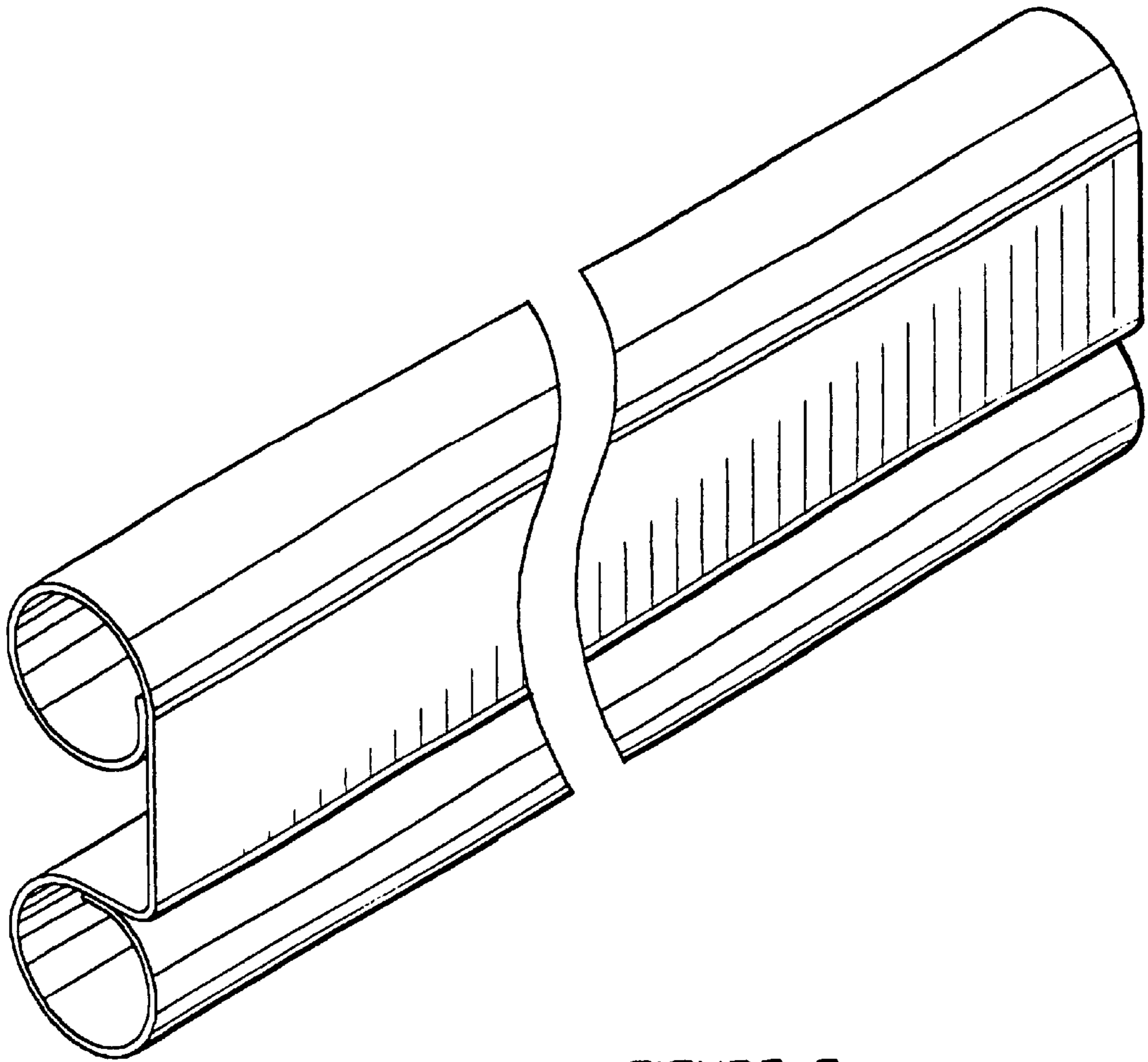


FIGURE 7