



US00D486248S

(12) **United States Design Patent**  
**Sudano**

(10) **Patent No.:** **US D486,248 S**

(45) **Date of Patent:** **\*\* Feb. 3, 2004**

(54) **CORNICE TRIM**

6,381,915 B1 \* 5/2002 Wood ..... 52/716.8

(75) Inventor: **Angelo Sudano**, Boisbriand (CA)

\* cited by examiner

(73) Assignee: **Royal Group Technologies Limited**,  
Woodbridge (CA)

*Primary Examiner*—Doris Clark

(\*\*) Term: **14 Years**

(57) **CLAIM**

(21) Appl. No.: **29/183,622**

The ornamental design for a cornice trim, as shown and described.

(22) Filed: **Jun. 16, 2003**

(51) **LOC (7) Cl.** ..... **25-01**

(52) **U.S. Cl.** ..... **D25/119; D25/55; D25/136**

(58) **Field of Search** ..... **D25/55, 136, 119;**  
**52/716.1, 716.4, 716.8, 718.01**

**DESCRIPTION**

FIG. 1 is a perspective of the cornice trim, the cornice trim being of indefinite length; and,

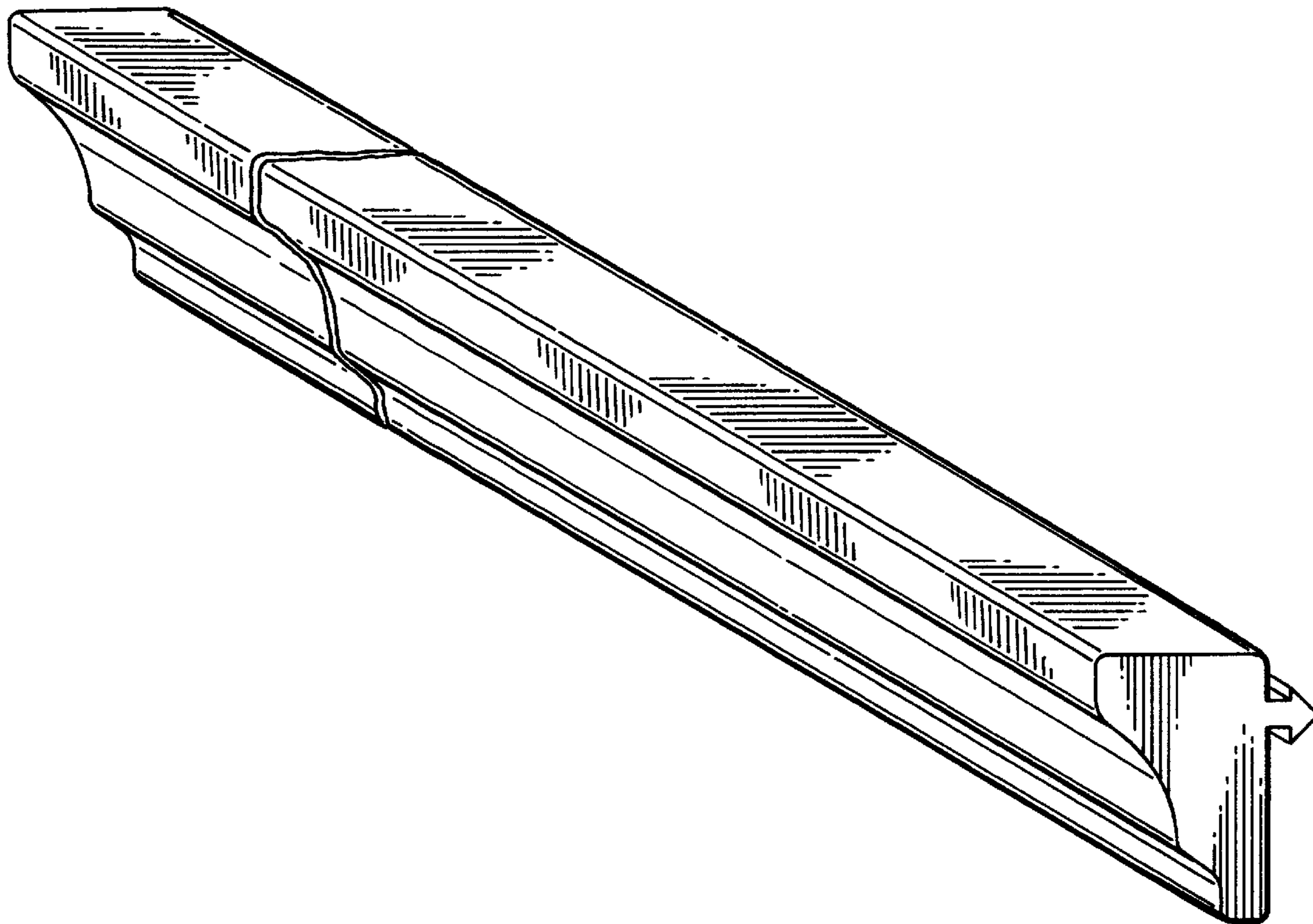
FIG. 2 is an end view of the cornice trim.

(56) **References Cited**

**U.S. PATENT DOCUMENTS**

D274,559 S \* 7/1984 Rosner ..... D25/119

**1 Claim, 1 Drawing Sheet**



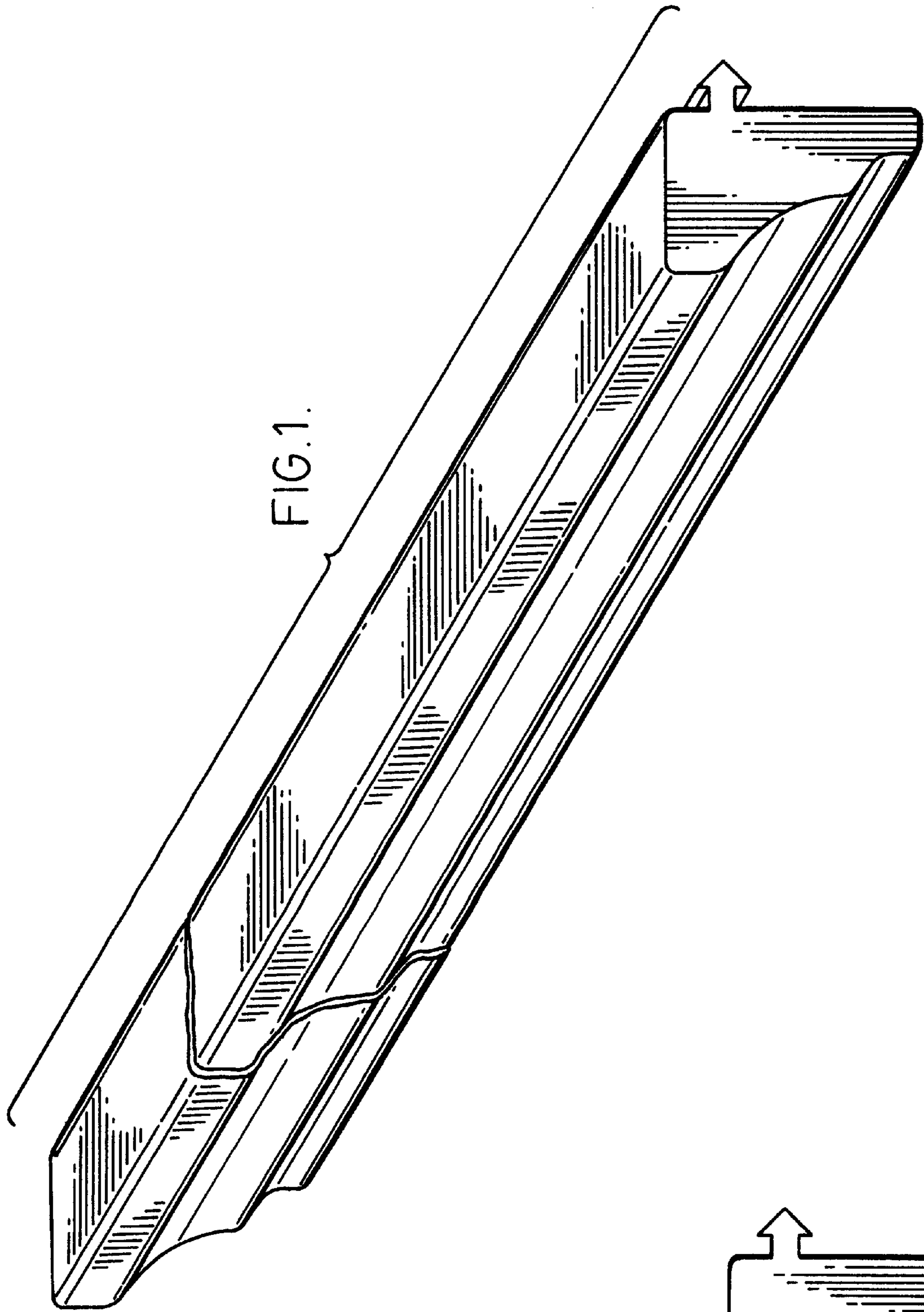


FIG. 1.

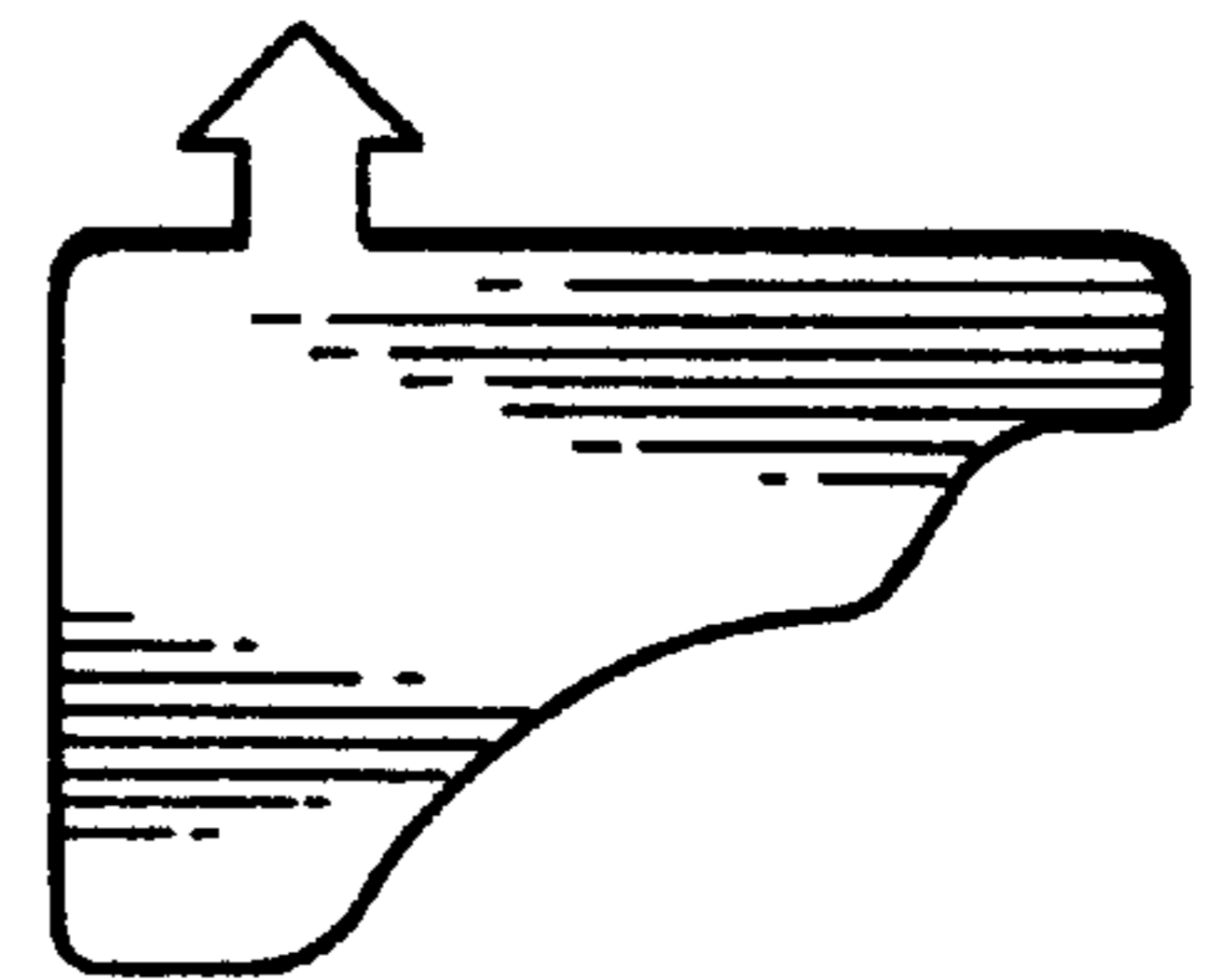


FIG. 2.