



US00D486247S

(12) **United States Design Patent**  
**Eichner et al.**

(10) **Patent No.:** **US D486,247 S**

(45) **Date of Patent:** **\*\* Feb. 3, 2004**

(54) **MOULDING**

(75) Inventors: **Eugene Eichner**, Dix Hills, NY (US);  
**L. Gordon Van Vechten**, St. James,  
NY (US)

(73) Assignee: **Framerica Corporation**, Yaphank, NY  
(US)

(\*\*) Term: **14 Years**

(21) Appl. No.: **29/167,598**

(22) Filed: **Sep. 17, 2002**

(51) **LOC (7) Cl.** ..... **25-01**

(52) **U.S. Cl.** ..... **D25/119; D25/136**

(58) **Field of Search** ..... 52/716.1, 718.81,  
52/717.03, 287.1, 288.1; D25/136, 119

(56) **References Cited**

U.S. PATENT DOCUMENTS

D212,080 S \* 8/1968 Vondergoltz ..... D25/136

5,819,485 A \* 10/1998 Lane et al. .... 52/716.1

5,992,115 A 11/1999 Felix ..... 52/718.01

D419,692 S 1/2000 Ancel ..... D25/119

\* cited by examiner

*Primary Examiner*—Doris Clark

(74) *Attorney, Agent, or Firm*—Kenyon & Kenyon

(57) **CLAIM**

The ornamental design for a moulding, as shown and described.

**DESCRIPTION**

FIG. 1 is a perspective view of a moulding showing our new design;

FIG. 2 is an end view thereof;

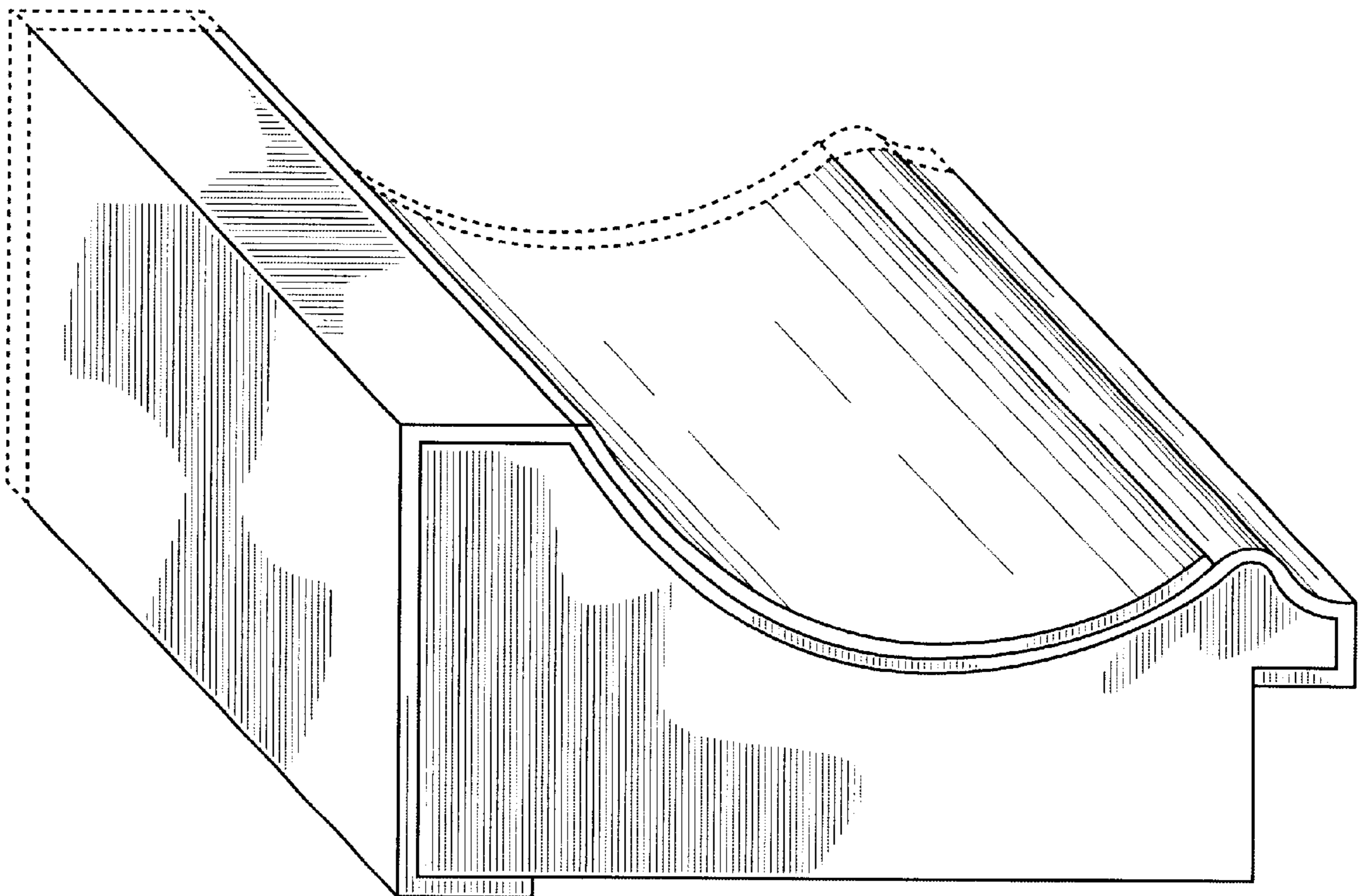
FIG. 3 is a front view thereof;

FIG. 4 is a bottom view thereof; and,

FIG. 5 is a top view thereof.

The double broken lines indicate that the moulding continues indeterminately in the direction depicted.

**1 Claim, 3 Drawing Sheets**



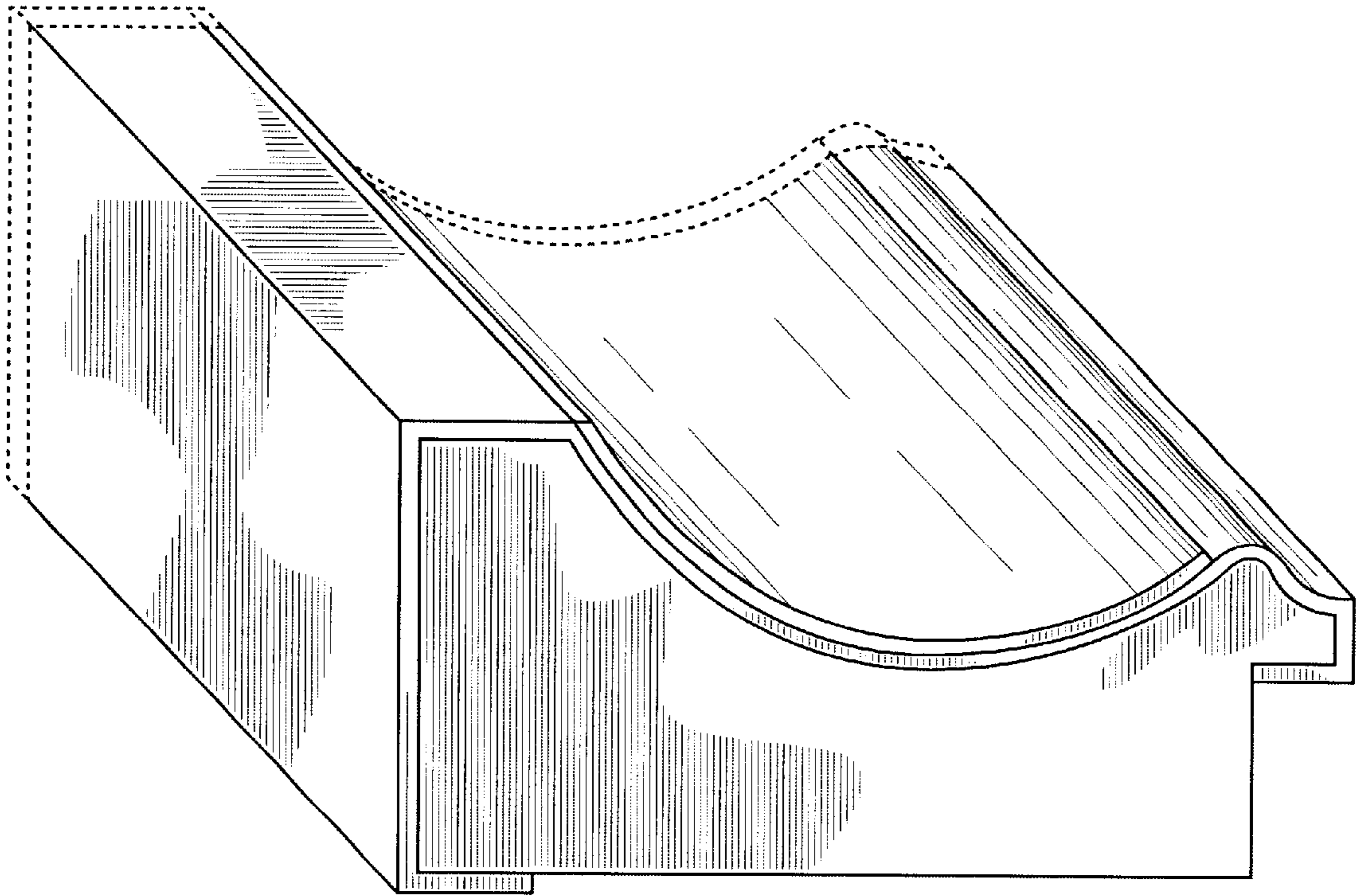


FIGURE 1

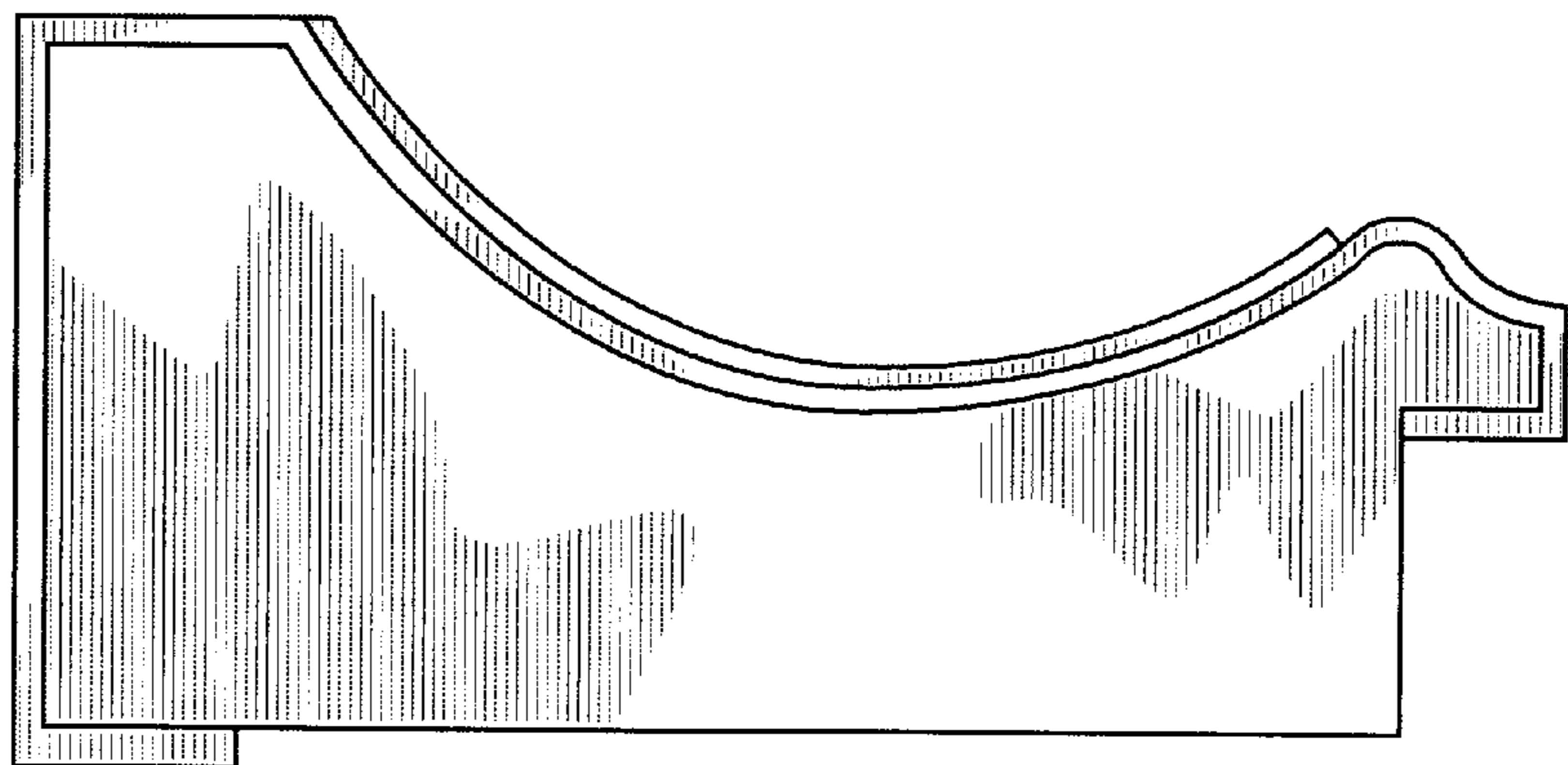


FIGURE 2

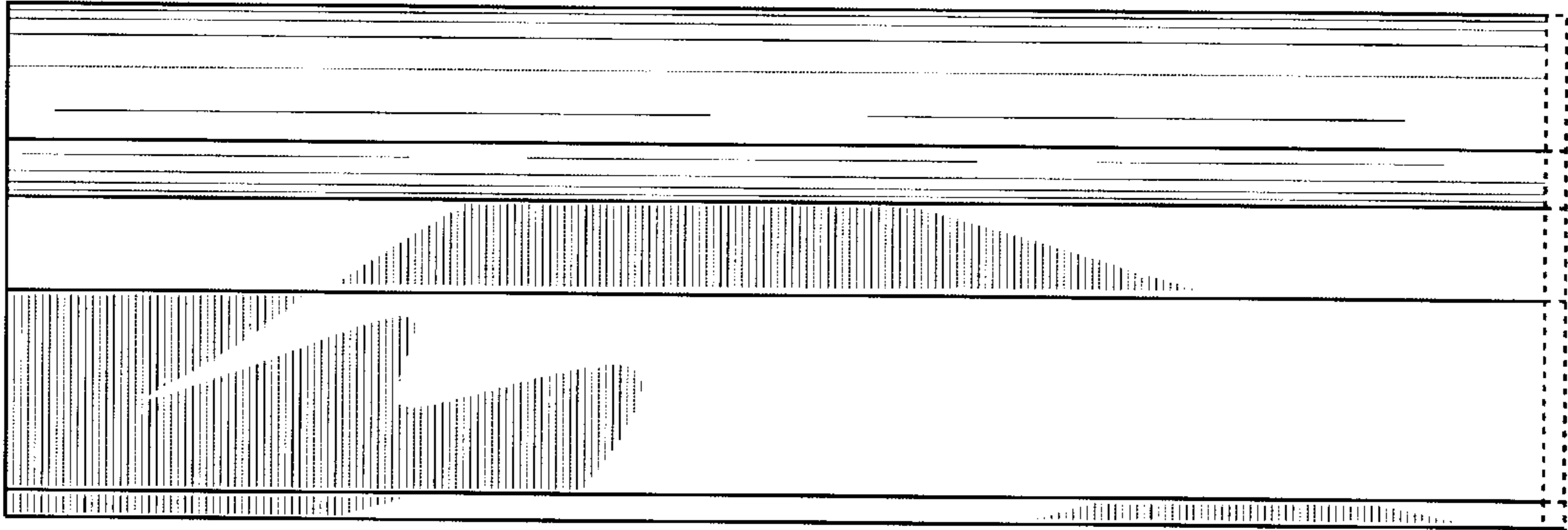


FIGURE 3

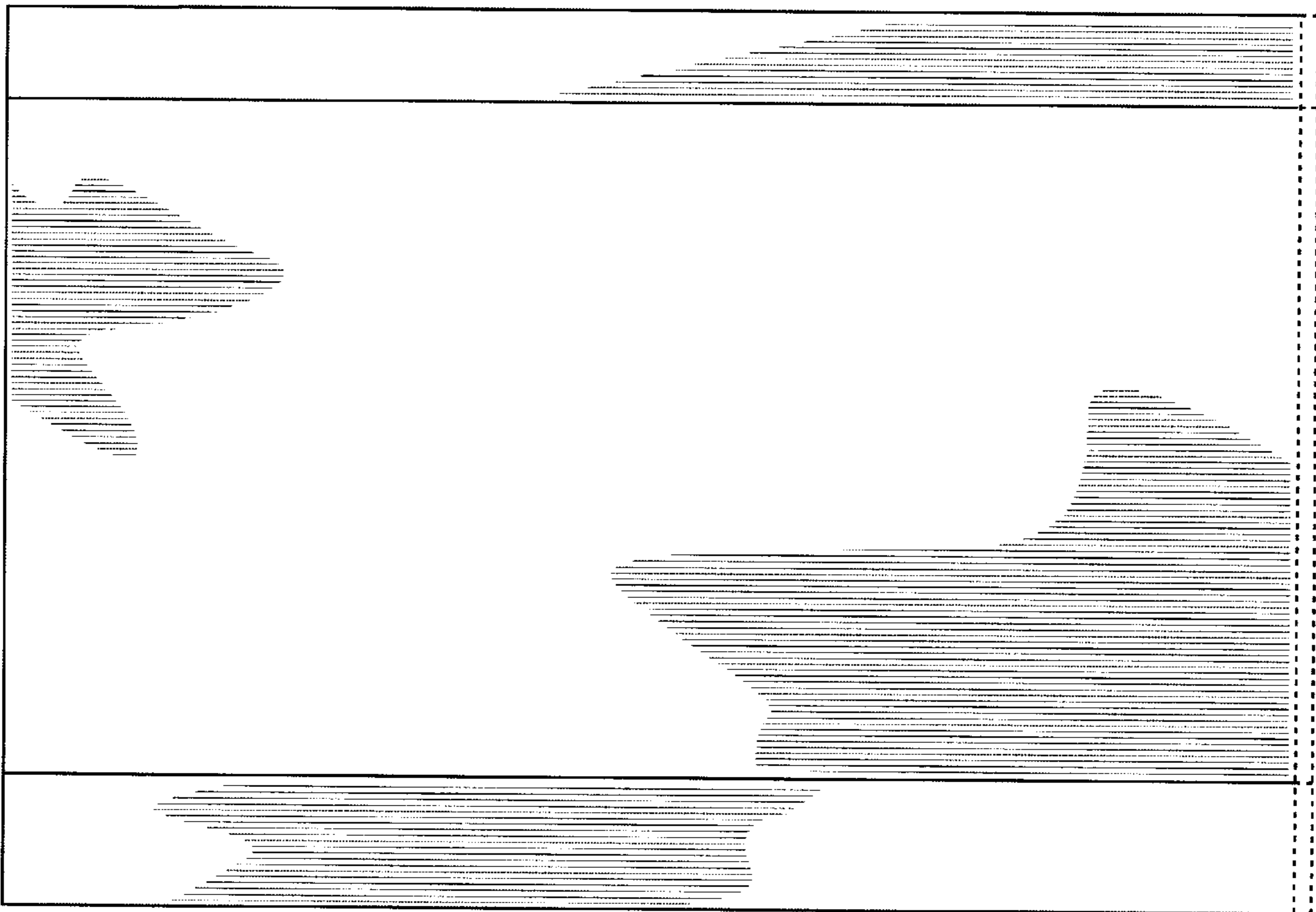


FIGURE 4

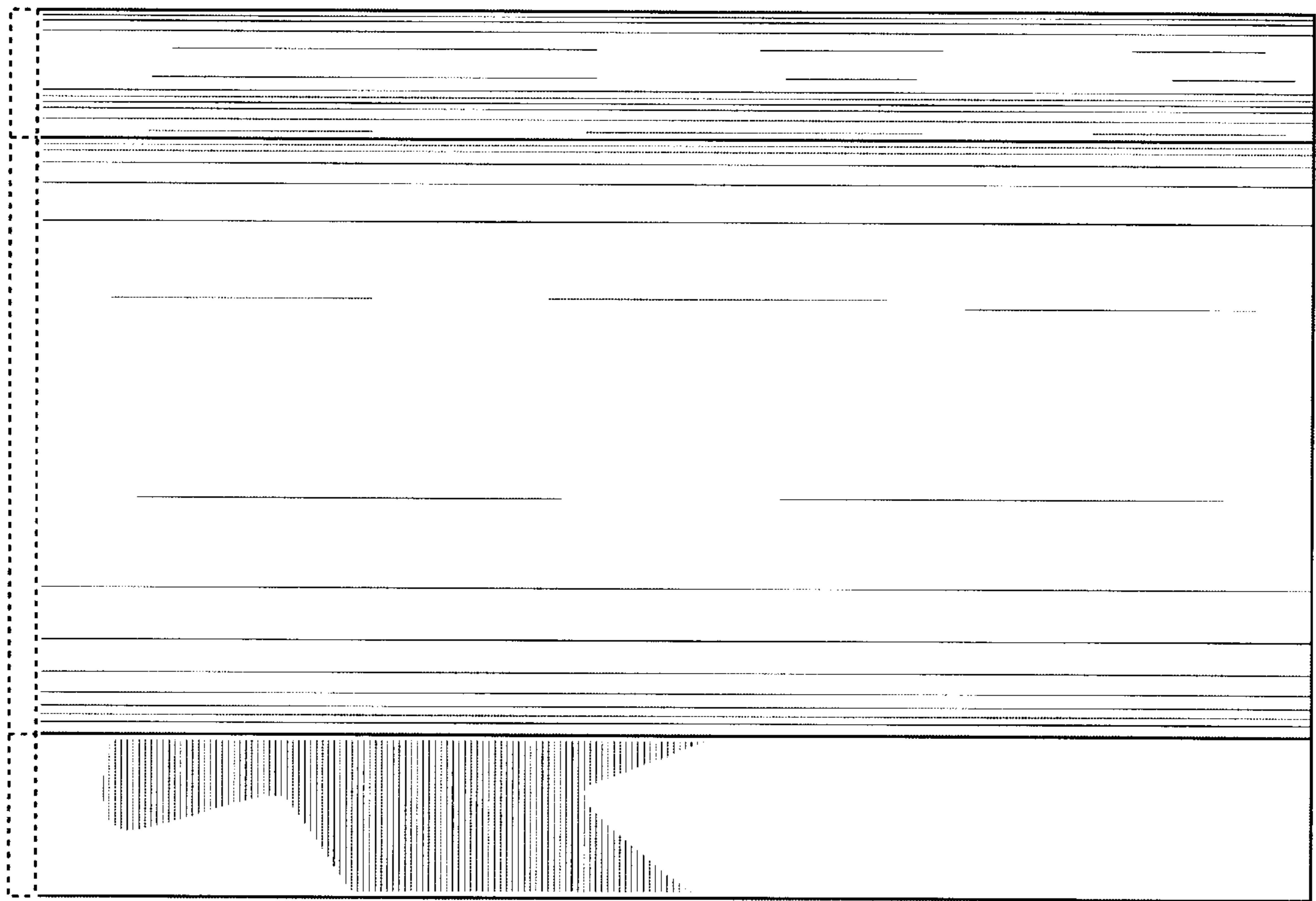


FIGURE 5