



US00D486242S

(12) **United States Design Patent** (10) **Patent No.:** **US D486,242 S**  
**Lin** (45) **Date of Patent:** **\*\* Feb. 3, 2004**

(54) **CANOPY**

(75) Inventor: **Steven Lin**, Medford, NY (US)

(73) Assignee: **Pacific Currents Inc.**, Medford, NY (US)

(\*\*) Term: **14 Years**

(21) Appl. No.: **29/173,166**

(22) Filed: **Dec. 23, 2002**

(51) **LOC (7) Cl.** ..... **25-02**

(52) **U.S. Cl.** ..... **D25/56**

(58) **Field of Search** ..... D25/56; 135/90, 135/908; 52/23, 83

(56) **References Cited**

**U.S. PATENT DOCUMENTS**

D333,875 S \* 3/1993 Jones et al. .... D25/56

D471,645 S \* 3/2003 Wang ..... D25/56

\* cited by examiner

*Primary Examiner*—Doris Clark

(74) *Attorney, Agent, or Firm*—Abelman, Frayne & Schwab

(57) **CLAIM**

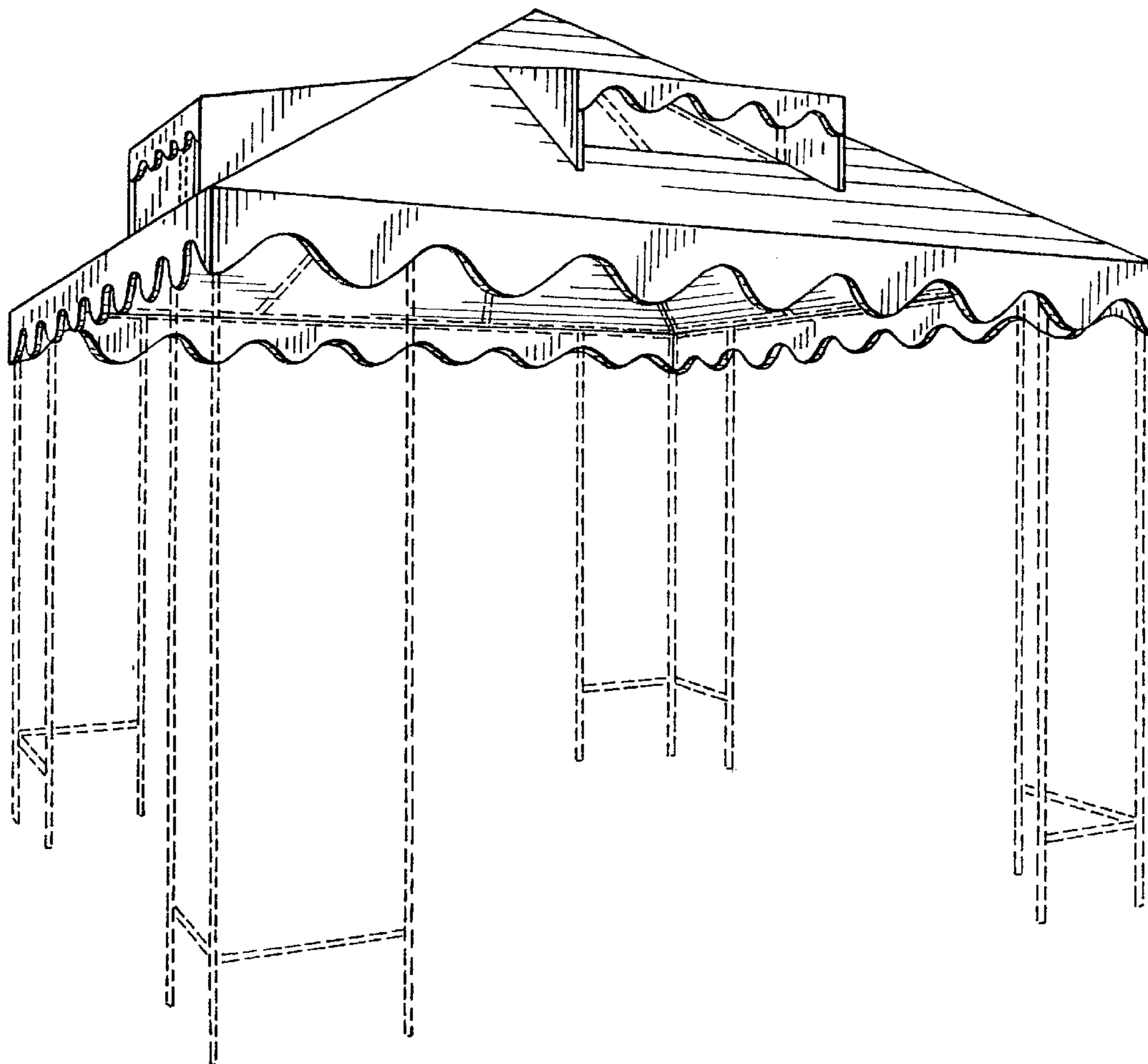
The ornamental design for canopy, as shown and described.

**DESCRIPTION**

FIG. 1 is a front and left side perspective view of the canopy; FIG. 2 is a top plan view of the exterior thereof; FIG. 3 is a side elevation view thereof; FIG. 4 is a plan view of the interior thereof; FIG. 5 is a front and left side perspective view of a second embodiment of the canopy; and, FIG. 6 is a front and left side perspective view of a third embodiment of the canopy.

The broken lines showing the supports are for illustrative purposes only and form no part of the claimed design.

**1 Claim, 7 Drawing Sheets**



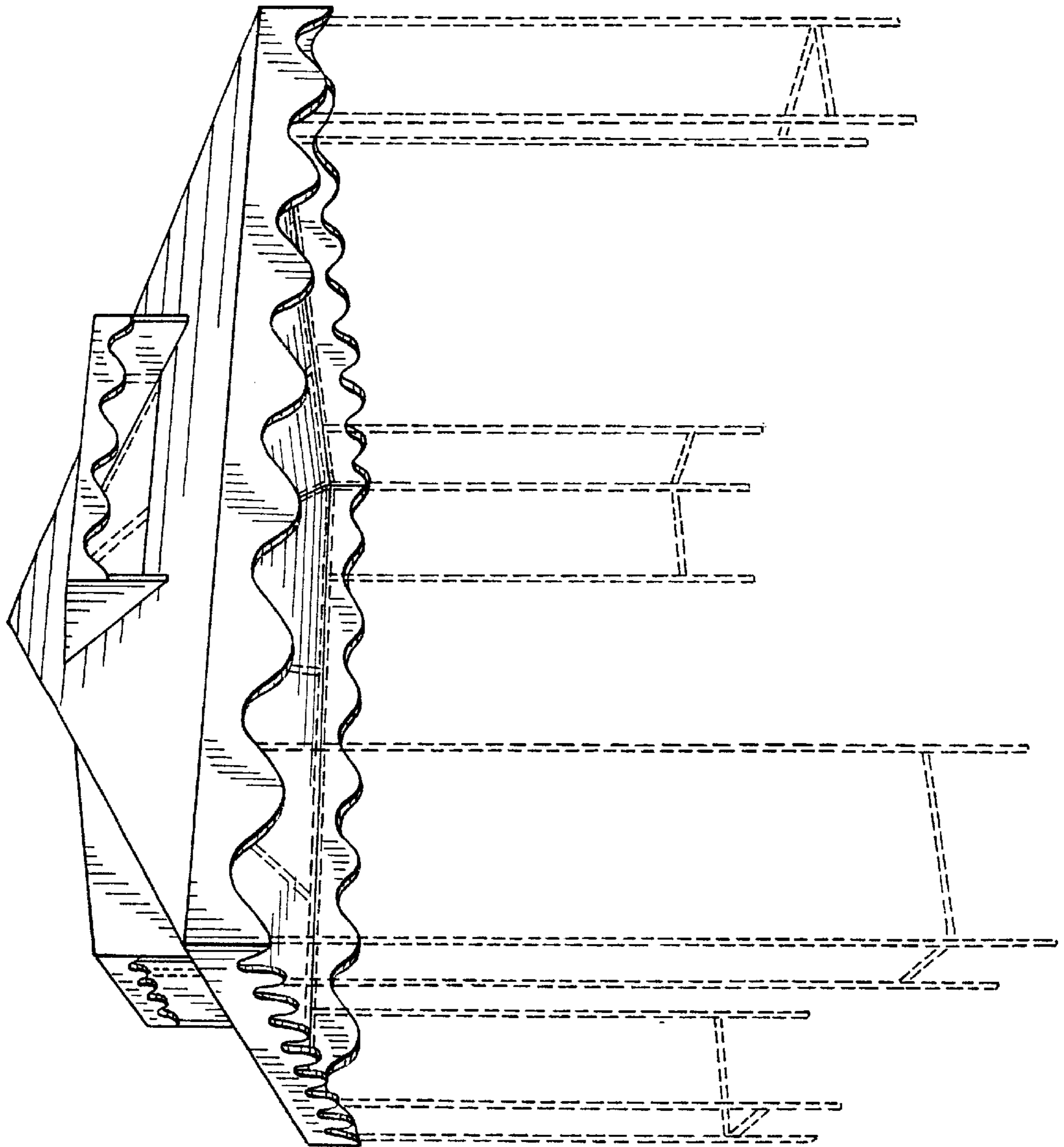


FIG. 1

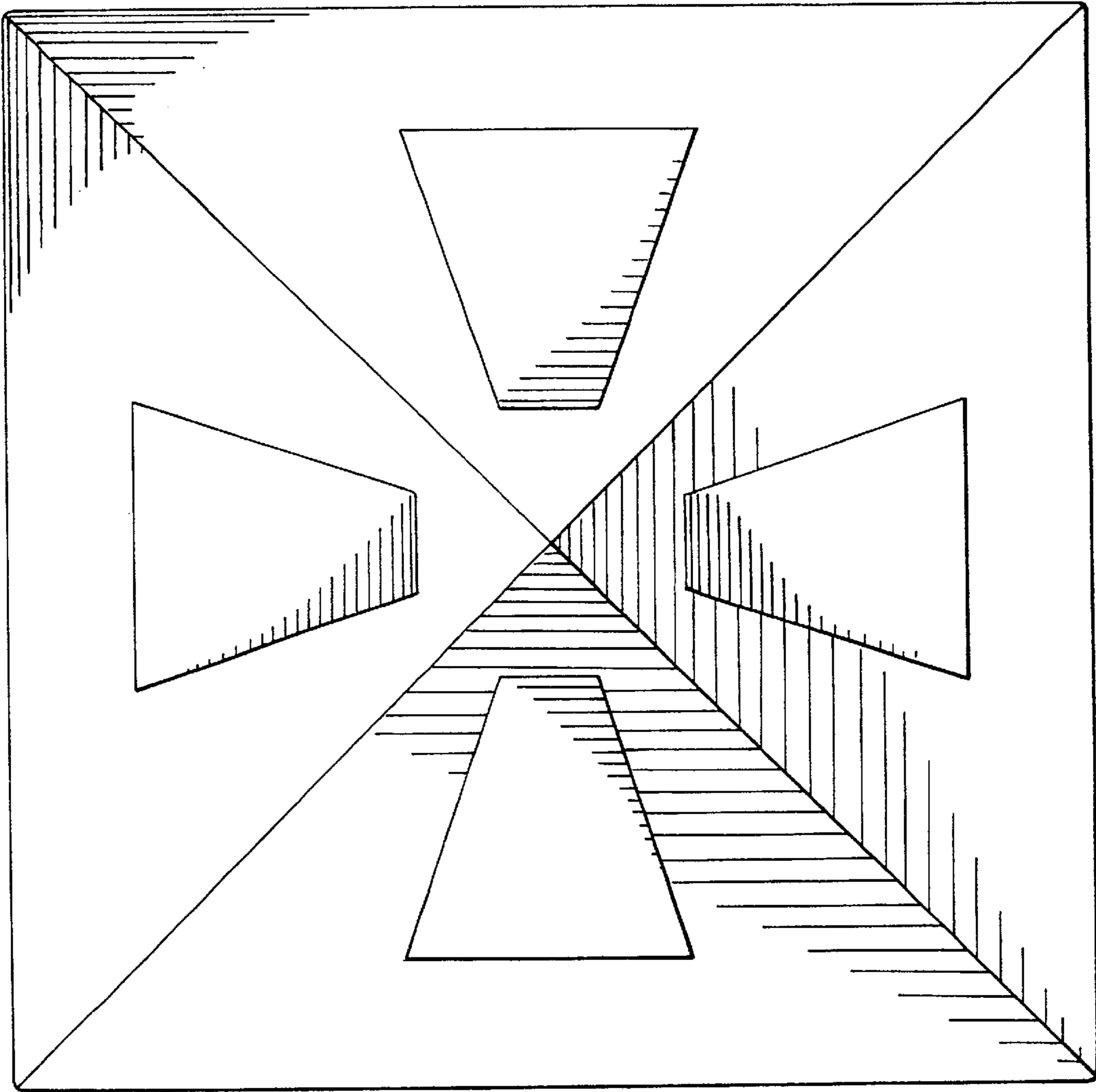


FIG. 2

FIG.3

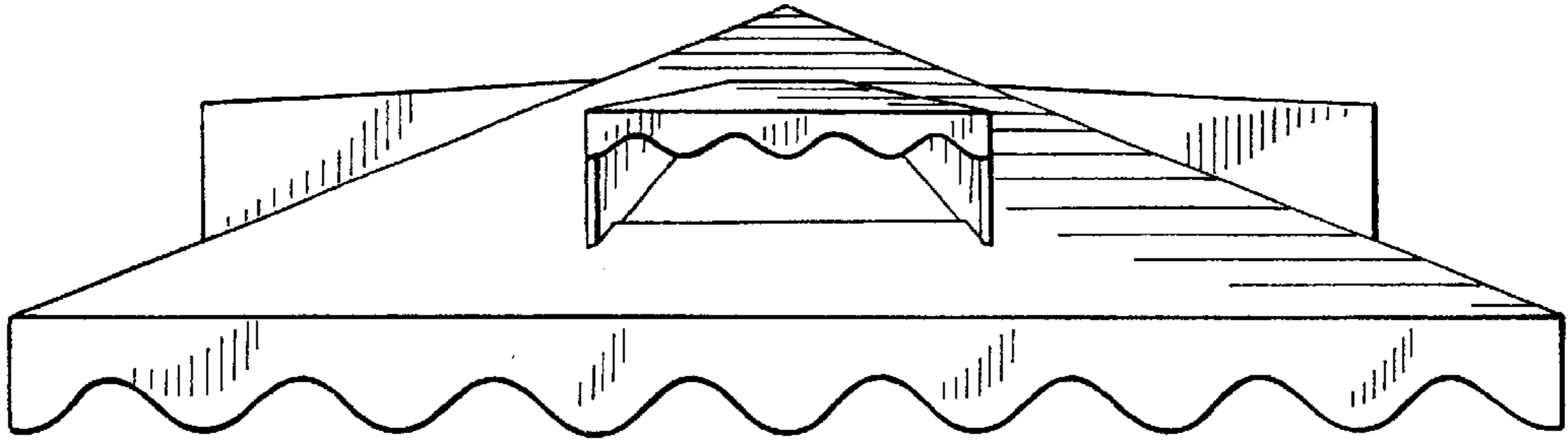
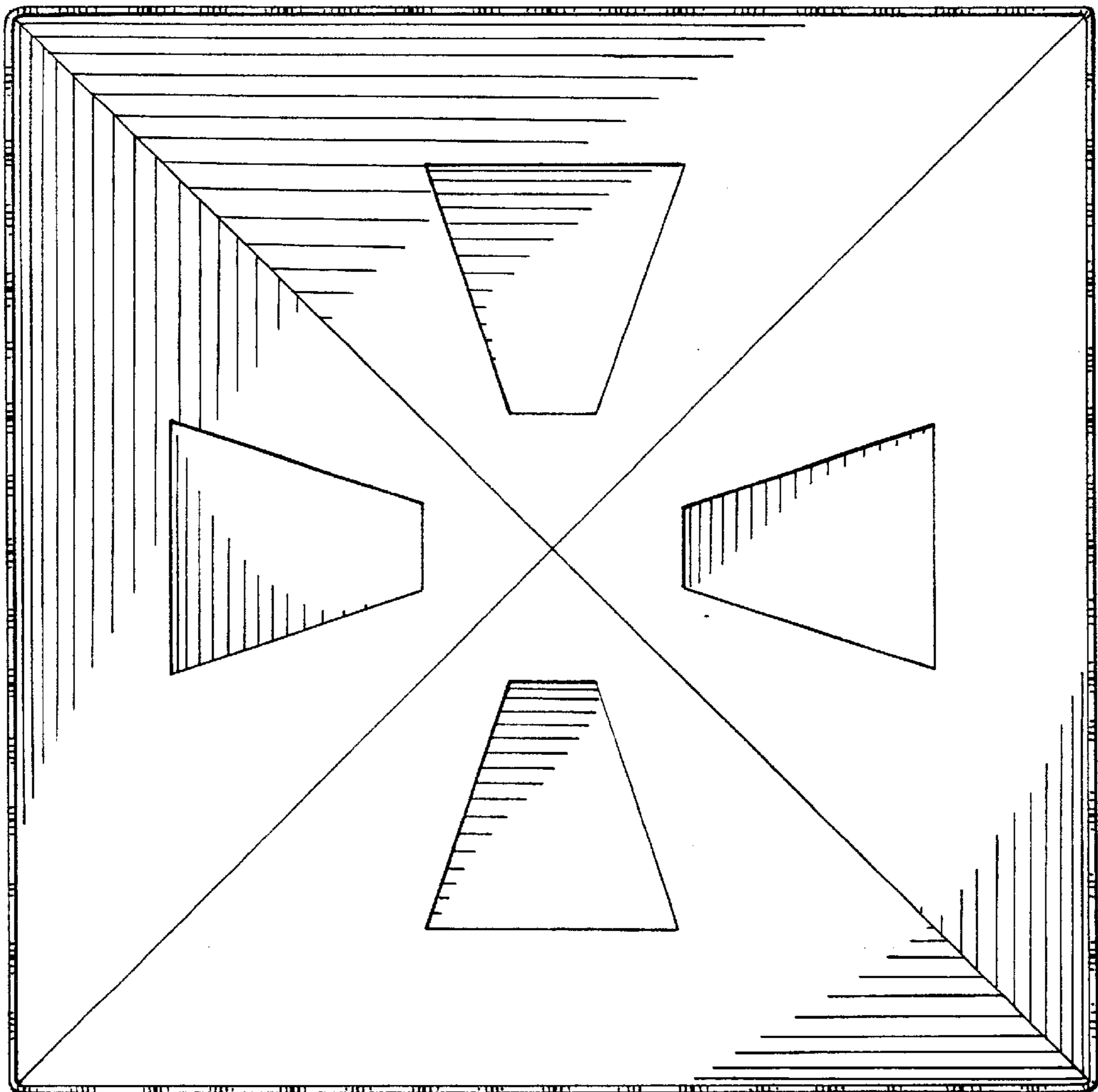


FIG.4



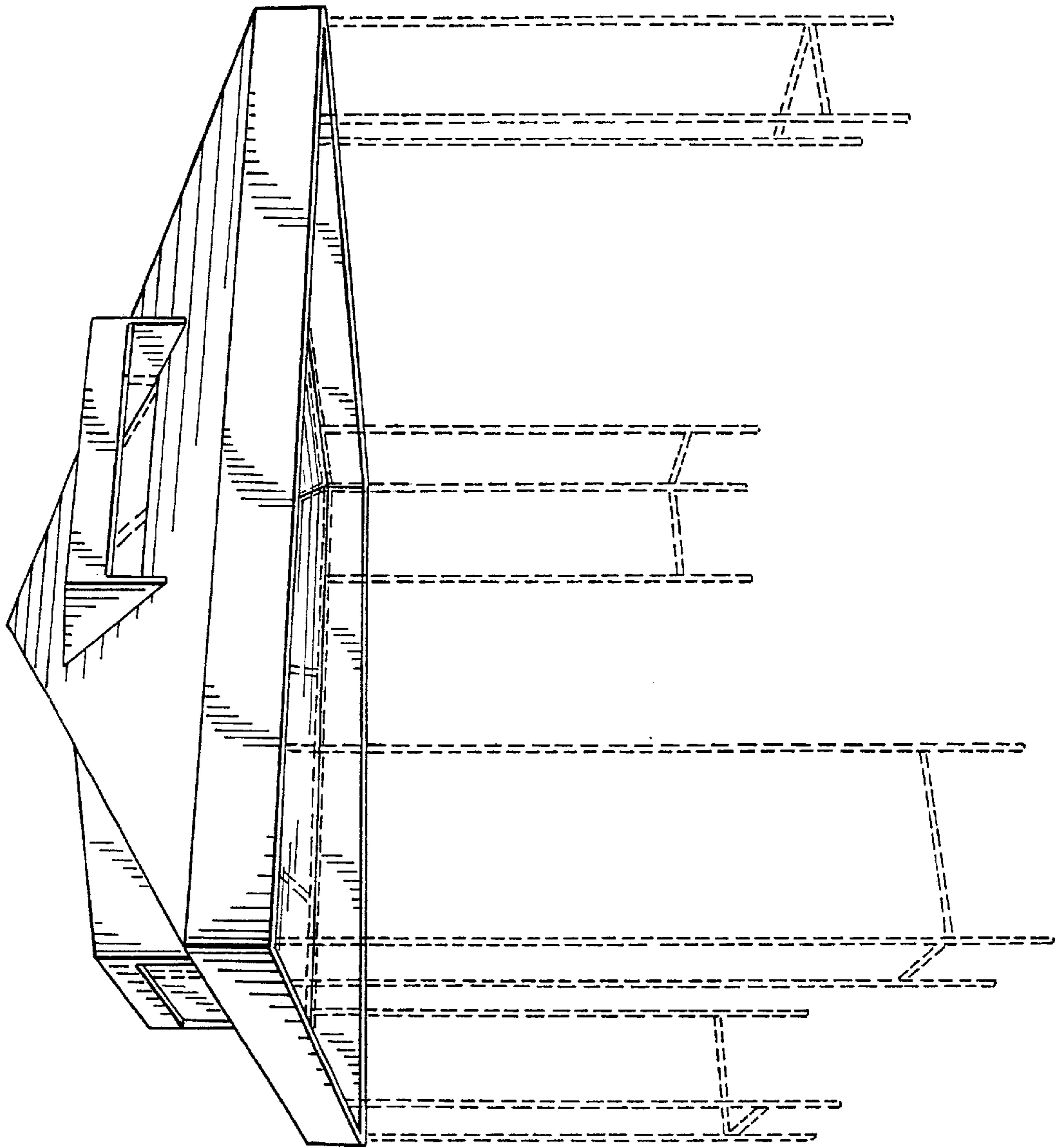


FIG. 5

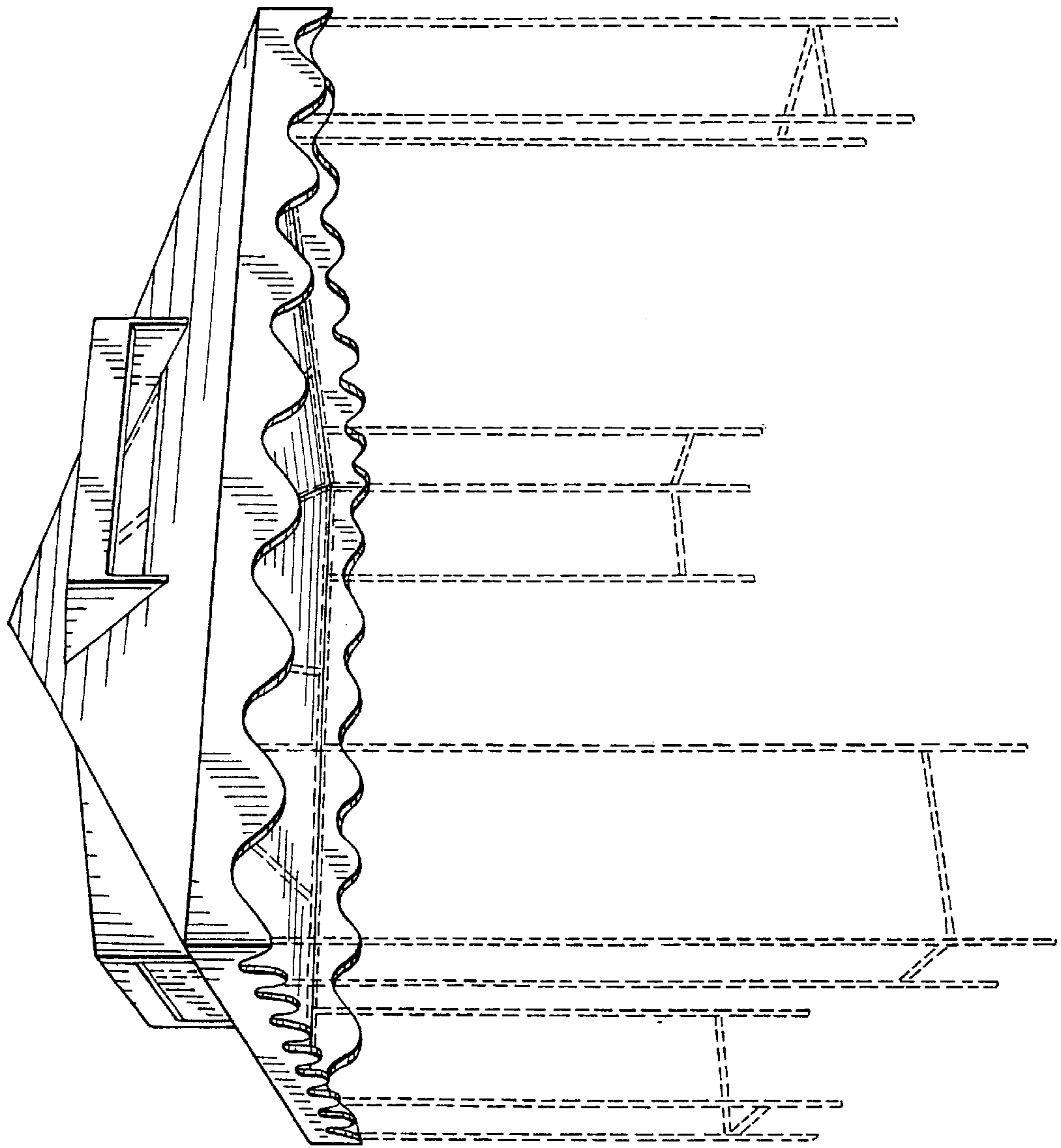


FIG. 6

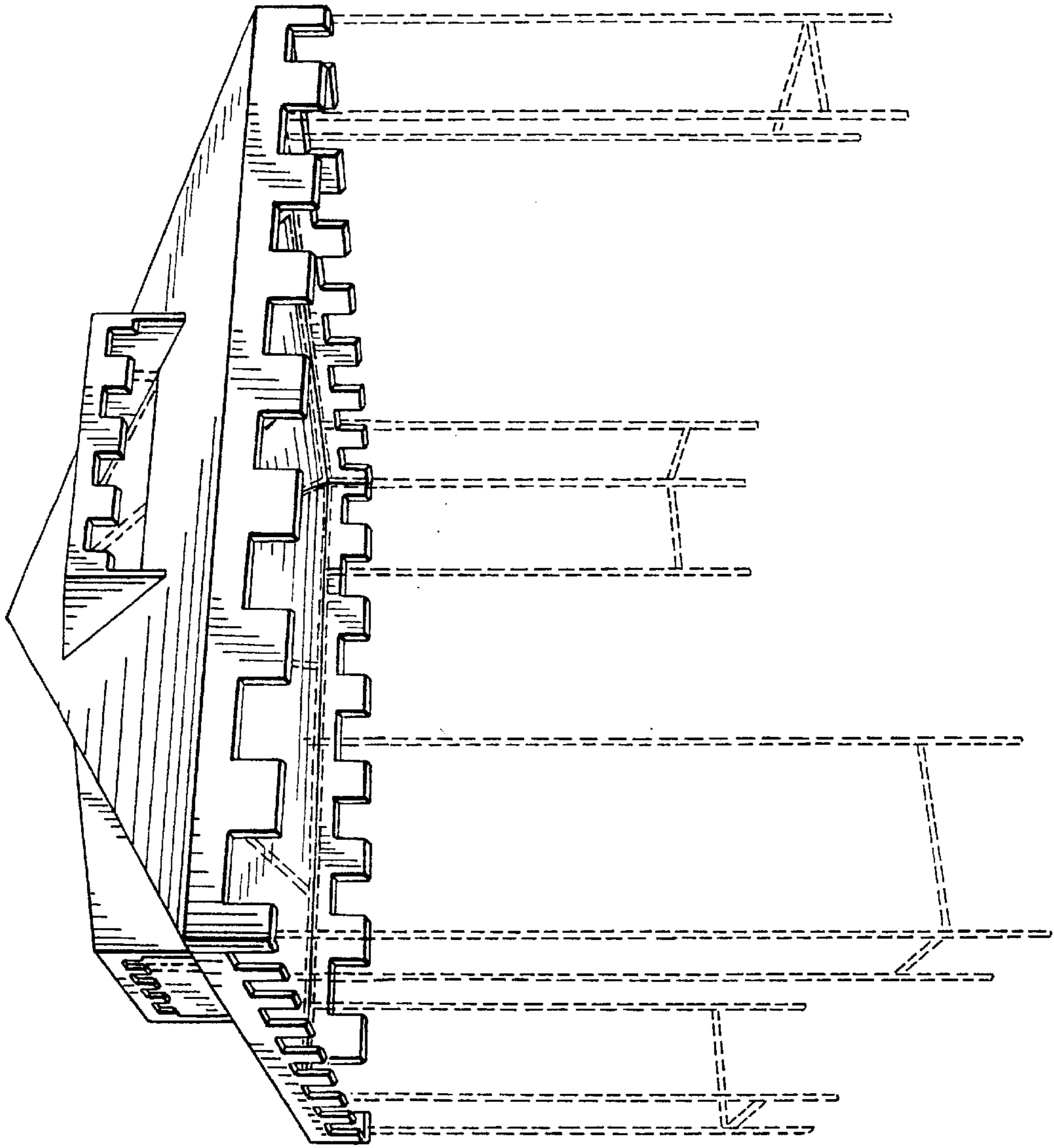


FIG. 7

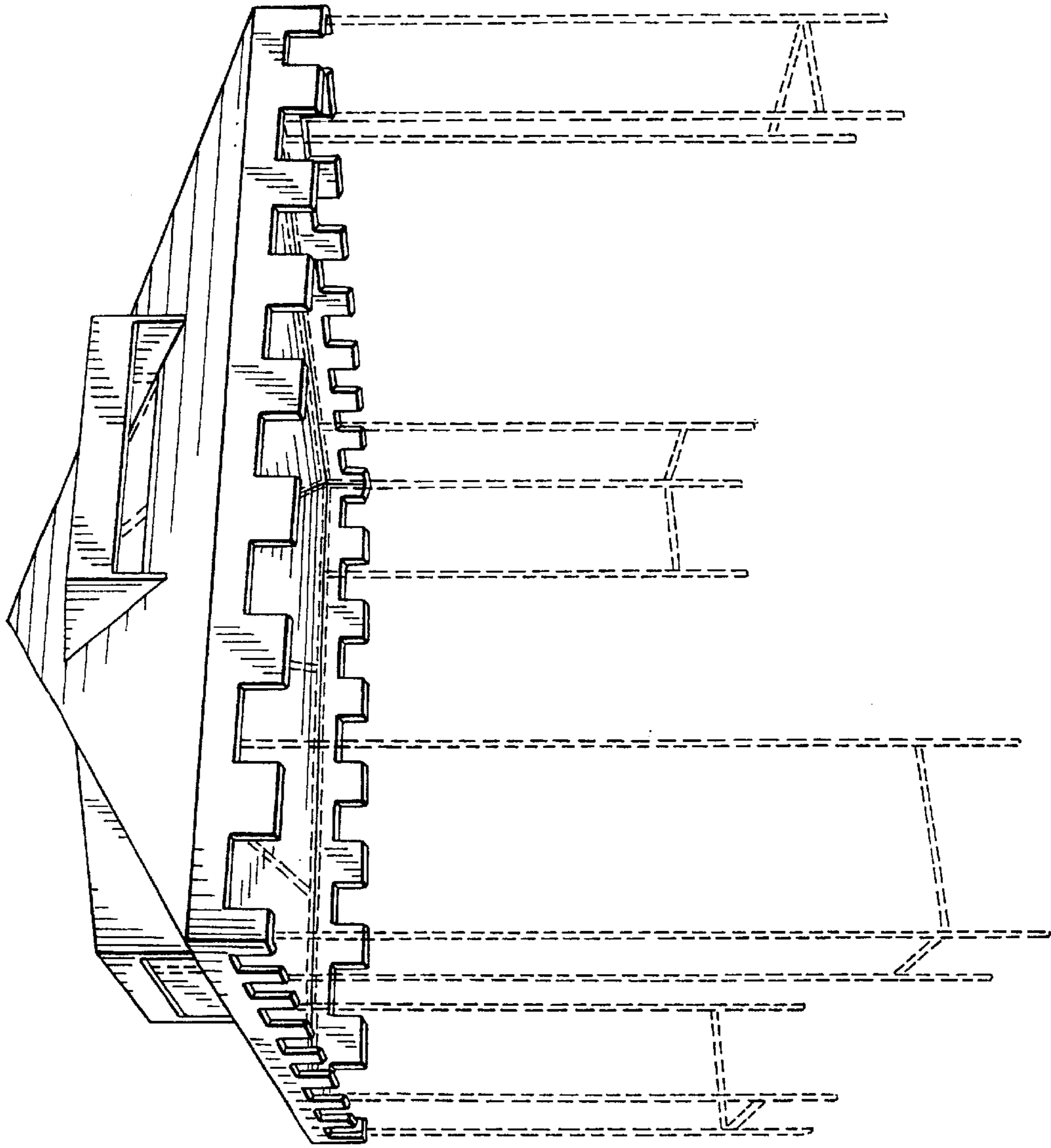


FIG. 8