



US00D486235S

(12) **United States Design Patent**
Haddock

(10) **Patent No.:** **US D486,235 S**

(45) **Date of Patent:** **** Feb. 3, 2004**

(54) **MASSAGER**

(76) **Inventor:** **Phillip W. Haddock**, 10509 Rawhide Trail, Austin, TX (US) 78736-2710

(**) **Term:** **14 Years**

(21) **Appl. No.:** **29/168,916**

(22) **Filed:** **Oct. 10, 2002**

(51) **LOC (7) Cl.** **28-03**

(52) **U.S. Cl.** **D24/211**

(58) **Field of Search** D24/200, 211,
D24/214, 215; 601/118, 119, 129, 130,
131, 134, 135, 136, 137

(56) **References Cited**

U.S. PATENT DOCUMENTS

1,615,910	A	*	2/1927	Nuyts	601/129
4,493,315	A	*	1/1985	Iwahashi	601/135
D314,620	S	*	2/1991	Battaglia	D24/211
D371,607	S	*	7/1996	Taylor	D24/211
D373,195	S	*	8/1996	Hoff	D24/211

D381,083	S	*	7/1997	Ratajac	D24/211
D435,660	S	*	12/2000	Yoo	D24/211
6,245,031	B1	*	6/2001	Pearson	601/118

* cited by examiner

Primary Examiner—Stella Reid
(74) *Attorney, Agent, or Firm*—Fulbright & Jaworski L.L.P.

(57) **CLAIM**

The ornamental design for a massager, as shown and described.

DESCRIPTION

FIG. 1 is a front view of a massager, showing my new design;

FIG. 2 is a left side view thereof;

FIG. 3 is a right side view thereof;

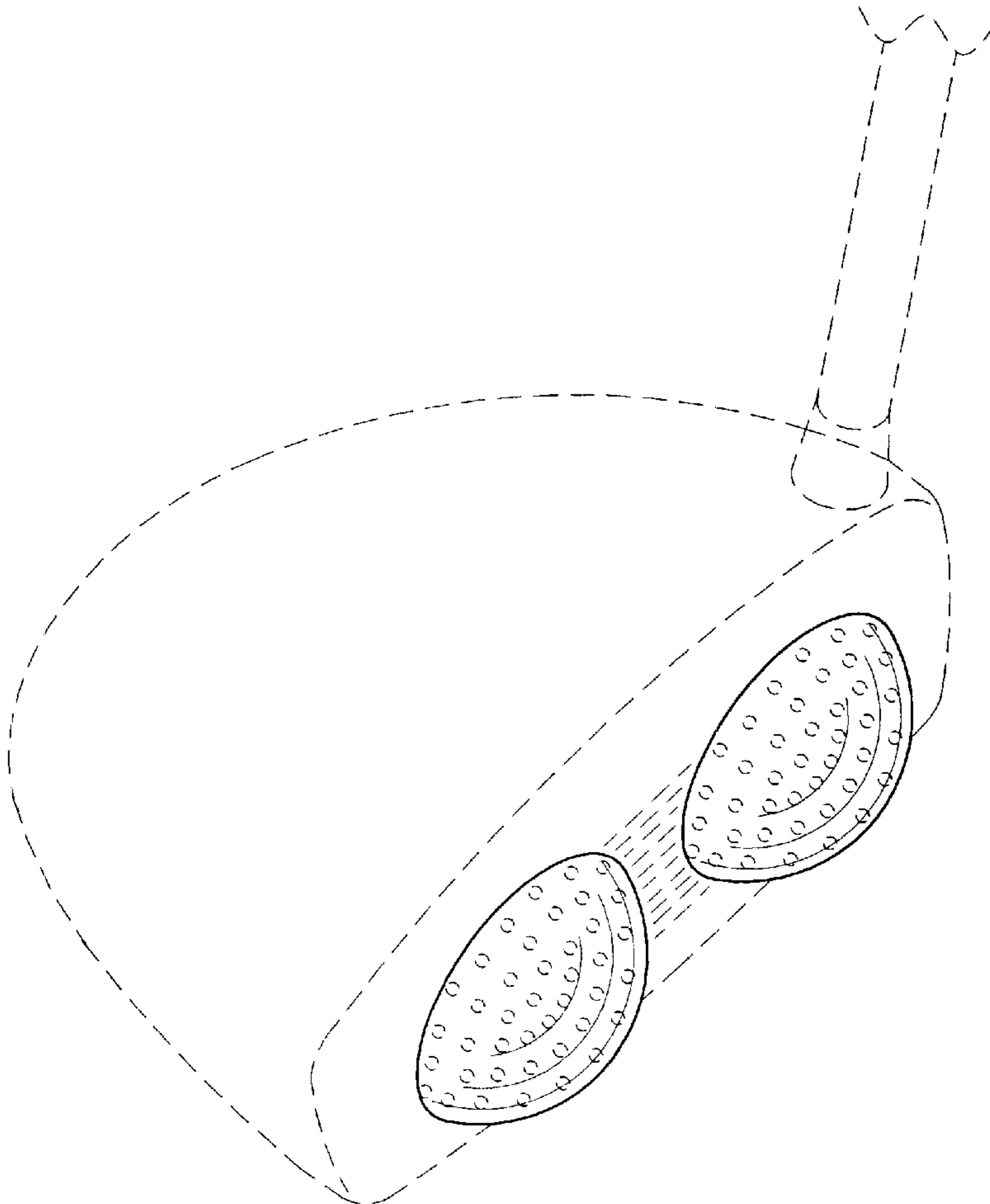
FIG. 4 is a top view thereof;

FIG. 5 is a bottom view thereof; and,

FIG. 6 is a perspective view thereof.

The broken lines shown in the figures illustrate environmental structure only, and form no part of the claimed design.

1 Claim, 3 Drawing Sheets



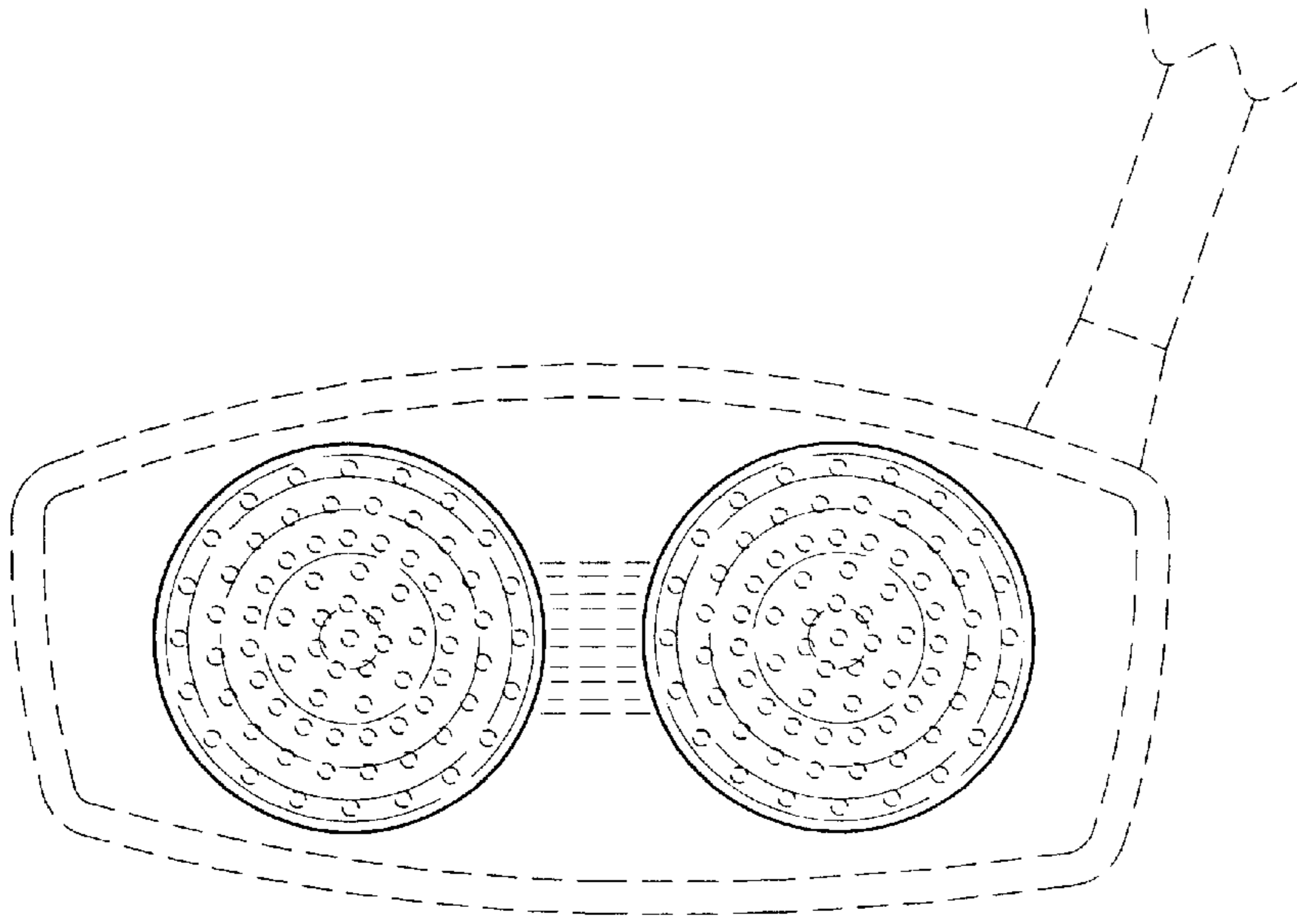


FIG. 1

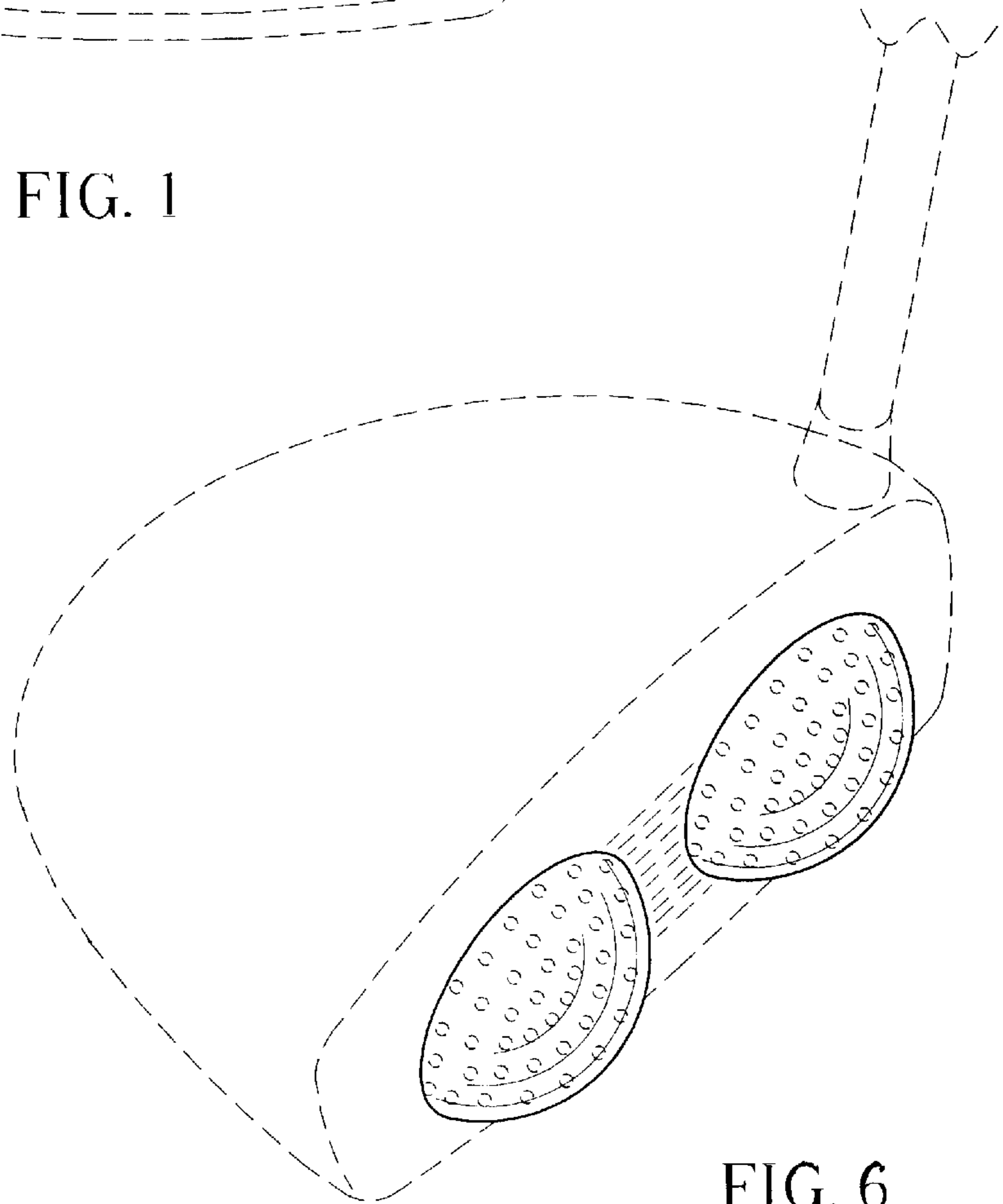


FIG. 6

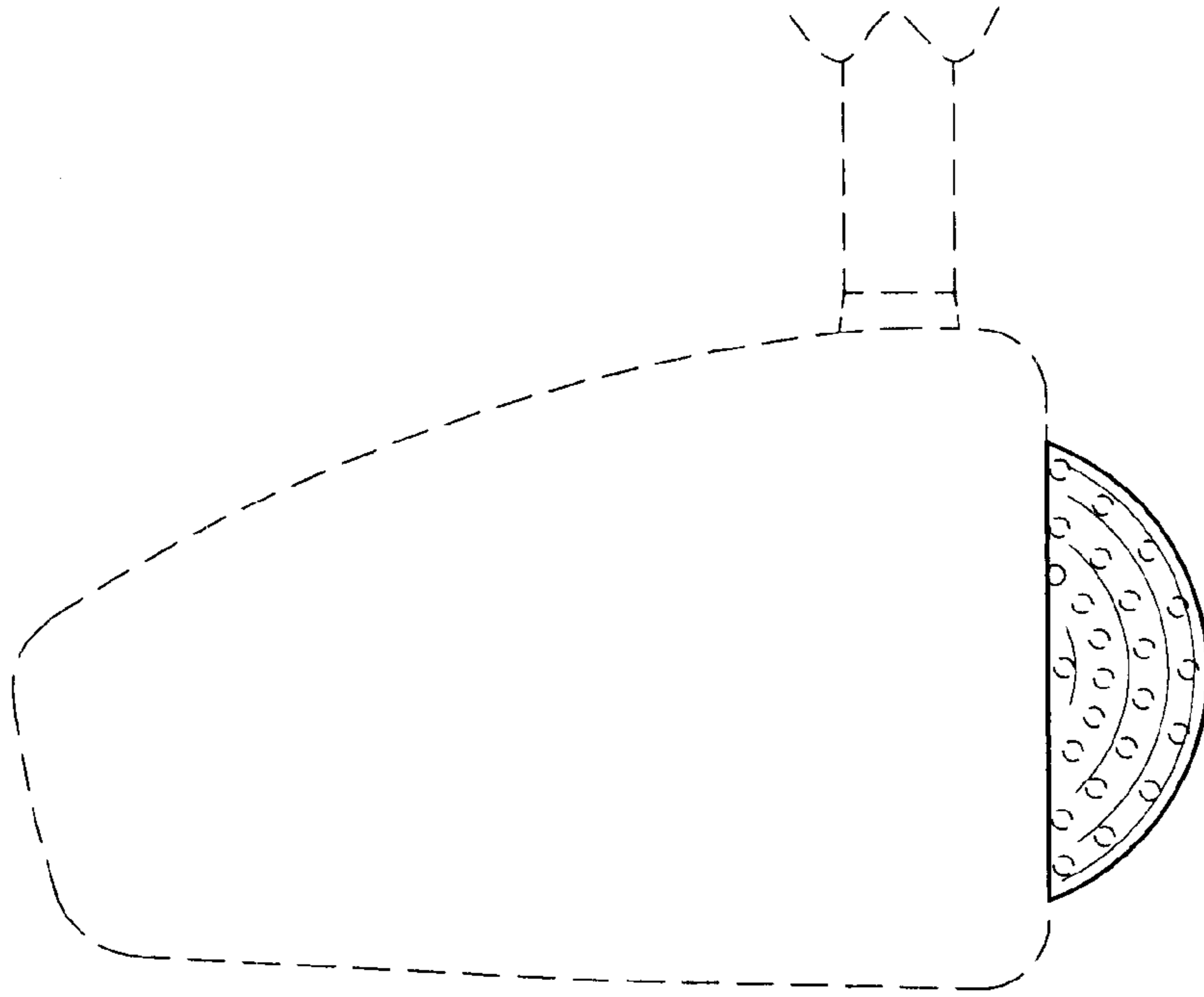


FIG. 2

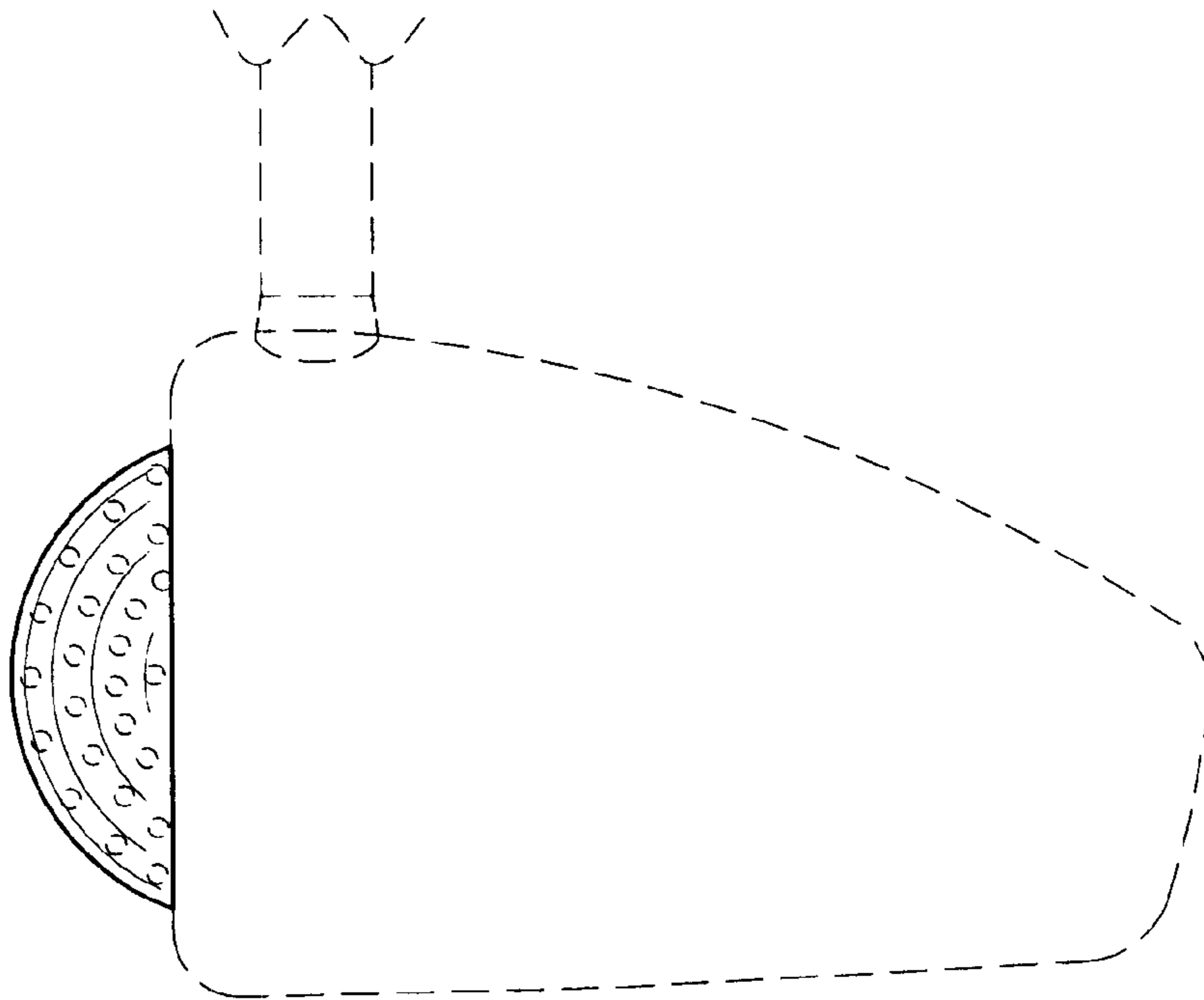


FIG. 3

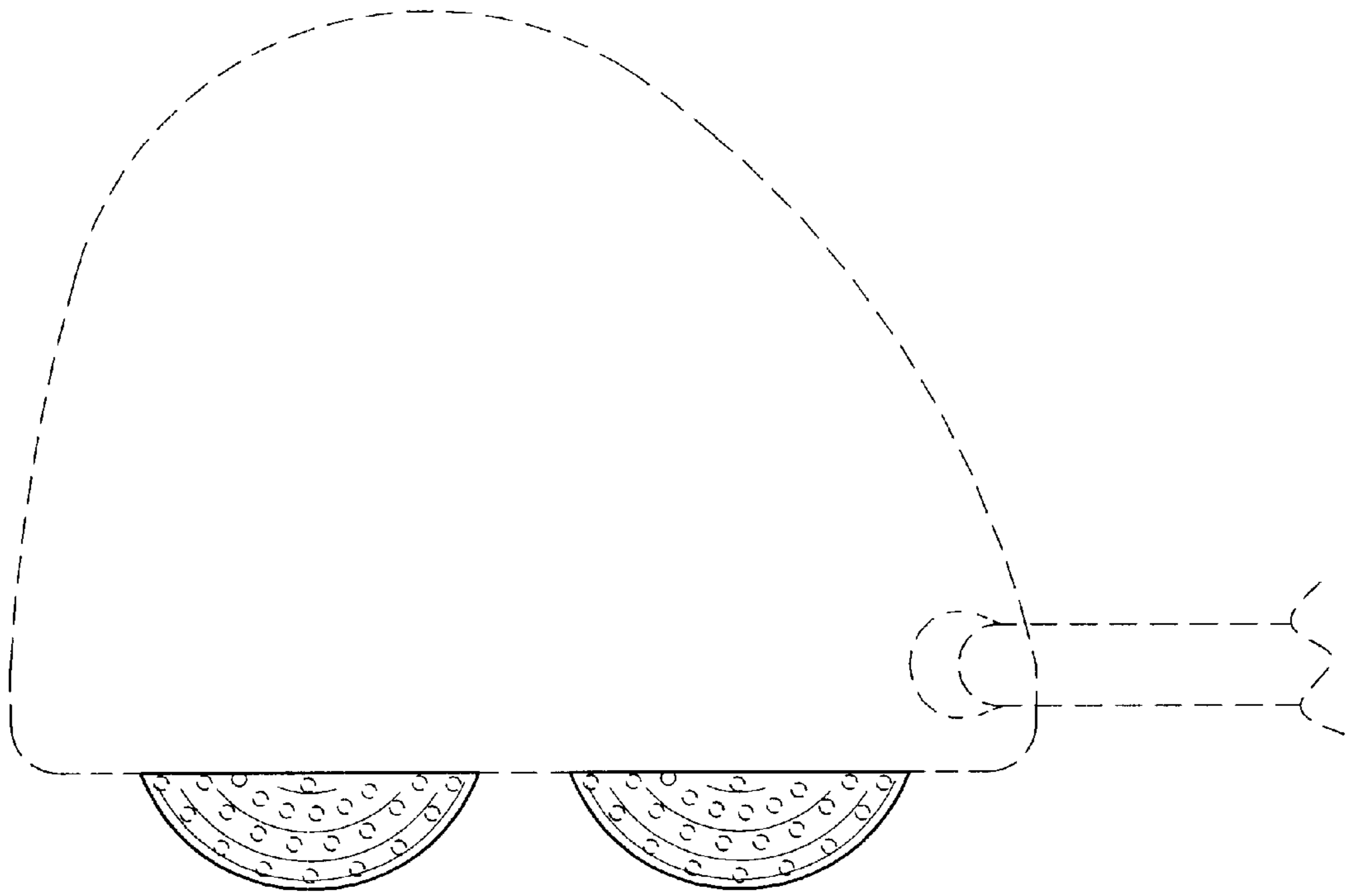


FIG. 4

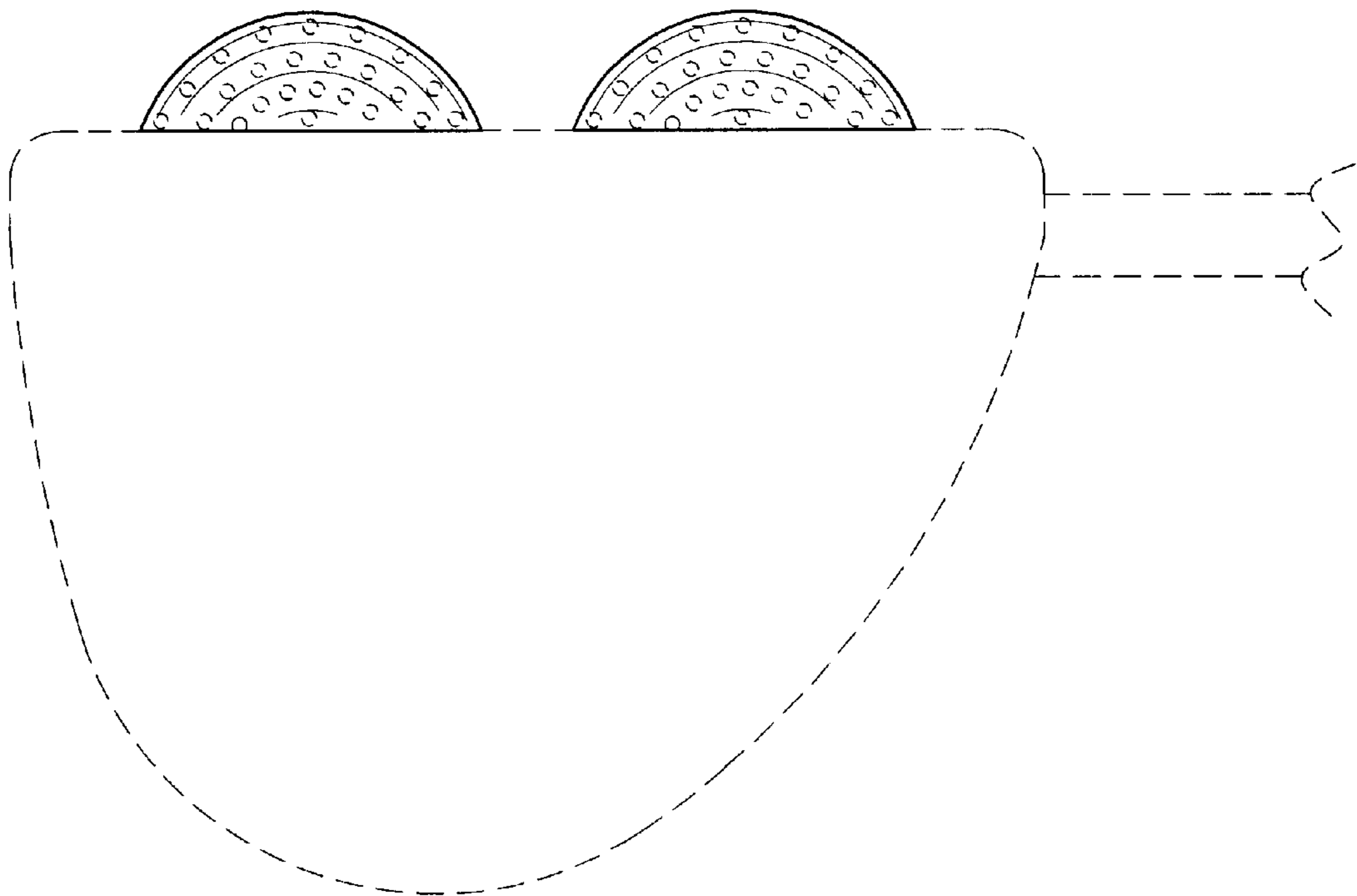


FIG. 5