



US00D486232S

(12) **United States Design Patent**
Peterson et al.

(10) **Patent No.: US D486,232 S**

(45) **Date of Patent: ** *Feb. 3, 2004**

(54) **HANDLE**

(75) Inventors: **Bart D Peterson**, W. Jordan, UT (US);
Glade Harold Howell, Sandy, UT
(US); **Simon Cohn**, No. Arlington, NJ
(US); **John R. Montgomery**, Stanford,
KY (US); **Paul Di Cesare**, Easton, CT
(US)

(73) Assignee: **Becton Dickinson and Company**,
Franklin Lakes, NJ (US)

(*) Notice: This patent is subject to a terminal dis-
claimer.

(**) Term: **14 Years**

(21) Appl. No.: **29/173,428**

(22) Filed: **Dec. 27, 2002**

(51) **LOC (7) Cl. 24-02**

(52) **U.S. Cl. D24/147; D24/133**

(58) **Field of Search D24/147, 146,**
D24/133; 606/167; 30/337, 339, 340, 329,
157, 332

(56) **References Cited**

U.S. PATENT DOCUMENTS

| | | | |
|-------------|---------|-----------------------|------------|
| 2,735,176 A | 2/1956 | Costin | 30/162 |
| 2,885,780 A | 5/1959 | Campbell | 30/164.9 |
| 2,968,489 A | 1/1961 | Doniger | 279/48 |
| 3,025,598 A | 3/1962 | Nissen | 30/162 |
| 3,657,812 A | 4/1972 | Lee | 30/162 |
| 3,793,726 A | 2/1974 | Schrank | 30/151 |
| 3,905,101 A | 9/1975 | Shepherd | 30/162 |
| 3,906,626 A | 9/1975 | Riuli | 30/162 |
| 4,091,537 A | 5/1978 | Stevenson, Jr. | 30/286 |
| 4,318,473 A | 3/1982 | Sandel | 206/370 |
| 4,375,218 A | 3/1983 | DiGeronimo | 128/313.17 |
| 4,414,974 A | 11/1983 | Dotson et al. | 128/305 |
| 4,491,132 A | 1/1985 | Aikins | 128/305 |
| 4,523,379 A | 6/1985 | Osterhout et al. | 30/151 |
| 4,576,164 A | 3/1986 | Richeson | 128/305 |
| 4,660,287 A | 4/1987 | Decker | 30/339 |

| | | | |
|-------------|----------|---------------------|---------|
| 4,663,846 A | 5/1987 | Tkayama | 30/162 |
| 4,735,202 A | 4/1988 | Williams | 128/305 |
| 4,798,000 A | * 1/1989 | Bedner et al. | 606/167 |
| 4,805,304 A | 2/1989 | Knoop | 30/162 |
| 4,823,457 A | 4/1989 | Prochaska | 29/509 |
| 4,844,070 A | 7/1989 | Dee | 128/305 |
| 4,884,569 A | 12/1989 | Fedorov et al. | 128/305 |
| 4,903,390 A | 2/1990 | Vidal et al. | 29/239 |
| 4,930,220 A | * 6/1990 | Loo | 30/339 |
| 4,949,458 A | 8/1990 | Davis et al. | 30/162 |
| 5,055,106 A | 10/1991 | Lundgren | 606/167 |
| 5,071,418 A | 12/1991 | Rosenbaum | 606/42 |
| 5,071,426 A | 12/1991 | Dolgin et al. | 606/167 |
| D327,125 S | 6/1992 | Iten | D24/147 |
| 5,141,517 A | 8/1992 | Shutt | 606/167 |
| D330,082 S | 10/1992 | Schutte et al. | D24/147 |
| 5,197,953 A | 3/1993 | Colonna | 604/110 |
| 5,201,748 A | 4/1993 | Newman et al. | 606/167 |

(List continued on next page.)

FOREIGN PATENT DOCUMENTS

| | | |
|----|--------------|--------|
| DE | 3722899 A1 | 1/1989 |
| EP | 583 992 A1 | 2/1994 |
| EP | 0 727 186 A2 | 8/1996 |
| EP | 793 943 A1 | 9/1997 |
| WO | WO 97/34535 | 9/1997 |

Primary Examiner—Ian Simmons

(74) *Attorney, Agent, or Firm*—James J. Murtha

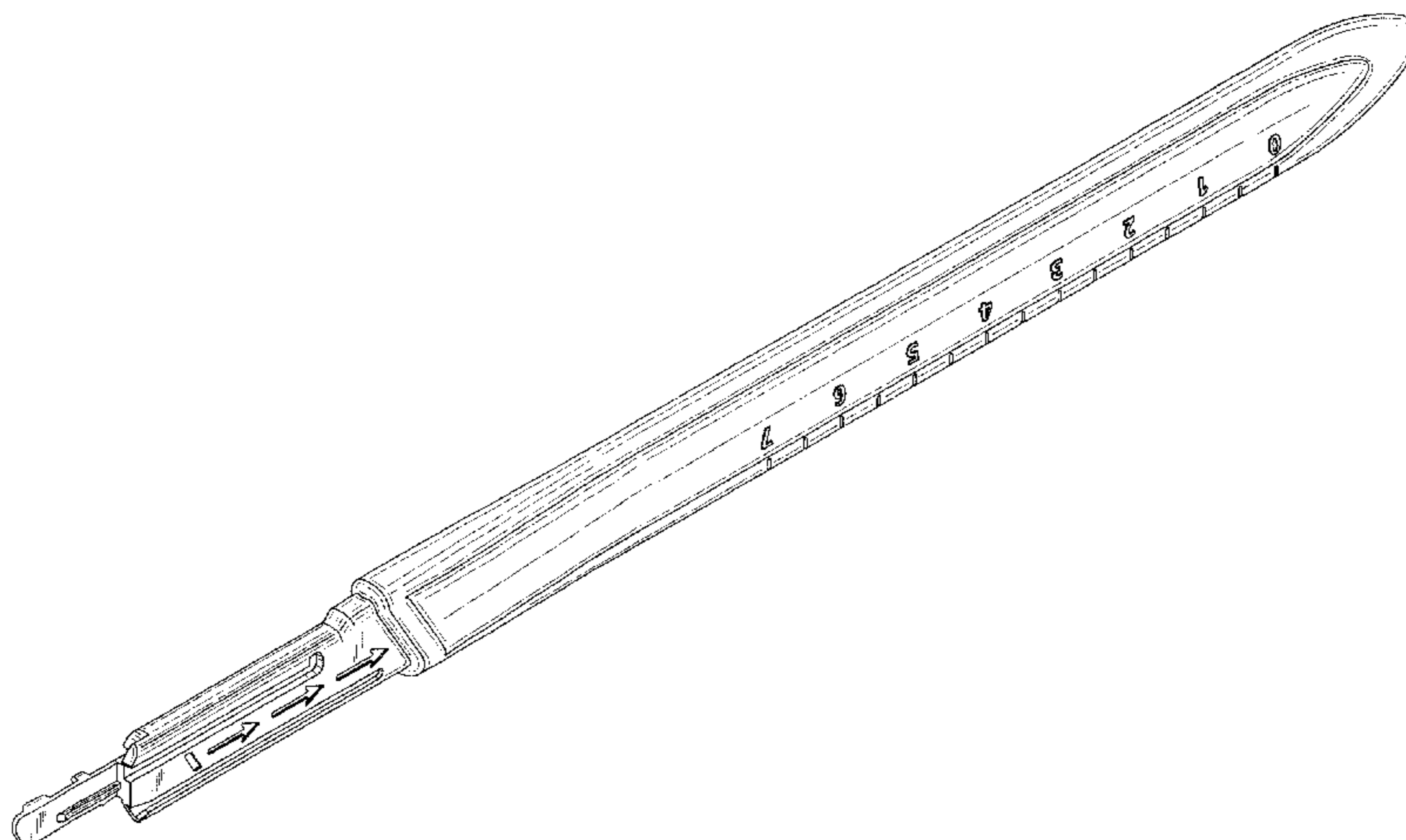
(57) **CLAIM**

We claim the ornamental design for a handle, as shown.

DESCRIPTION

FIG. 1 is a perspective view of the handle from the left proximal end of the handle;
FIG. 2 is a top view of the handle of FIG. 1;
FIG. 3 is a left elevation view of the handle of the handle of FIG. 1;
FIG. 4 is a right elevation view of the handle of FIG. 1;
FIG. 5 is a bottom elevation view of the handle of FIG. 1;
FIG. 6 is a front elevation view of the handle of FIG. 1; and,
FIG. 7 is a rear elevation view of the handle of FIG. 1.

1 Claim, 4 Drawing Sheets



US D486,232 S

Page 2

U.S. PATENT DOCUMENTS

| | | | | | | | |
|-------------|---------|-----------------------------------|---------|-------------------|---------|---------------------|---------|
| 5,207,696 A | 5/1993 | Matwijcow | 606/167 | 5,496,340 A | 3/1996 | Abidin et al. | 606/167 |
| 5,250,063 A | 10/1993 | Abidin et al. | 606/167 | 5,571,127 A | 11/1996 | DeCampli | 606/167 |
| 5,250,064 A | 10/1993 | Schneider | 606/167 | 5,591,189 A | 1/1997 | Yoon | 606/185 |
| 5,275,606 A | 1/1994 | Abidin | 606/167 | 5,620,454 A | 4/1997 | Pierce et al. | 606/167 |
| 5,292,310 A | 3/1994 | Yoon | 604/158 | 5,662,669 A | 9/1997 | Abidin et al. | 606/167 |
| 5,299,357 A | 4/1994 | Wonderly et al. | 30/339 | 5,674,203 A | 10/1997 | Lewandowski | 604/197 |
| 5,309,641 A | 5/1994 | Wonderly et al. | 30/339 | 5,683,407 A | 11/1997 | Jolly et al. | 606/181 |
| 5,312,429 A | 5/1994 | Noack | 606/167 | 5,741,289 A | 4/1998 | Jolly et al. | 606/181 |
| 5,330,492 A | 7/1994 | Haugen | 606/167 | 5,752,968 A | 5/1998 | Jolly et al. | 606/167 |
| 5,330,494 A | 7/1994 | Van der Westhuizen et al. | 606/167 | 5,792,162 A | 8/1998 | Jolly et al. | 606/167 |
| 5,342,379 A | 8/1994 | Volinsky | 606/167 | 5,827,309 A | 10/1998 | Jolly et al. | 606/167 |
| 5,344,424 A | 9/1994 | Roberts et al. | 606/167 | 5,868,771 A | 2/1999 | Herbert et al. | 606/167 |
| 5,363,958 A | 11/1994 | Horan | 206/356 | 5,908,432 A | 6/1999 | Pan | 606/167 |
| 5,370,654 A | 12/1994 | Abidin et al. | 606/182 | 5,938,676 A | 8/1999 | Cohn et al. | 606/167 |
| 5,411,512 A | 5/1995 | Abidin et al. | 606/167 | 5,957,944 A | 9/1999 | Khuri et al. | 606/170 |
| 5,417,704 A | 5/1995 | Wonderly | 606/167 | 6,053,929 A * | 4/2000 | Cohn et al. | 606/167 |
| 5,431,672 A | 7/1995 | Cote et al. | 606/167 | D470,938 S * | 2/2003 | Howell et al. | D24/147 |
| 5,449,068 A | 9/1995 | Gharibian | 206/355 | D475,135 S * | 5/2003 | Howell et al. | D24/147 |
| 5,481,804 A | 1/1996 | Platts | 30/162 | 2002/0143352 A1 * | 10/2002 | Newman et al. | 606/167 |

* cited by examiner

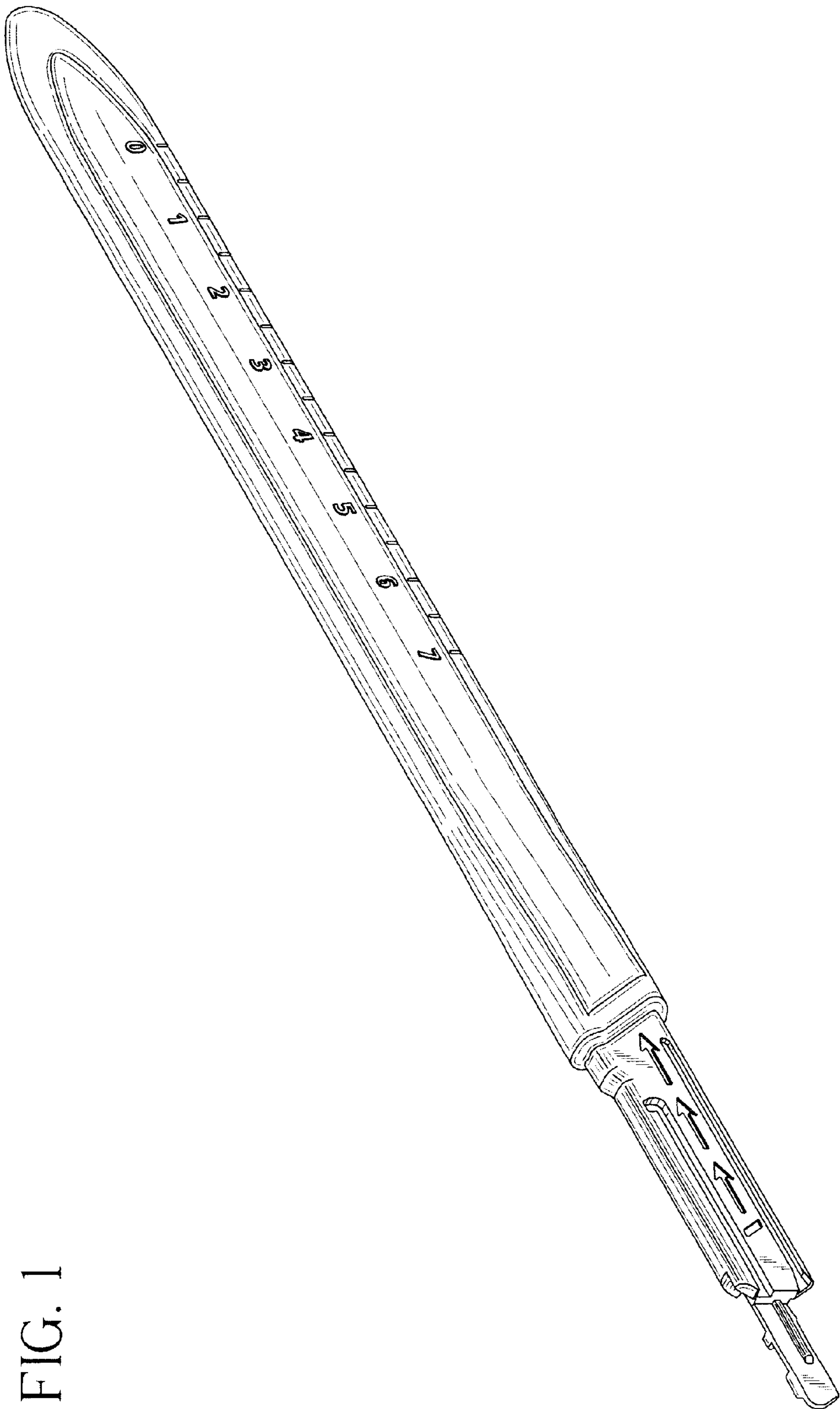


FIG. 1

FIG. 2

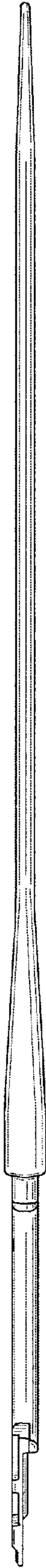


FIG. 3

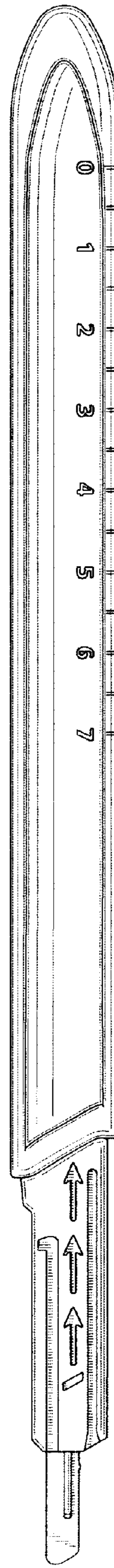


FIG. 4

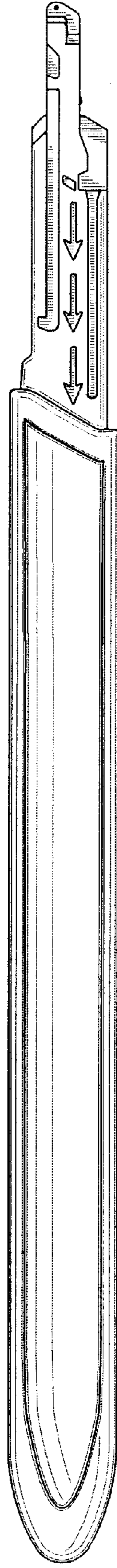


FIG. 5



FIG. 7



FIG. 6

