



US00D486226S

(12) **United States Design Patent**  
**Guney et al.**

(10) **Patent No.:** **US D486,226 S**  
(45) **Date of Patent:** **\*\* Feb. 3, 2004**

(54) **MASK ASSEMBLY**

(75) Inventors: **Memduh Guney**, Killara (AU);  
**Timothy Tsun-Fai Fu**, Carlingford  
(AU); **Perry D. Lithgow**, Glenwood  
(AU); **Amal S. Amarasinghe**, West  
Pennant Hills (AU); **Joanne E. Drew**,  
Balgowlah Heights (AU); **Jim Saada**,  
Kellyville (AU); **Borivoje Ljubojevic**,  
Ryde (AU); **Anthony Ging**, Summer  
Hill (AU); **Susan R. Lynch**, Epplng  
(AU); **Gary C. Robinson**, East Killara  
(AU); **Robert H. Frater**, Lindfield  
(AU)

(73) Assignee: **Resmed Limited**, North Ryde (AU)

(\*\*) Term: **14 Years**

(21) Appl. No.: **29/170,552**

(22) Filed: **Nov. 8, 2002**

(51) **LOC (7) Cl.** ..... **29-02**

(52) **U.S. Cl.** ..... **D24/110.1; D24/110.4;**  
**D24/110.5**

(58) **Field of Search** ..... **D24/110.1, 110.4,**  
**D24/110.5; 128/206.27, 207.11, 207.13,**  
**205.25, 206.26, 207.17**

(56) **References Cited**

**U.S. PATENT DOCUMENTS**

D322,318 S 12/1991 Sullivan

5,074,297 A	12/1991	Venegas	
D402,755 S	12/1998	Kwok	
6,112,746 A	9/2000	Kwok et al.	
D439,326 S	* 3/2001	Hecker et al.	..... D24/110.5
D443,355 S	6/2001	Gunaratnam et al.	
D457,622 S	5/2002	Kopacko et al.	
D468,823 S	* 1/2003	Smart	..... D24/110.1
D476,732 S	* 7/2003	Smart	..... D24/110.4
2002/0096176 A1	* 7/2002	Gunaratnam et al.	.. 128/207.11
2003/0062048 A1	* 4/2003	Gradon et al.	..... 128/207.11
2003/0089373 A1	* 5/2003	Gradon et al.	..... 128/206.27

\* cited by examiner

*Primary Examiner*—Ian Simmons

(74) *Attorney, Agent, or Firm*—Nixon & Vanderhye P.C.

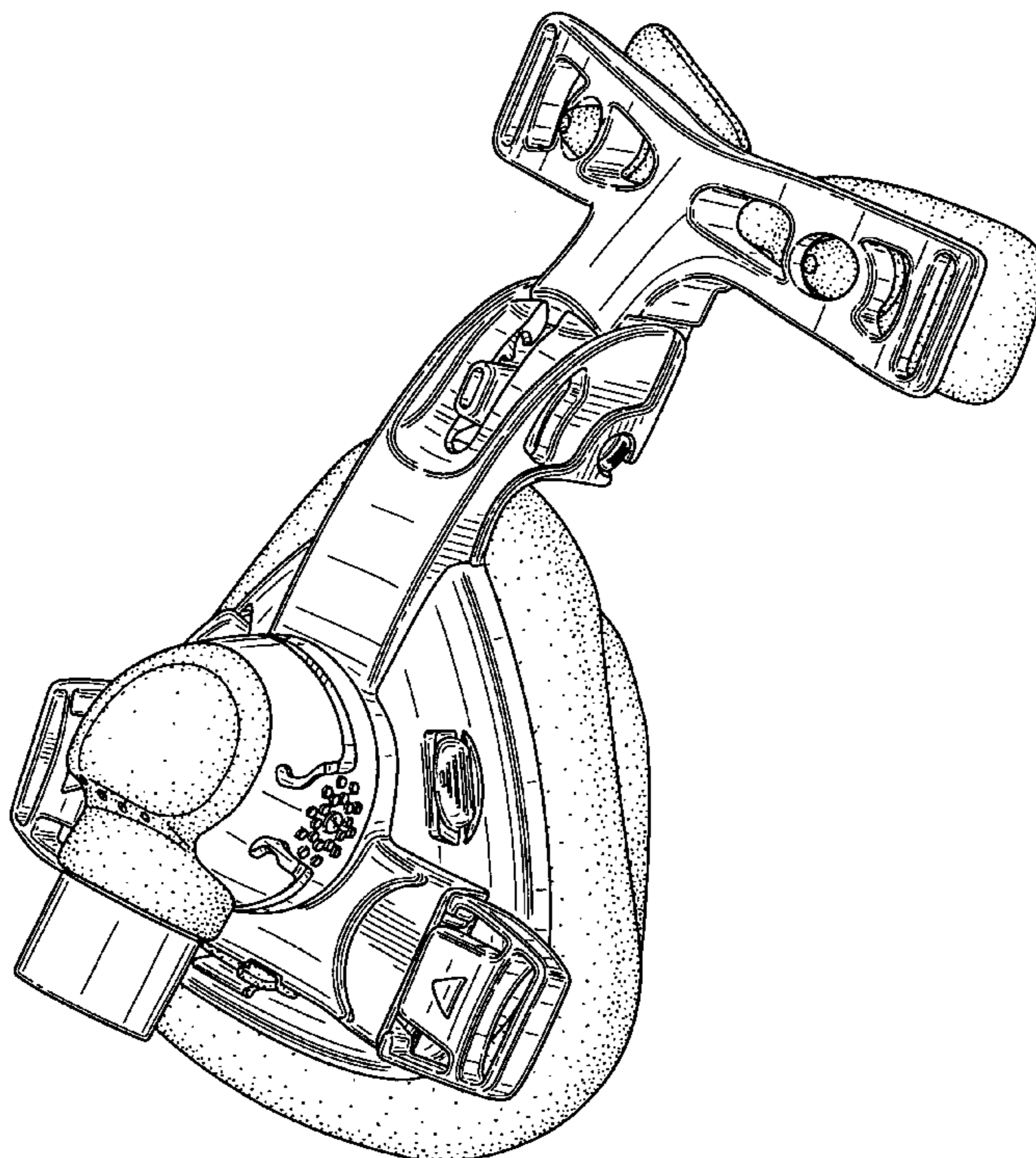
(57) **CLAIM**

The ornamental appearance for a mask assembly, as shown and described.

**DESCRIPTION**

FIG. 1 is a front perspective view of a mask assembly according to our design;  
FIG. 2 is a rear perspective view thereof;  
FIG. 3 is a front view thereof;  
FIG. 4 is a rear view thereof;  
FIG. 5 is a left side view thereof, with the right side view being a mirror image thereof;  
FIG. 6 is a top view thereof; and,  
FIG. 7 is a bottom view thereof.

**1 Claim, 7 Drawing Sheets**



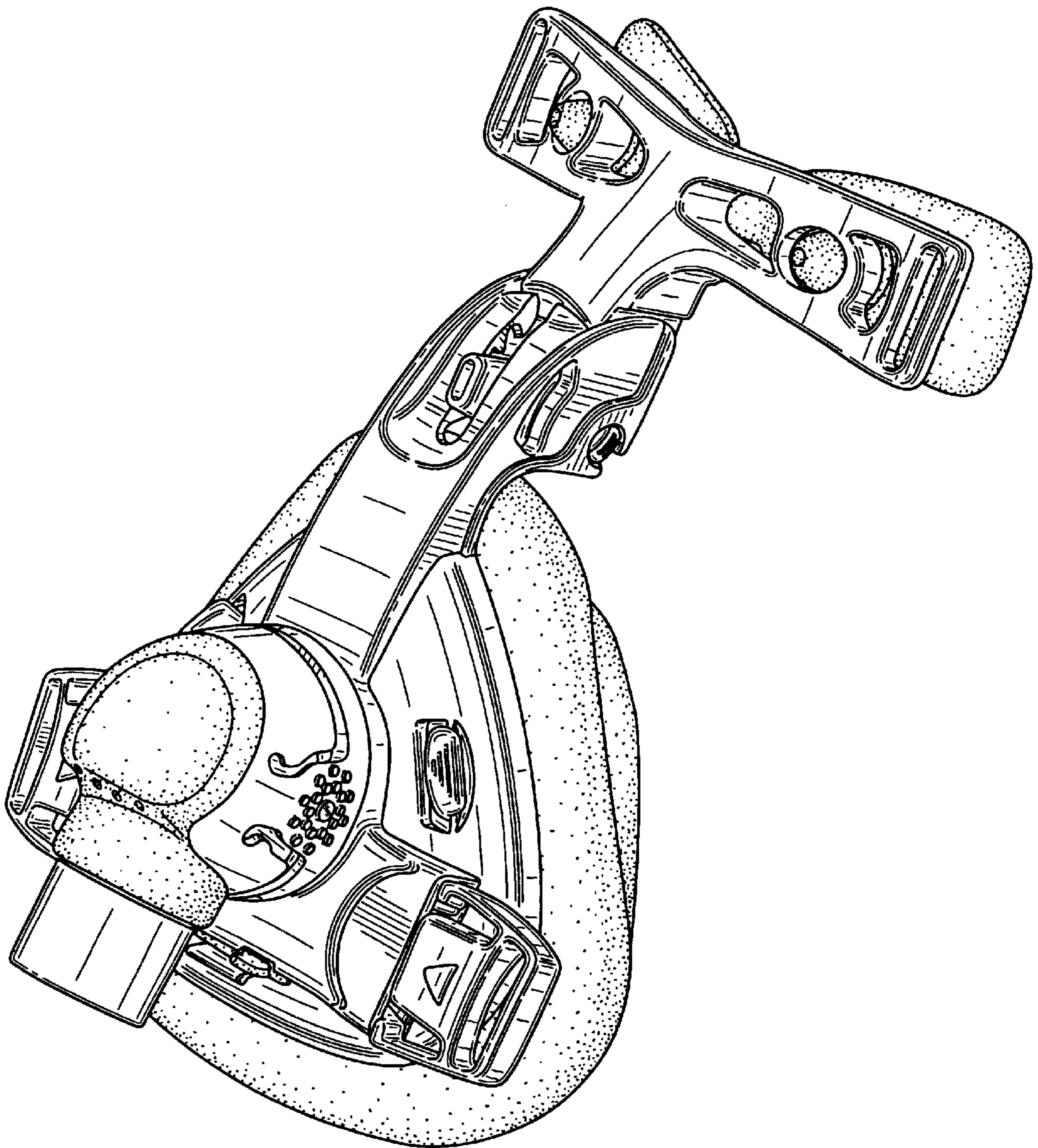


FIG. 1

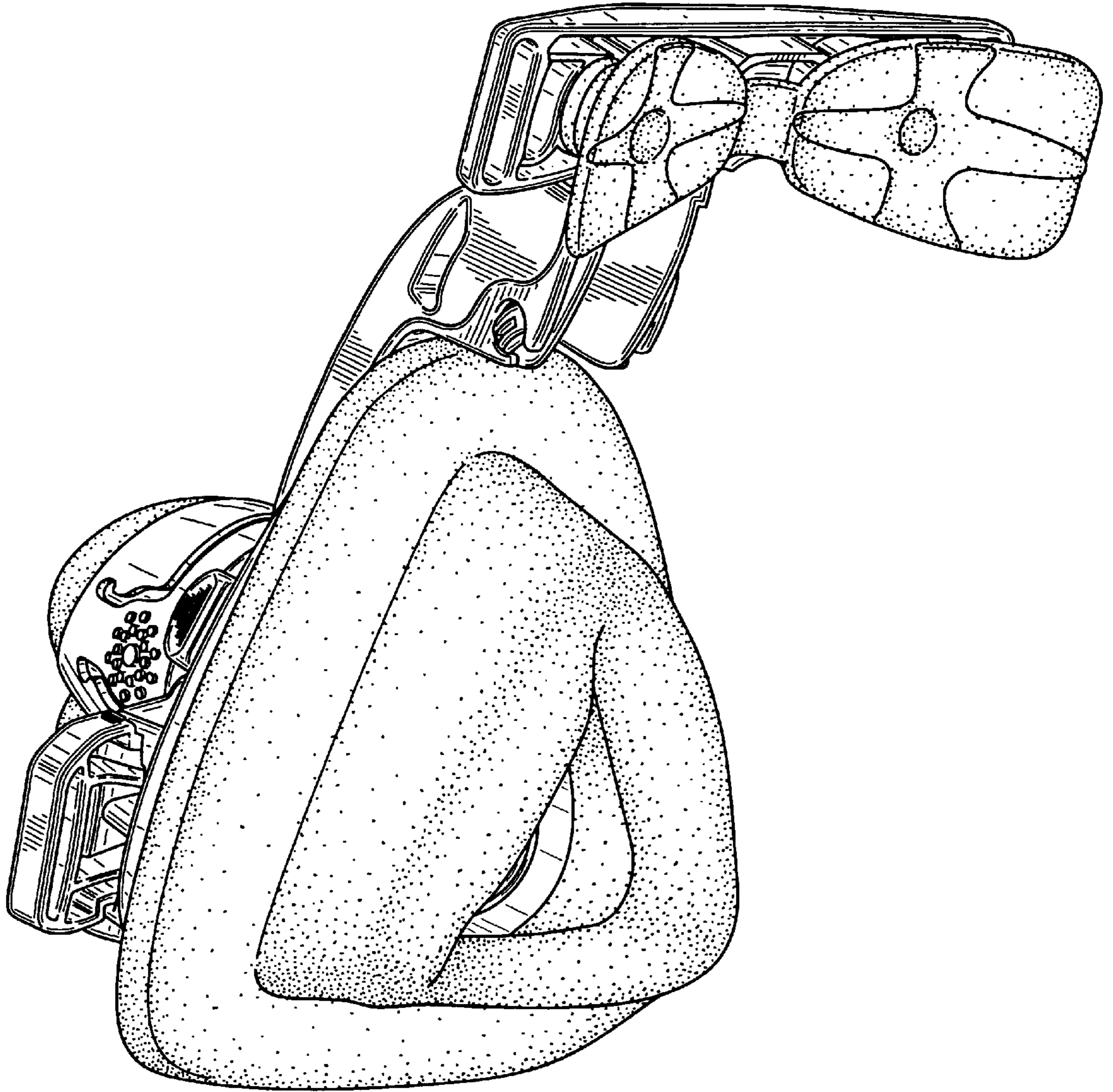


FIG. 2

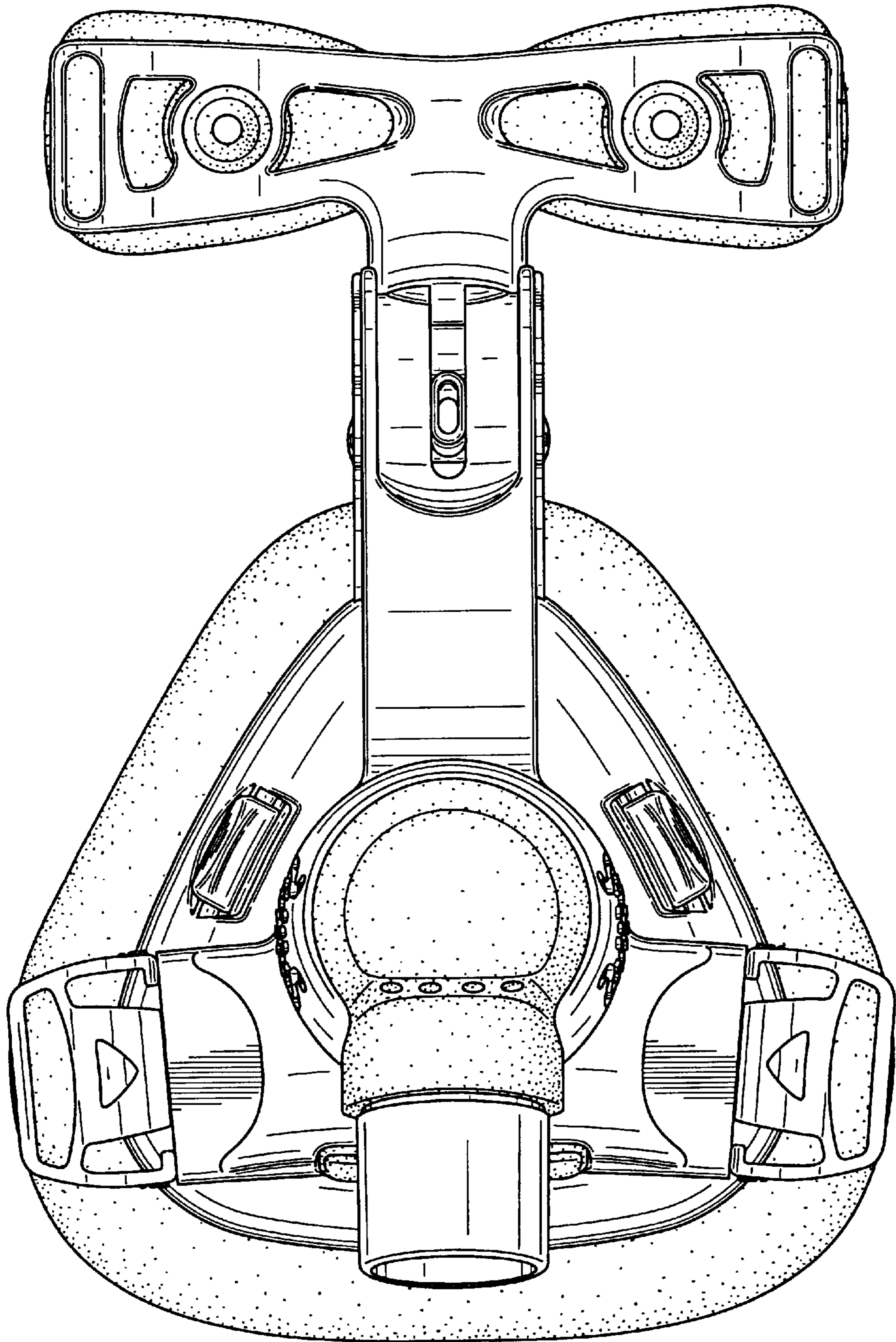


FIG. 3

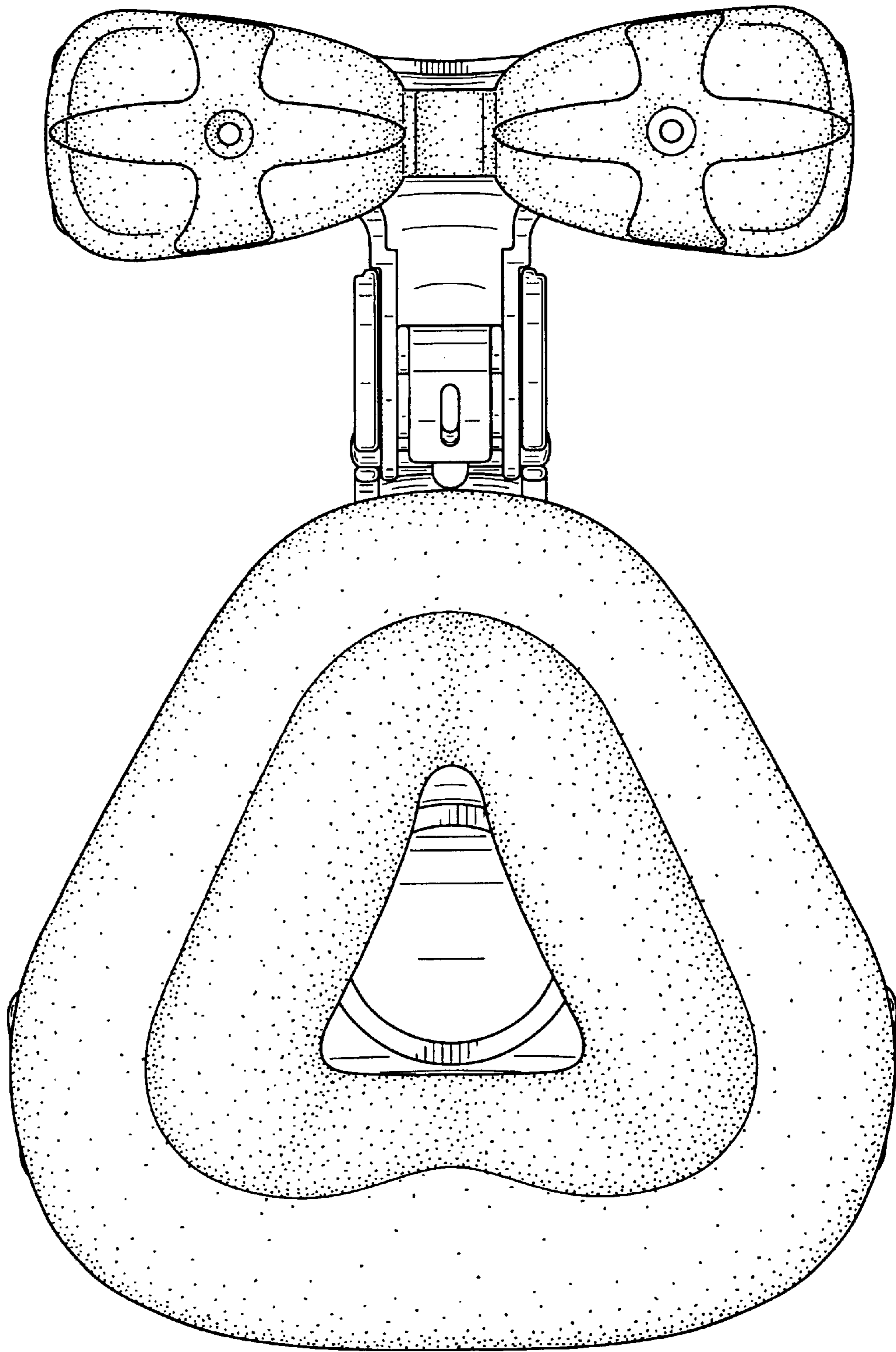


FIG. 4

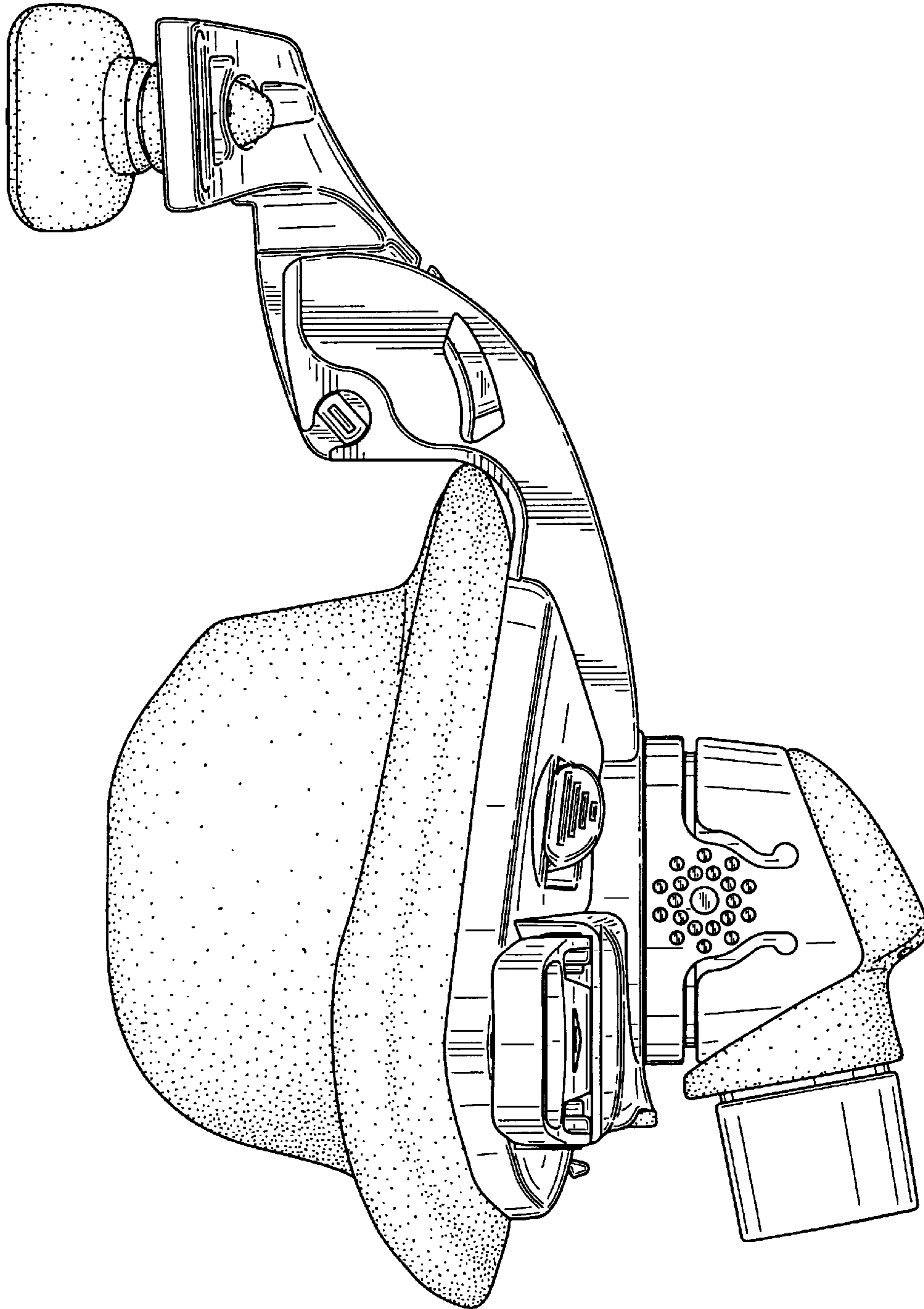


FIG. 5

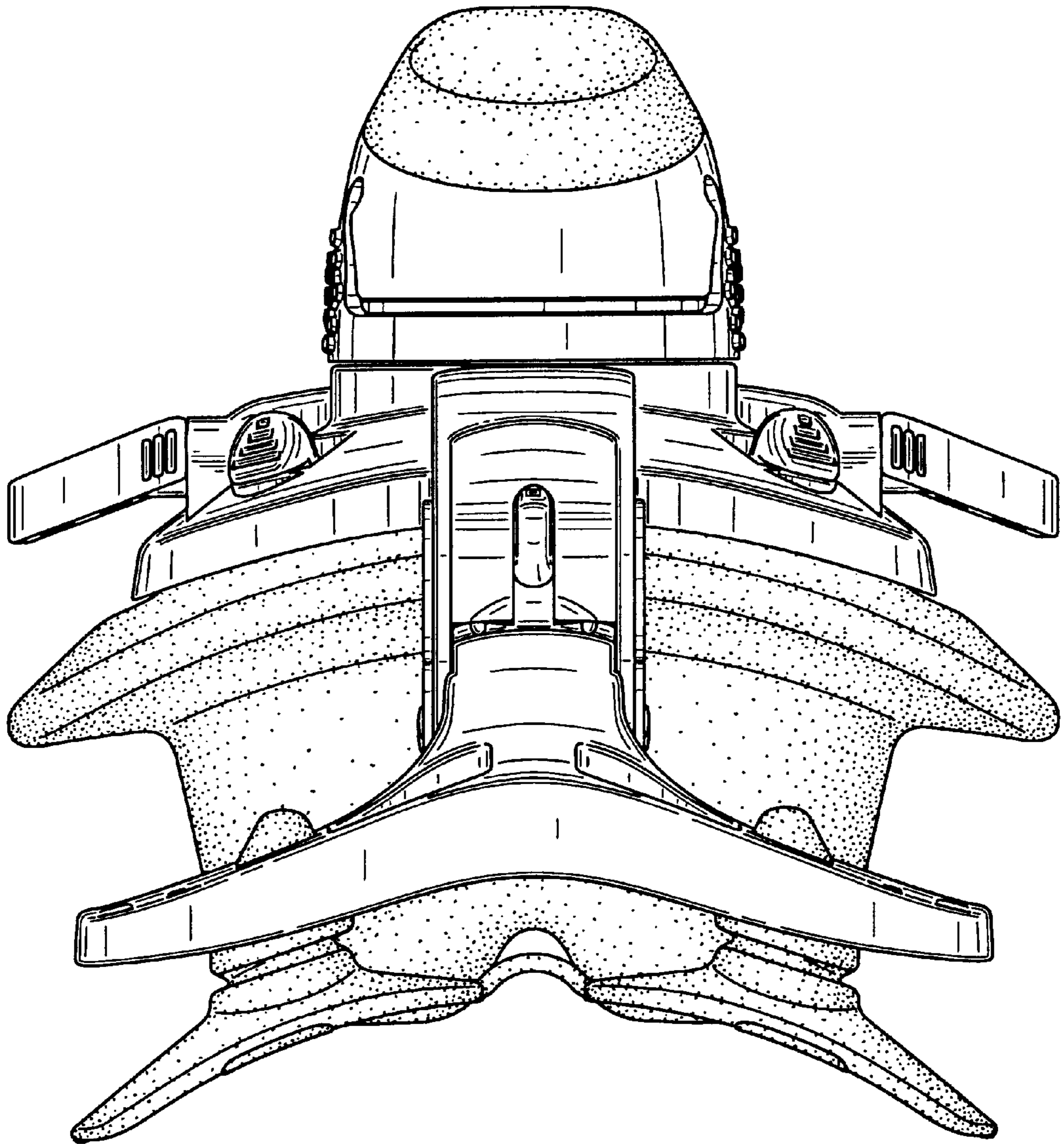


FIG. 6

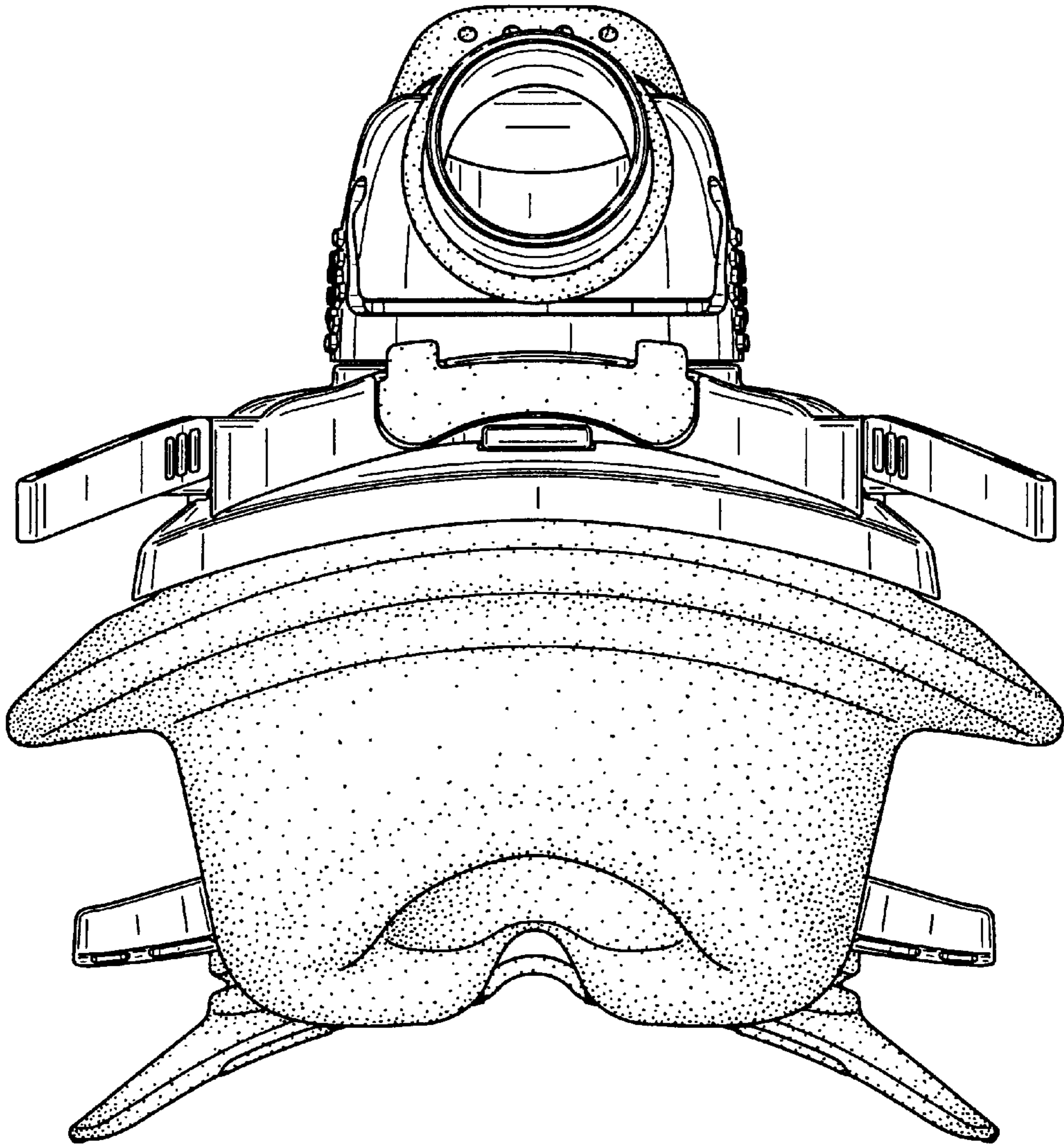


FIG. 7