



US00D486225S

(12) **United States Design Patent**
Gay, III

(10) **Patent No.:** **US D486,225 S**

(45) **Date of Patent:** **** Feb. 3, 2004**

(54) **BREAST PUMP ADAPTER**

(75) **Inventor:** **Randolph G. Gay, III**, Chesapeake, VA (US)

(73) **Assignee:** **PBM Plastics, Inc.**, Newport News, VA (US)

(**) **Term:** **14 Years**

(21) **Appl. No.:** **29/171,416**

(22) **Filed:** **Nov. 22, 2002**

(51) **LOC (7) Cl.** **24-02**

(52) **U.S. Cl.** **D24/109; D24/129**

(58) **Field of Search** D24/109, 197, D24/129, 108; 604/74, 75, 76; 215/11.1, 11.2, 11.3, 11.4, 11.5, 11.6

(56) **References Cited**

U.S. PATENT DOCUMENTS

2,102,702 A	12/1937	Hall	229/63
2,682,903 A	7/1954	Gay	150/3
3,002,240 A	10/1961	Laguerre	24/30.5
3,308,936 A	3/1967	Roland et al.	206/46
4,098,419 A	7/1978	Virog, Jr. et al.	215/252
4,299,330 A	11/1981	Walter	220/288
4,501,585 A	2/1985	Friedman	604/346
D299,537 S	1/1989	Morifuji	D24/109
4,850,496 A	7/1989	Rudell et al.	215/12.1
4,950,236 A *	8/1990	Wilson	604/74
5,307,946 A	5/1994	Molinaro	215/329
D348,513 S	7/1994	Bale	D24/109
5,588,548 A	12/1996	Brankley	215/388
D382,970 S	8/1997	Agopian	D24/199
5,791,503 A	8/1998	Lyons	215/11.5

6,006,930 A	12/1999	Dreyer et al.	215/44
6,050,432 A	4/2000	Koehnke	215/11.3
6,415,937 B1	7/2002	DeJong et al.	215/386
2001/0017948 A1	8/2001	Gross et al.	383/80
2002/0156419 A1 *	10/2002	Silver et al.	604/74

* cited by examiner

Primary Examiner—Ian Simmons

(74) *Attorney, Agent, or Firm*—Nixon & Vanderhye P.C.

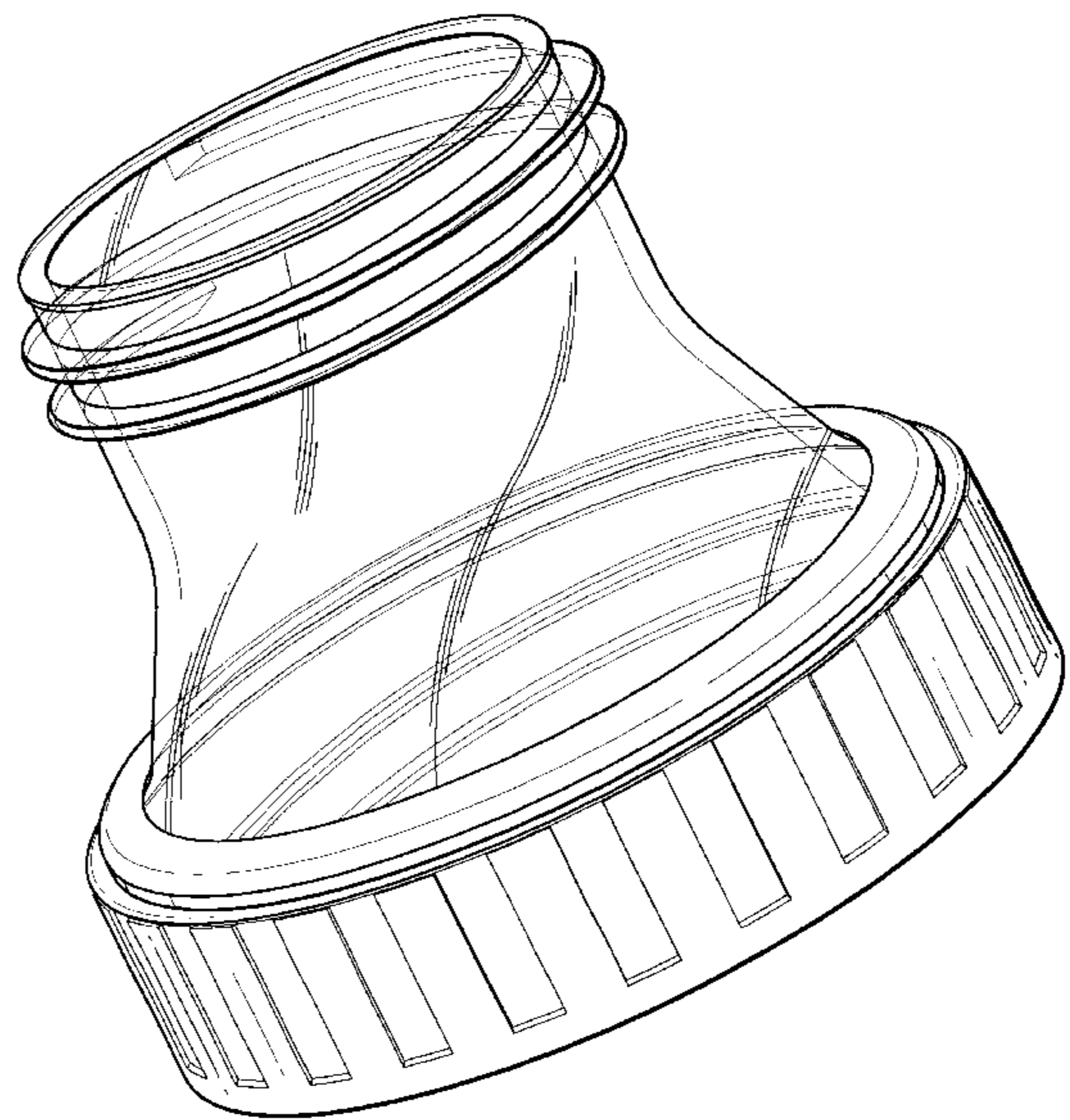
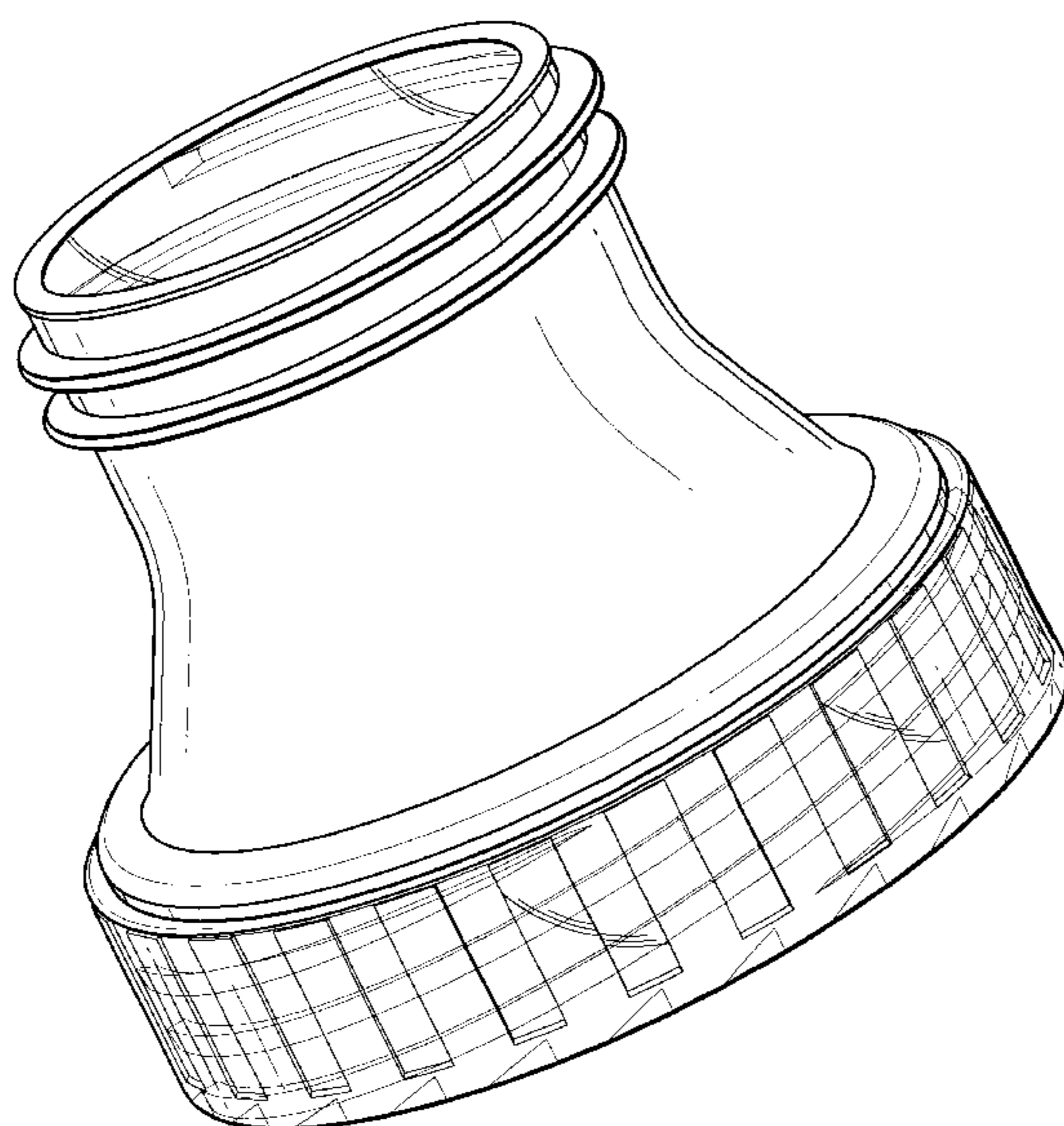
(57) **CLAIM**

The ornamental design for a “breast pump adapter”, as shown and described.

DESCRIPTION

FIG. 1 is a perspective view of one embodiment of a breast pump adapter which embodies my new and original design therefor having an overall translucent appearance; FIGS. 2 and 3 are front and rear elevational views thereof, respectively; FIGS. 4 and 5 are right and left side elevational views thereof, respectively. FIG. 6 is a top plan view thereof; FIG. 7 is bottom plan view thereof; FIG. 8 is a perspective view of another embodiment of a breast pump adapter embodying my new and original design therefor having a base ring which is opaque in appearance and a transition portion which is transparent in appearance, FIGS. 9 and 10 are front and rear elevational views thereof, respectively; FIGS. 11 and 12 are right and left side elevational views thereof, respectively. FIG. 13 is a top plan view thereof; and, FIG. 14 is bottom plan view thereof.

1 Claim, 8 Drawing Sheets



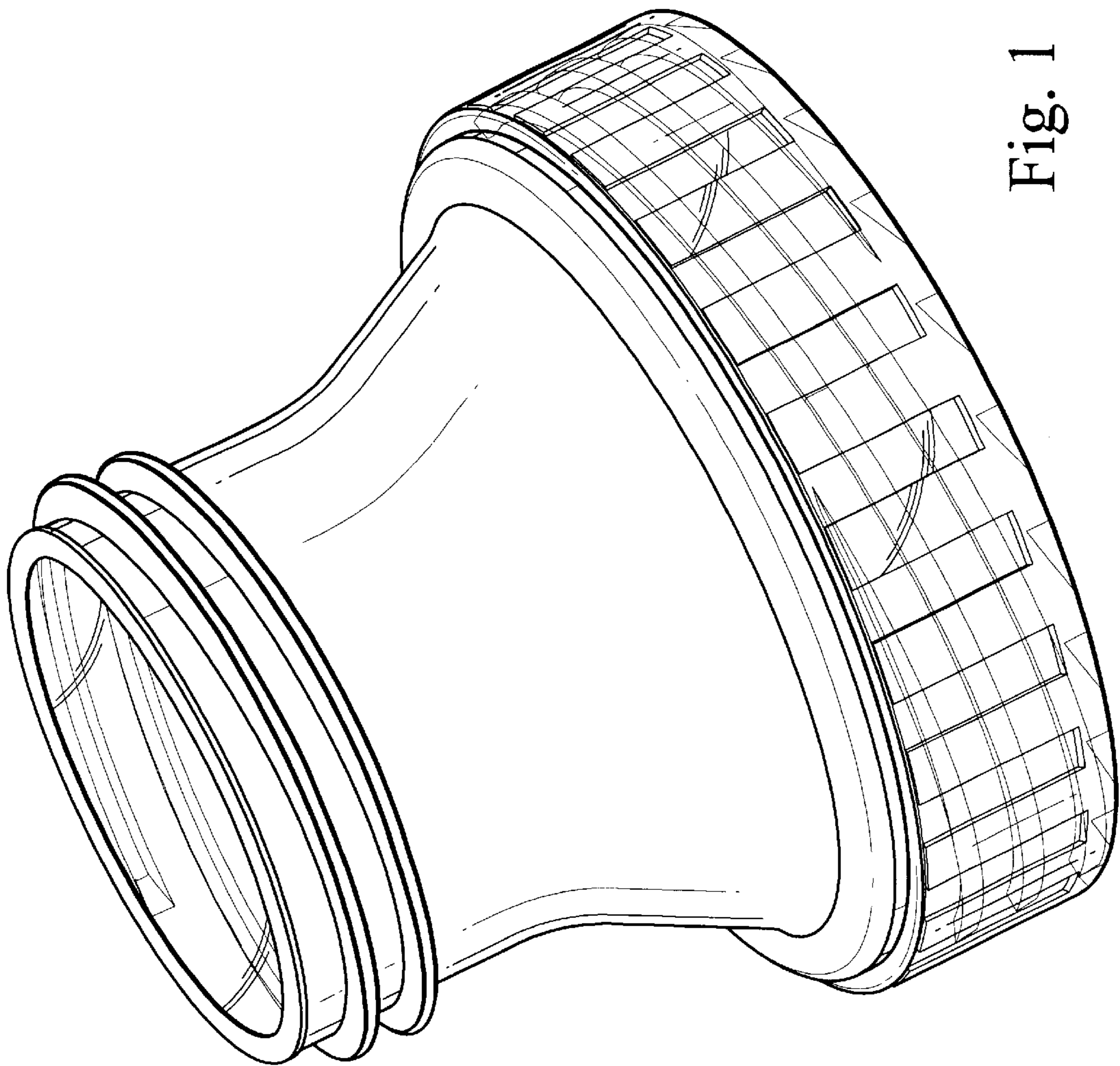


Fig. 1

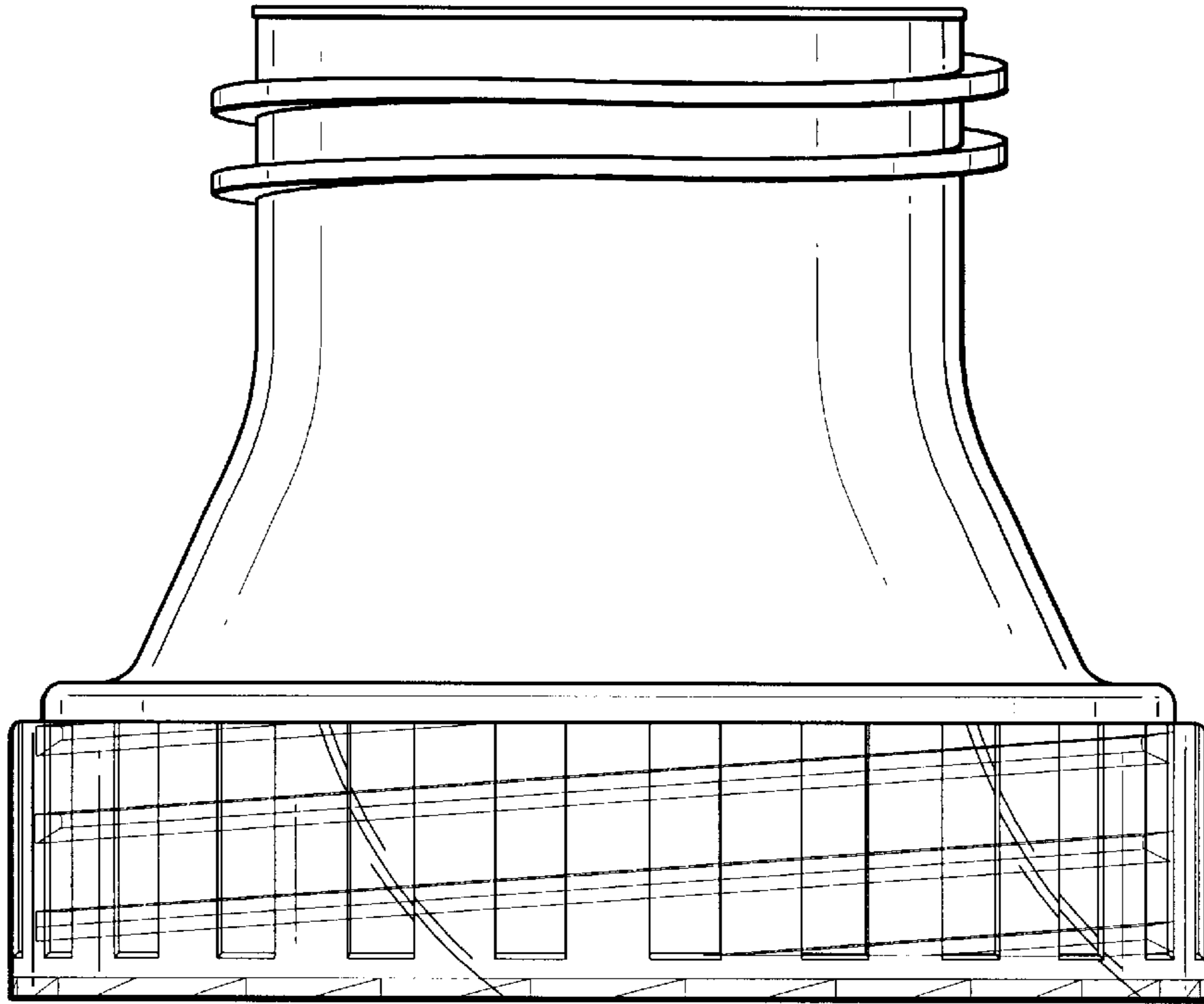


Fig. 2

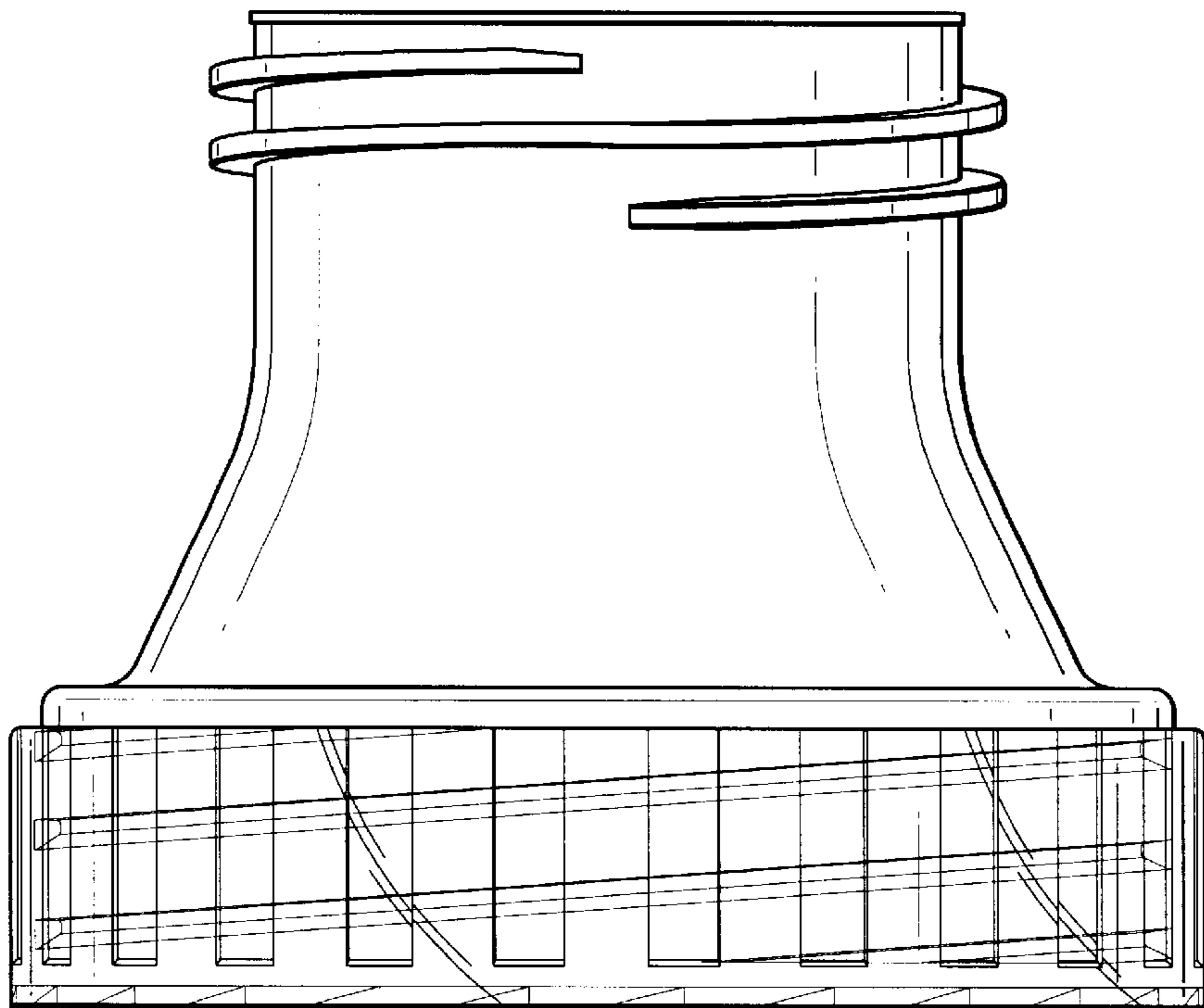


Fig. 3

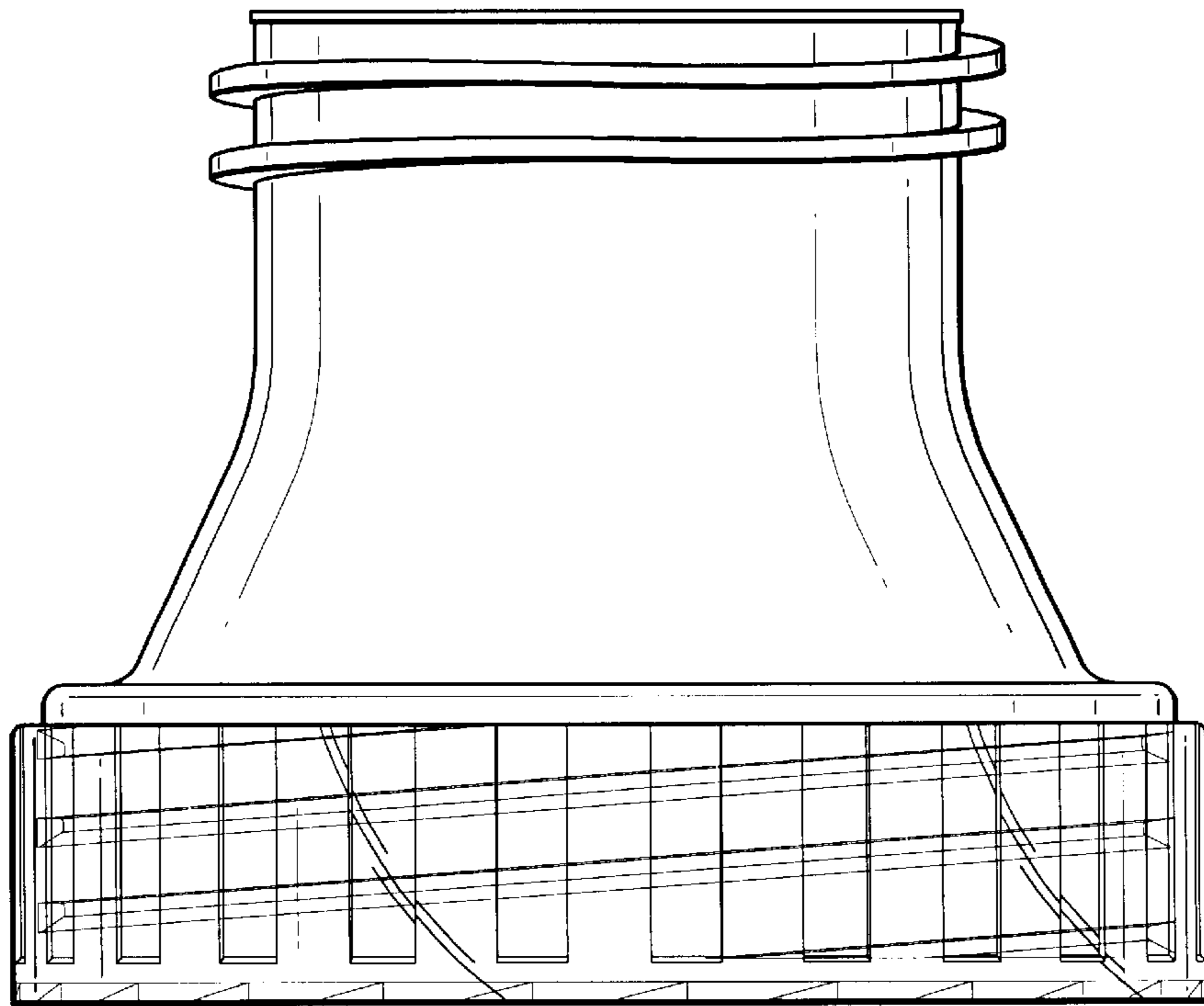


Fig. 4

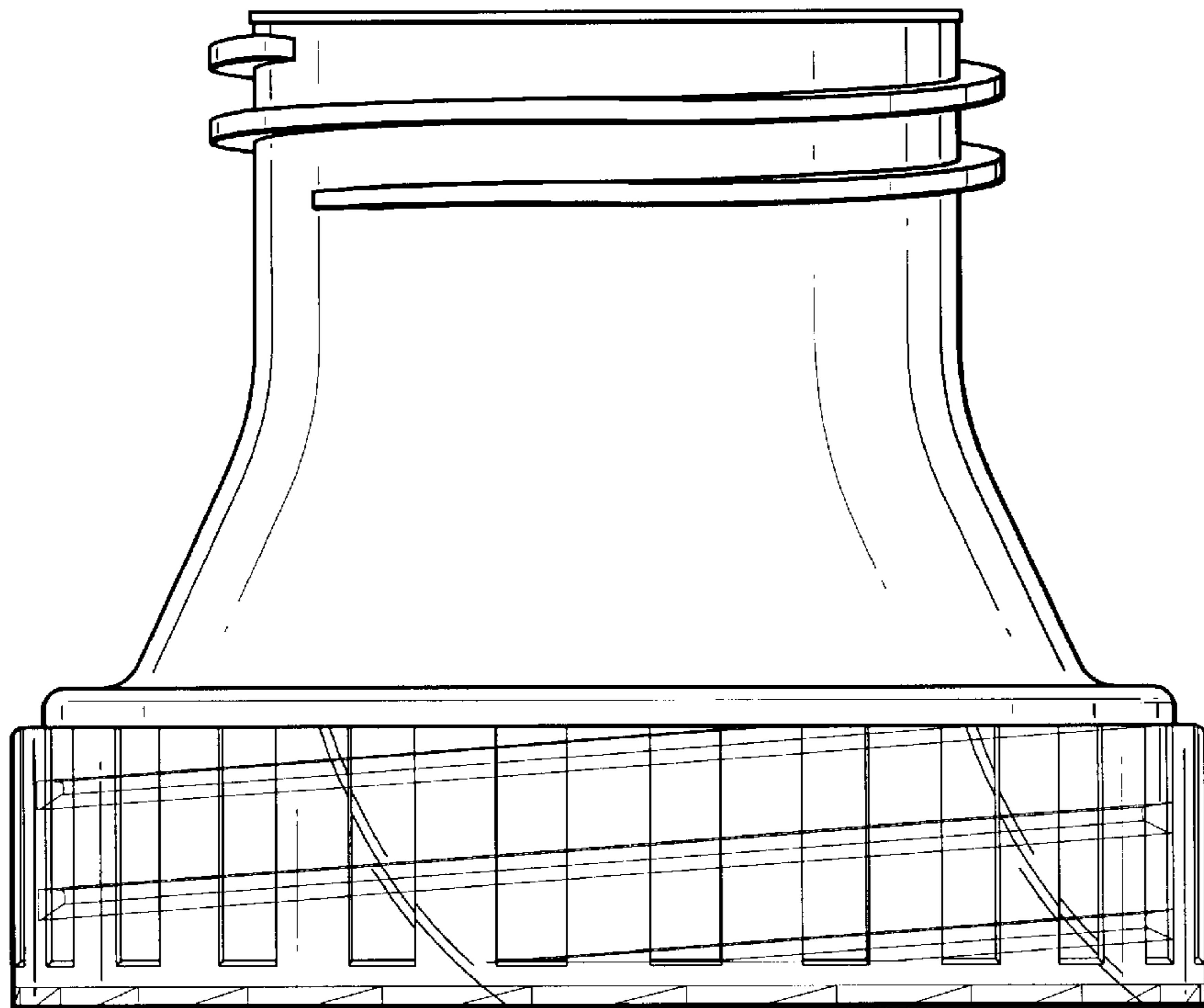


Fig. 5

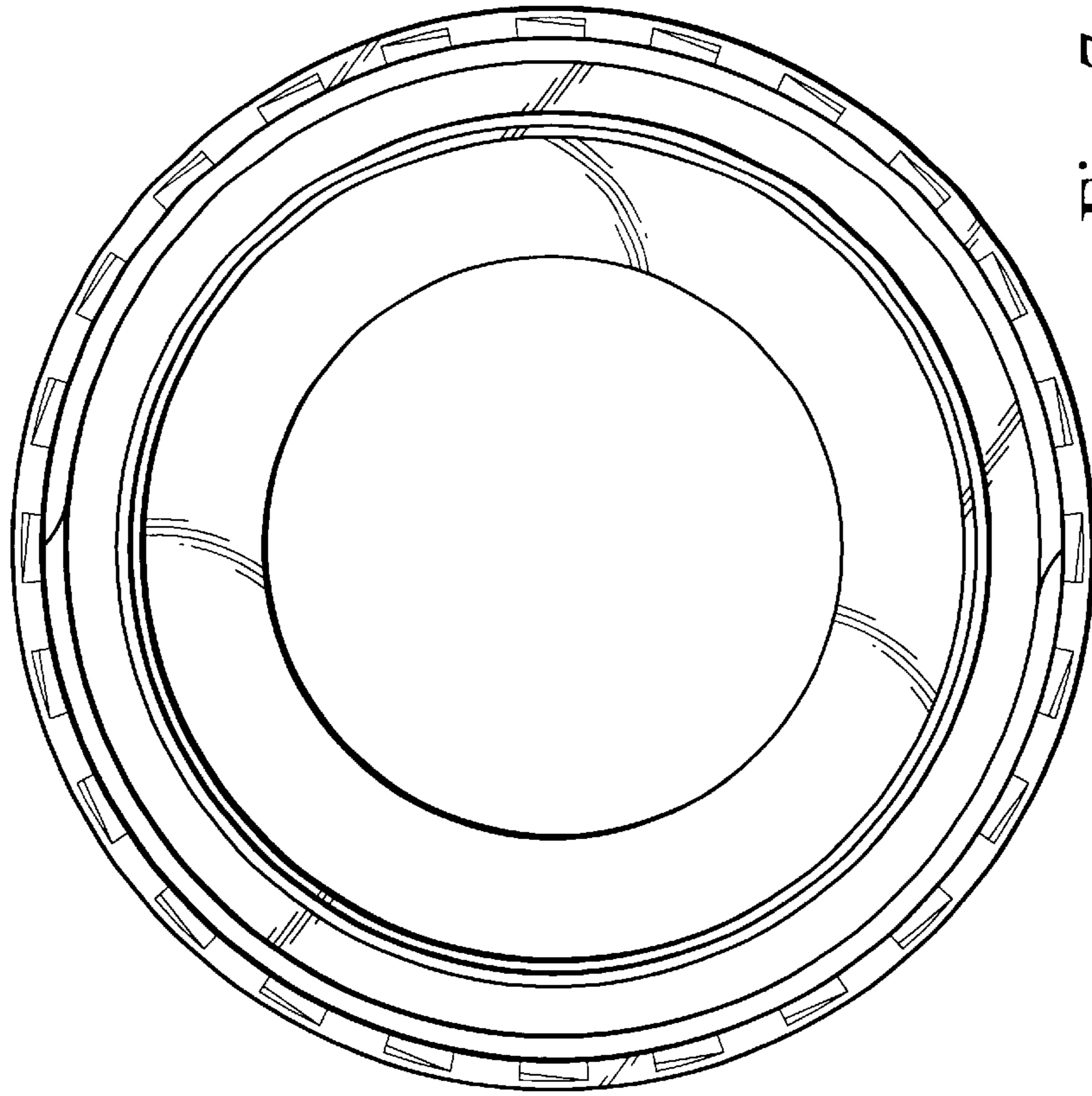


Fig. 7

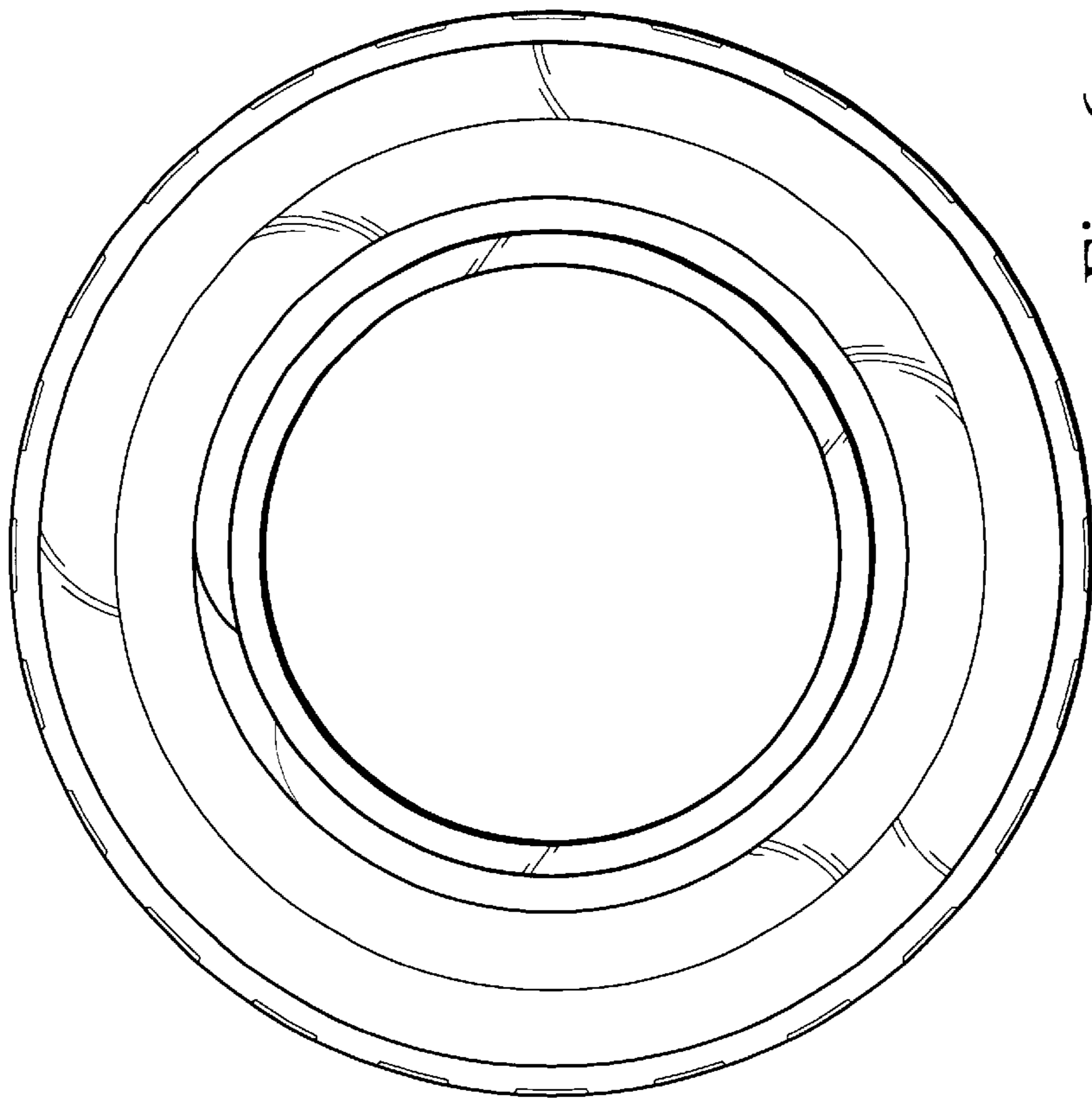


Fig. 6

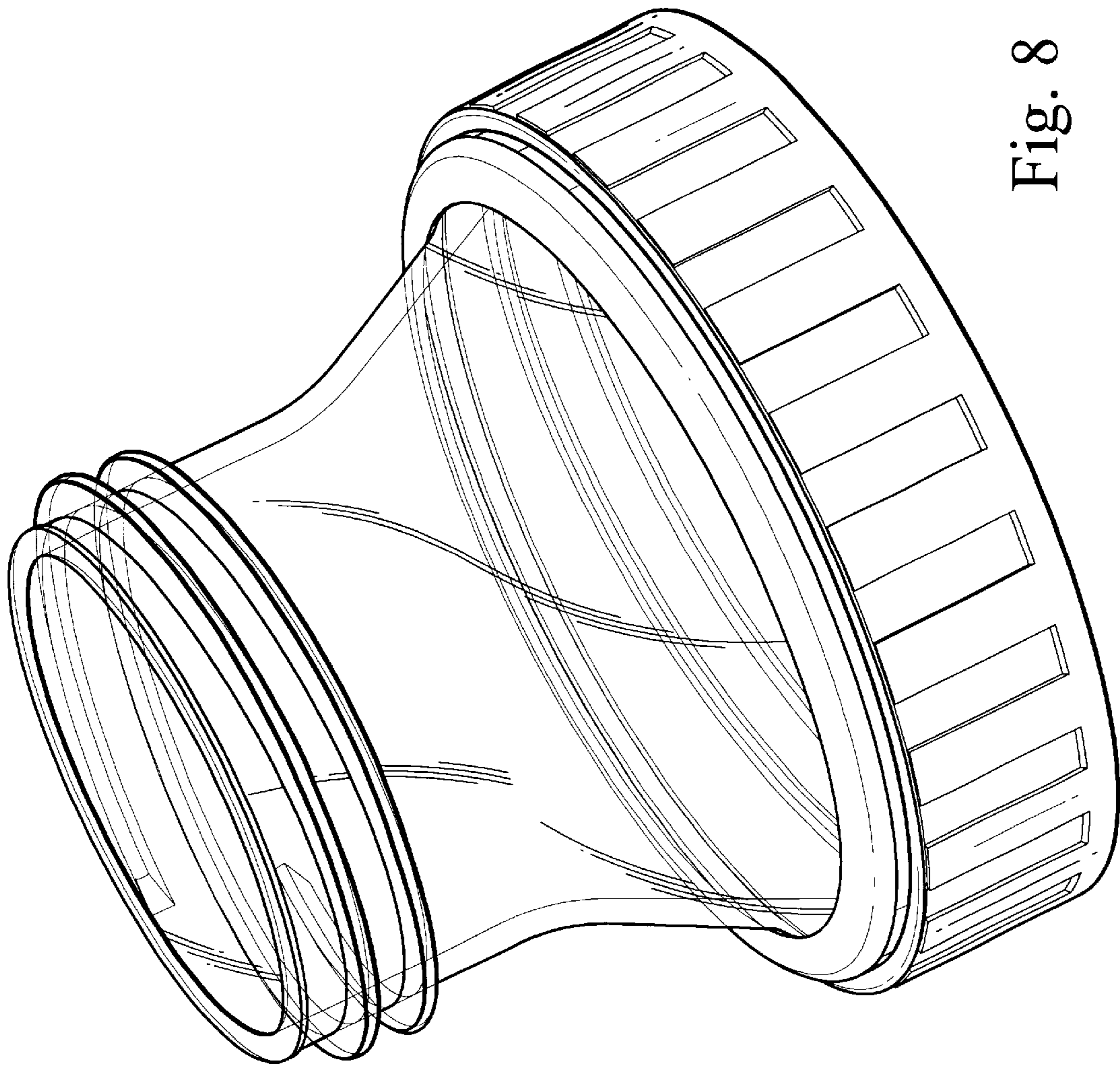


Fig. 8

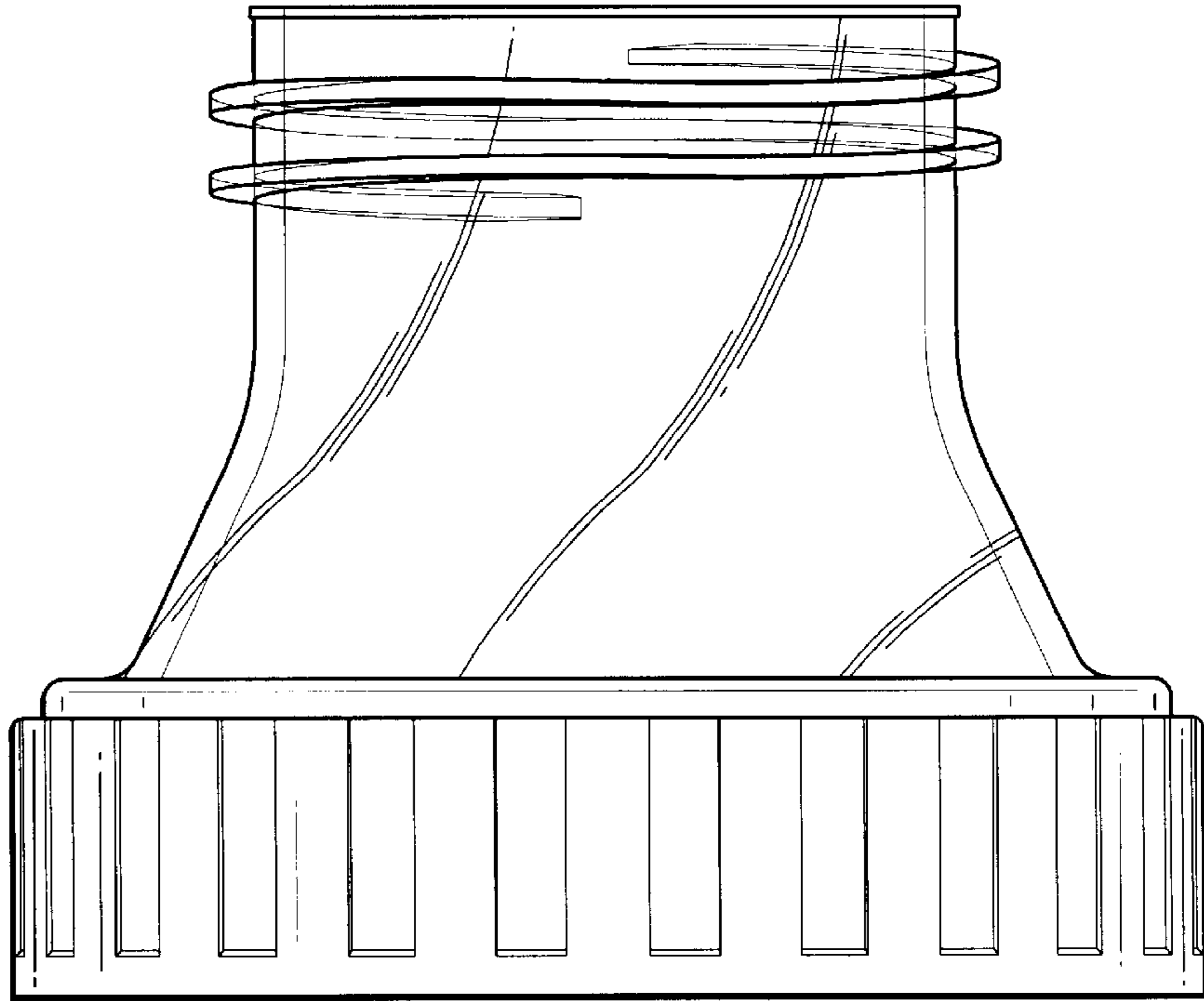


Fig. 9

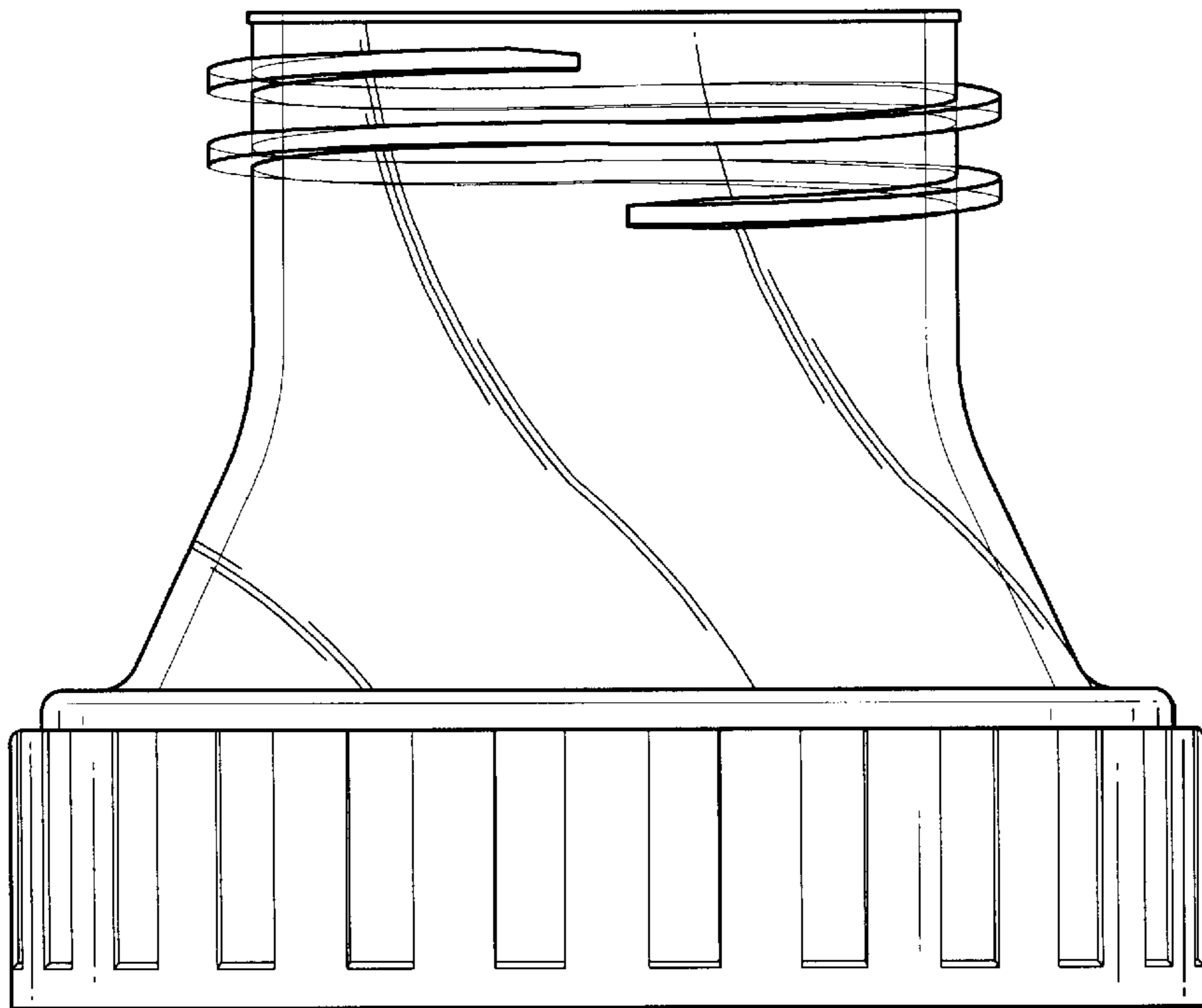


Fig. 10

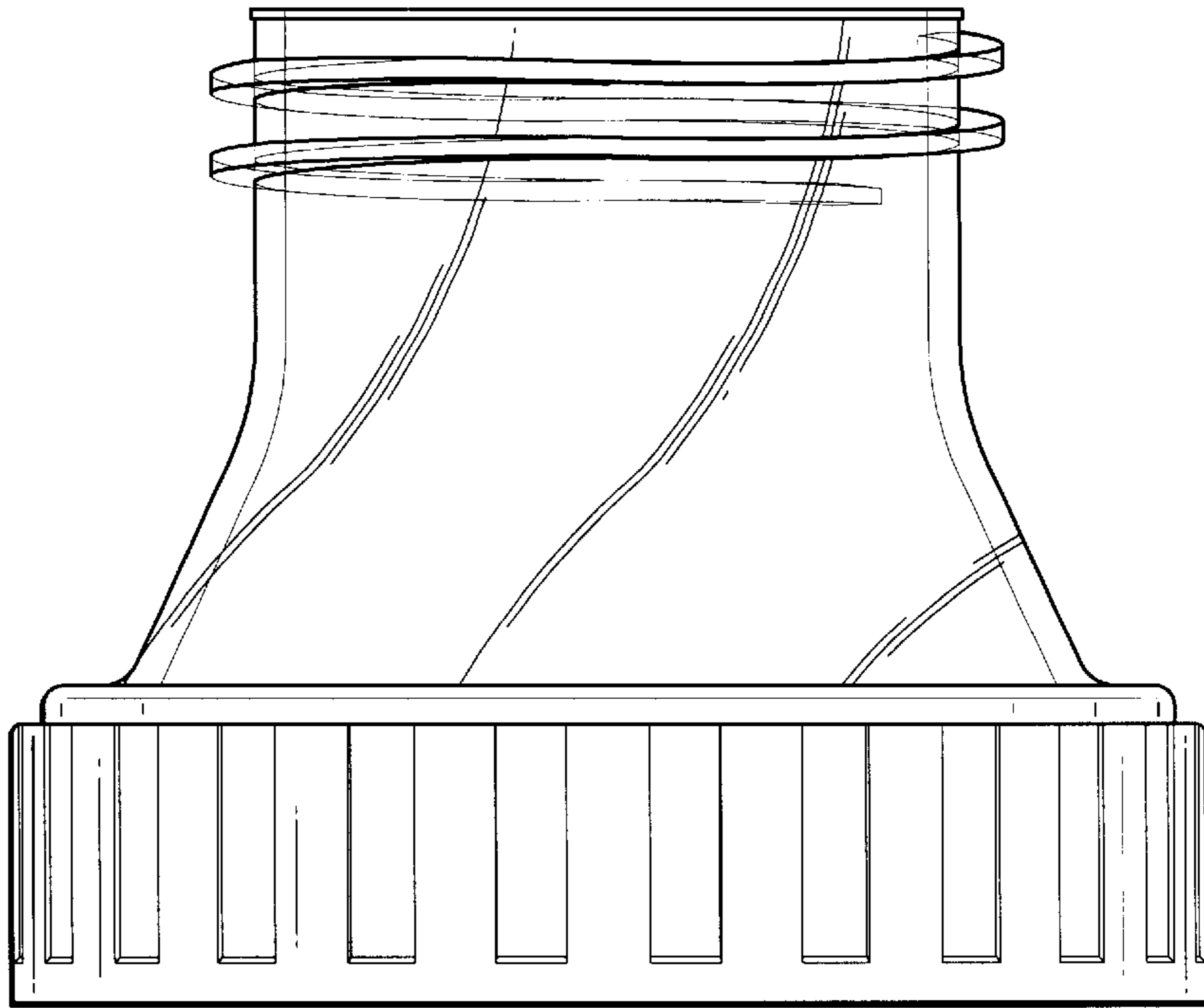


Fig. 11

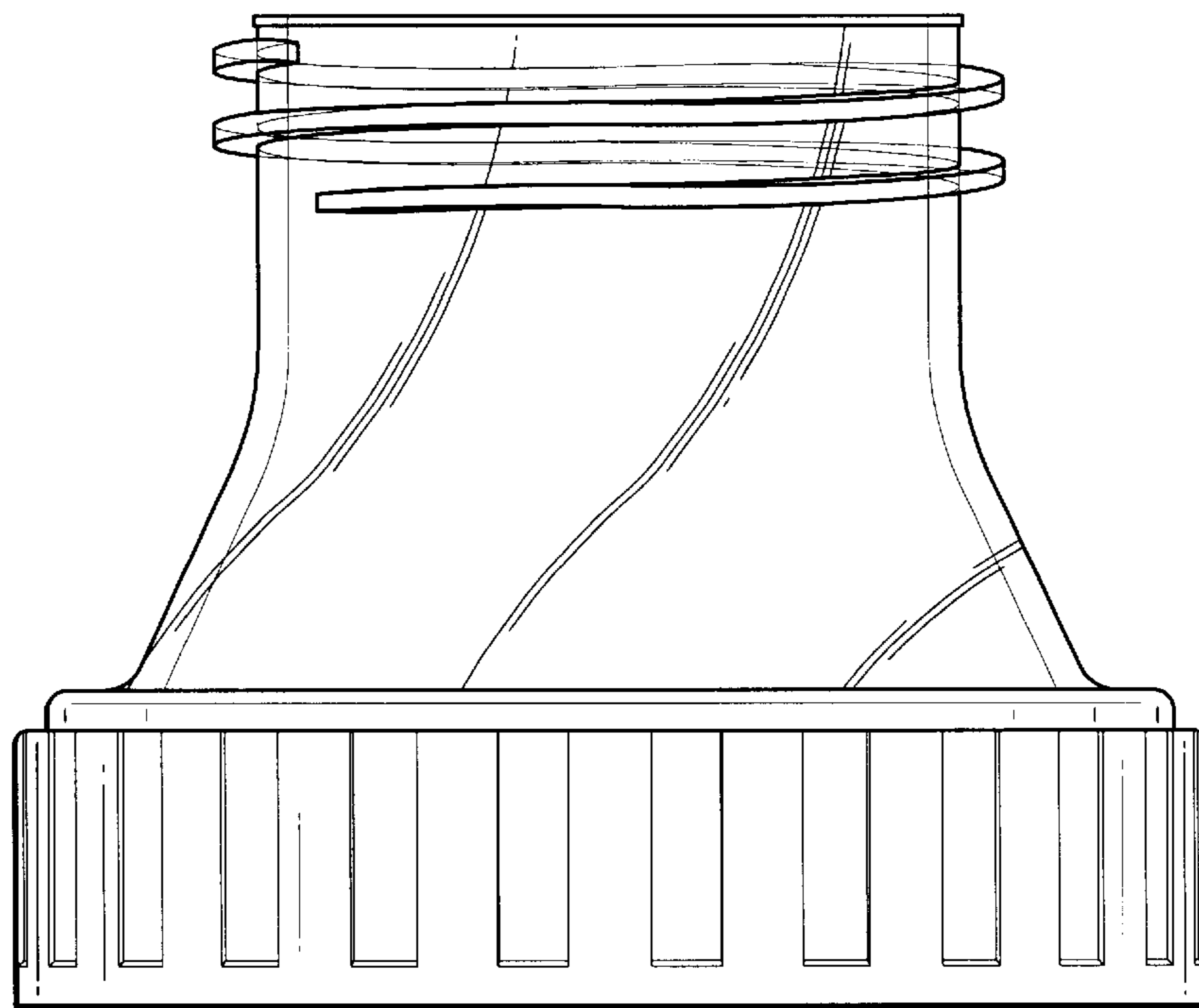


Fig. 12

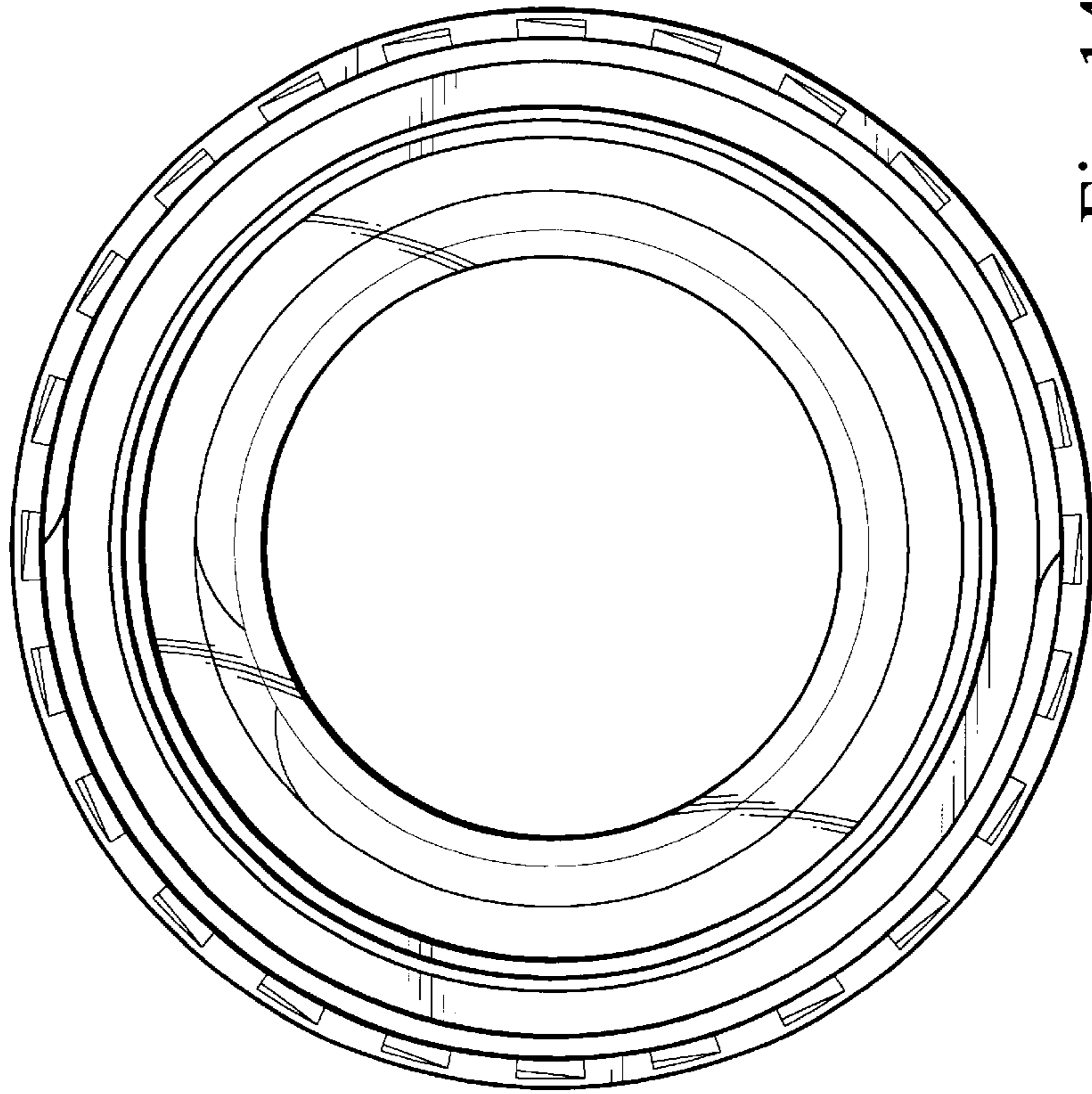


Fig. 14

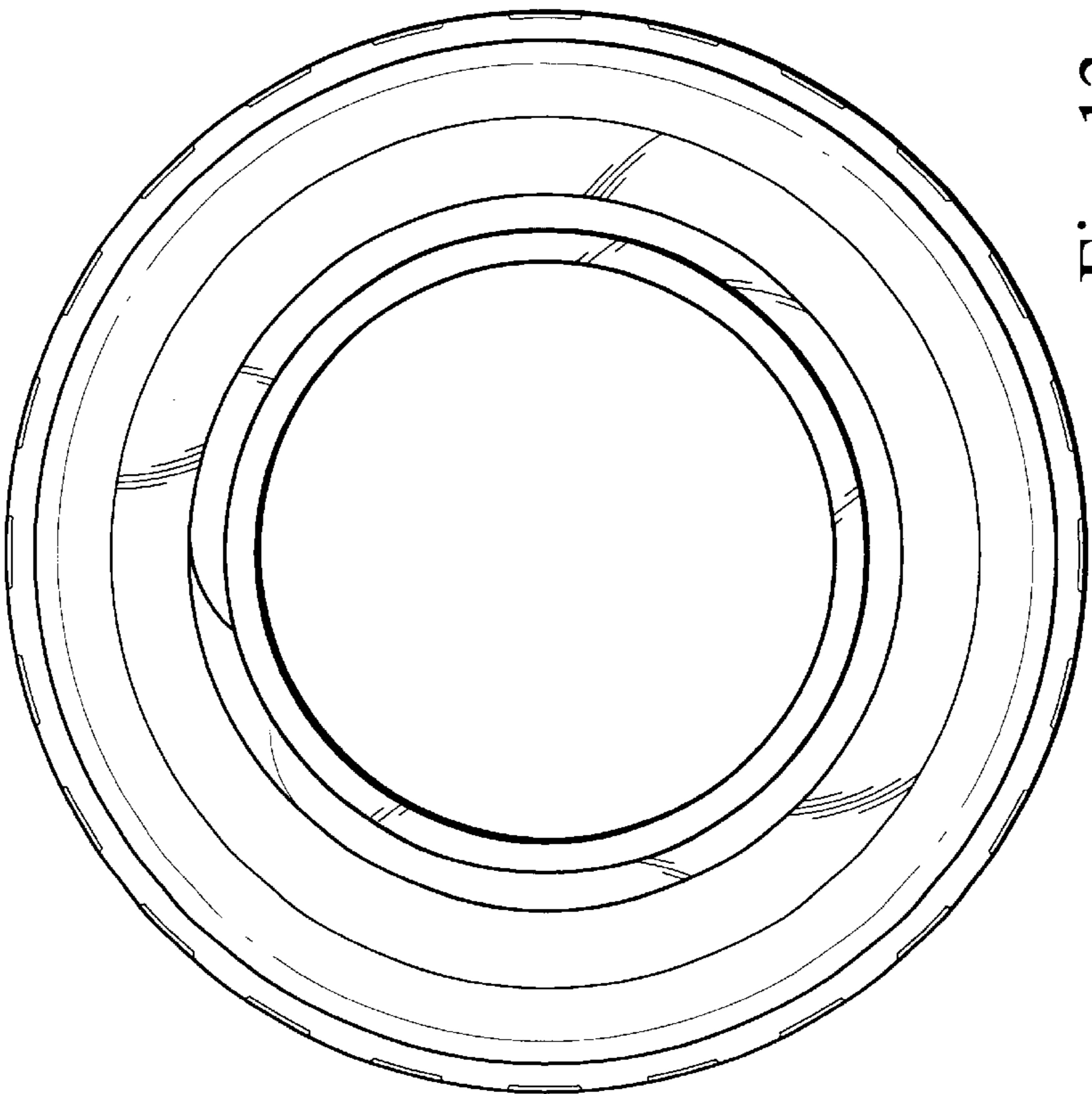


Fig. 13