



US00D486224S

(12) **United States Design Patent**  
**Gay, III**

(10) **Patent No.:** **US D486,224 S**

(45) **Date of Patent:** **\*\* Feb. 3, 2004**

(54) **BREAST PUMP ADAPTER**

(75) **Inventor:** **Randolph G. Gay, III**, Chesapeake, VA (US)

(73) **Assignee:** **PBM Plastics, Inc.**, Newport News, VA (US)

(\*\*) **Term:** **14 Years**

(21) **Appl. No.:** **29/171,415**

(22) **Filed:** **Nov. 22, 2002**

(51) **LOC (7) Cl.** ..... **24-02**

(52) **U.S. Cl.** ..... **D24/109; D24/129**

(58) **Field of Search** ..... D24/109, 197, D24/129, 108; 604/74, 75, 76; 215/11.1, 11.2, 11.3, 11.4, 11.5, 11.6

(56) **References Cited**

**U.S. PATENT DOCUMENTS**

2,102,702 A	12/1937	Hall	229/63
2,682,903 A	7/1954	Gay	150/3
3,002,240 A	10/1961	Laguerre	24/30.5
3,308,936 A	3/1967	Roland et al.	206/46
4,098,419 A	7/1978	Virog, Jr. et al.	215/252
4,299,330 A	11/1981	Walter	220/288
4,501,585 A	2/1985	Friedman	604/346
D299,537 S	1/1989	Morifuji	D24/109
4,850,496 A	7/1989	Rudell et al.	215/12.1
4,950,236 A *	8/1990	Wilson	604/74
5,307,946 A	5/1994	Molinaro	215/329
D348,513 S	7/1994	Bale	D24/109
5,588,548 A	12/1996	Brankley	215/388
D382,970 S	8/1997	Agopian	D24/199
5,791,503 A	8/1998	Lyons	215/11.5

6,006,930 A	12/1999	Dreyer et al.	215/44
6,050,432 A	4/2000	Koehnke	215/11.3
6,415,937 B1	7/2002	DeJong et al.	215/386
2001/0017948 A1	8/2001	Gross et al.	383/80
2002/0156419 A1 *	10/2002	Silver et al.	604/74

\* cited by examiner

*Primary Examiner*—Ian Simmons

(74) *Attorney, Agent, or Firm*—Nixon & Vanderhye P.C.

(57) **CLAIM**

The ornamental design for a “breast pump adapter”, as shown and described.

**DESCRIPTION**

FIG. 1 is a perspective view of one embodiment of a breast pump adapter which embodies my new and original design therefor having an overall translucent appearance;

FIG. 2 is a front elevational view thereof, the rear elevational view being a mirror image thereof;

FIG. 3 is a right side elevational view thereof, the left side elevational view being a mirror image thereof;

FIG. 4 is a top plan view thereof;

FIG. 5 is bottom plan view thereof;

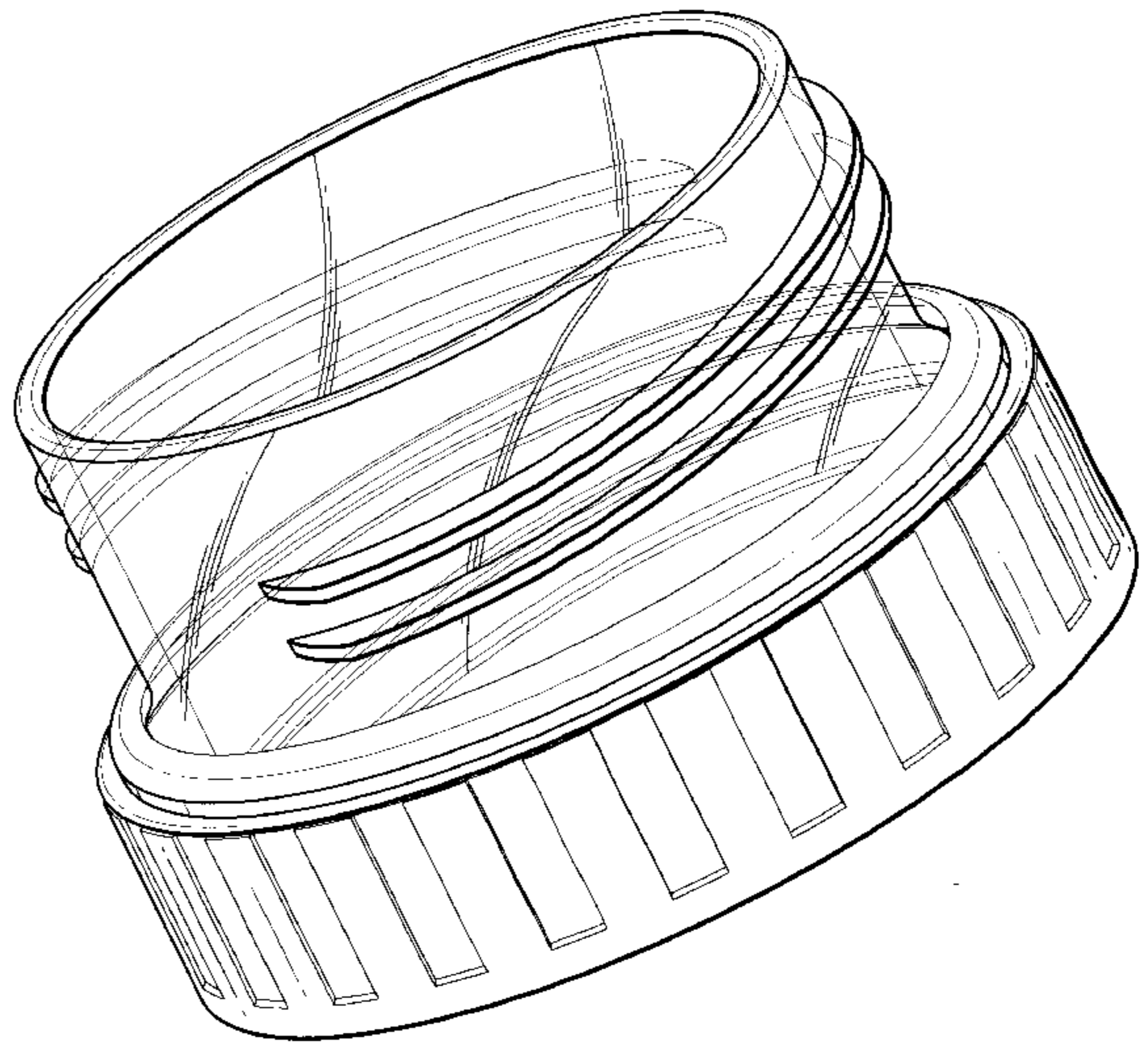
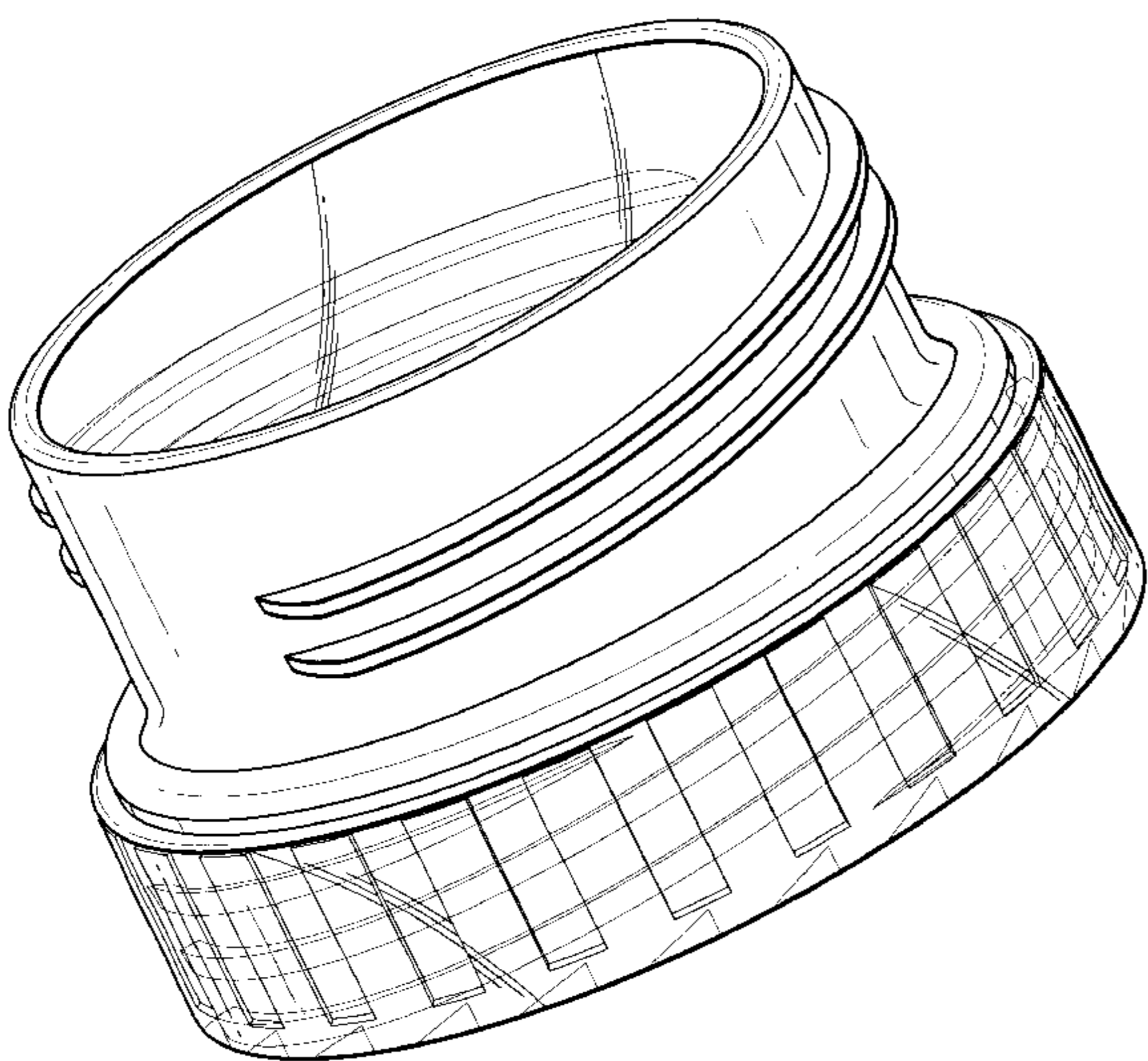
FIG. 6 is a perspective view of another embodiment of a breast pump adapter embodying my new and original design therefor having a base ring which is opaque in appearance and a transition portion which is transparent in appearance, FIG. 7 is a front elevational view thereof, the rear elevational view being a mirror image thereof;

FIG. 8 is a right side elevational view thereof, the left side elevational view being a mirror image thereof;

FIG. 9 is a top plan view thereof; and,

FIG. 10 is bottom plan view thereof.

**1 Claim, 6 Drawing Sheets**



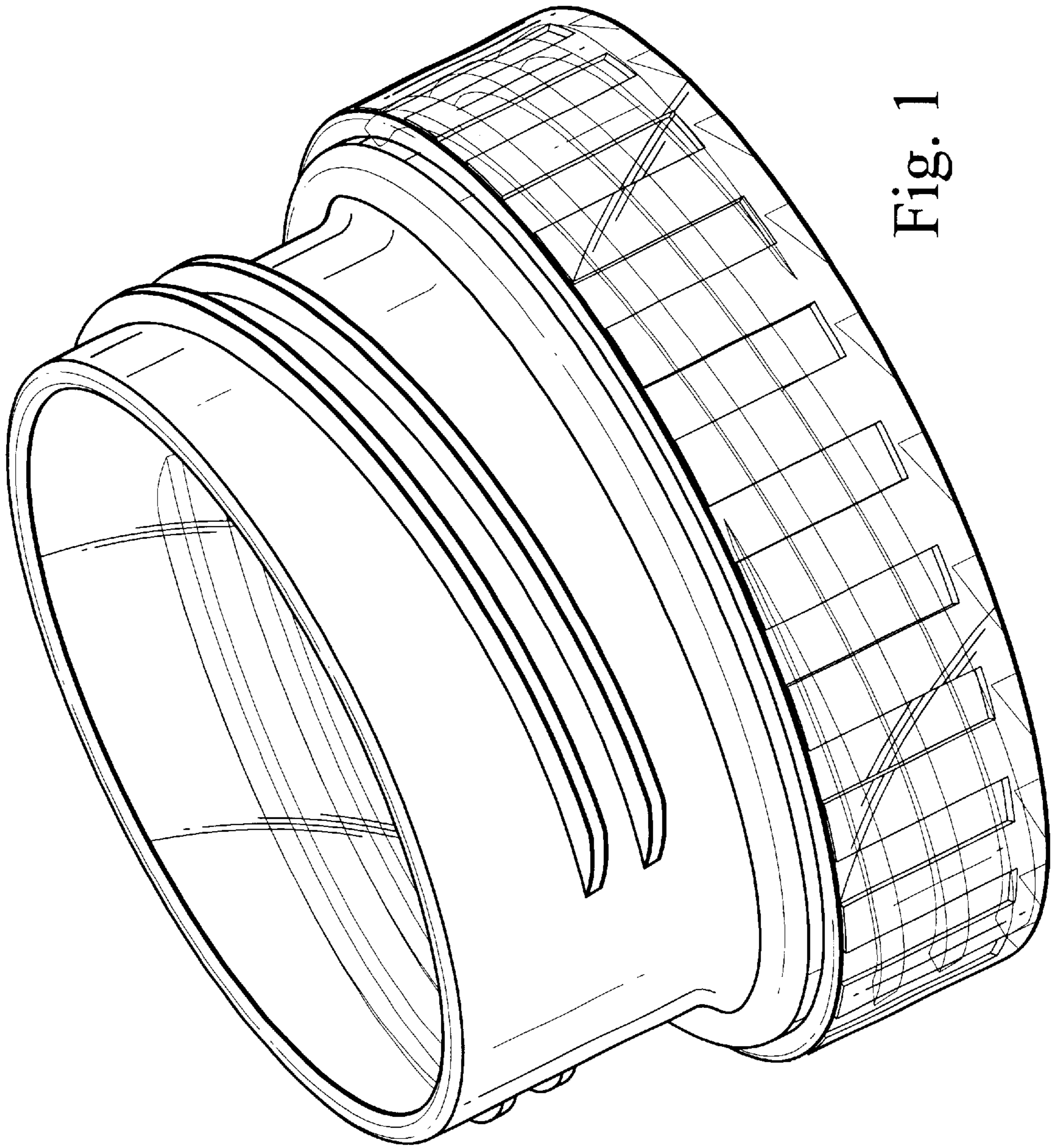


Fig. 1

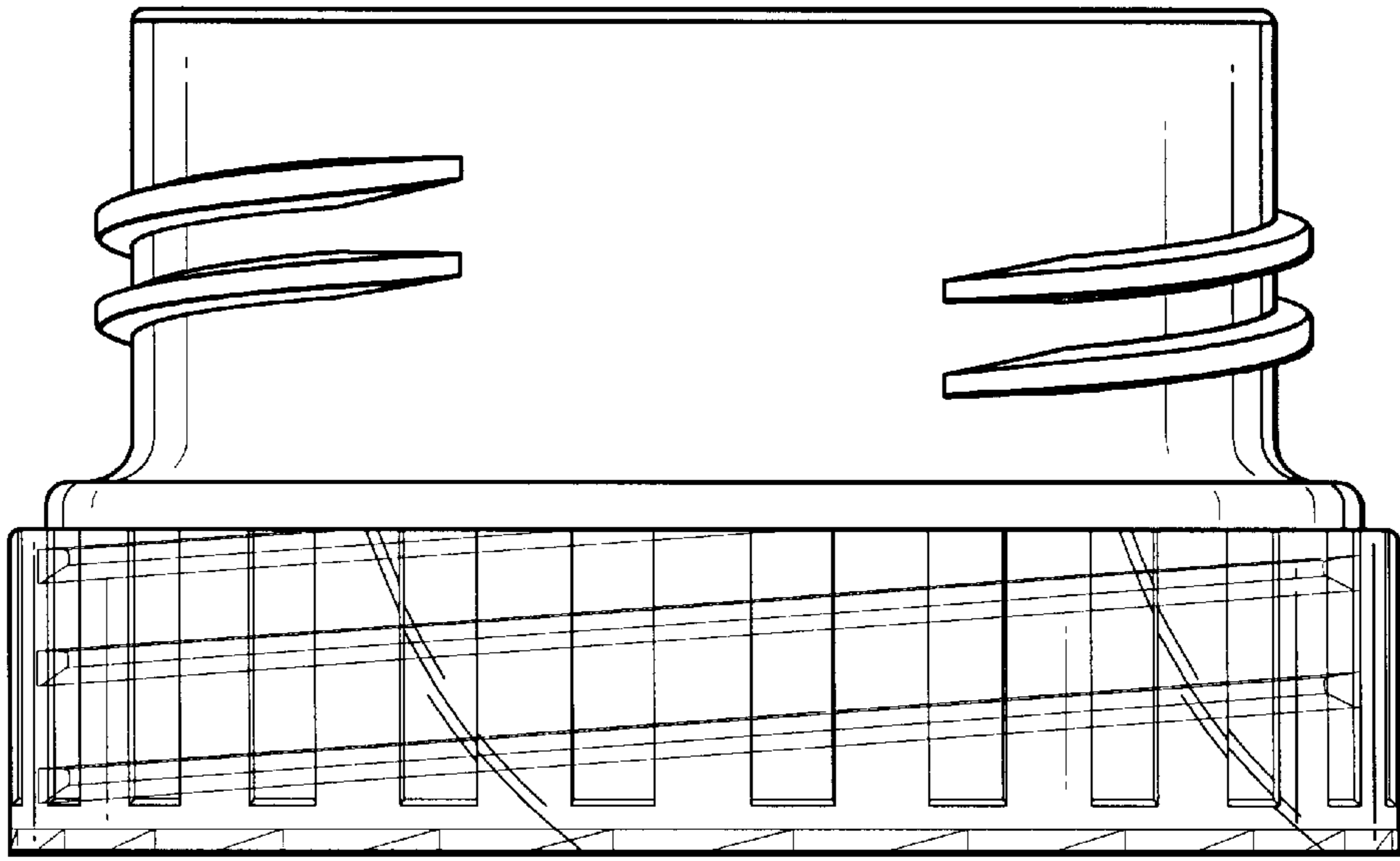


Fig. 2

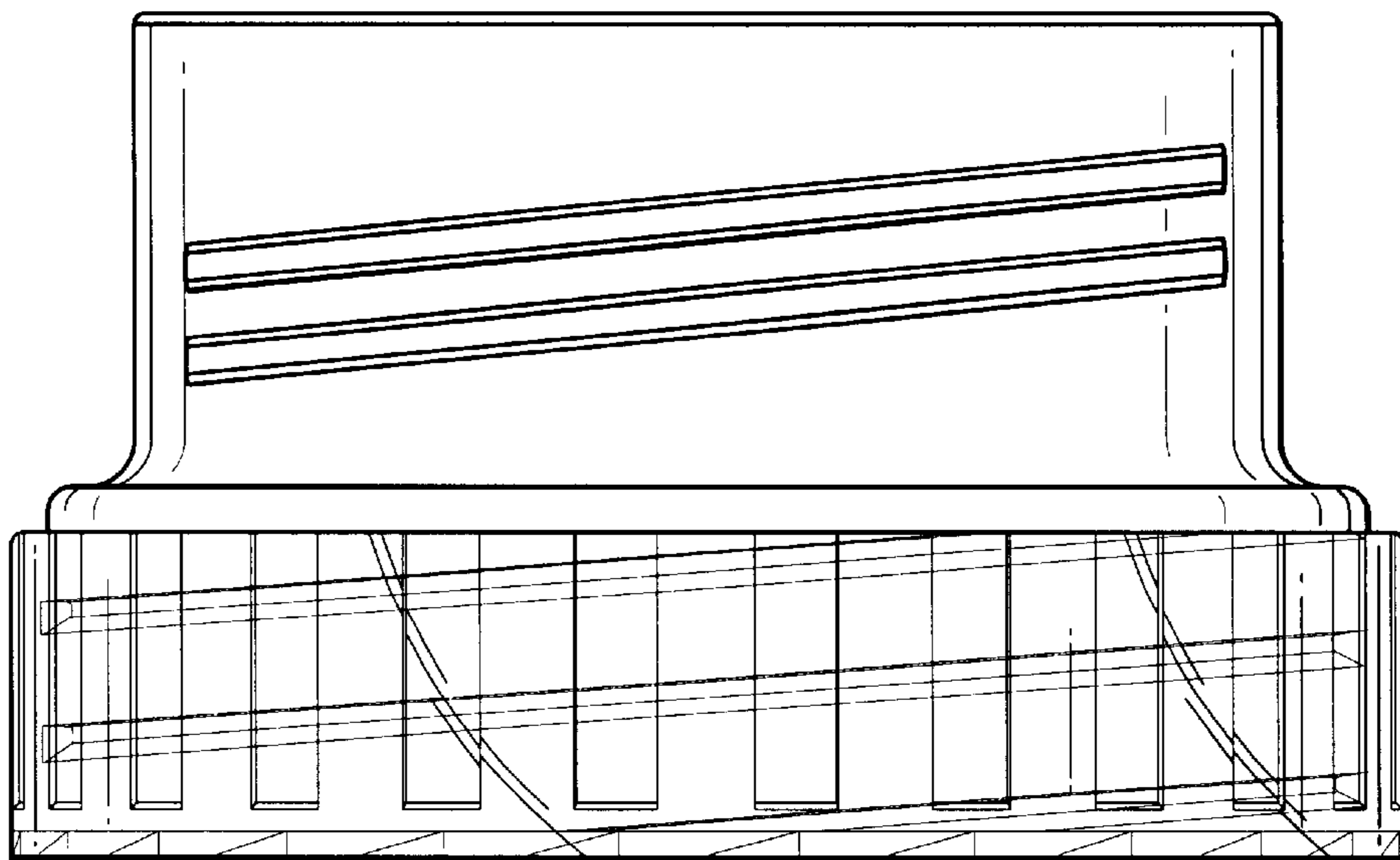


Fig. 3

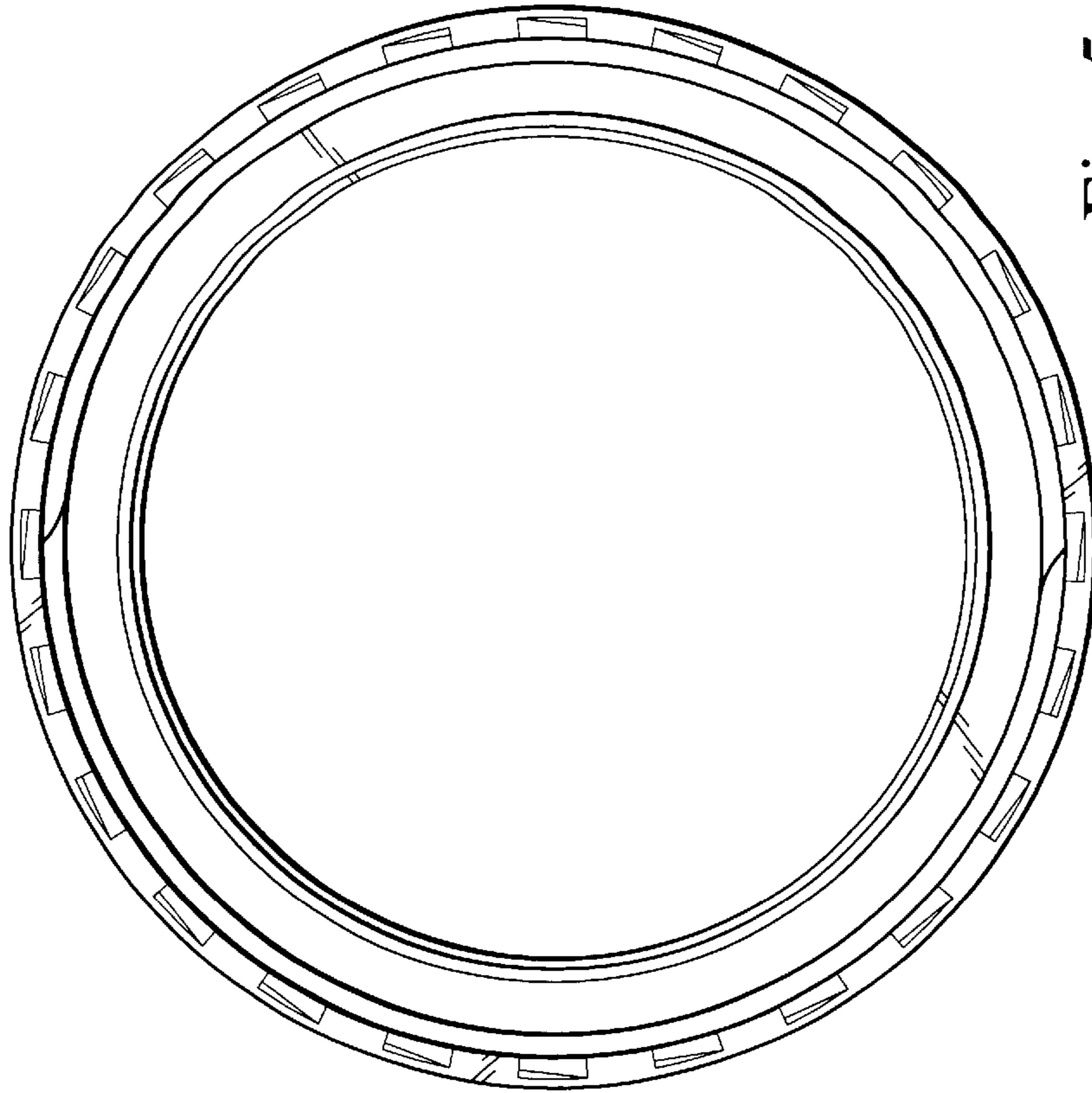


Fig. 5

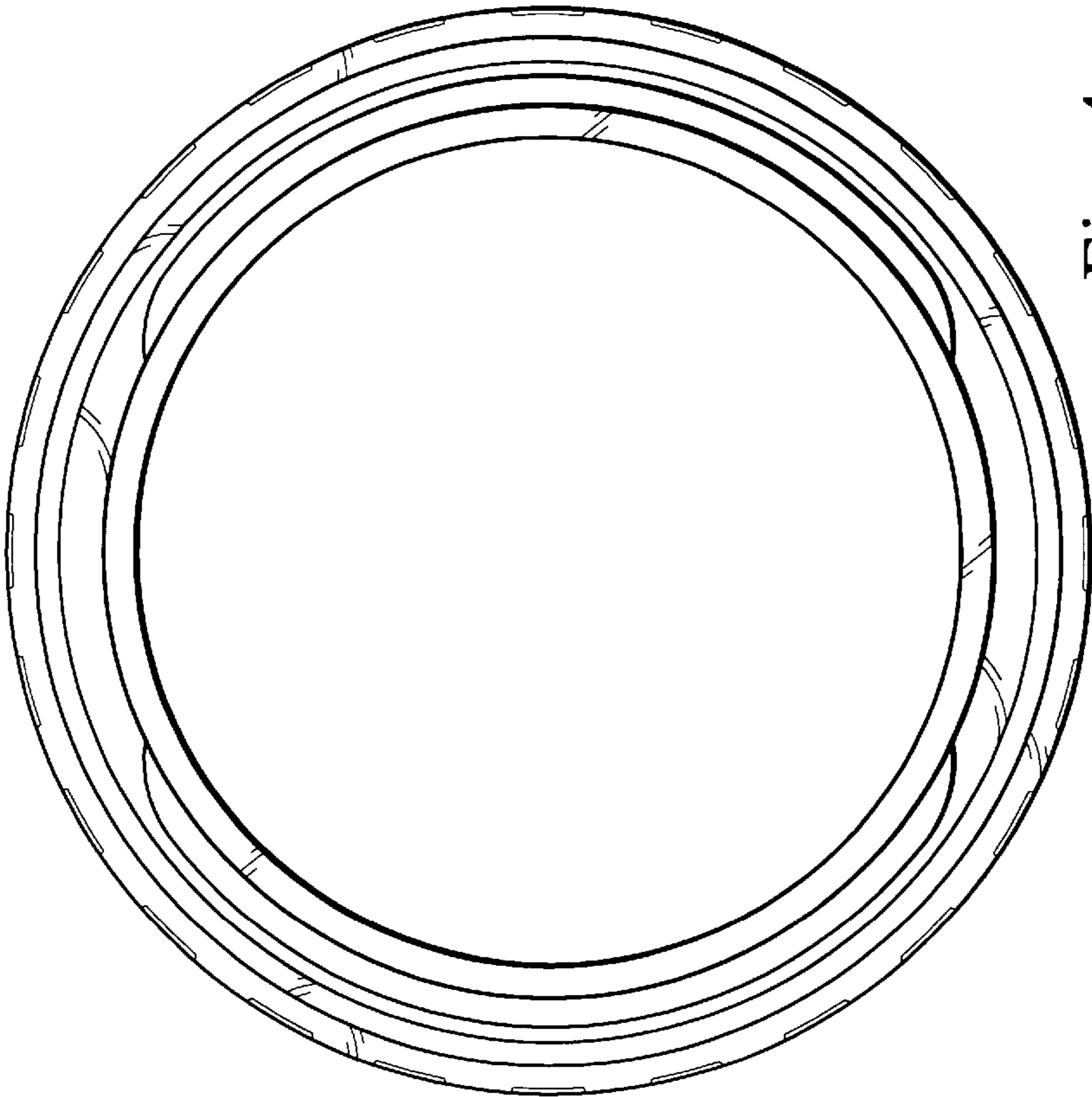


Fig. 4

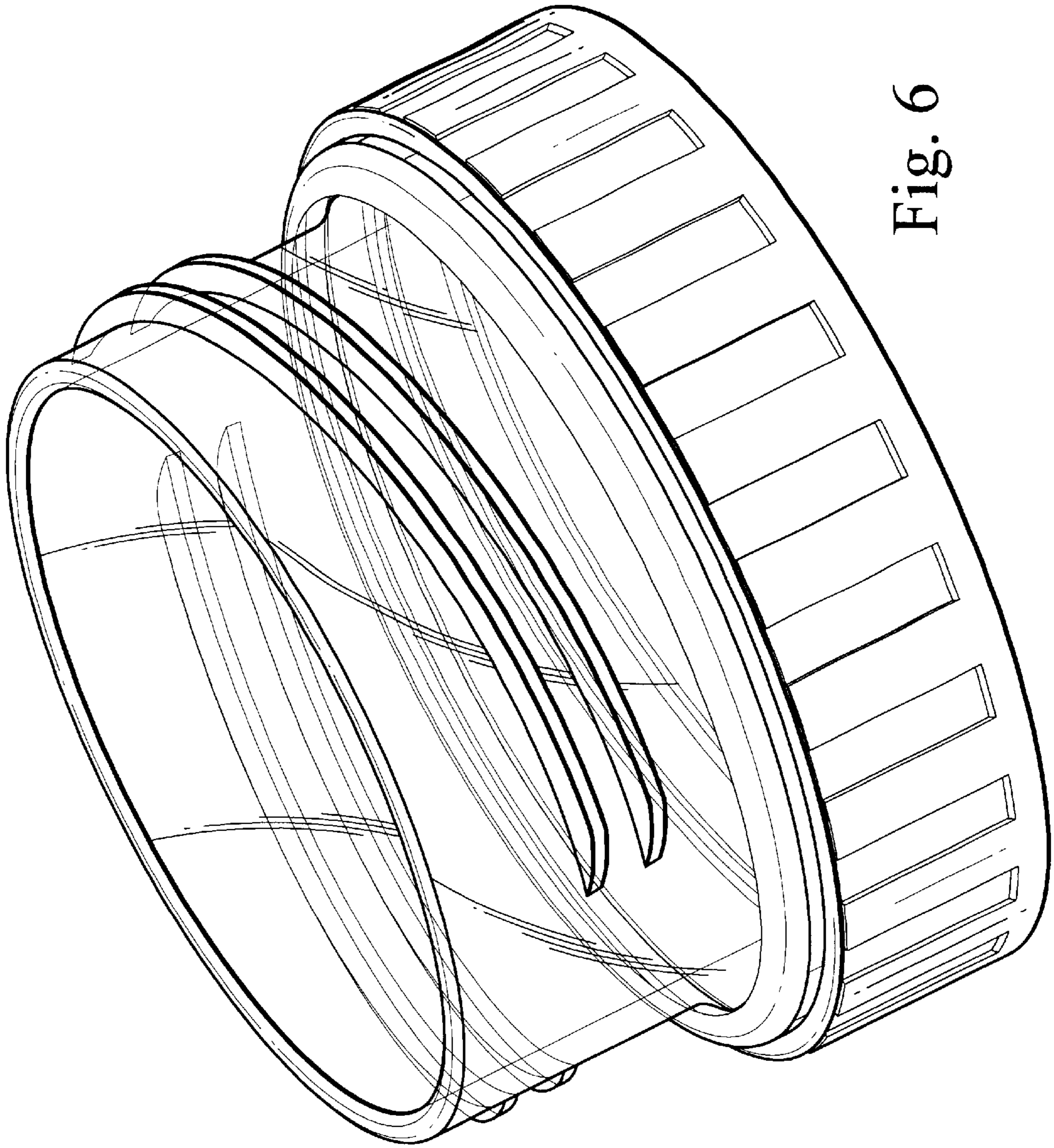


Fig. 6

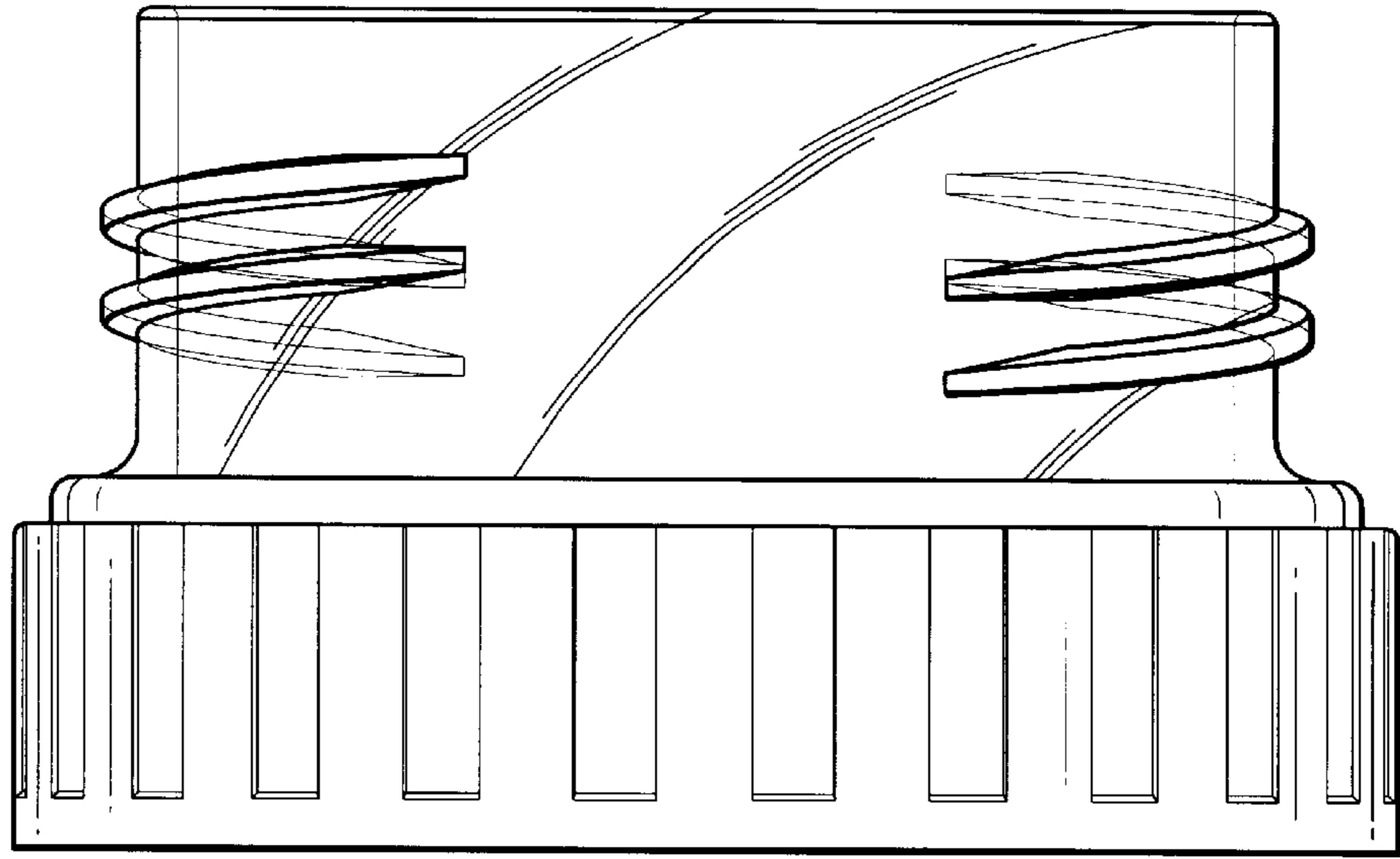


Fig. 7

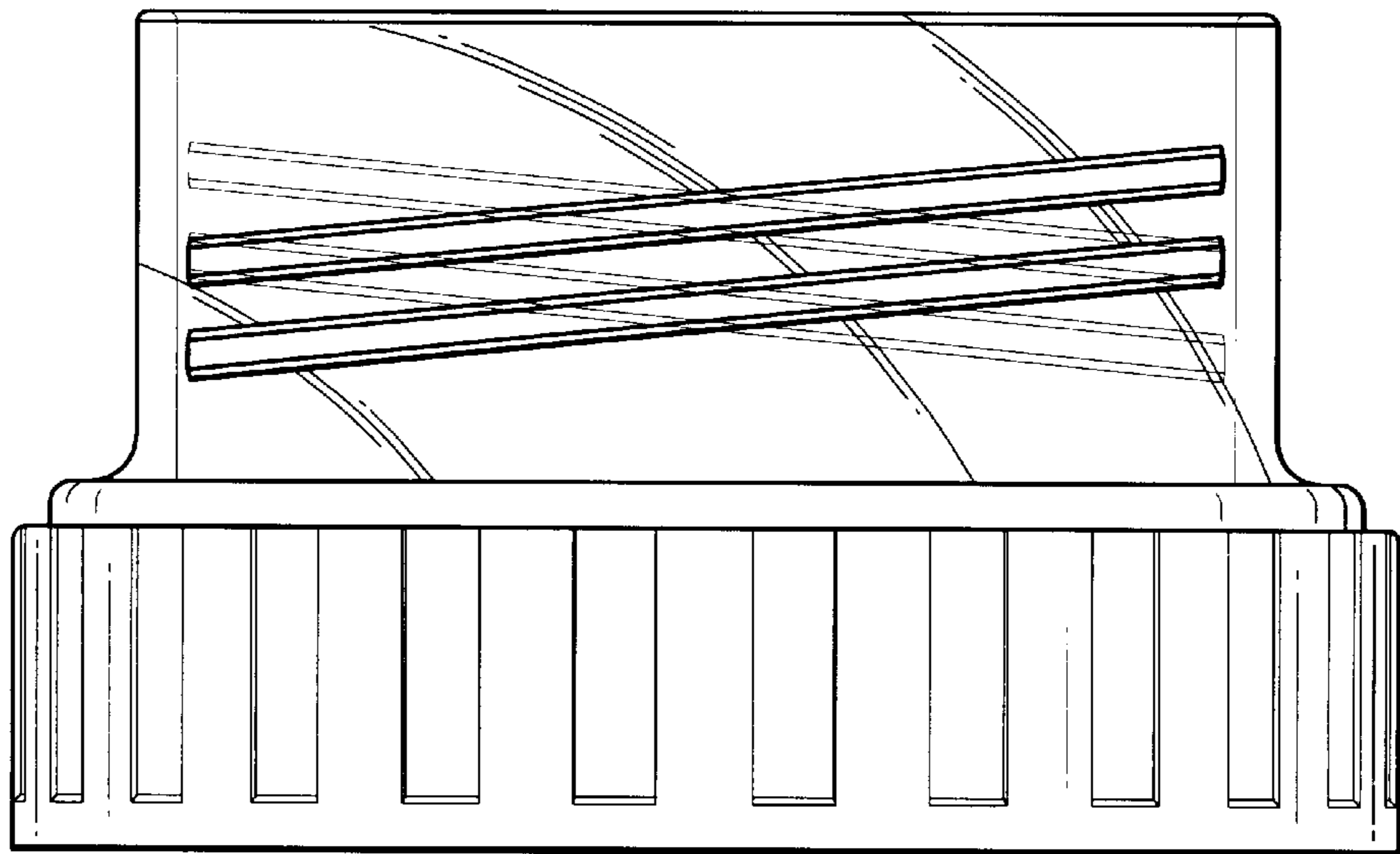


Fig. 8

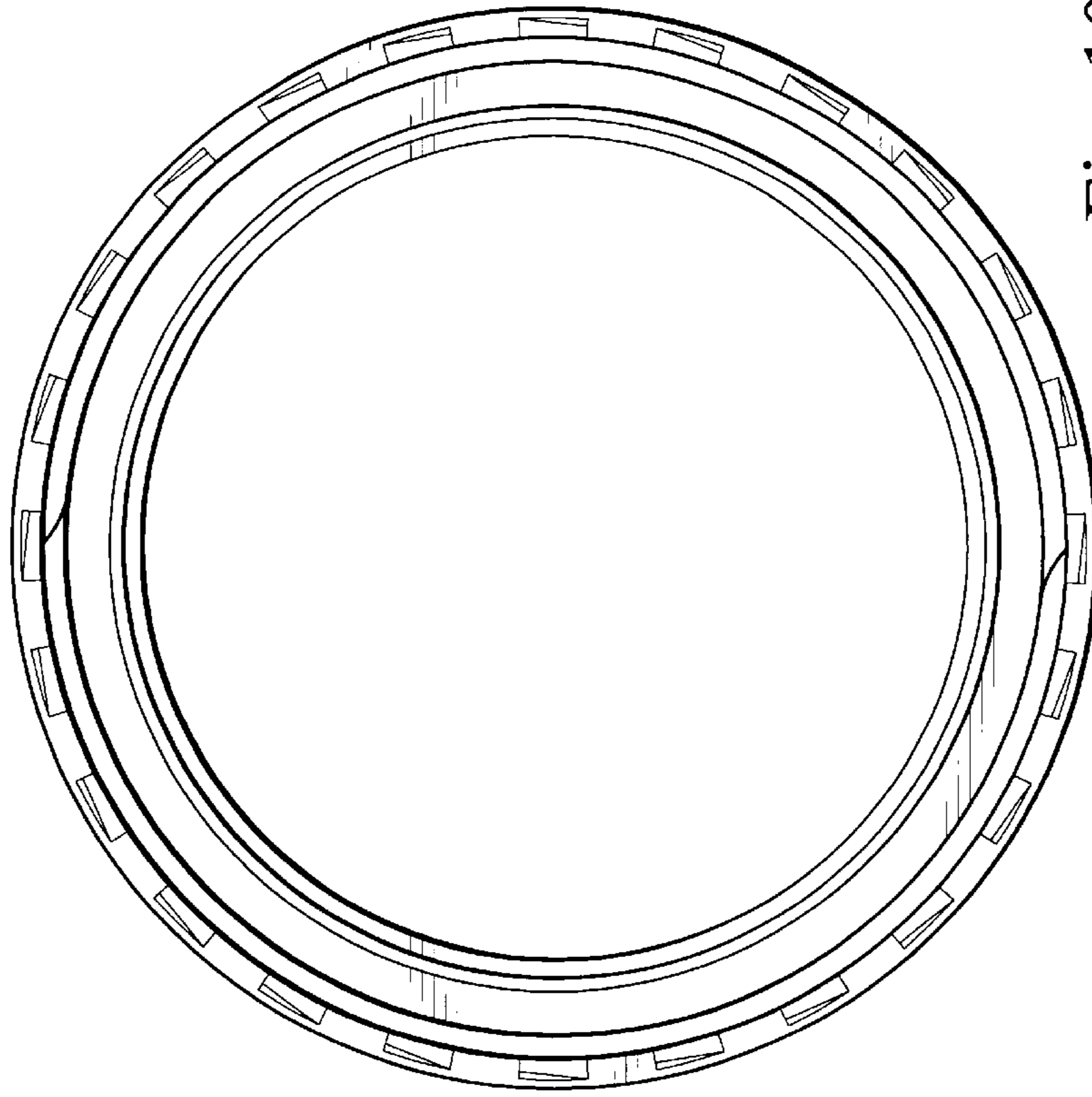


Fig. 10

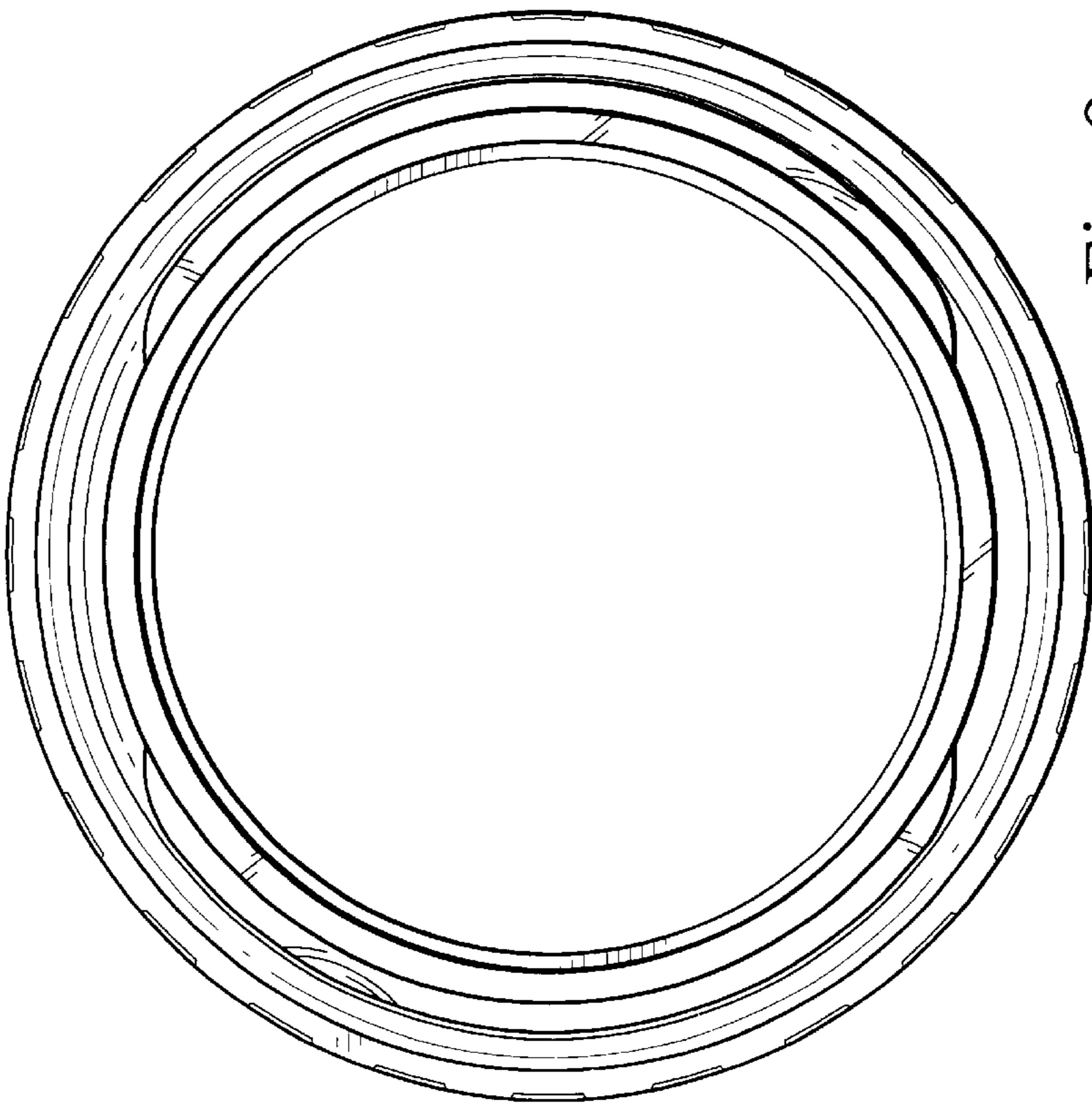


Fig. 9