



US00D486222S

(12) **United States Design Patent**
Shapiro

(10) **Patent No.:** **US D486,222 S**

(45) **Date of Patent:** **** Feb. 3, 2004**

(54) **FAN GRILL**

(75) Inventor: **Barry Shapiro**, Doylestown, PA (US)

(73) Assignee: **Lasko Holdings, Inc.**, West Chester, PA (US)

(**) Term: **14 Years**

(21) Appl. No.: **29/182,174**

(22) Filed: **May 21, 2003**

Related U.S. Application Data

(62) Division of application No. 29/164,412, filed on Jul. 24, 2002.

(51) **LOC (7) Cl.** **23-04**

(52) **U.S. Cl.** **D23/411**

(58) **Field of Search** D23/381, 370;
416/246 R, 247 R

(56) **References Cited**

U.S. PATENT DOCUMENTS

D408,907 S * 4/1999 Moreno D23/412

D413,685 S * 9/1999 Lasko et al. D23/381

* cited by examiner

Primary Examiner—Lisa Lichtenstein

(74) *Attorney, Agent, or Firm*—RatnerPrestia

(57) **CLAIM**

The ornamental design for a fan grill, as shown and described.

DESCRIPTION

FIG. 1 is a right side perspective view of a fan grill showing my new design;

FIG. 2 is a front elevation view of the embodiment shown in FIG. 13;

FIG. 3 is a top plan view of the embodiment shown in FIG. 13;

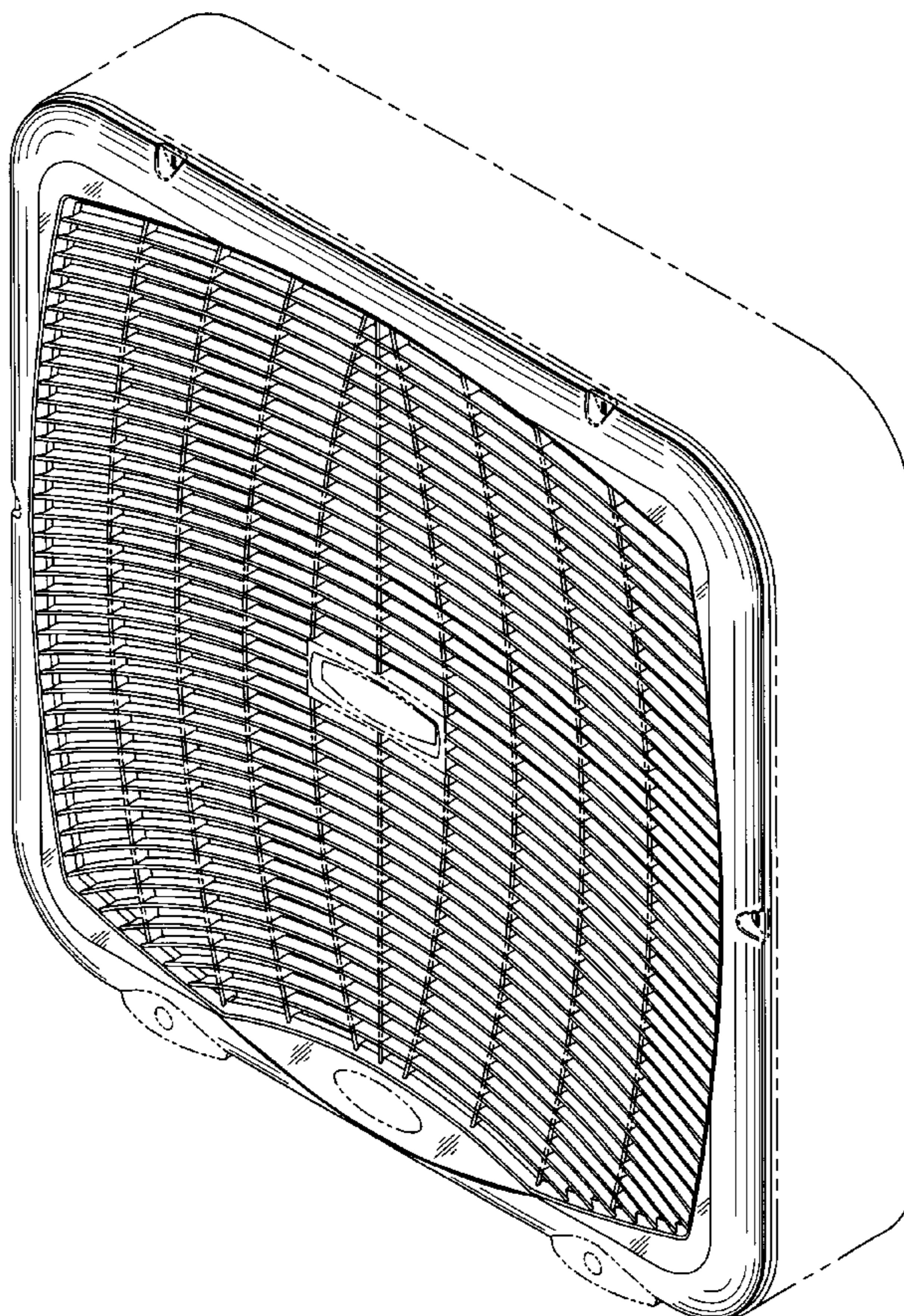
FIG. 4 is a side elevation view of the embodiment shown in FIG. 13;

FIG. 5 is a bottom plan view of the embodiment shown in FIG. 13; and

FIG. 6 is a rear elevation view of the embodiment shown in FIG. 13.

The broken line showing of environmental structure in FIGS. 1–6 is for illustrative purposes only and forms no part of the claimed design.

1 Claim, 3 Drawing Sheets



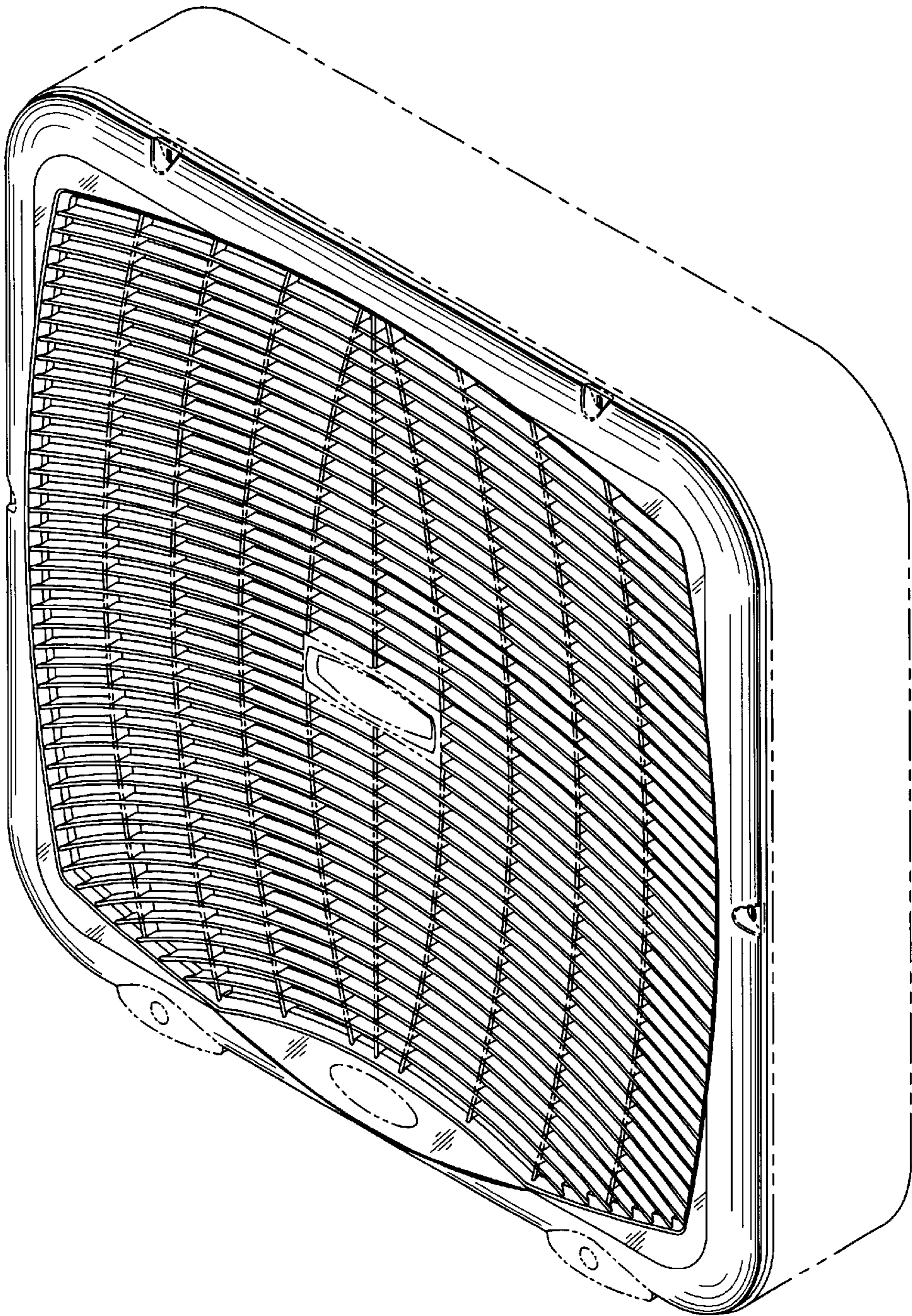


FIG. 1

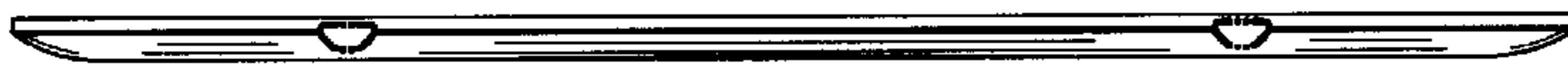


FIG. 3

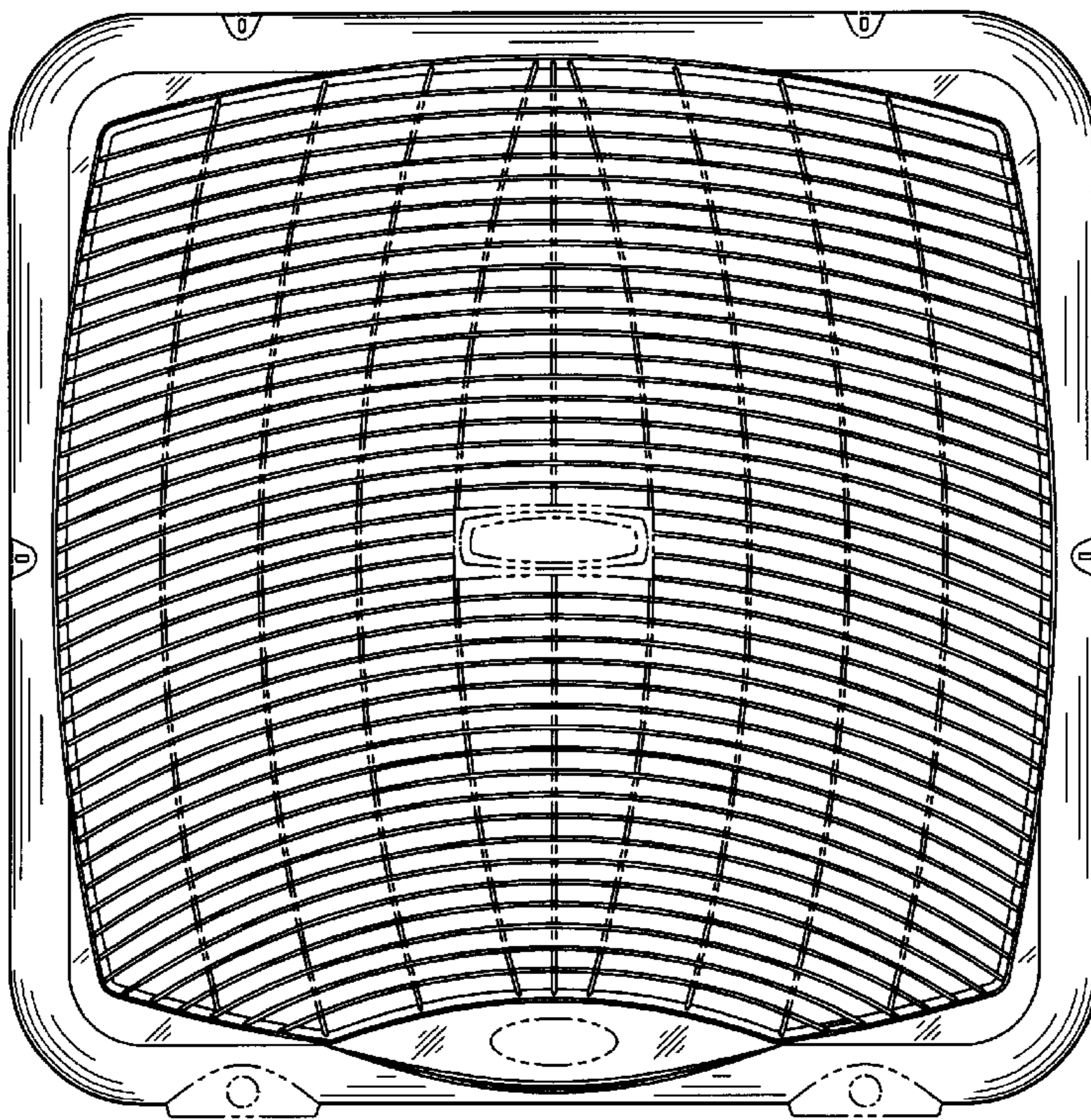


FIG. 2



FIG. 4

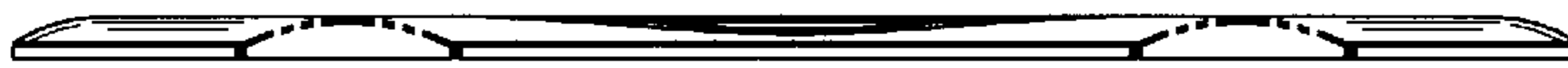


FIG. 5

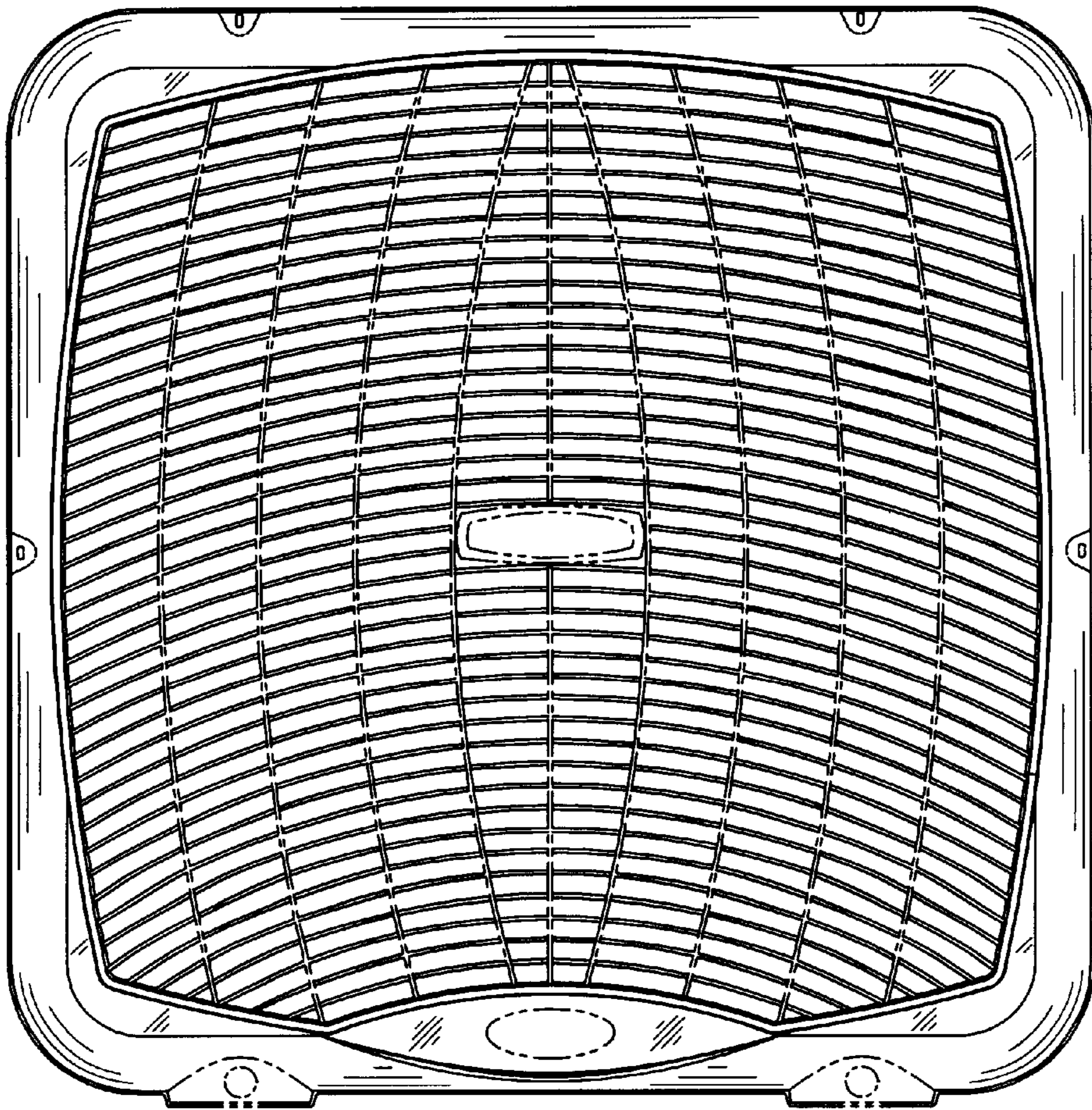


FIG. 6