



US00D486221S

(12) **United States Design Patent**  
**Hsieh**

(10) **Patent No.:** **US D486,221 S**

(45) **Date of Patent:** **\*\* Feb. 3, 2004**

(54) **BLADE HOLDER FOR CEILING FAN**

D434,490 S \* 11/2000 Tsuji et al. .... D23/411

(76) Inventor: **Frank Hsieh**, 235 Chung-Ho Box 8-24,  
Taipei (TW)

\* cited by examiner

*Primary Examiner*—Lisa Lichtenstein

(\*\*) Term: **14 Years**

(57) **CLAIM**

(21) Appl. No.: **29/181,550**

The ornamental design for a blade holder for a ceiling fan,  
as shown and described.

(22) Filed: **May 14, 2003**

**DESCRIPTION**

(51) **LOC (7) Cl.** ..... **23-04**

FIG. 1 is a perspective view of a blade holder for a ceiling  
fan showing my new design;

(52) **U.S. Cl.** ..... **D23/411**

FIG. 2 is a front elevational view thereof;

(58) **Field of Search** ..... D23/411, 377,

FIG. 3 is a rear elevational view thereof;

D23/379, 385; 416/5, 210 R; 392/364

FIG. 4 is a left side view thereof;

(56) **References Cited**

FIG. 5 is a right side view thereof;

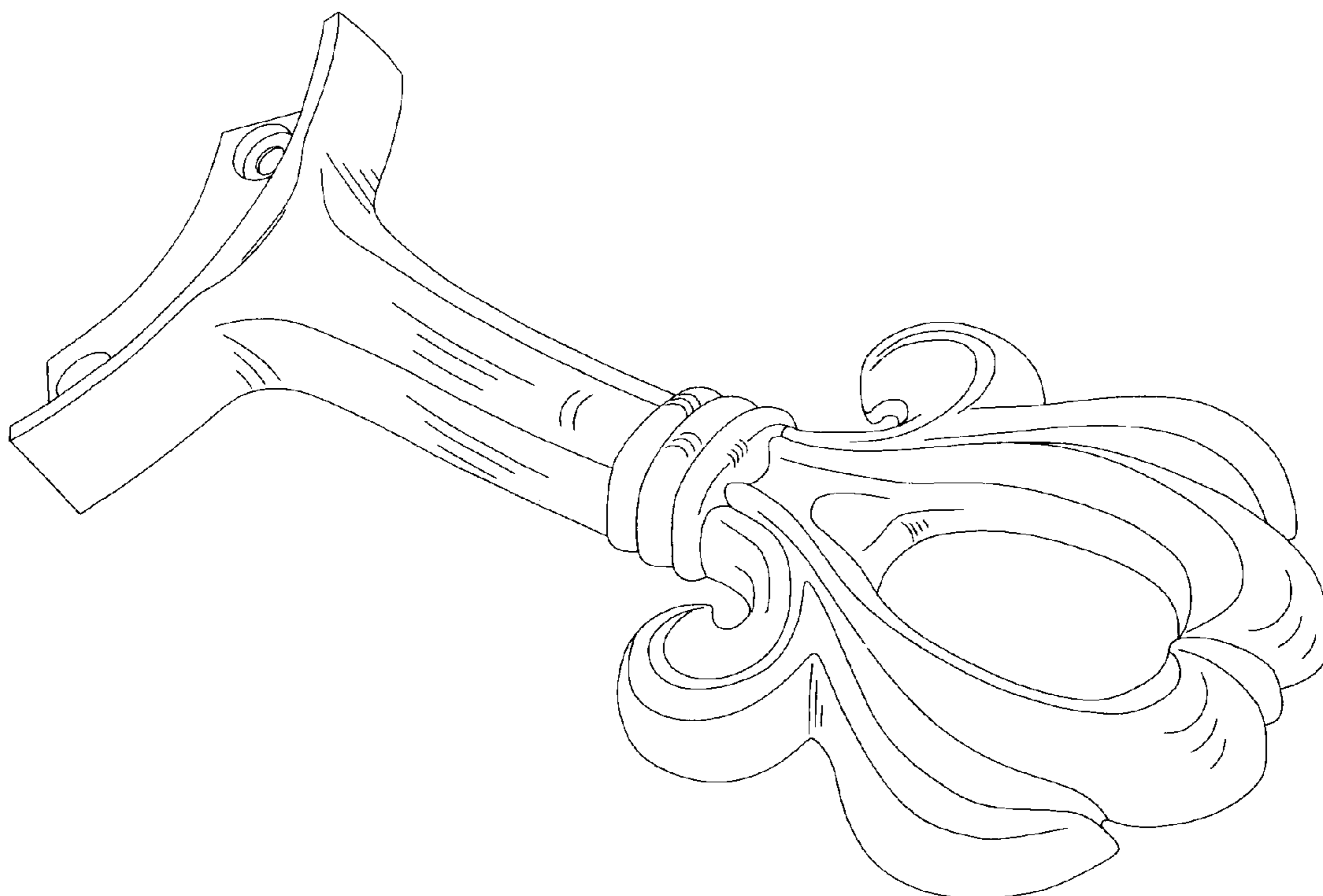
**U.S. PATENT DOCUMENTS**

FIG. 6 is a top plan view thereof; and,

FIG. 7 is a bottom plan view thereof.

D392,734 S \* 3/1998 Pickett ..... D23/377

**1 Claim, 7 Drawing Sheets**



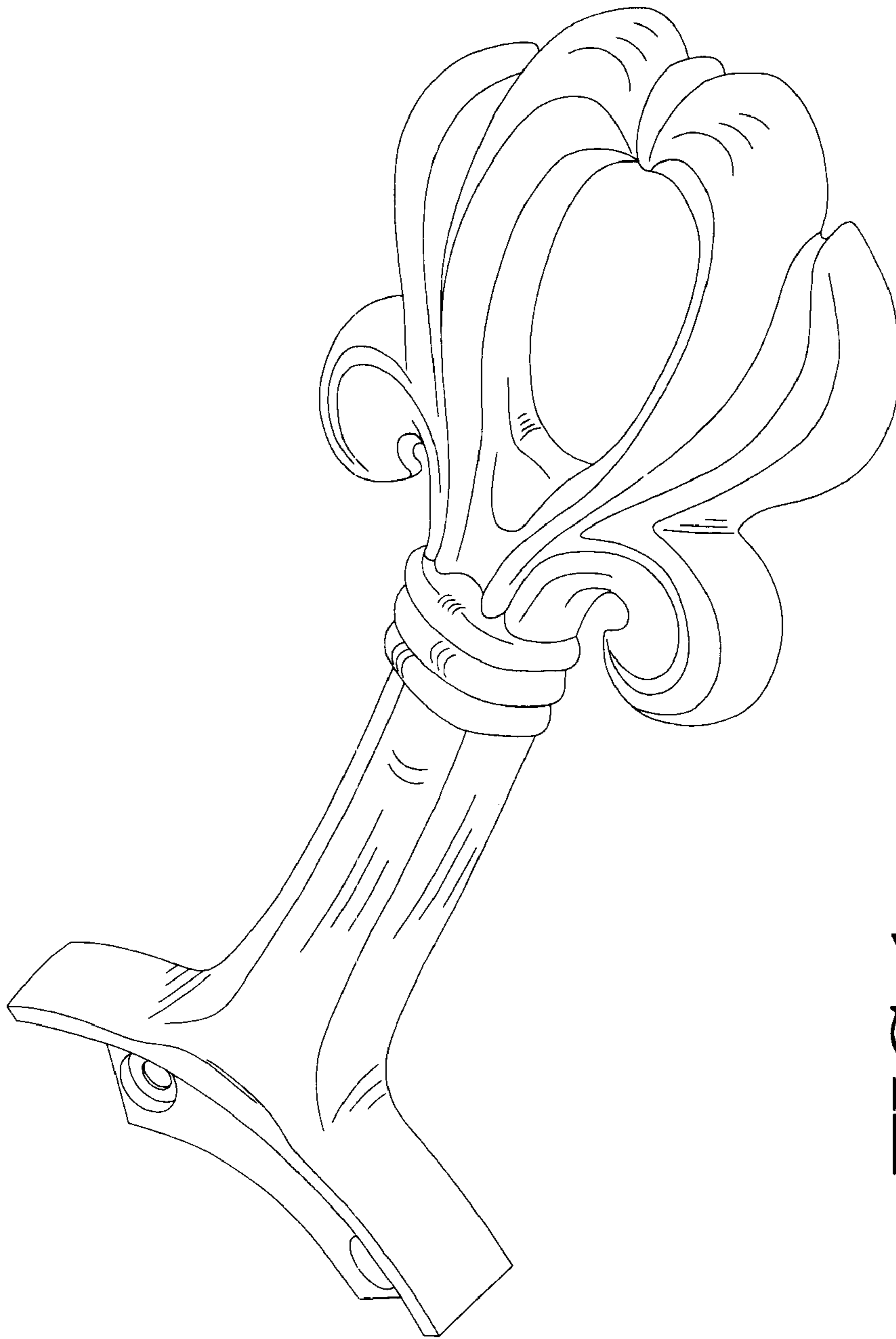


FIG. 1

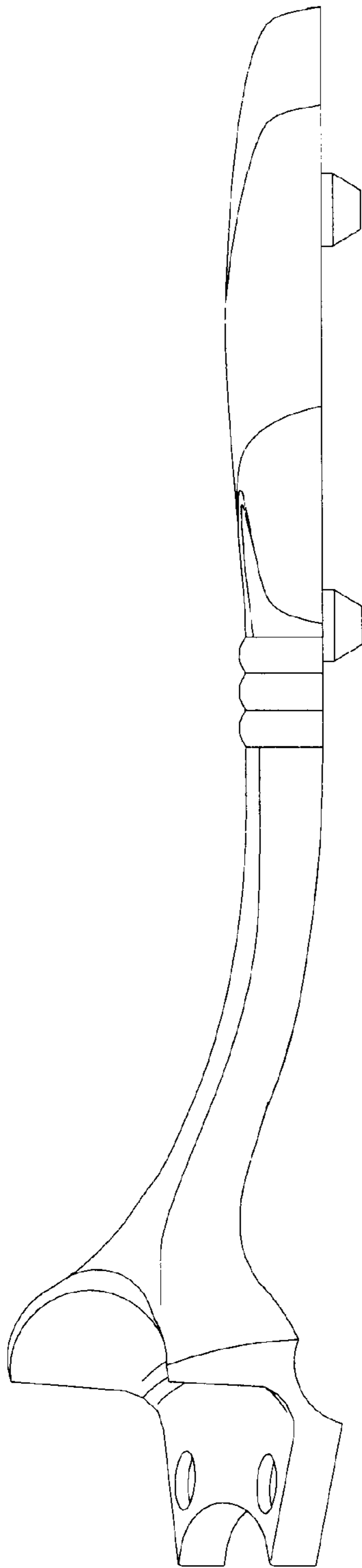


FIG.2

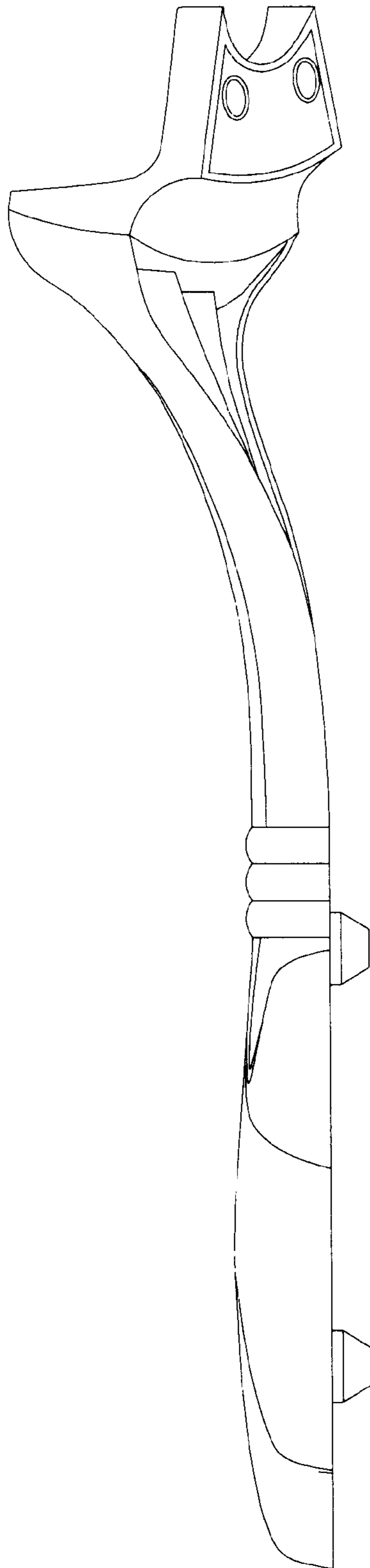


FIG.3

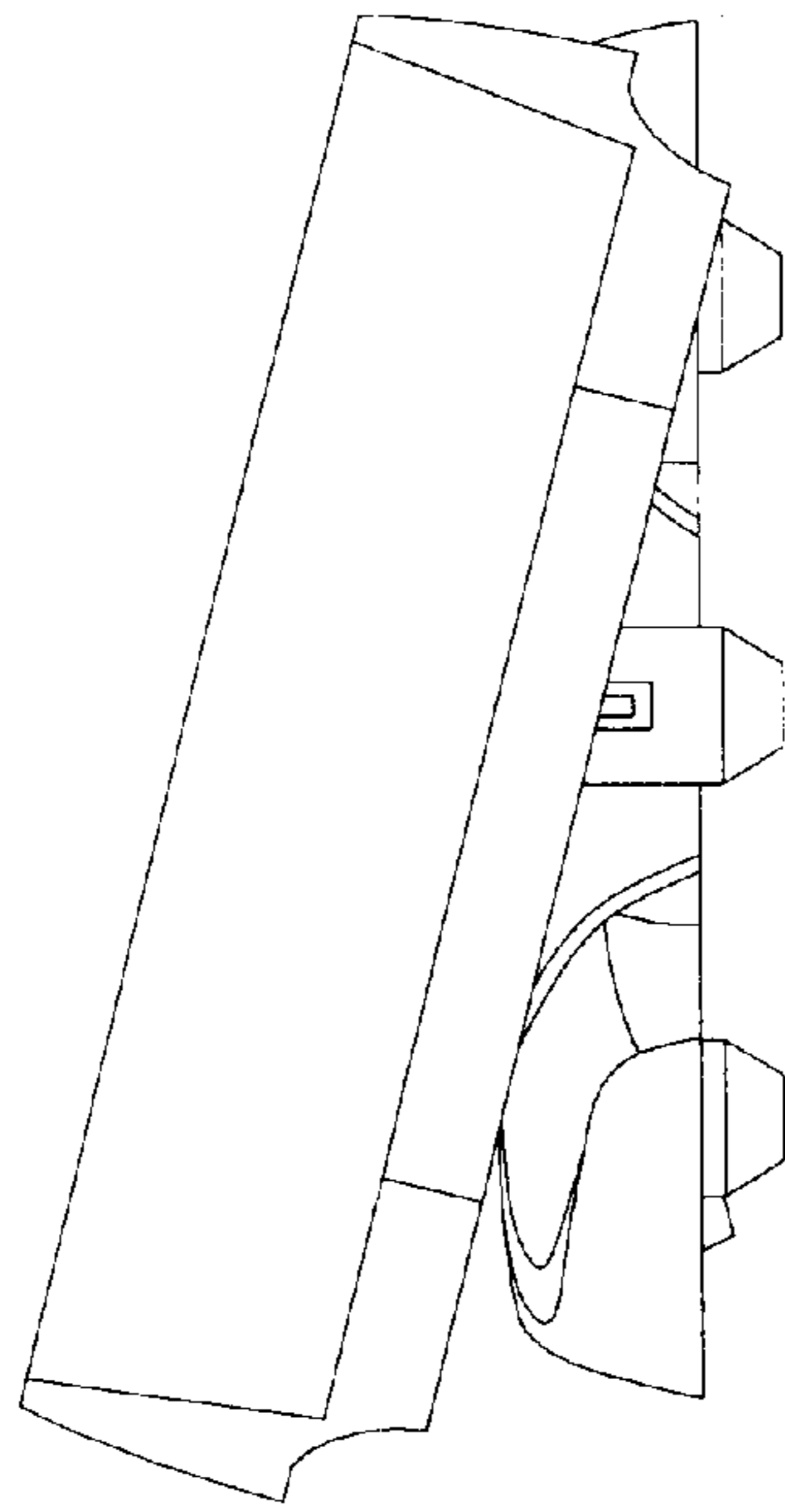


FIG.4

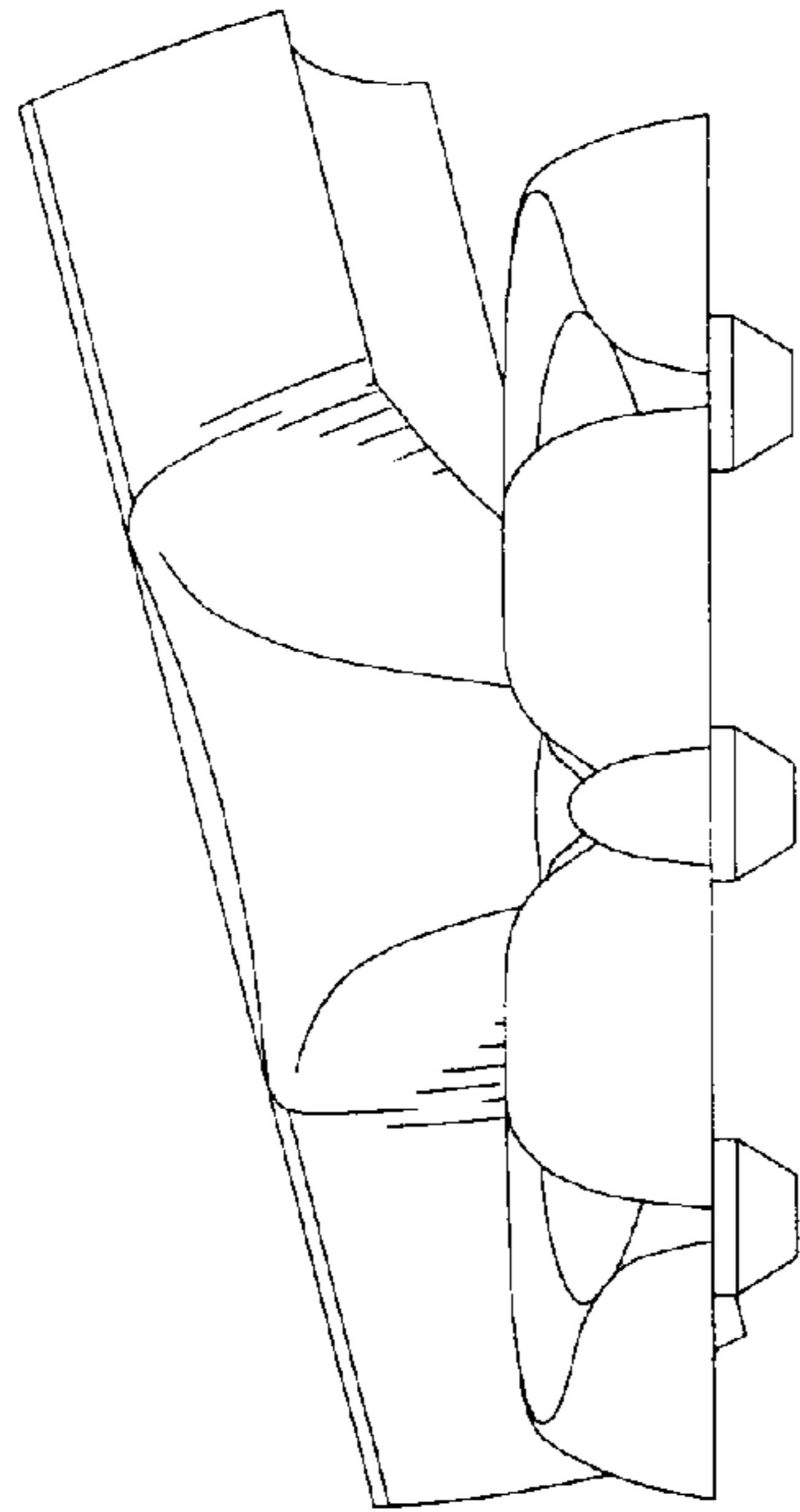


FIG. 5

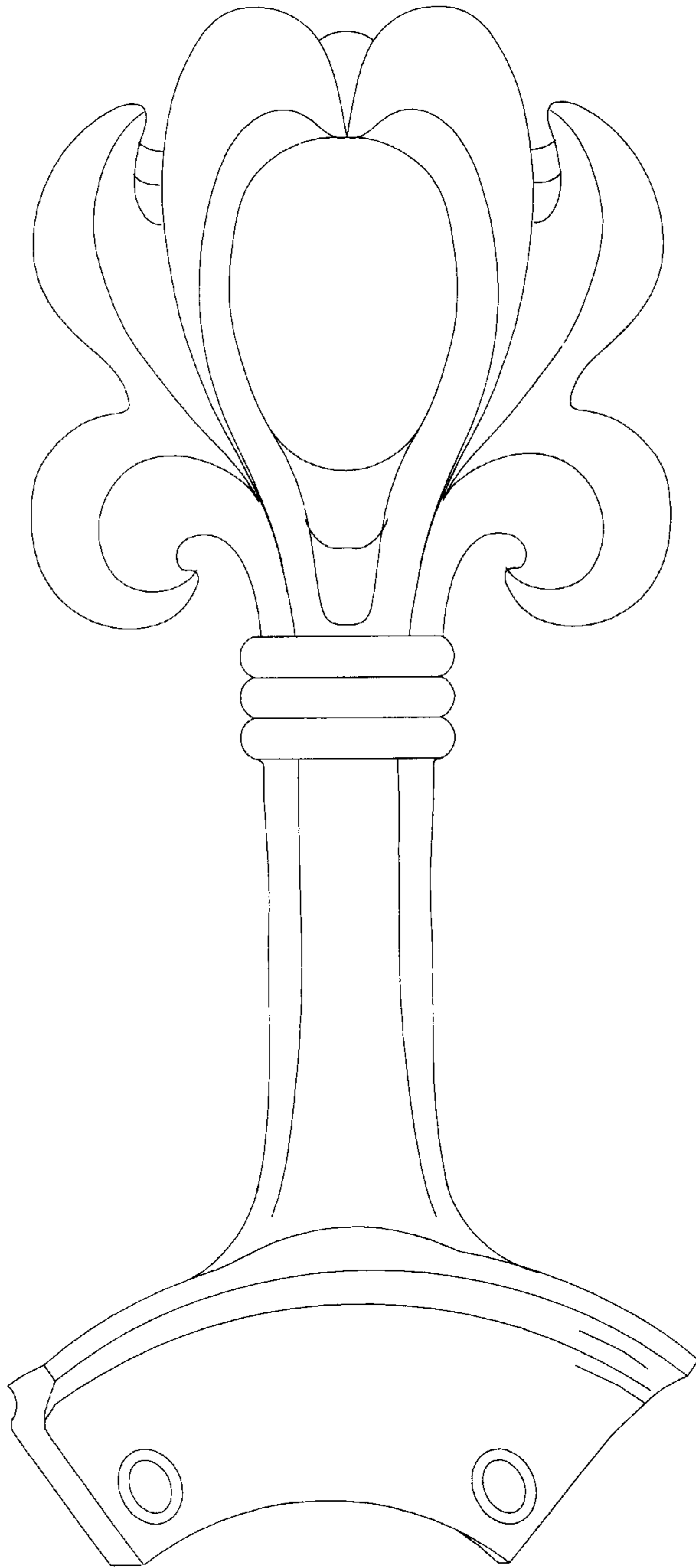


FIG.6

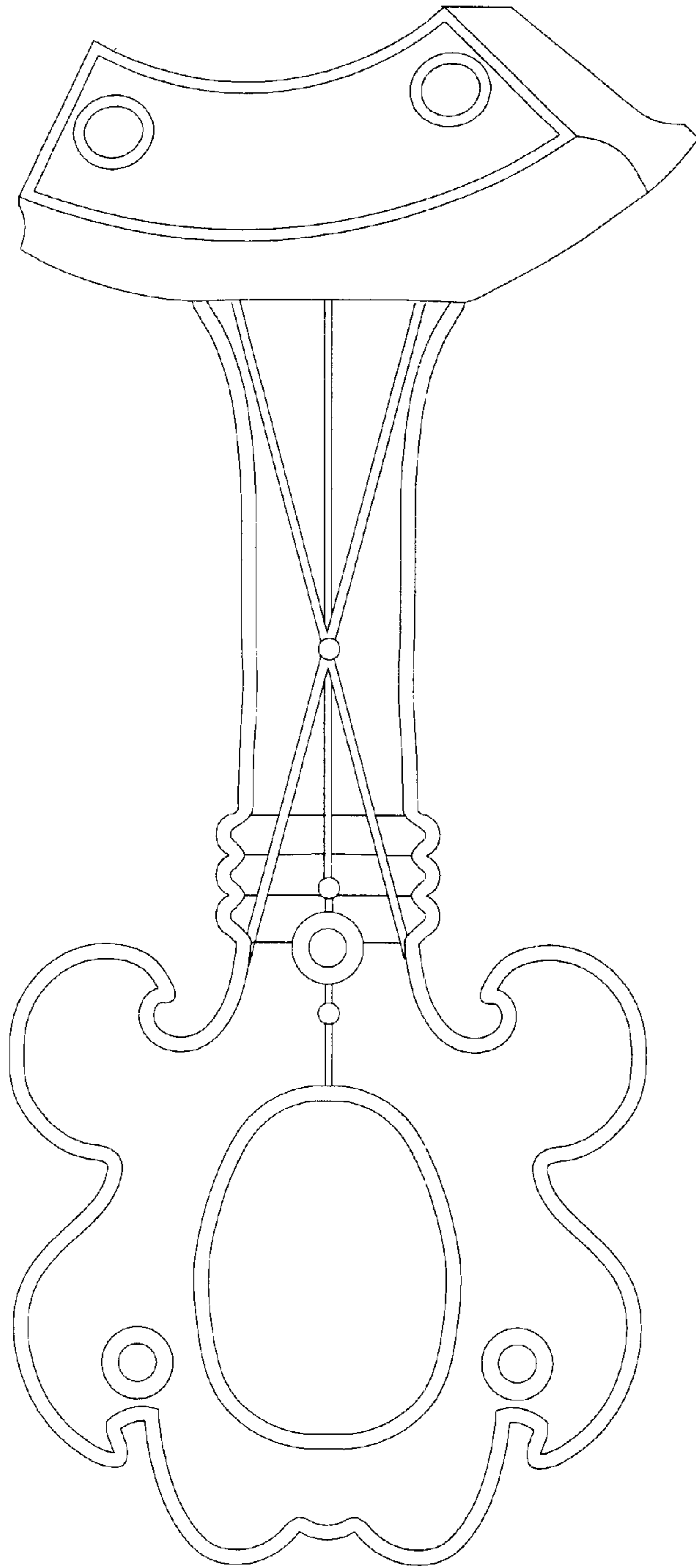


FIG. 7