



US00D486217S

(12) **United States Design Patent**
Shapiro

(10) **Patent No.:** **US D486,217 S**

(45) **Date of Patent:** **** Feb. 3, 2004**

(54) **TAPERED TOWER FAN**

(75) Inventor: **Barry Shapiro**, Doylestown, PA (US)

(73) Assignee: **Lasko Holdings, Inc.**, Wilmington, DE (US)

(**) Term: **14 Years**

(21) Appl. No.: **29/183,271**

(22) Filed: **Jun. 10, 2003**

(51) **LOC (7) Cl.** **23-04**

(52) **U.S. Cl.** **D23/378**

(58) **Field of Search** D23/370, 378,
D23/332, 381, 335; 416/247 R, 246 R,
244 R; 392/365, 367; 415/53.1-53.3

(56) **References Cited**

U.S. PATENT DOCUMENTS

D322,669 S * 12/1991 Yamamoto et al. D23/378

D479,593 S * 9/2003 Fok D23/378

D479,743 S * 9/2003 Fok D23/378

* cited by examiner

Primary Examiner—Lisa Lichtenstein

(74) *Attorney, Agent, or Firm*—RatnerPrestia

(57) **CLAIM**

The ornamental design for tapered tower fan, as shown and described.

DESCRIPTION

FIG. 1 is a right side front perspective view of a tapered tower fan showing my new design;

FIG. 2 is a right side rear perspective view thereof;

FIG. 3 is a front elevation view thereof;

FIG. 4 is a side elevation view thereof, the opposite side being a mirror image of that shown;

FIG. 5 is a rear elevation view thereof; and,

FIG. 6 is a top plan view thereof.

The broken line showing of environmental structure in FIGS. 1-6 is for illustrative purposes only and forms no part of the claimed design.

1 Claim, 6 Drawing Sheets

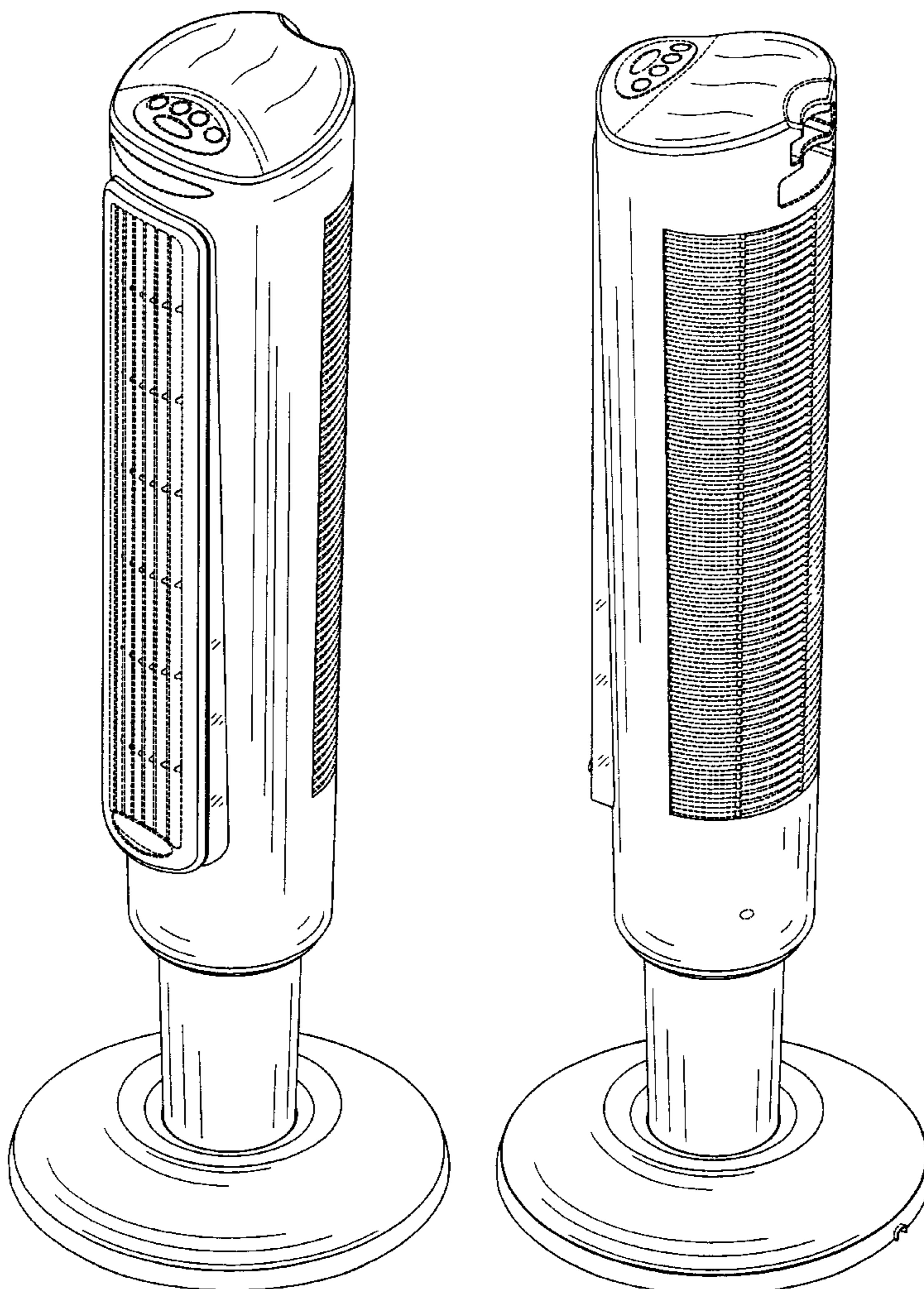


FIG. 1

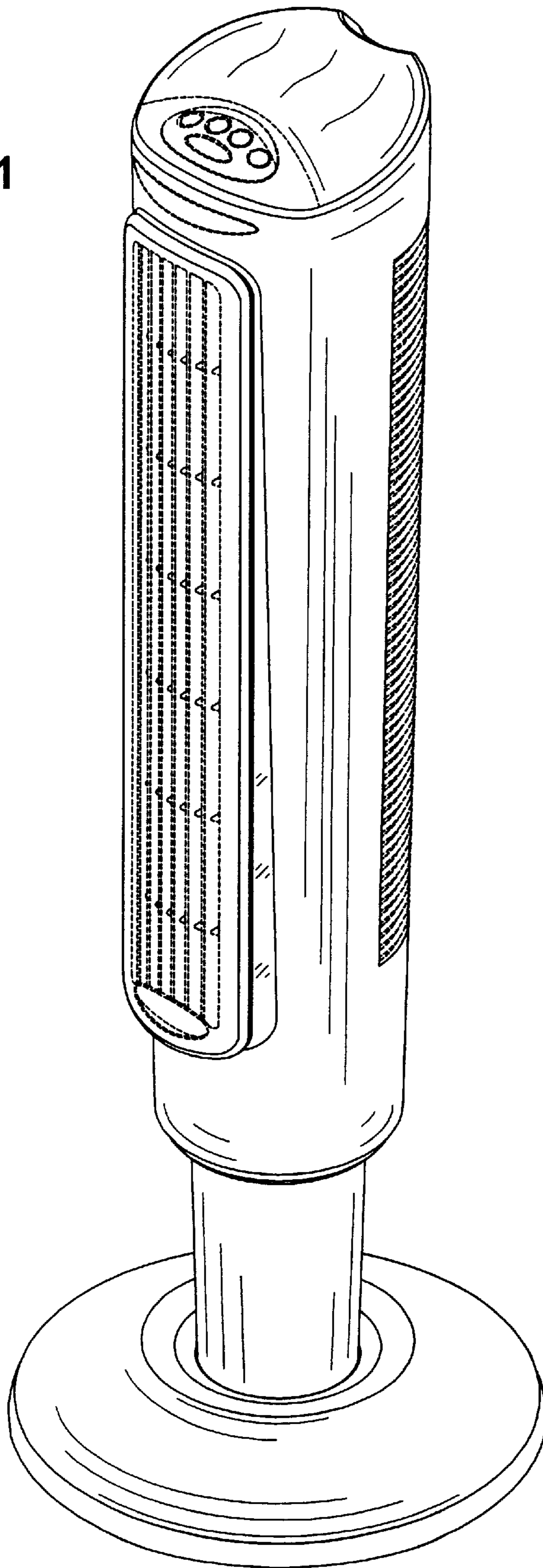


FIG. 2

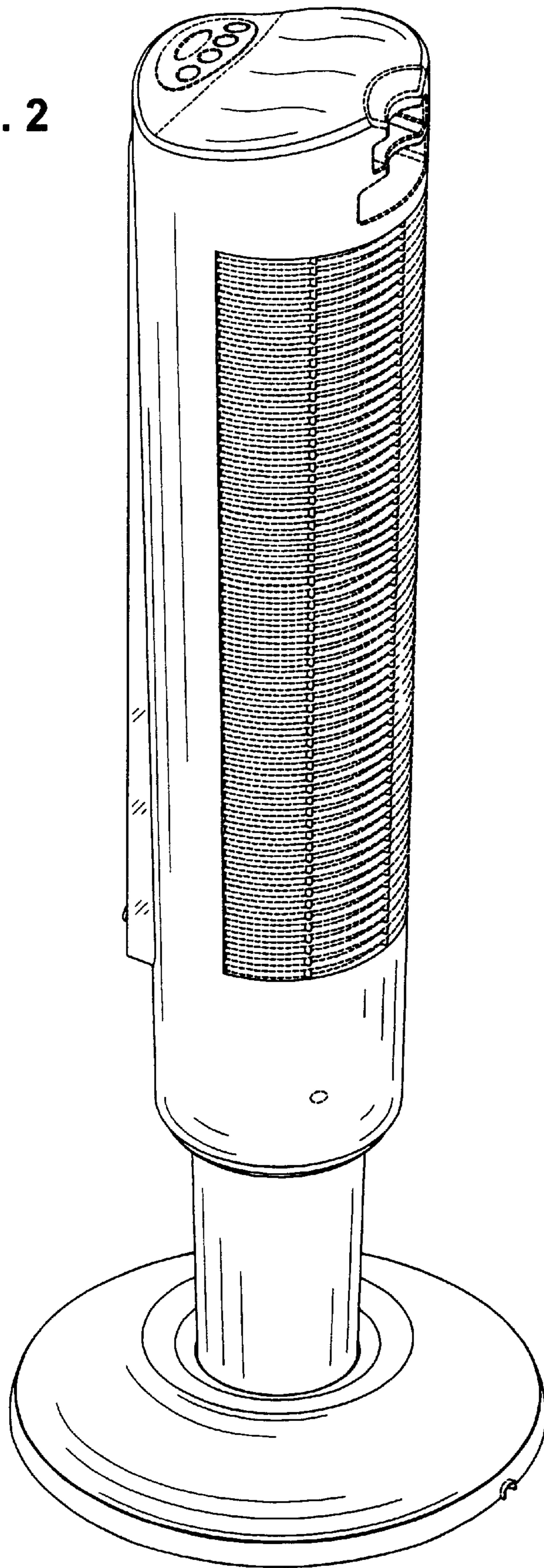


FIG. 3

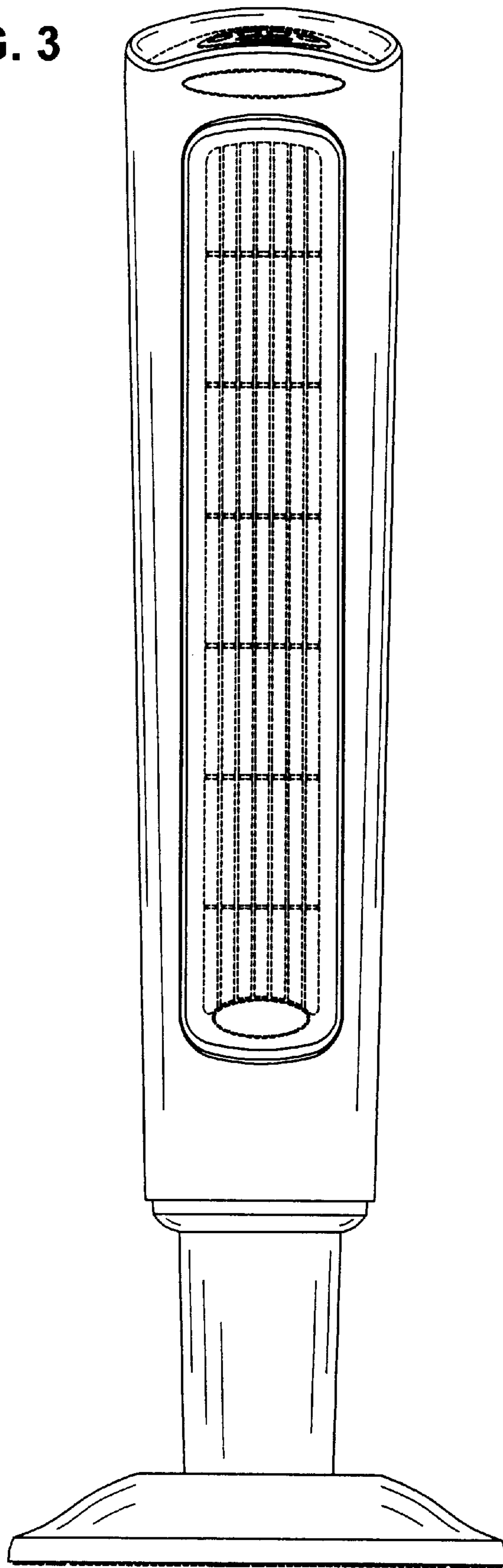


FIG. 4

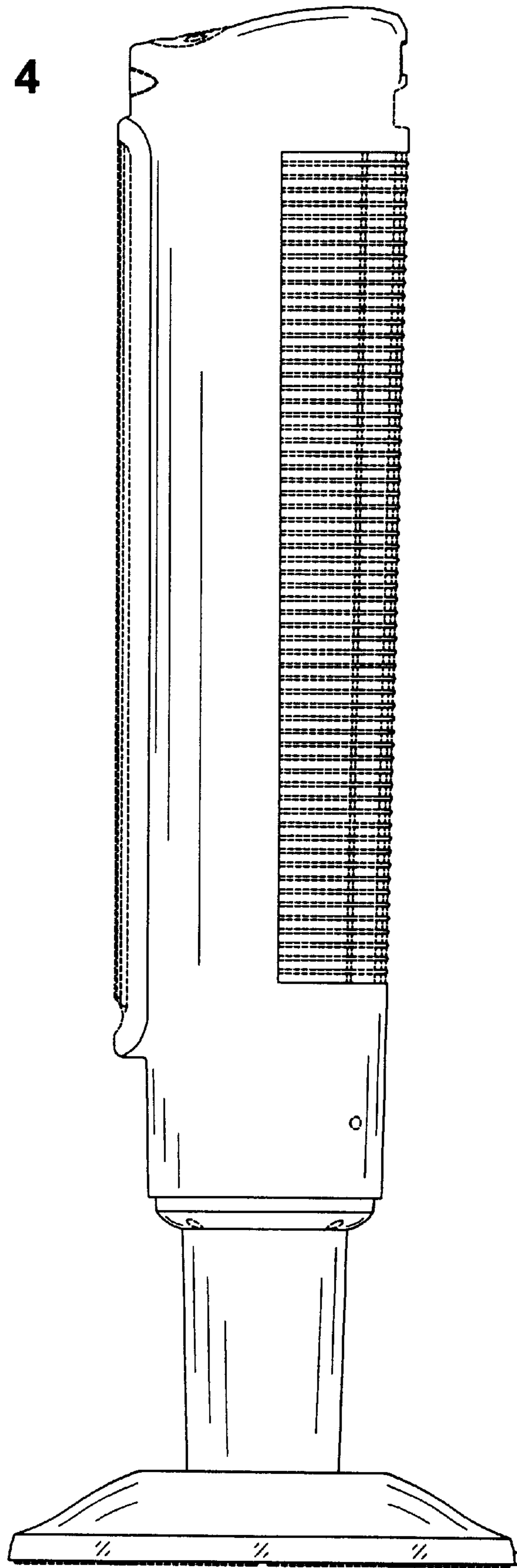
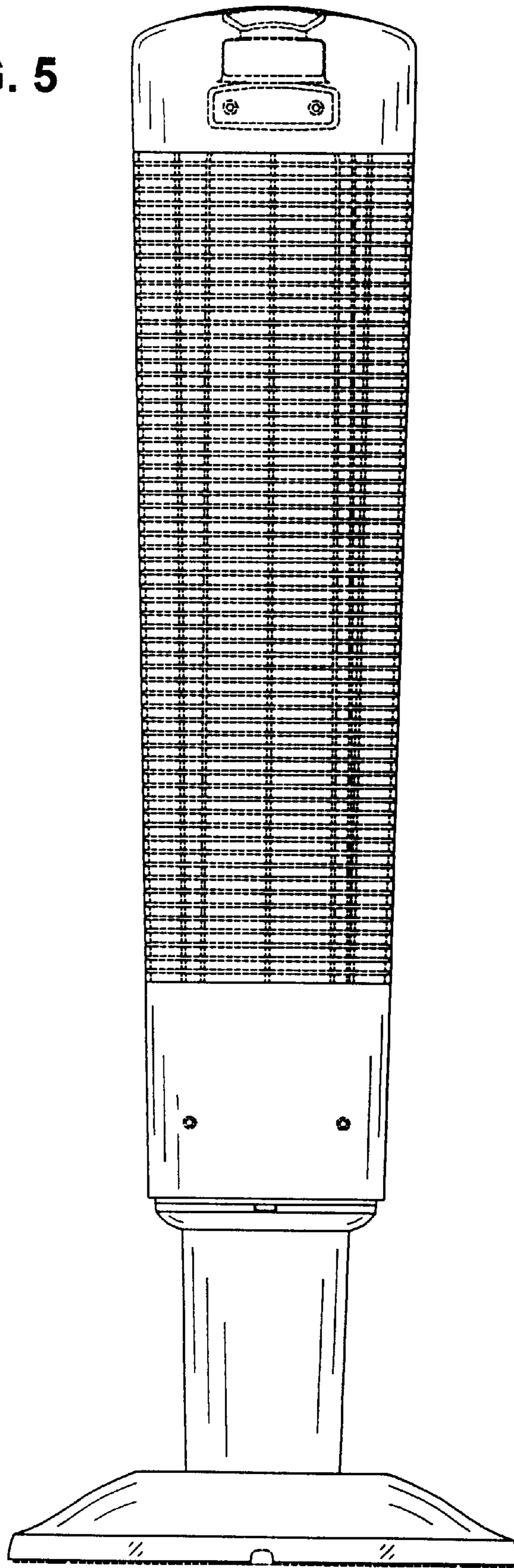


FIG. 5



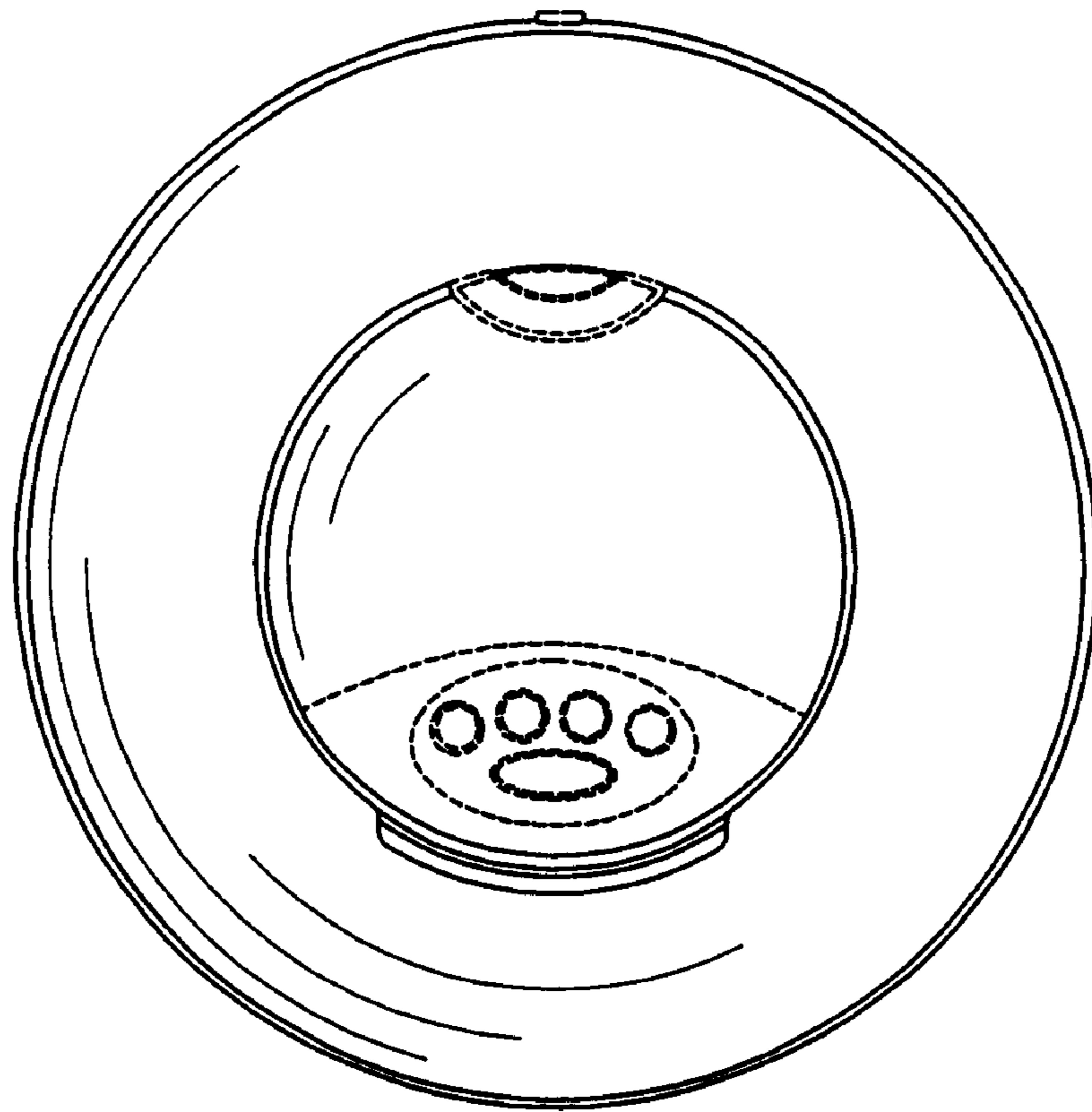


FIG. 6